

[54] **TABLE**

[75] **Inventor:** Edsel E. Murry, Christiana, Tenn.

[73] **Assignee:** Samsonite Corporation, Denver, Colo.

[**] **Term:** 14 Years

[21] **Appl. No.:** 511,045

[22] **Filed:** Jul. 5, 1983

[52] **U.S. Cl.** D6/487; D6/455

[58] **Field of Search** D6/449, 455, 456, 480, D6/486, 487

[56] **References Cited**

U.S. PATENT DOCUMENTS

- D. 210,606 3/1968 Hamilton et al. D6/487 X
- D. 235,953 7/1975 Uyeda D6/487
- D. 263,908 4/1982 Imber D6/487 X

OTHER PUBLICATIONS

Landes Catalog, p. 11, Table No. 851c.

Primary Examiner—Bruce W. Dunkins
Attorney, Agent, or Firm—D. Michael Clayton

[57] **CLAIM**

The ornamental design for a table, as shown and described.

DESCRIPTION

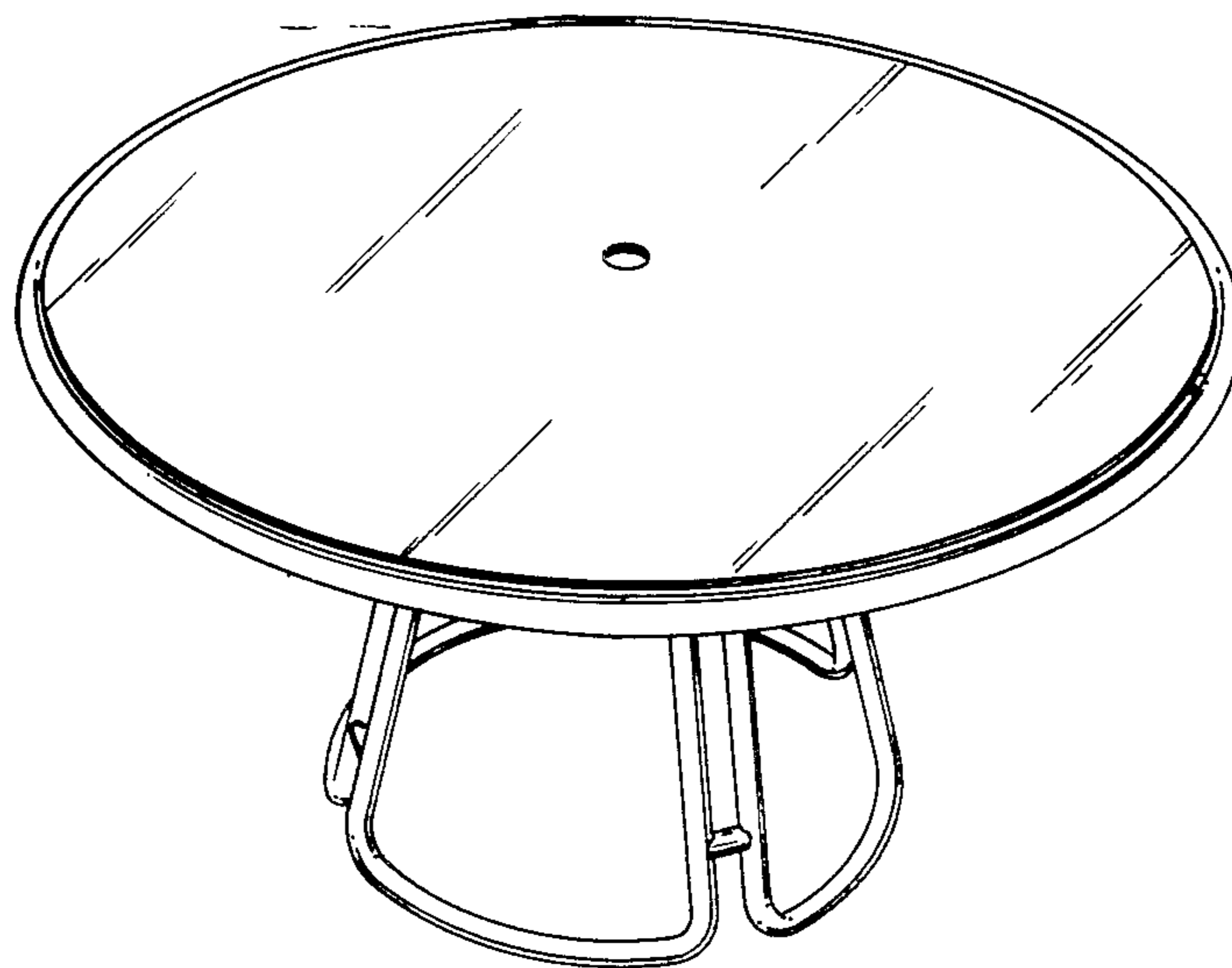
FIG. 1 is a perspective view of a table showing my new design;

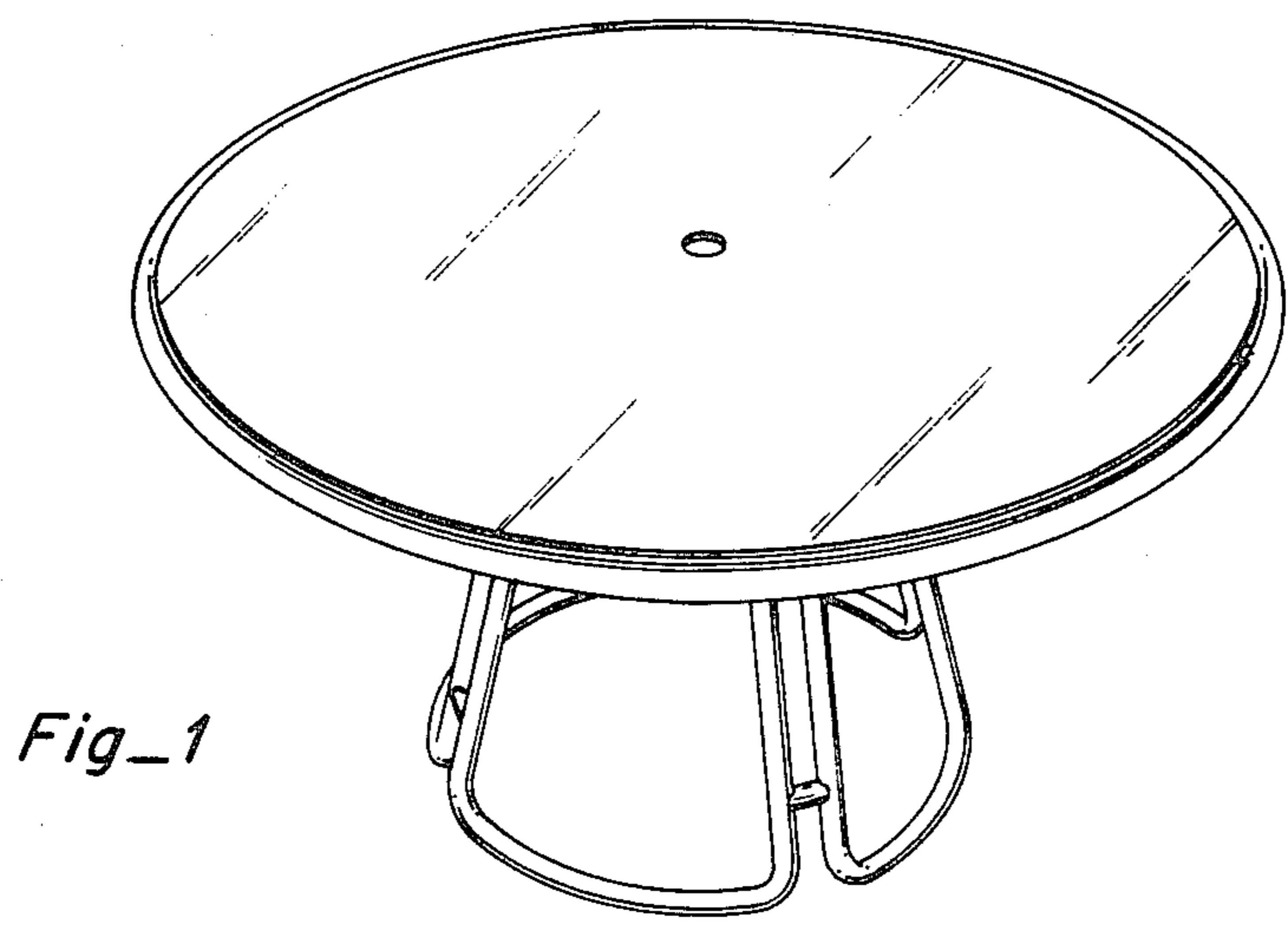
FIG. 2 is a top plan view thereof;

FIG. 3 is a bottom plan view thereof;

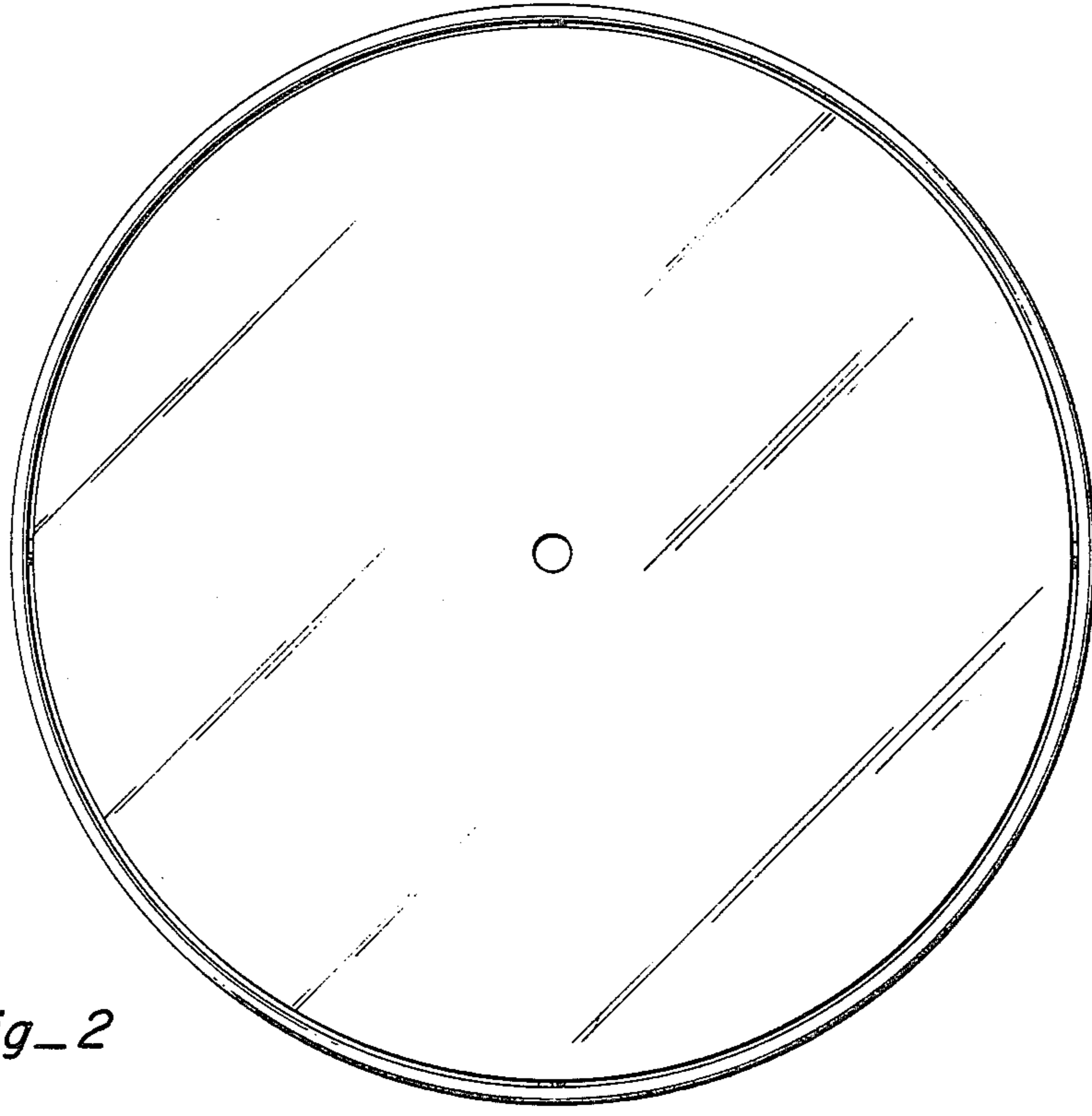
FIG. 4 is a left end elevational view thereof, the opposite end being a mirror image thereof; and

FIG. 5 is a front elevational view thereof, the rear elevational view being a mirror image thereof.

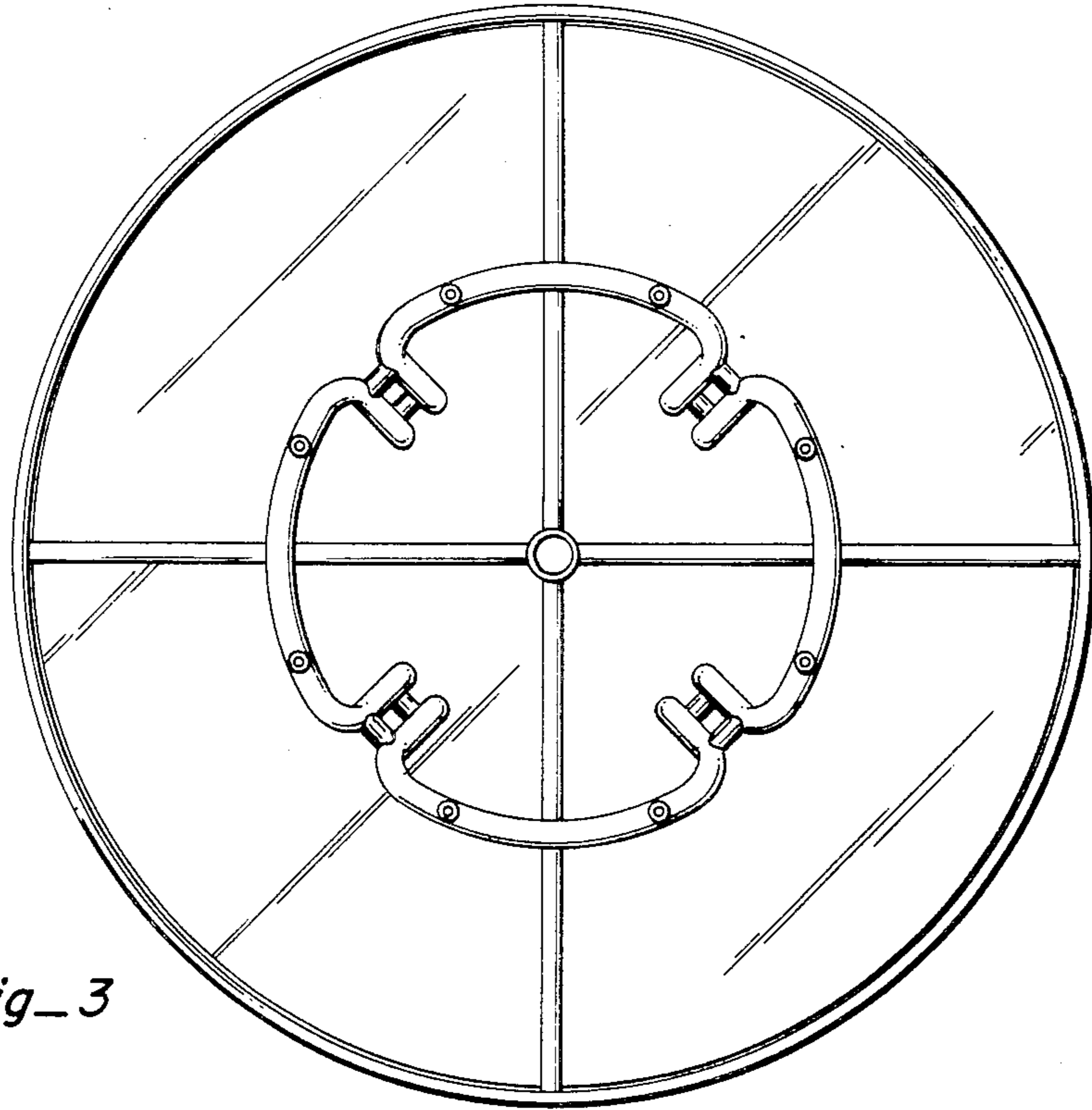




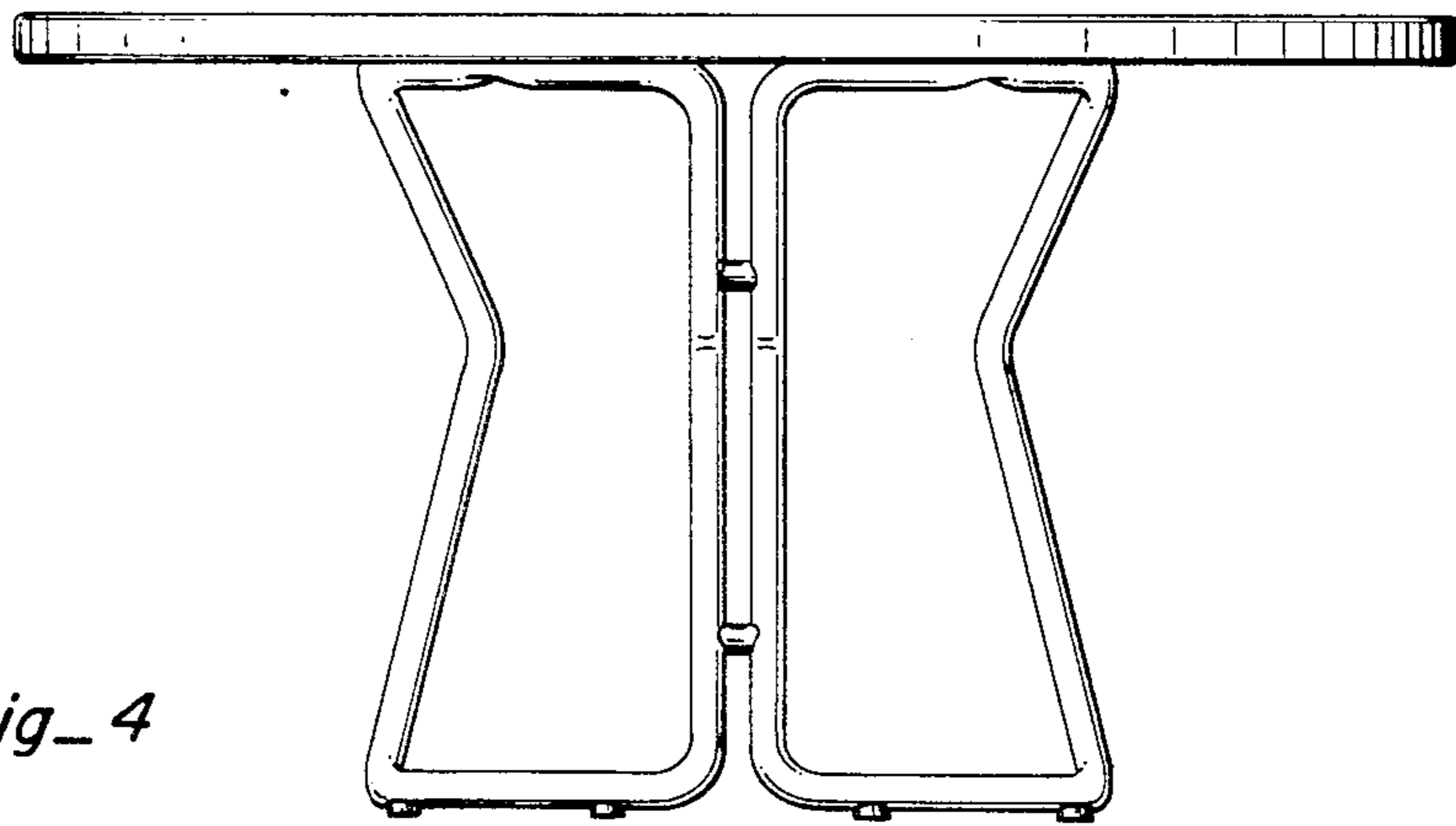
Fig_1



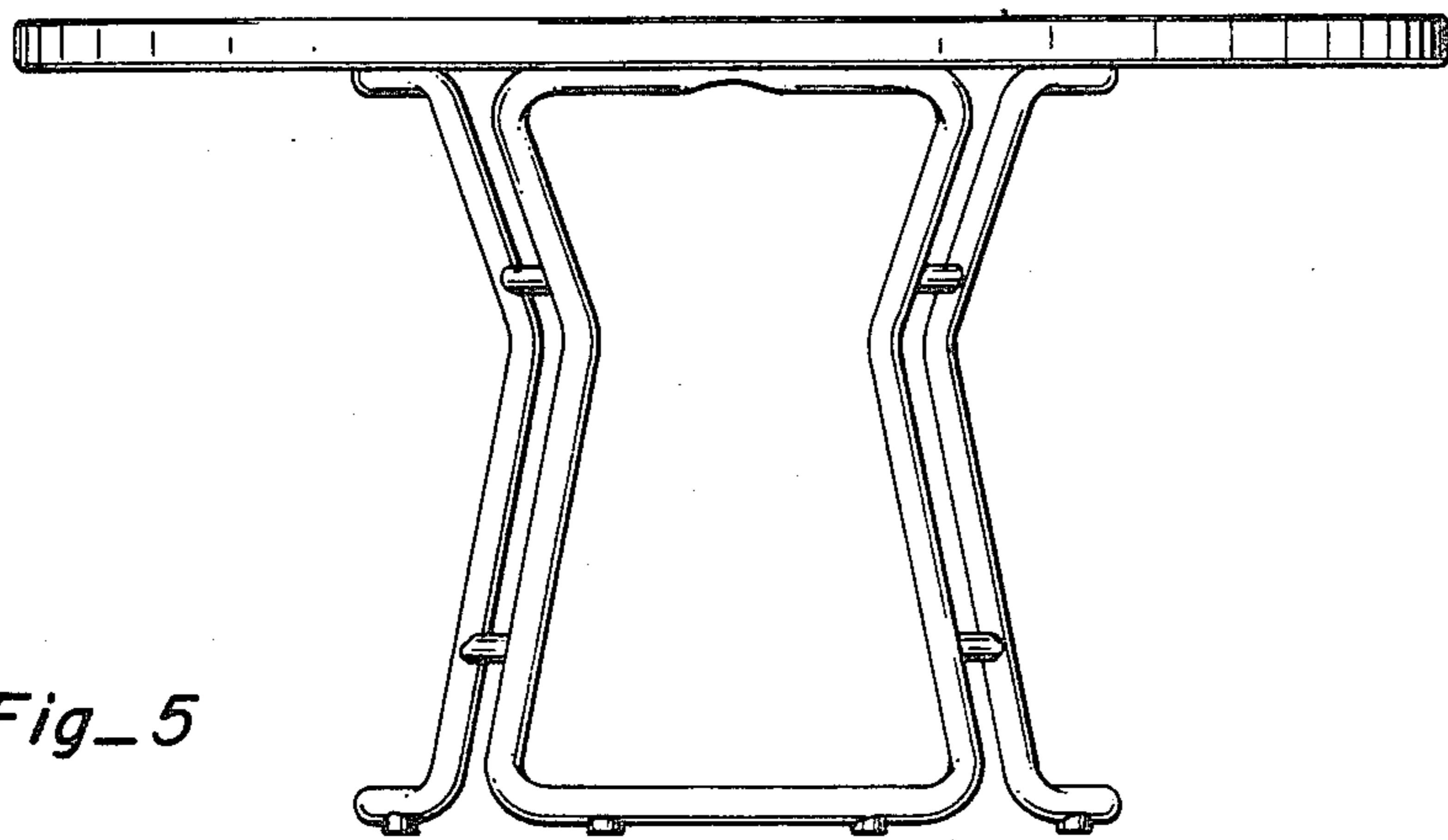
Fig_2



Fig_3



Fig_4



Fig_5