

[54] **ROTATING TOOL STORAGE CABINET**

[75] **Inventor:** Jerry G. Cartwright, Ellwood City, Pa.

[73] **Assignee:** Wesco Manufacturing, Inc., Aurora, Ill.

[ \* ] **Notice:** The portion of the term of this patent subsequent to Feb. 5, 1999 has been disclaimed.

[\*\*] **Term:** 14 Years

[21] **Appl. No.:** 410,851

[22] **Filed:** Aug. 23, 1982

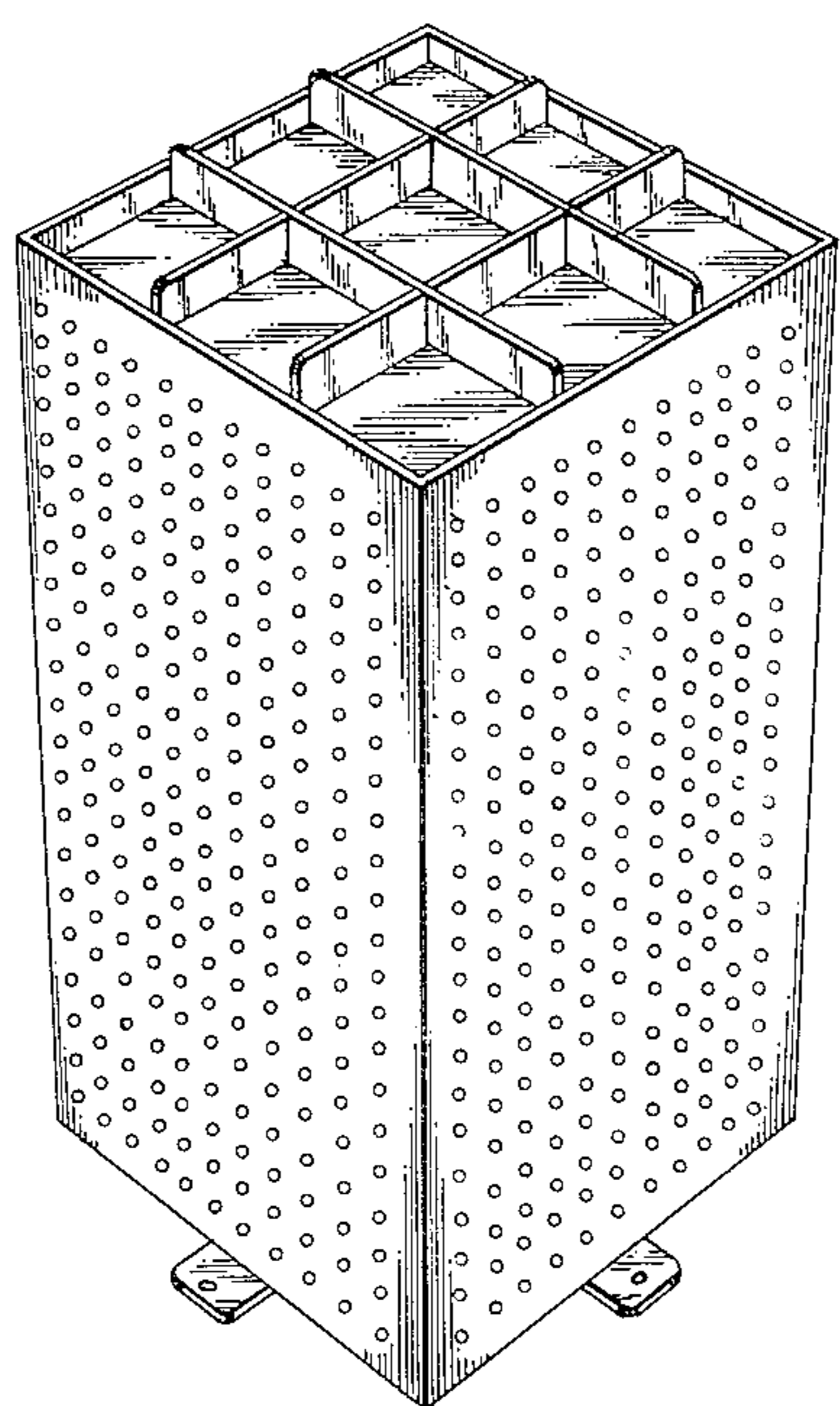
[52] **U.S. Cl.** ..... D6/469; D6/476

[58] **Field of Search** ..... D6/85, 20, 25, 27, 29, D6/157, 181, 186, 188, 466, 467, 468, 469, 475, 476, 449; 206/44 R; 211/144, 163

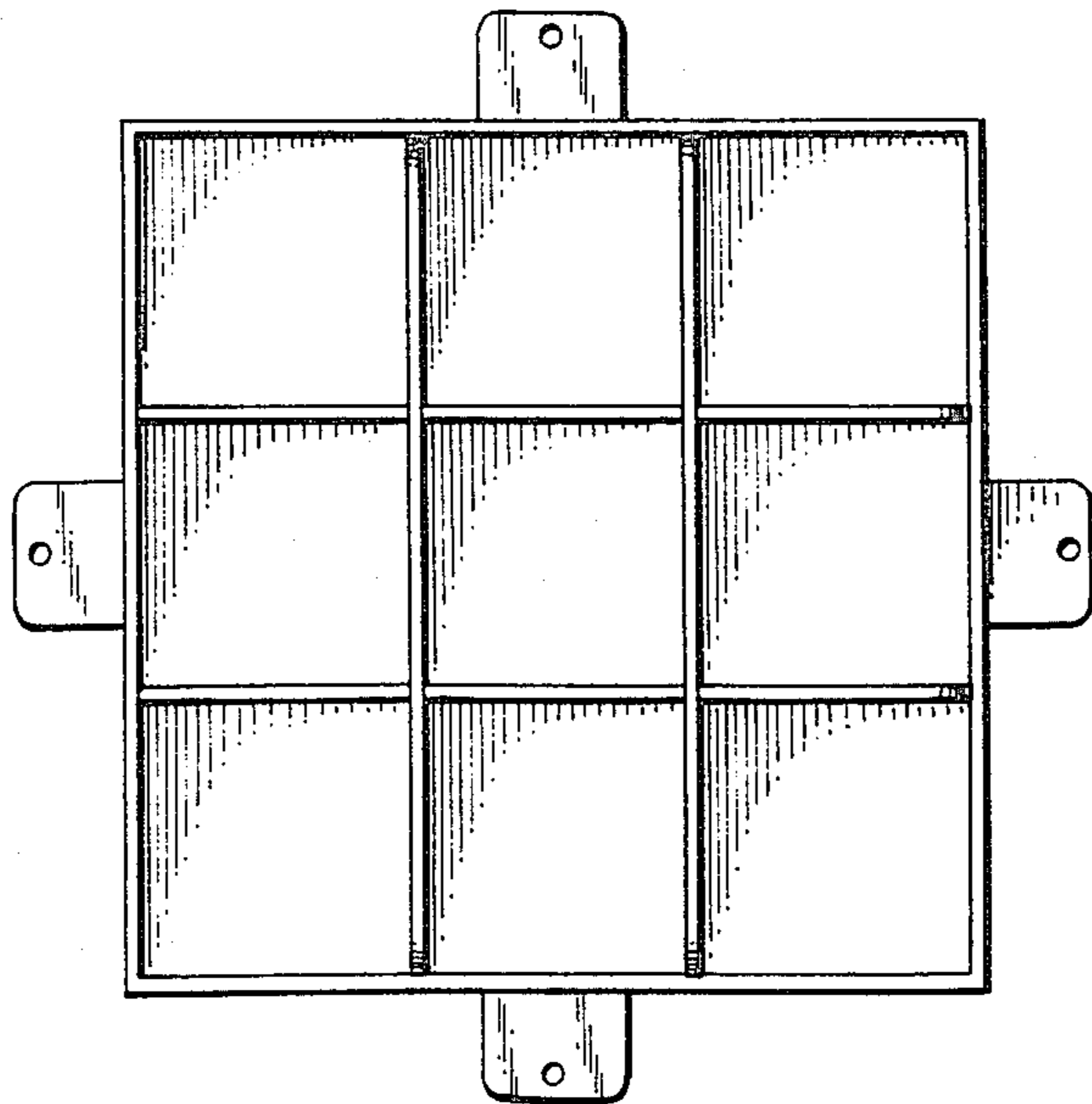
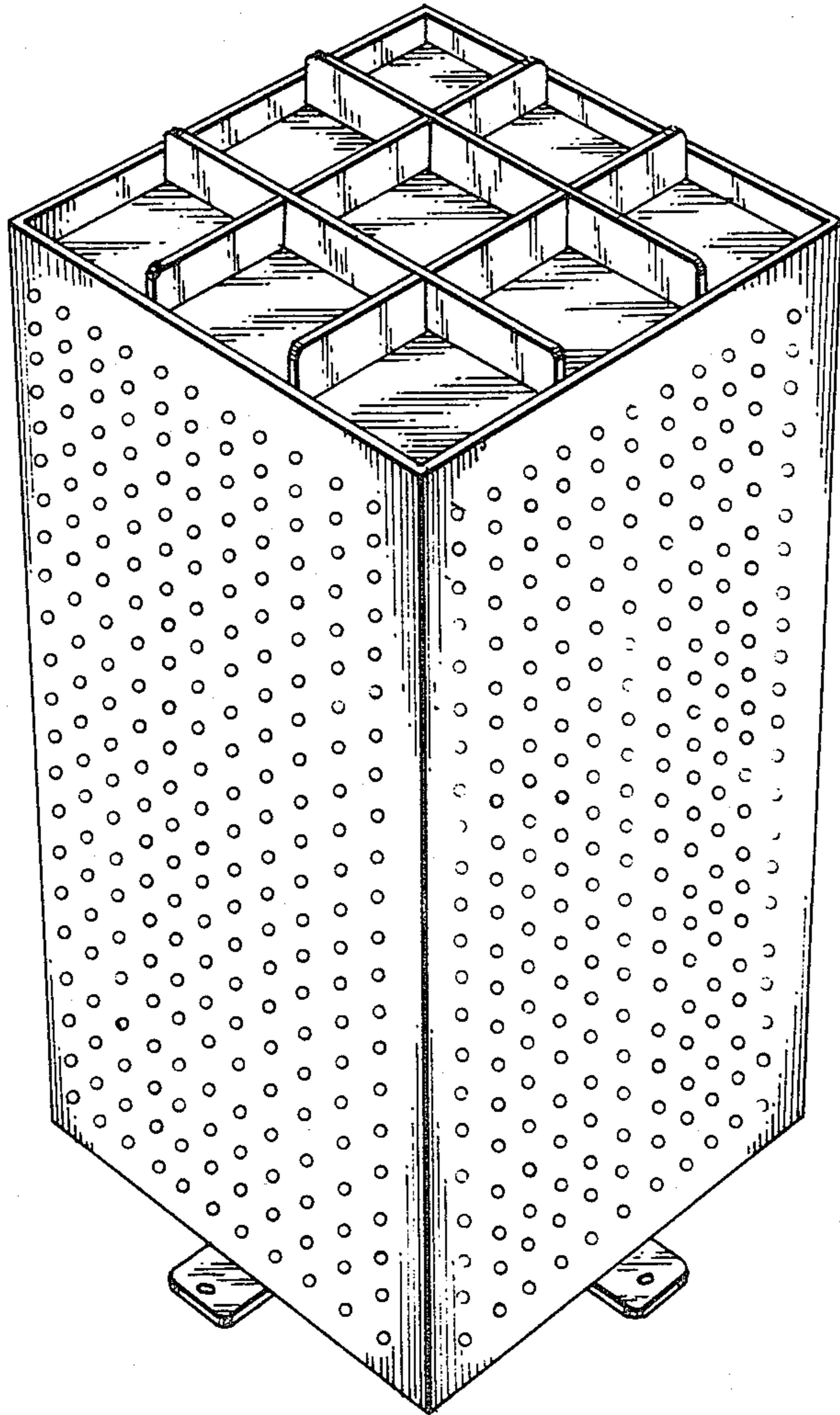
[56] **References Cited**  
**PUBLICATIONS**  
*Hardware Age*, Sep. 1978, p. 49; Rotating Rack on page.  
*Primary Examiner*—Carmen H. Vales  
*Attorney, Agent, or Firm*—Emrich & Dithmar

[57] **CLAIM**  
 The ornamental design for a rotating tool storage cabinet, as shown and described.

**DESCRIPTION**  
 FIG. 1 is a top, left, front perspective view of a rotating tool storage cabinet showing my new design;  
 FIG. 2 is a top plan view thereof;  
 FIG. 3 is a side elevational view, the opposite sides being identical thereto;  
 FIG. 4 is a bottom plan view thereof.

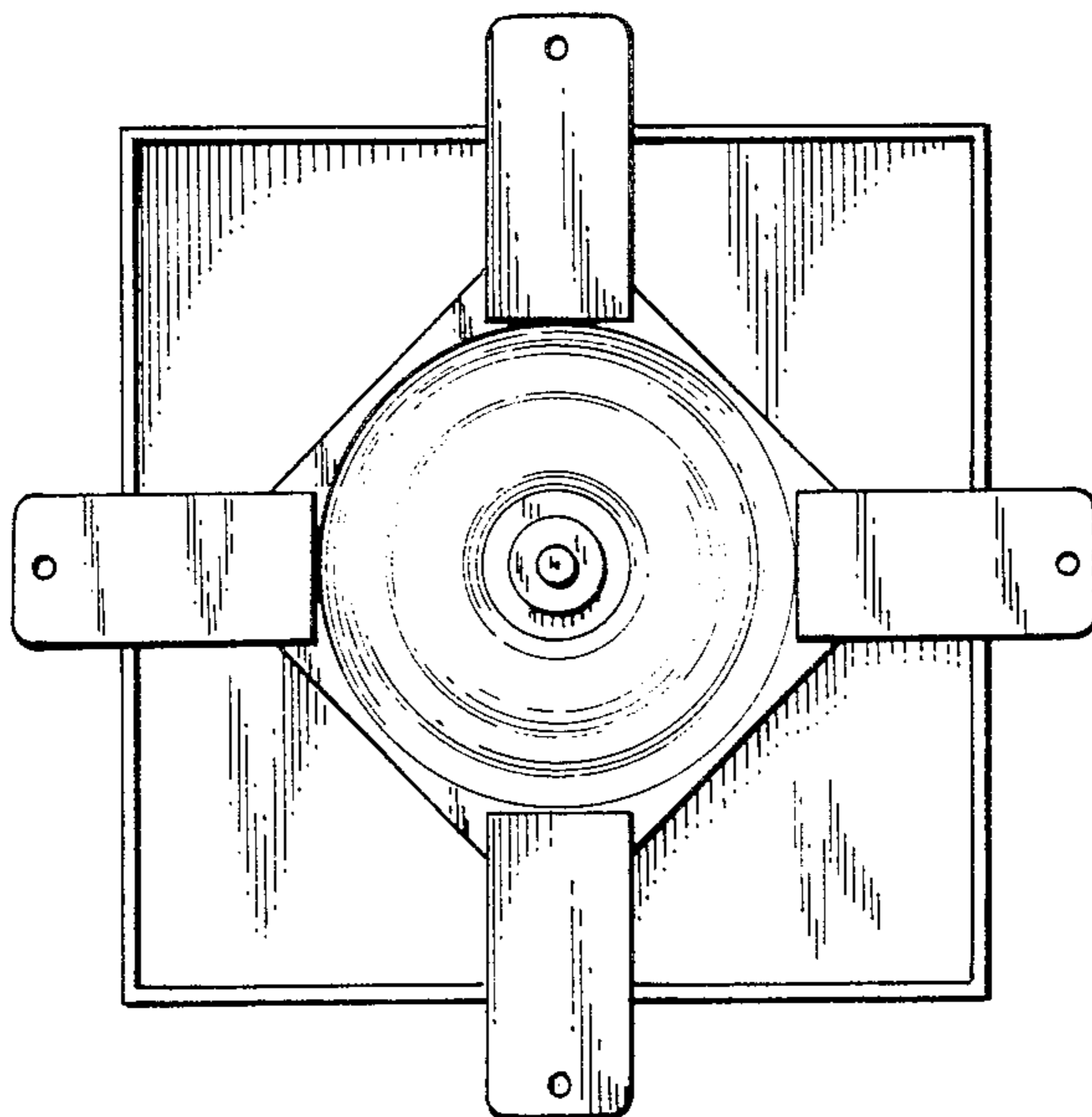
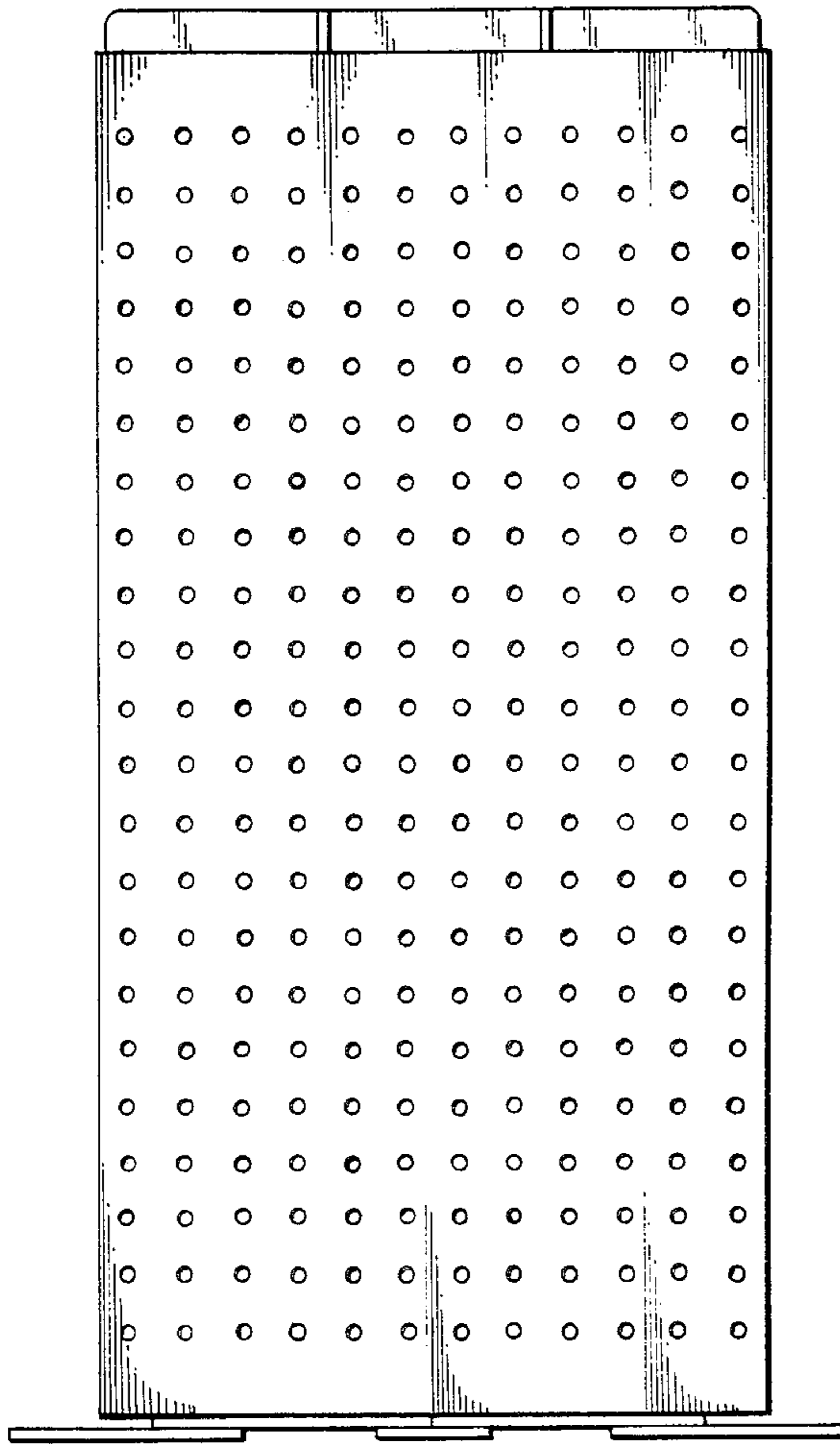


*Fig. 1*



*Fig. 2*

*Fig. 3*



*Fig. 4*