

# United States Patent [19]

Payne, Jr.

[11] Patent Number: **Des. 281,557**

[45] Date of Patent: **\*\* Dec. 3, 1985**

[54] **COFFEE TABLE**

[76] Inventor: **C. Lee Payne, Jr.**, 801 Durant Pl., NE., Atlanta, Ga. 30309

[\*\*] Term: **14 Years**

[21] Appl. No.: **514,727**

[22] Filed: **Jul. 18, 1983**

[52] U.S. Cl. .... **D6/449; D6/480; D6/482; D6/485**

[58] Field of Search ..... **D6/449, 450, 454, 466, D6/479, 480, 482, 483, 485**

[56] **References Cited**

### U.S. PATENT DOCUMENTS

D. 233,717 11/1974 Stewart ..... D6/480 X  
D. 243,371 2/1977 Abrams ..... D6/480 X

D. 255,519 6/1980 Friedman ..... D6/480 X

*Primary Examiner*—Bruce W. Dunkins  
*Attorney, Agent, or Firm*—Dale Lischer; J. Rodgers Lunsford, III

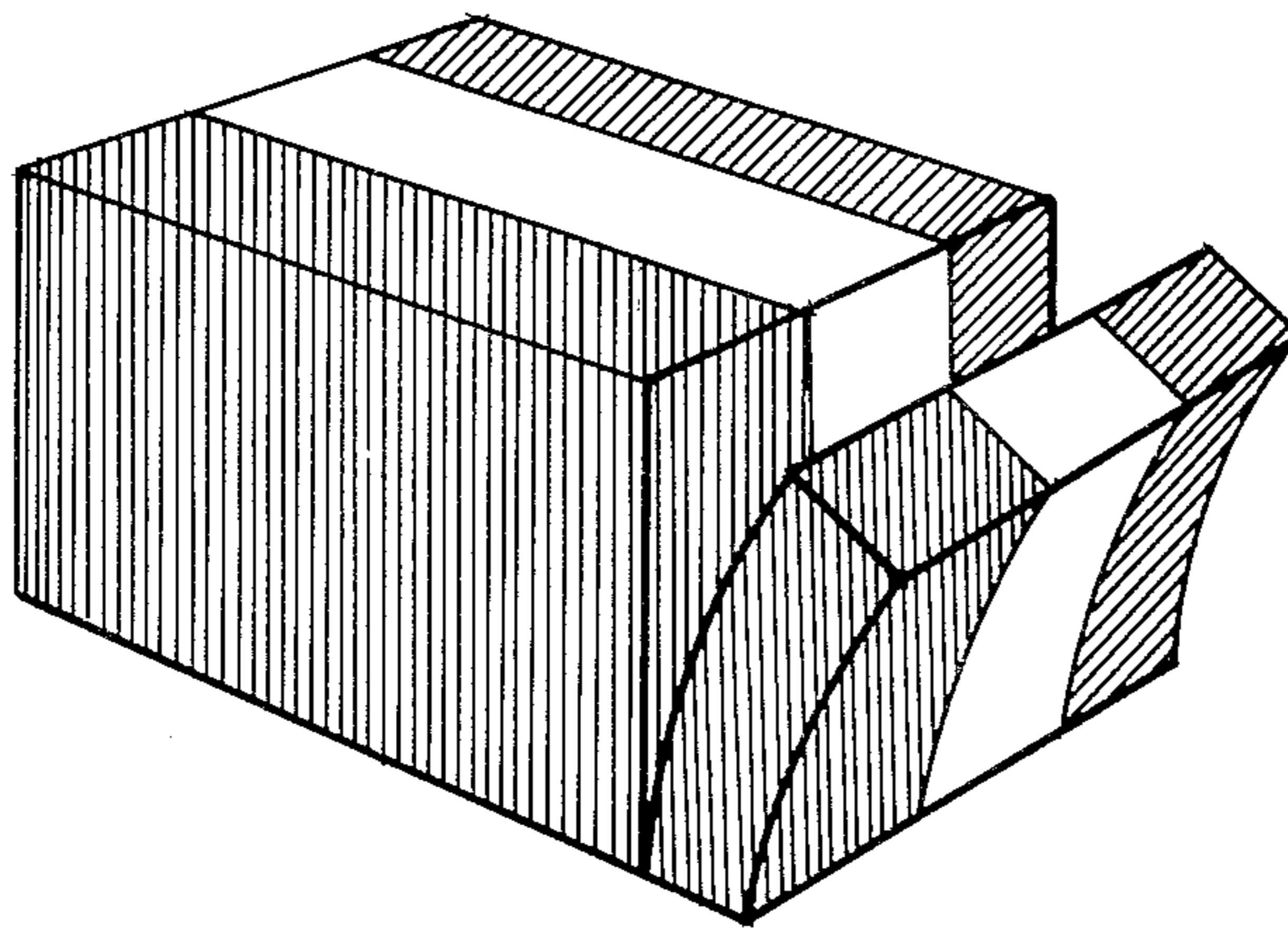
[57] **CLAIM**

The ornamental design for a coffee table, substantially as shown and described.

### DESCRIPTION

FIG. 1 is a perspective view of a coffee table showing the new design; and FIG. 2 is a side elevation view of the coffee table showing the new design.

The side of the table not shown is a mirror image of the side shown while the external surface of the undisclosed end is the same in appearance as the end shown in FIG. 1.



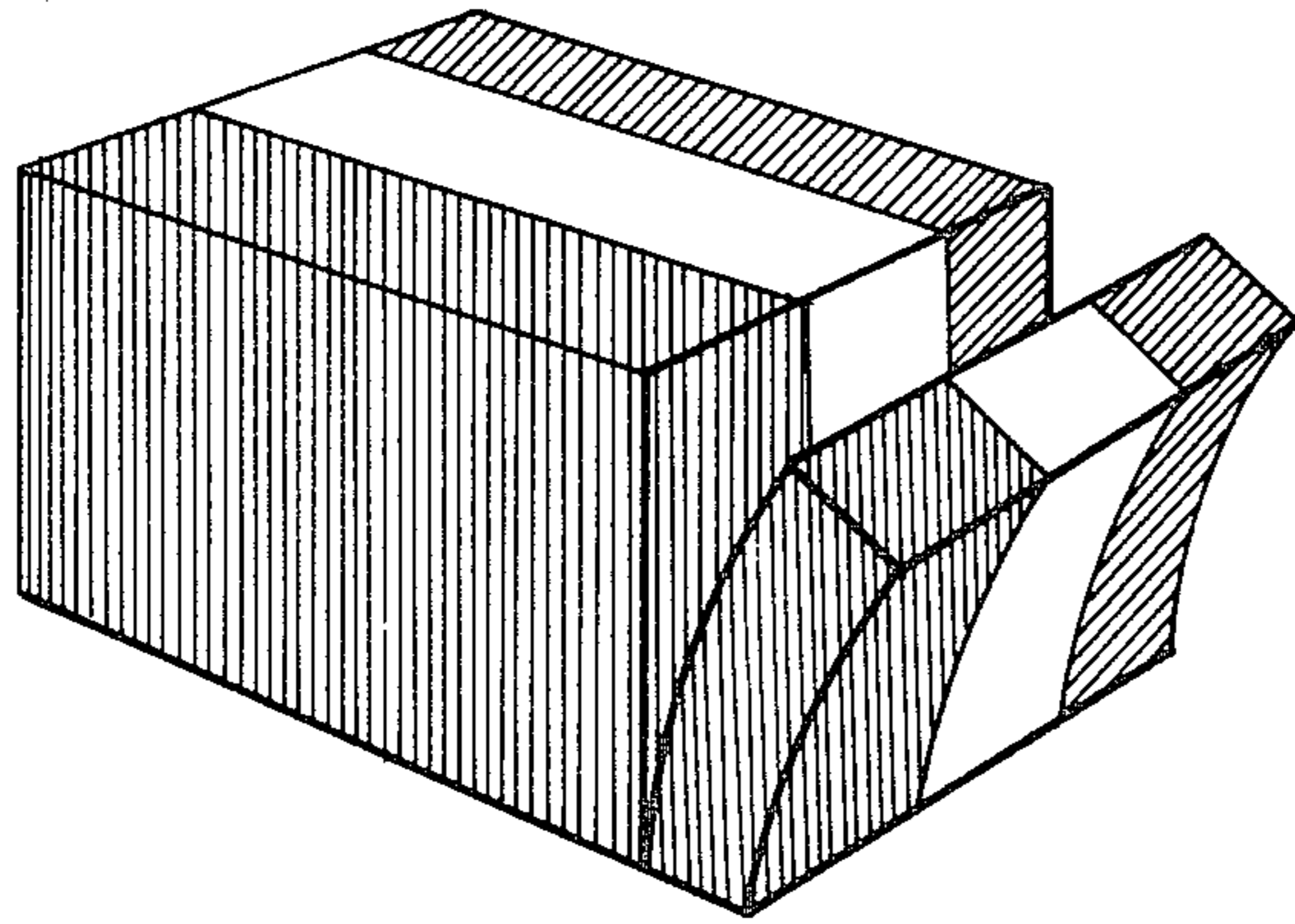


FIG. 1

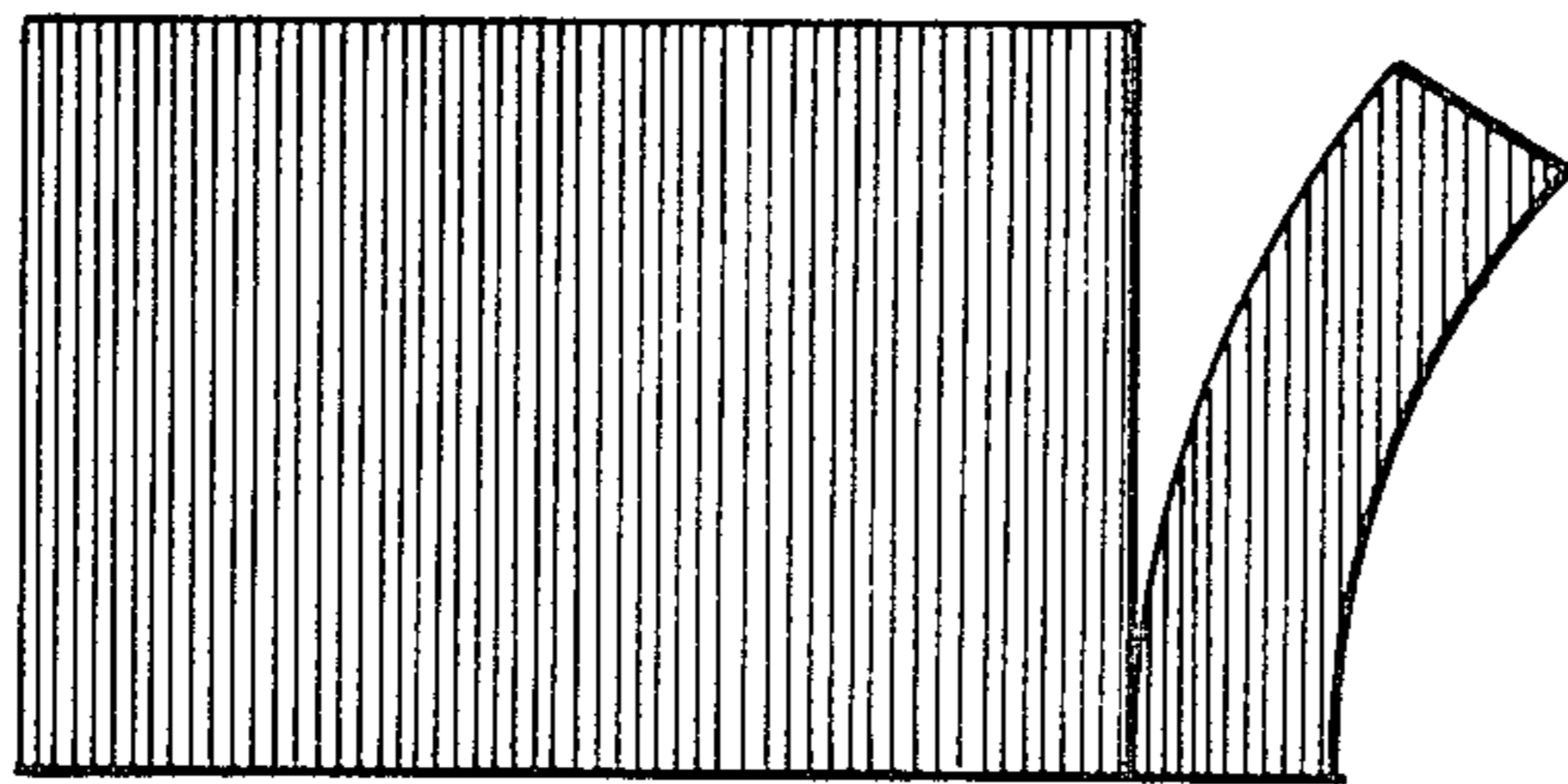


FIG. 2