

[54] MOBILE CABINET FOR VIDEO GAME AND ACCESSORIES

[76] Inventor: Clarence R. Duncan, Jr., 305 Kemp Rd. West, Greensboro, N.C. 27410

[**] Term: 14 Years

[21] Appl. No.: 369,527

[22] Filed: Apr. 19, 1982

[52] U.S. Cl. D6/429; D6/479

[58] Field of Search D6/144, 167, 168, 181, D6/186, 158, 179, 429, 430, 432, 477, 479; D34/21; 211/13; 312/114

[56] References Cited

U.S. PATENT DOCUMENTS

D. 256,296	8/1980	Beall	D6/167	X
3,294,412	12/1966	Good	D6/158	X
3,910,205	10/1975	Gusdorf	D6/179	X

OTHER PUBLICATIONS

Evans 1979/80 Catalog, p. 297; "Vertical Home Entertainment Center", Item #1, top left on page.

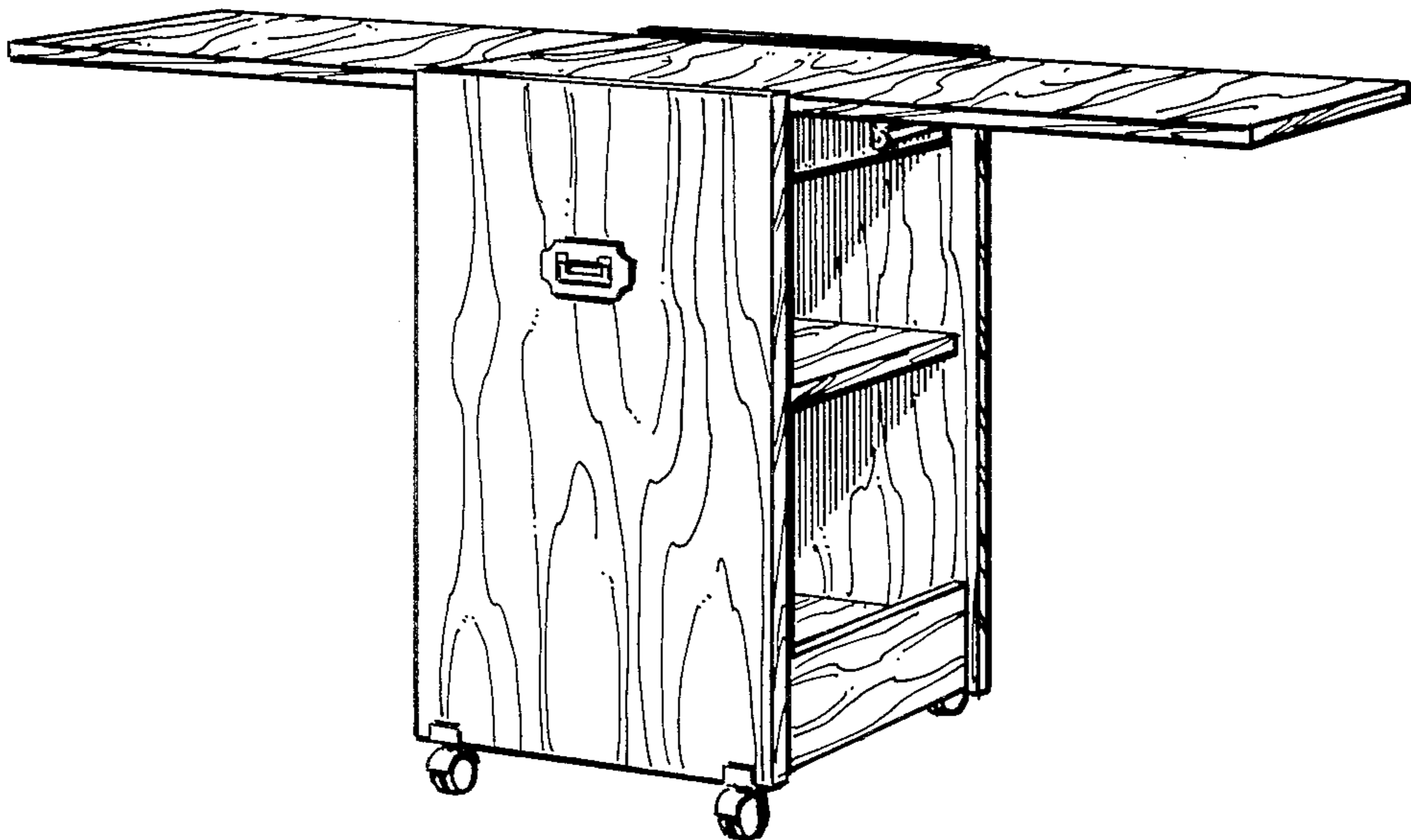
Primary Examiner—Carmen H. Vales

[57] CLAIM

The ornamental design for a mobile cabinet for video game and accessories, as shown and described.

DESCRIPTION

FIG. 1 is a front perspective view of a mobile cabinet for video game accessories showing my new design; FIG. 2 is a right side elevational view thereof; FIG. 3 is a front elevational view with the left leaf in folded position; the rear view being a mirror image thereof; FIG. 4 is a left side elevational view of FIG. 3; and FIG. 5 is a top plan view of FIG. 3.



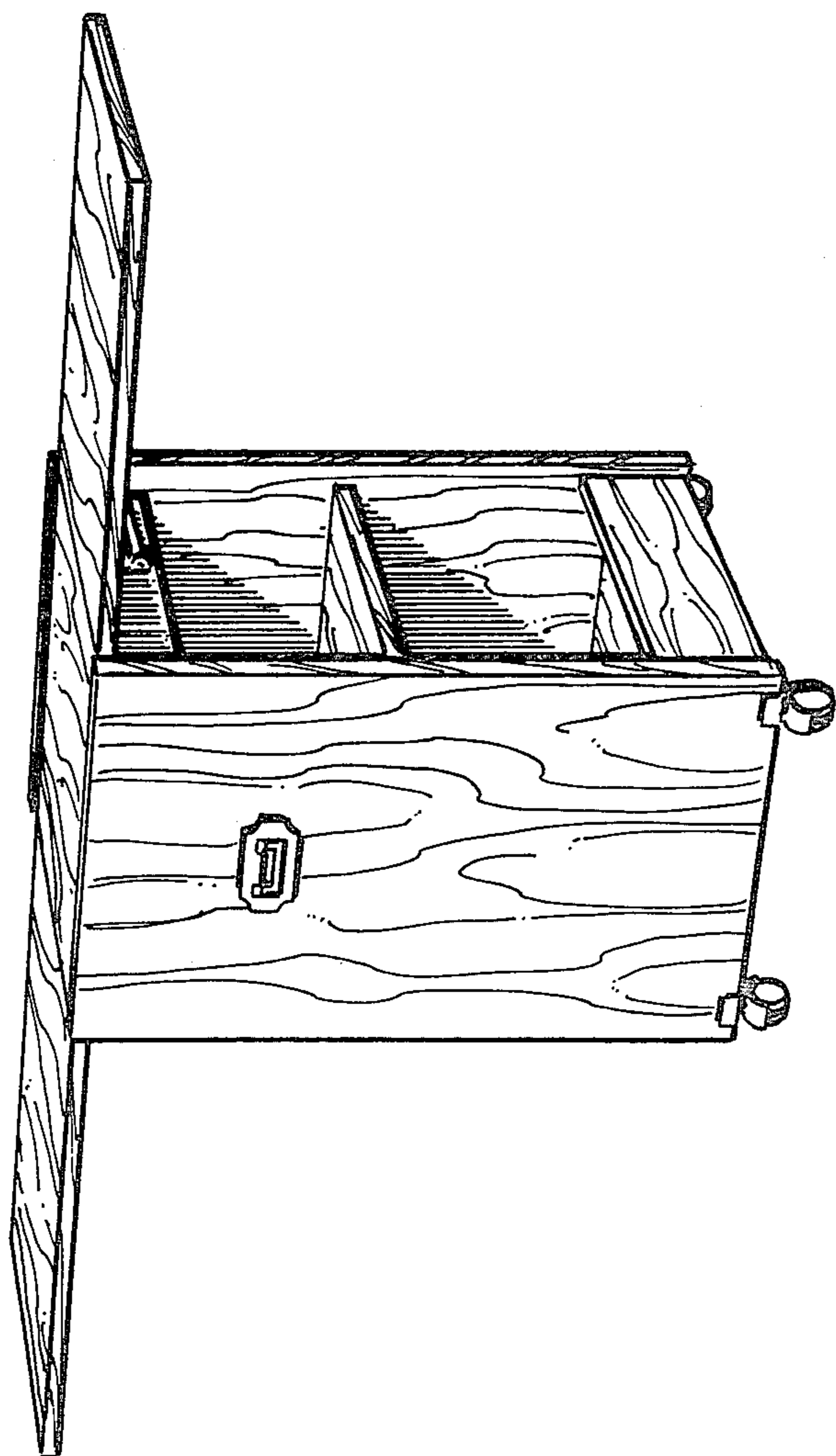


FIG. 1

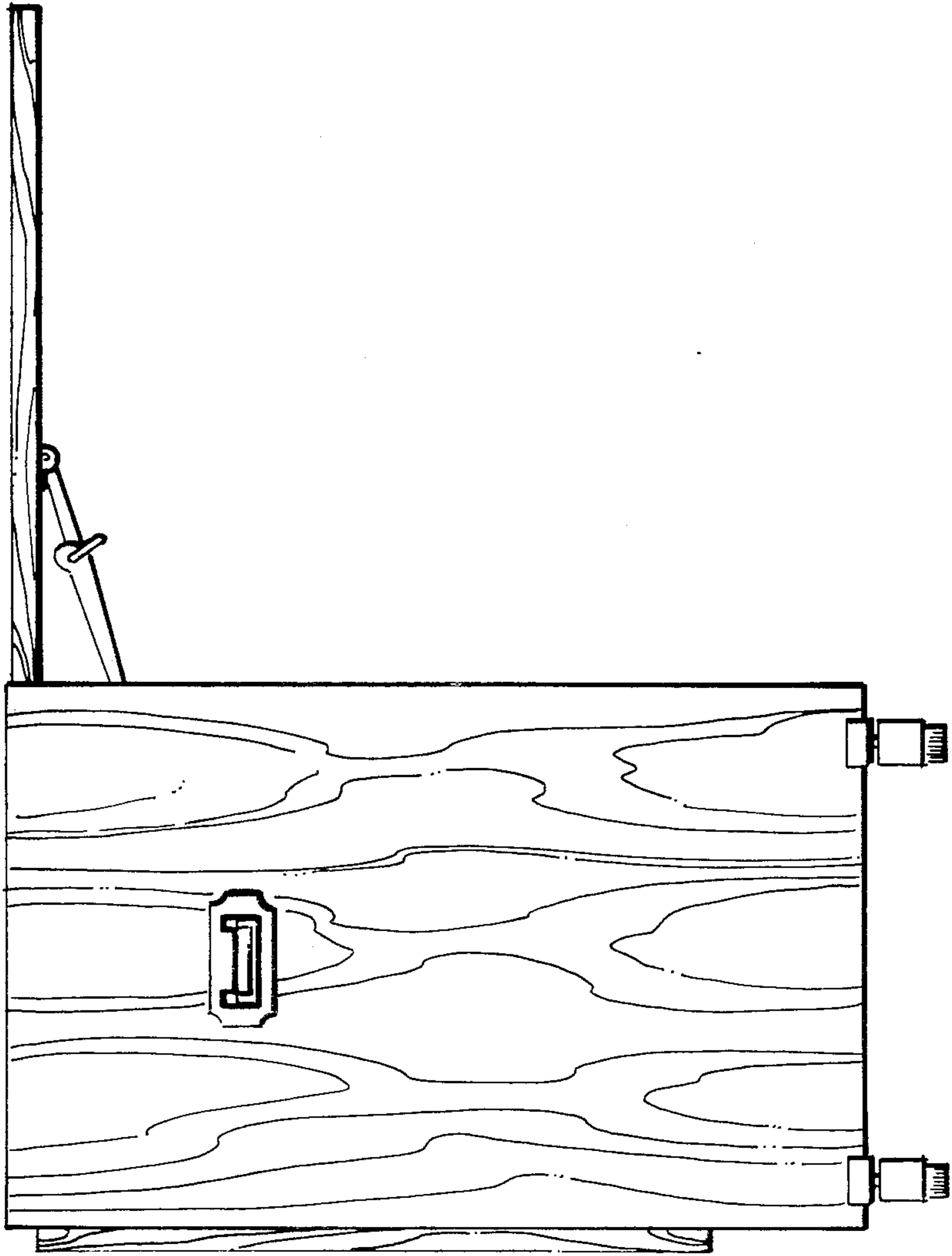


FIG. 3

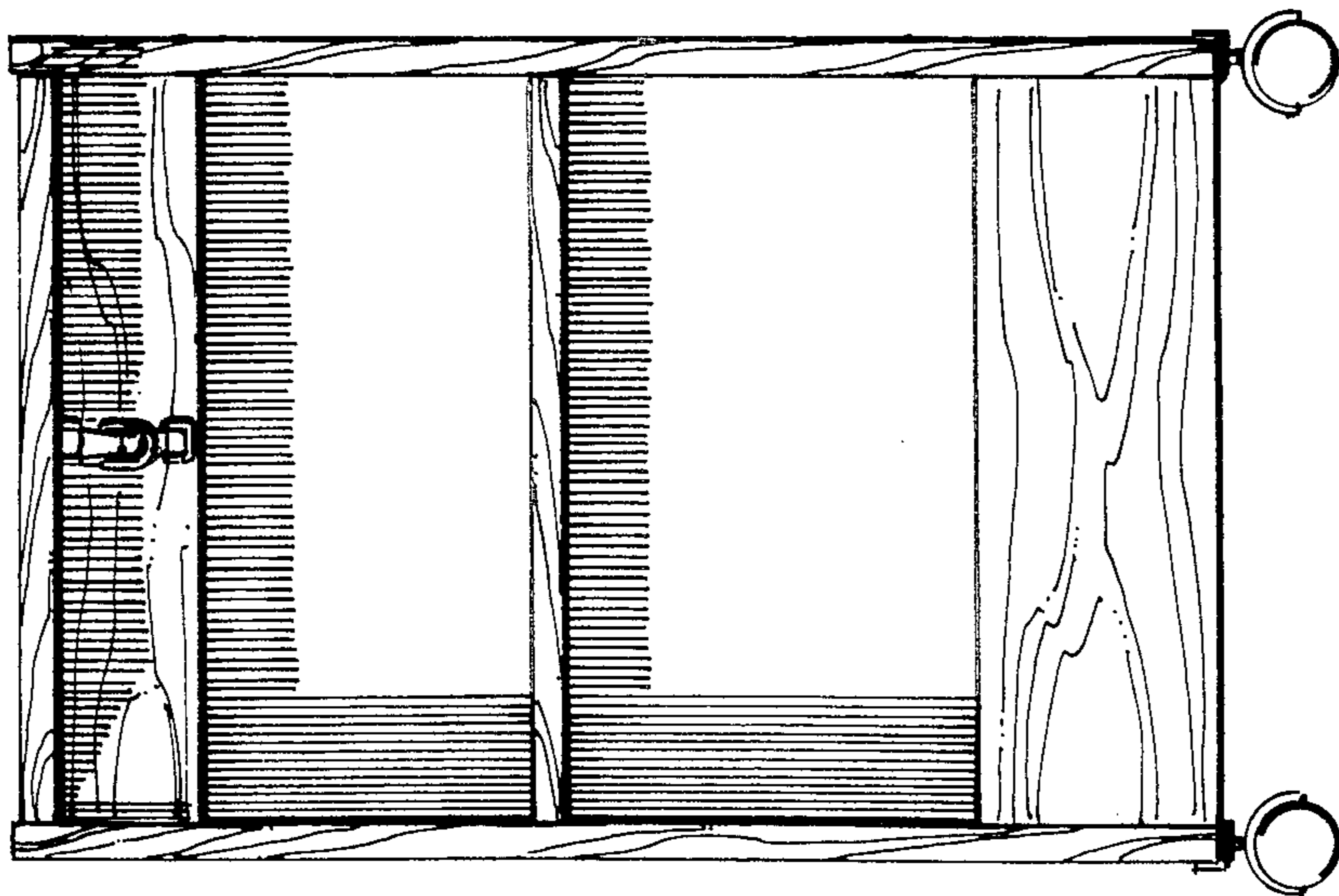


FIG. 2

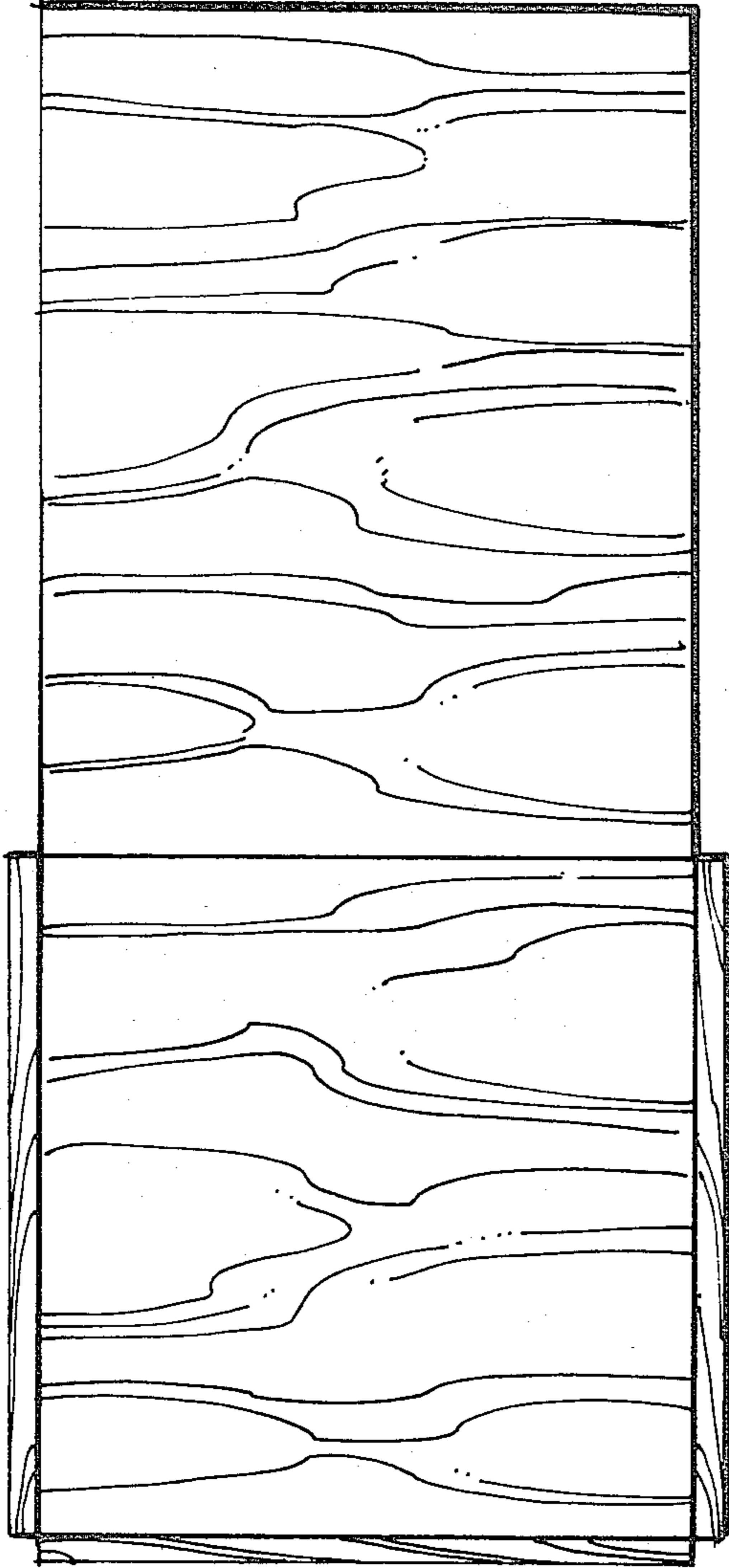


FIG. 5

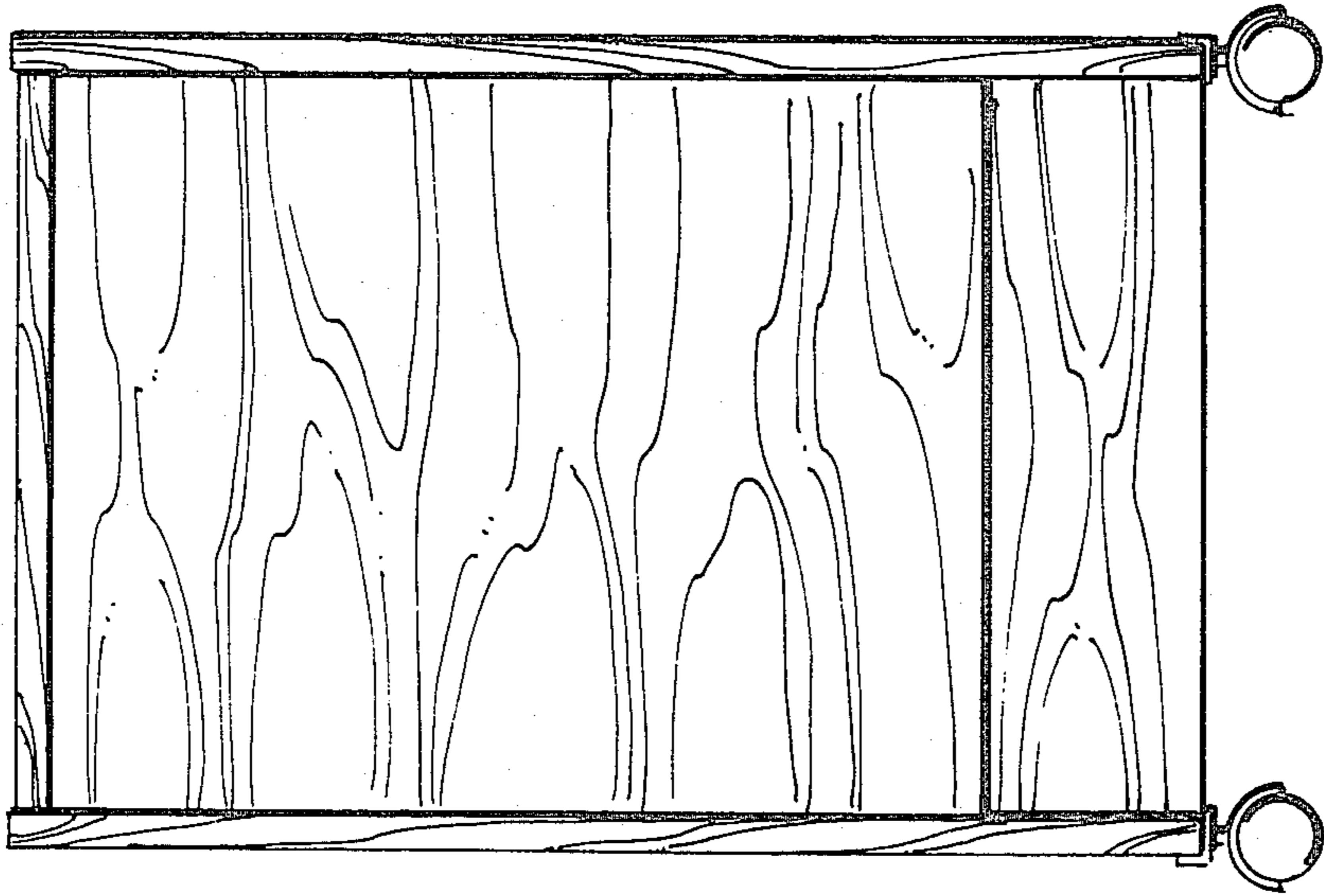


FIG. 4