

[54] COMBINATION FOLDING BED AND LAP TRAY

[75] Inventor: Edward Levy, Franklin Lakes, N.J.

[73] Assignee: Marley Tile, A.G., Zug, Switzerland

[\*\*] Term: 14 Years

[21] Appl. No.: 422,607

[22] Filed: Sep. 24, 1982

[52] U.S. Cl. .... D6/406; D6/429

[58] Field of Search ..... D6/138; 108/127, 115, 108/129

4,311,099 1/1982 Roberts ..... 108/43

FOREIGN PATENT DOCUMENTS

1050551 1/1954 France ..... 108/115

345131 4/1960 Switzerland ..... 108/129

741458 12/1955 United Kingdom ..... 108/129

Primary Examiner—B. J. Bullock

Attorney, Agent, or Firm—Ronald A. Sandler; Jerry A. Schulman

[56] References Cited

U.S. PATENT DOCUMENTS

D. 212,541 10/1968 Taylor ..... D6/138

2,829,705 4/1958 Godshalk et al. .... 108/129

3,364,884 1/1968 Hamilton et al. .... 108/115

4,010,696 3/1977 Priesman ..... 108/129

[57] CLAIM

The ornamental design for a combination folding bed and lap tray, as shown and described.

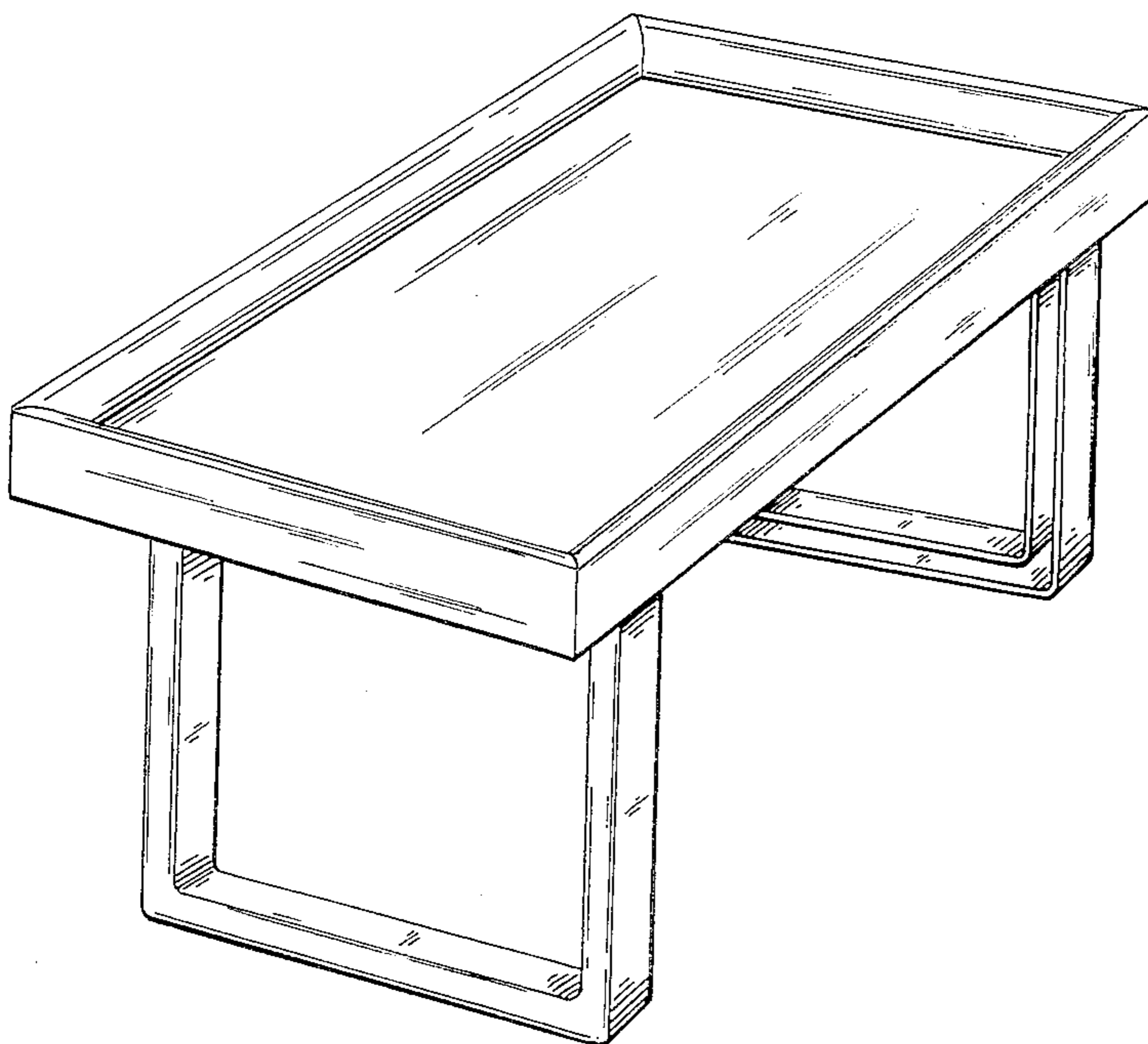
DESCRIPTION

FIG. 1 is a top perspective view of a folding bed and lap tray combination showing minute design;

FIG. 2 is a side view thereof;

FIG. 3 is a side perspective view thereof; and

FIG. 4 is a bottom view thereof.



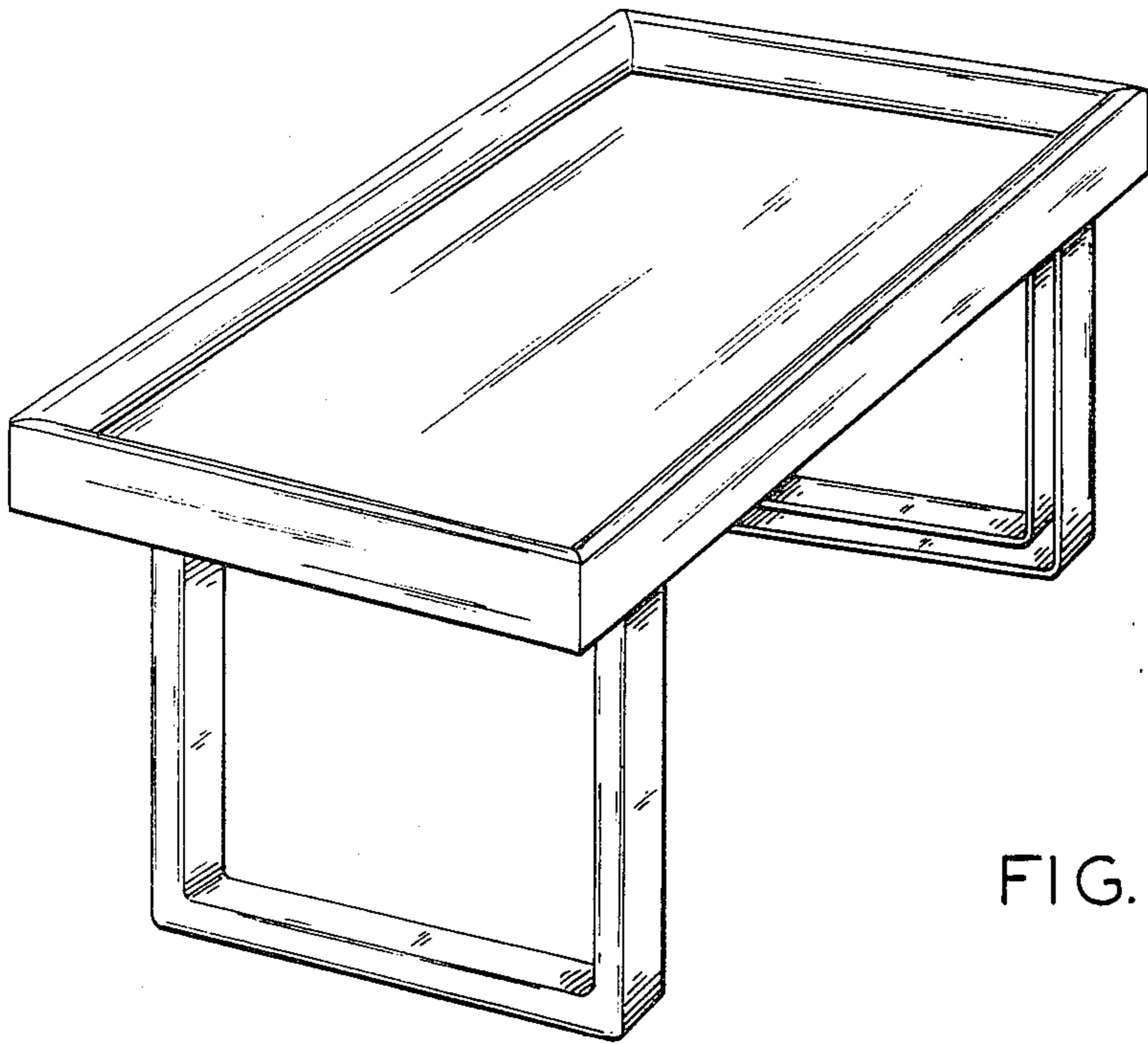


FIG. 1

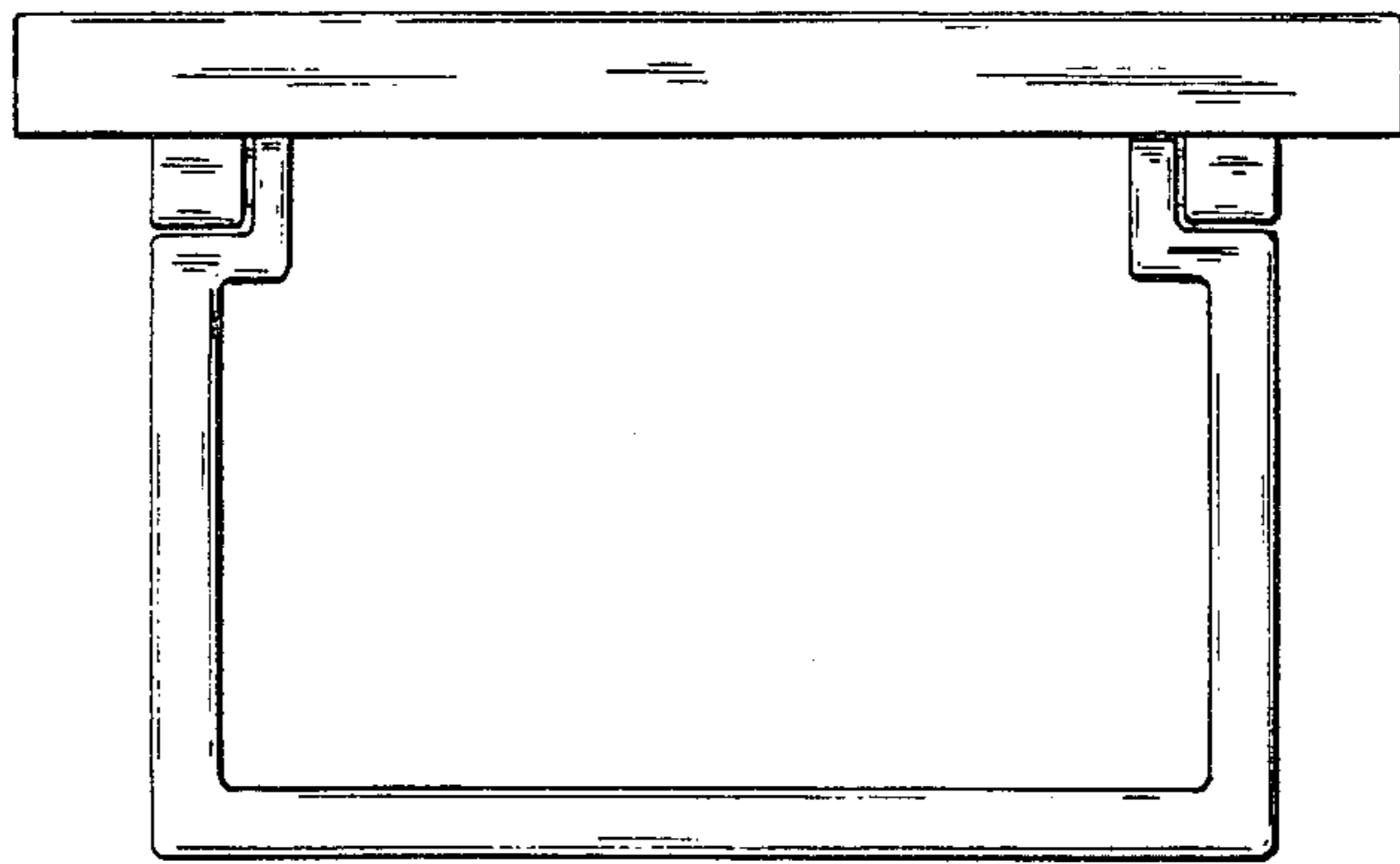


FIG. 2

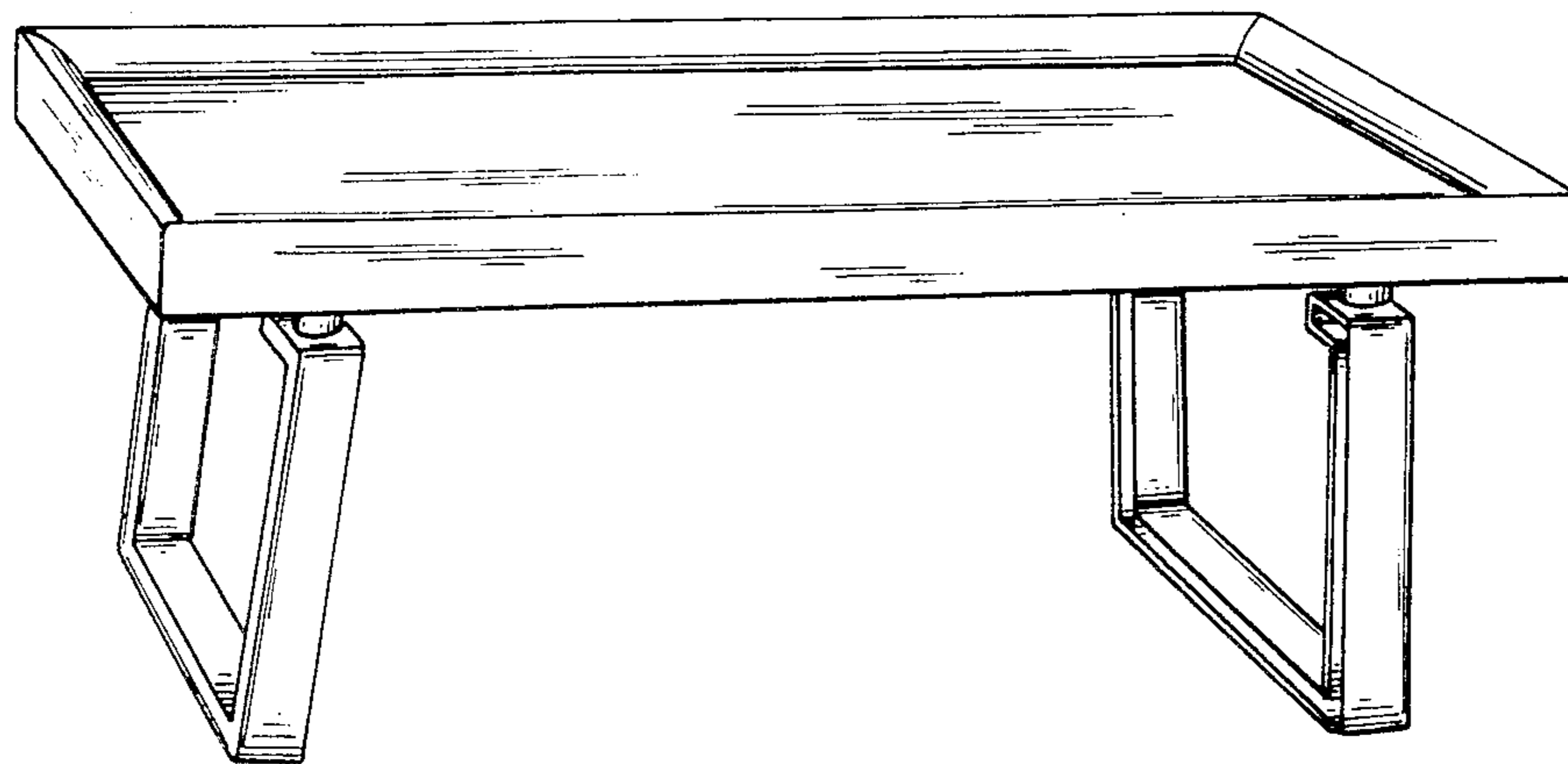


FIG. 3

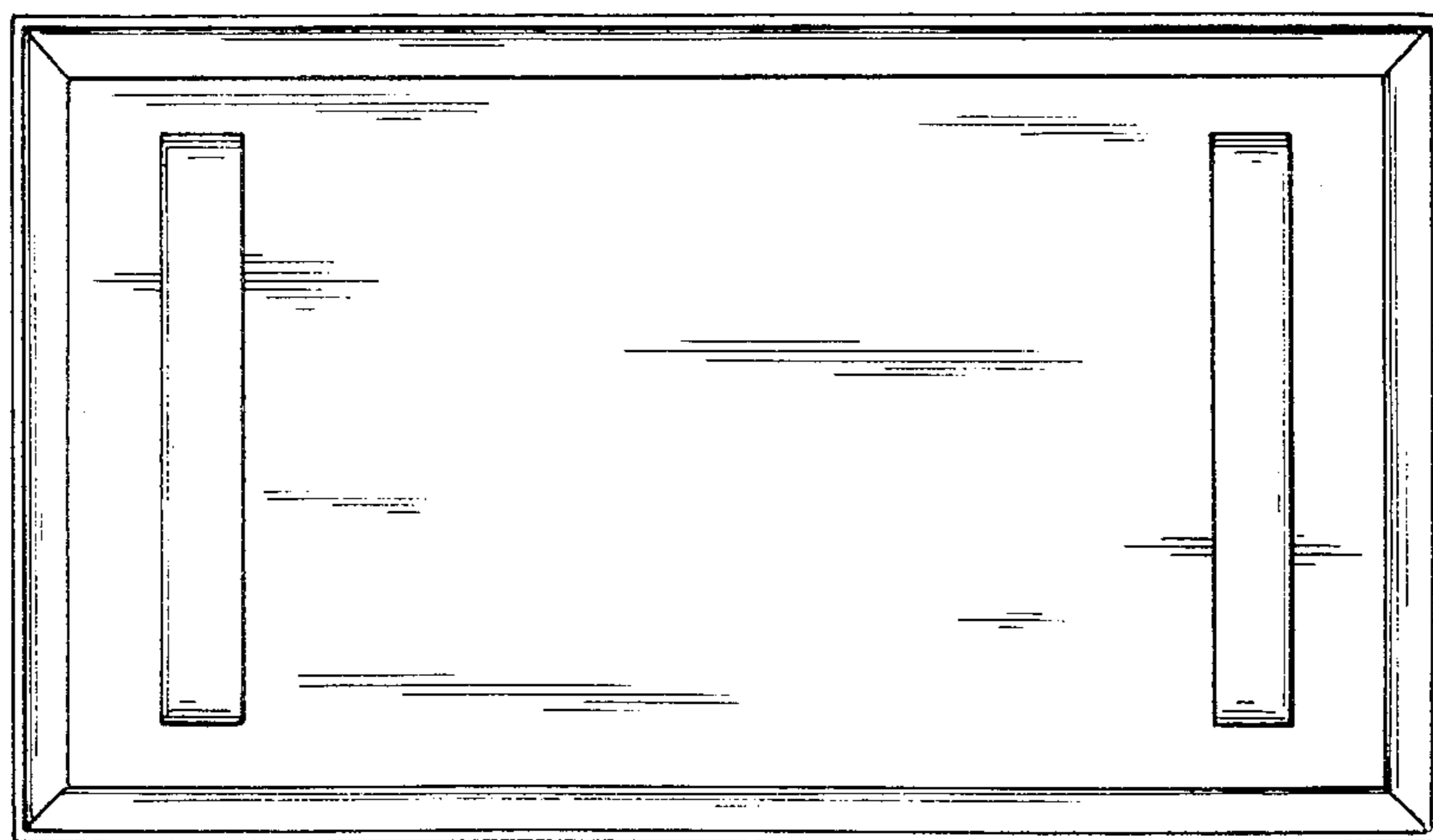


FIG. 4