

[54] SHOE BUFFER

[76] Inventor: John S. Doyel, 404 W. 20th St., New York, N.Y. 10011

[\*\*] Term: 14 Years

[21] Appl. No.: 552,439

[22] Filed: Nov. 16, 1983

[52] U.S. Cl. .... D4/102; D4/119

[58] Field of Search ..... D4/100, 102, 119, 120, D4/121, 137; 15/97 A, 22 R, 28, 30-37; D32/35

[56] References Cited

U.S. PATENT DOCUMENTS

- D. 196,227 9/1963 Polatchek ..... D4/102
- D. 199,115 9/1964 Wedemeyer ..... D4/102
- D. 199,301 10/1964 Brickman ..... D4/102
- D. 200,293 2/1965 Polatchek ..... D4/102

D. 203,254 12/1965 Florian ..... D4/102

Primary Examiner—Catherine E. Kemper

[57] CLAIM

The ornamental design for a shoe buffer, as shown and described.

DESCRIPTION

FIG. 1 is a perspective view of a shoe buffer showing my new design.

FIG. 2 is a perspective view thereof, showing an open compartment cover.

FIG. 3 is a side elevational view thereof.

FIG. 4 is a top plan view thereof.

FIG. 5 is a bottom plan view thereof.

FIG. 6 is an opposite side elevational view thereof.

FIG. 7 is a front elevational view thereof.

FIG. 8 is a back elevational view thereof.

FIG. 9 is a front elevational view thereof, showing buffing brush attachments as well.

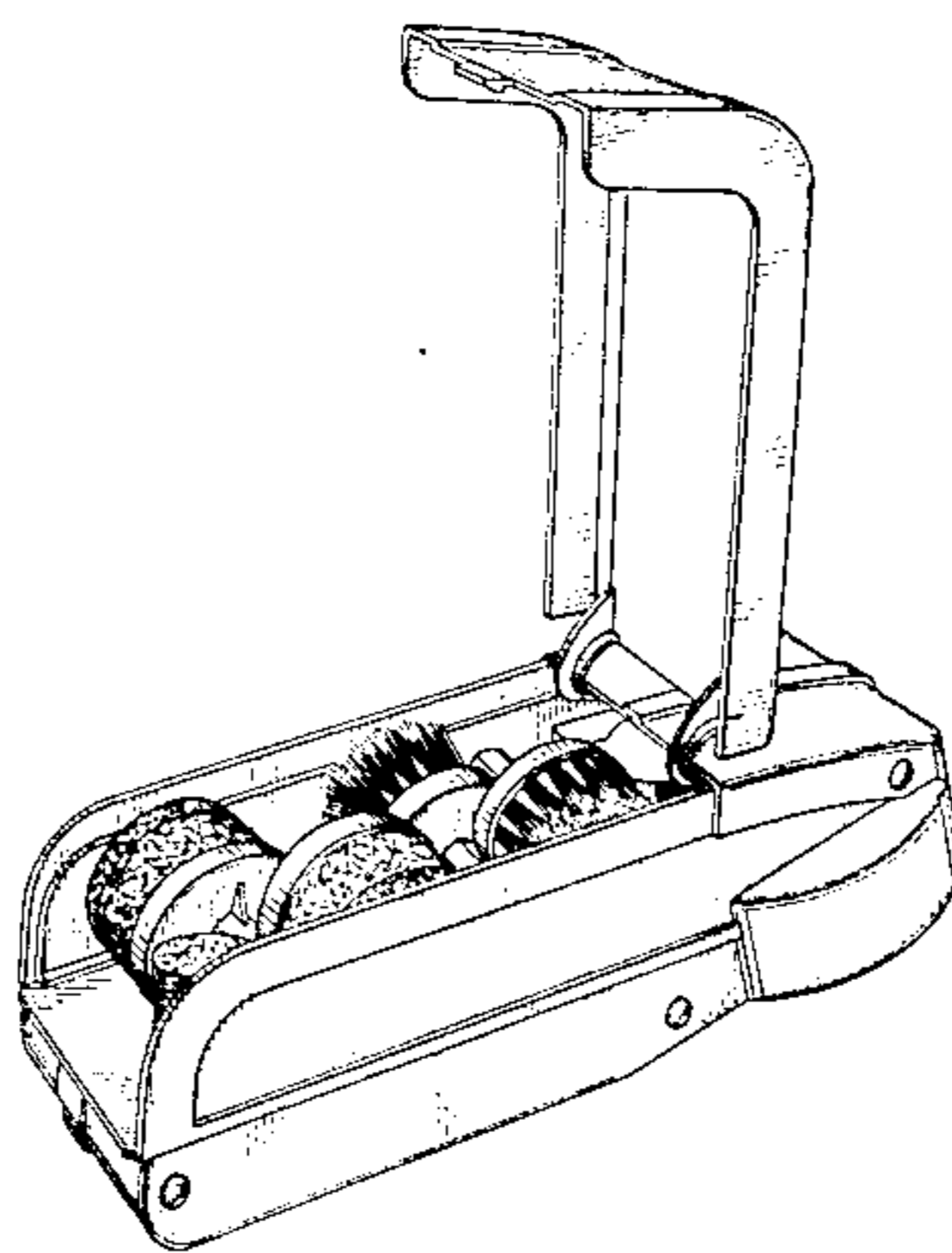
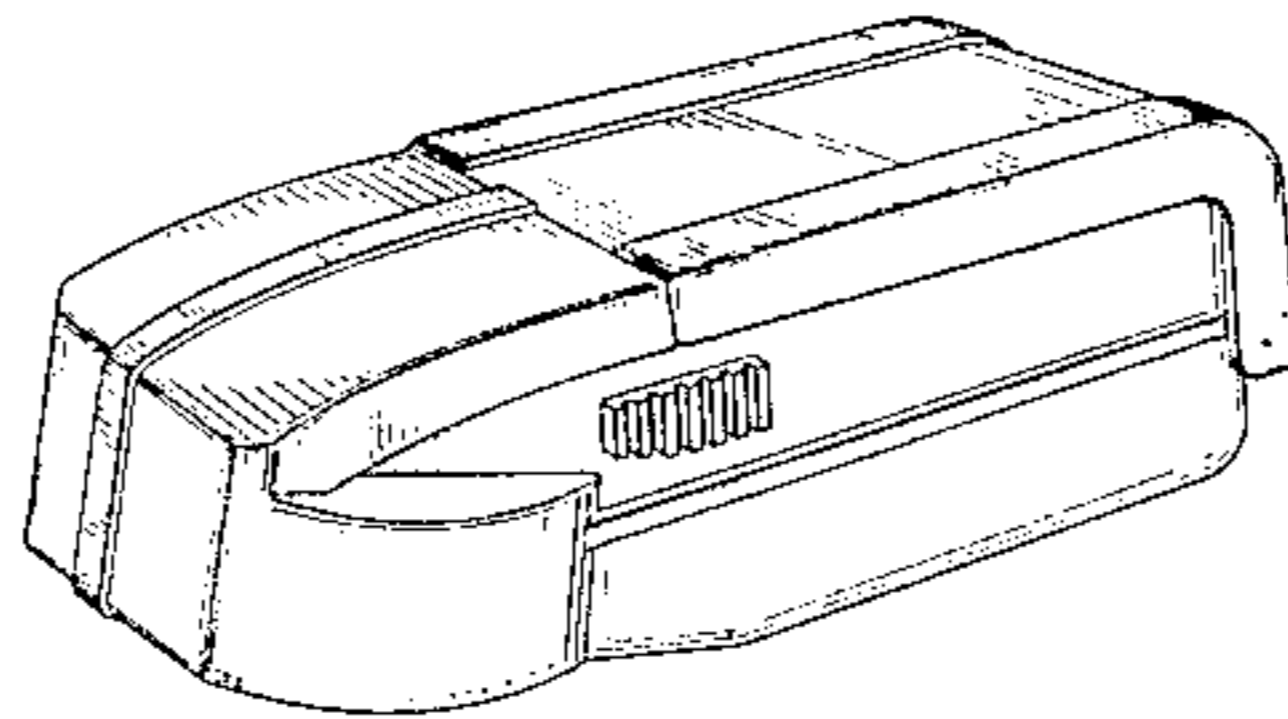


Fig. 1.

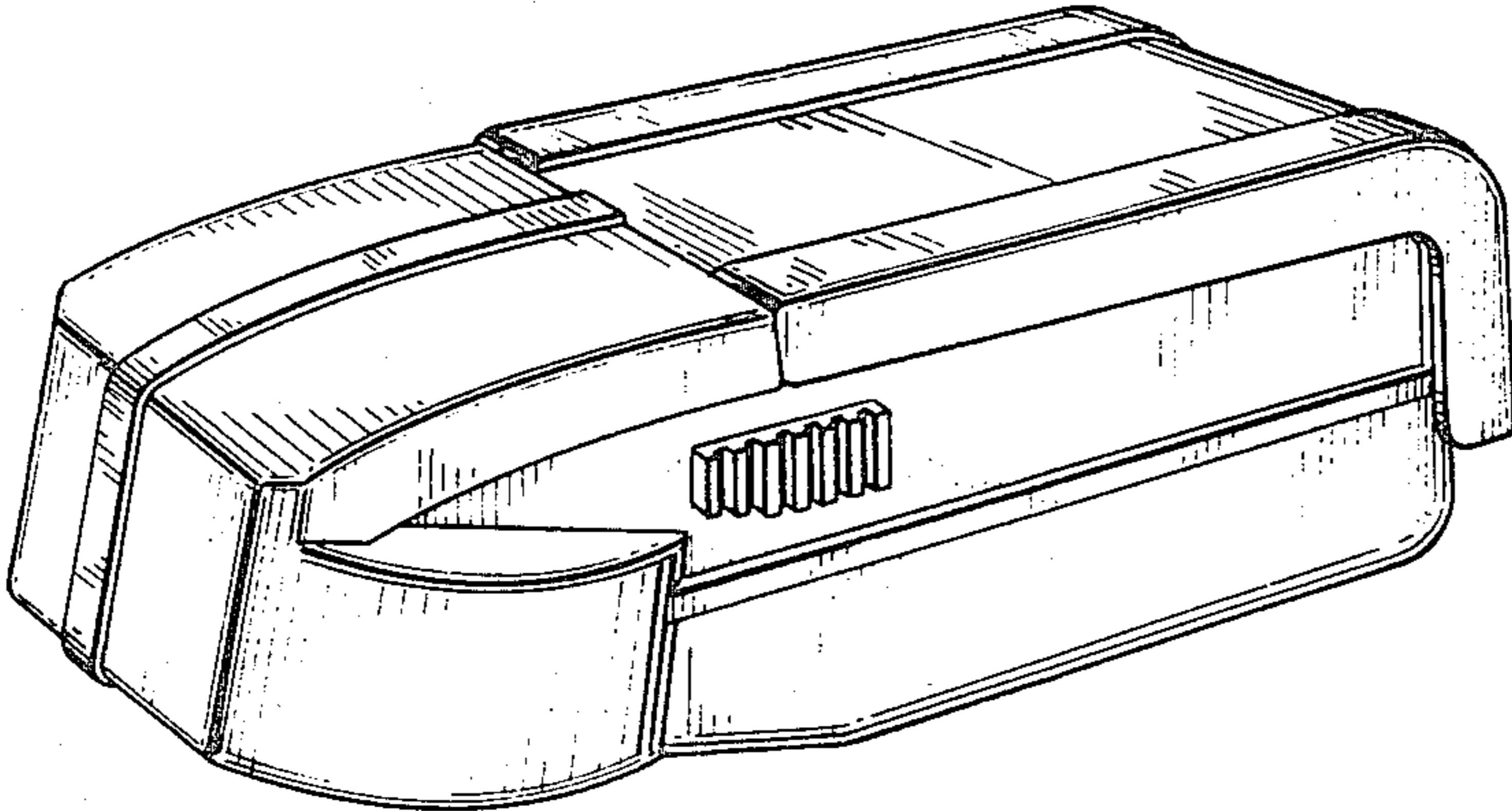


Fig. 2.

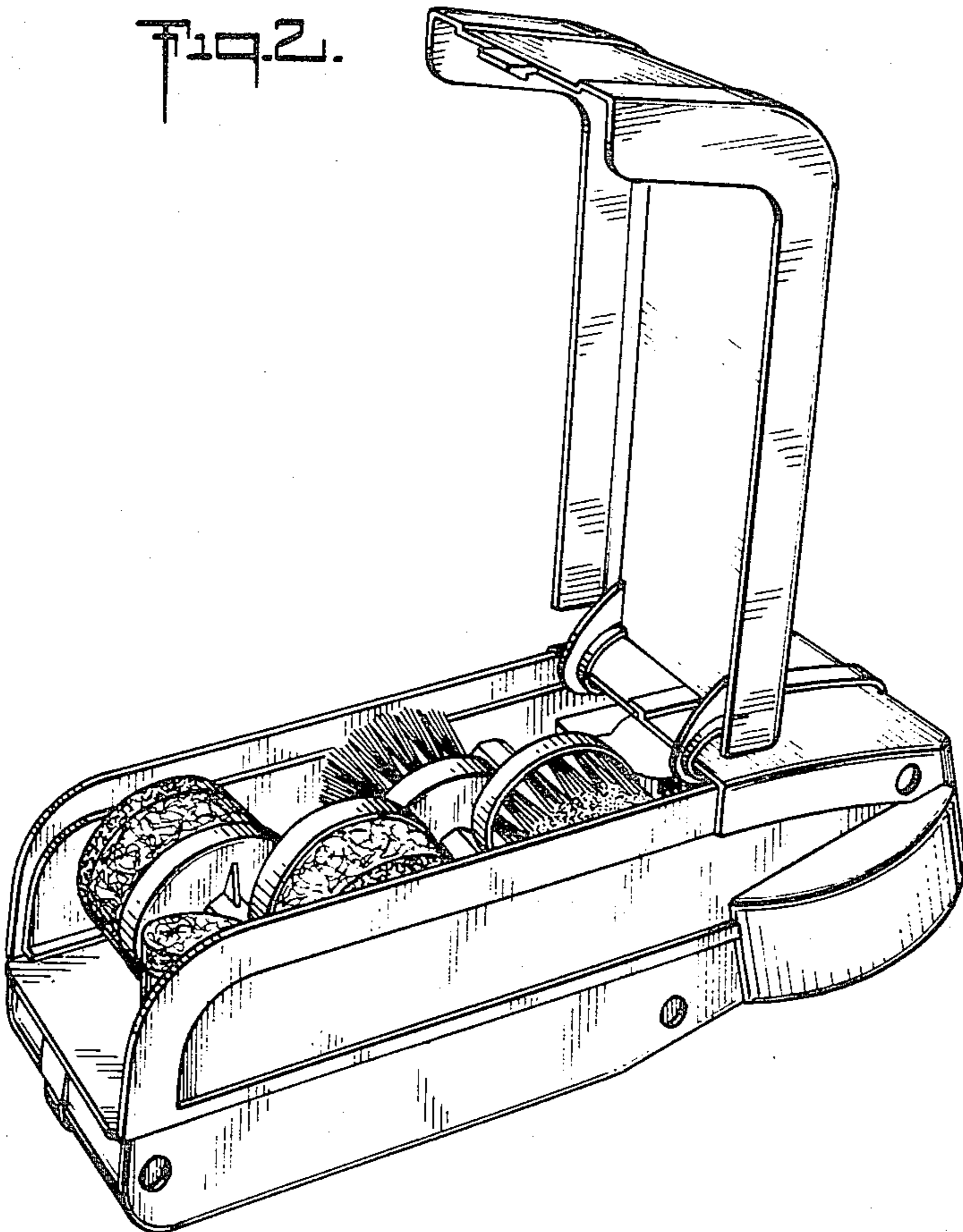


Fig. 3.

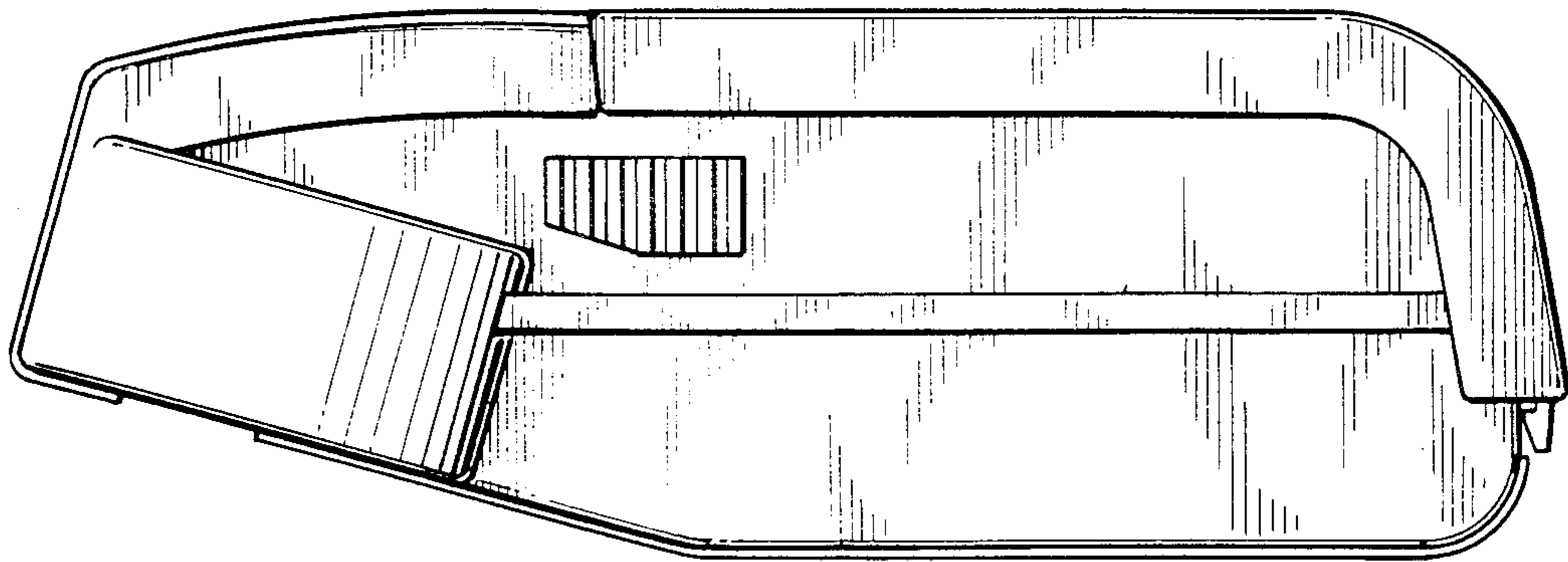


Fig. 4.

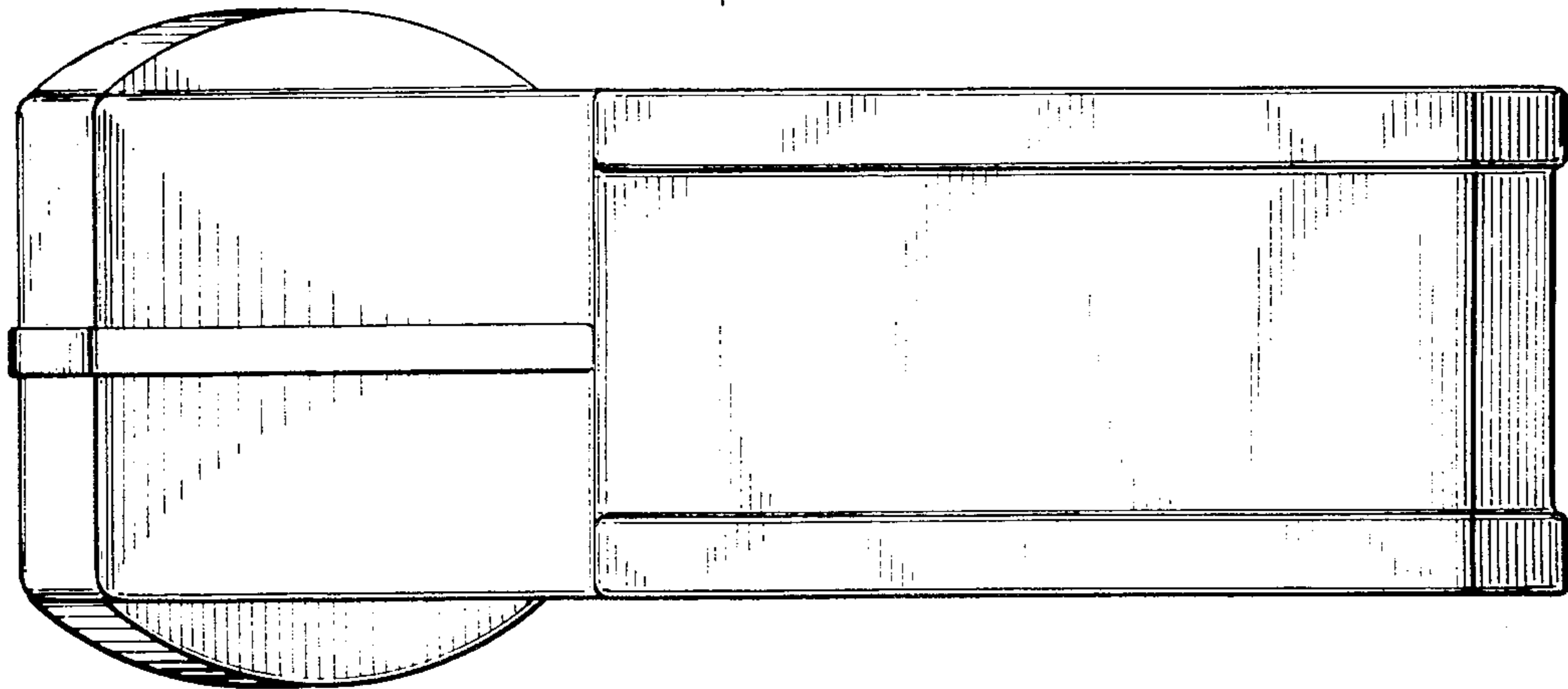


Fig. 5.

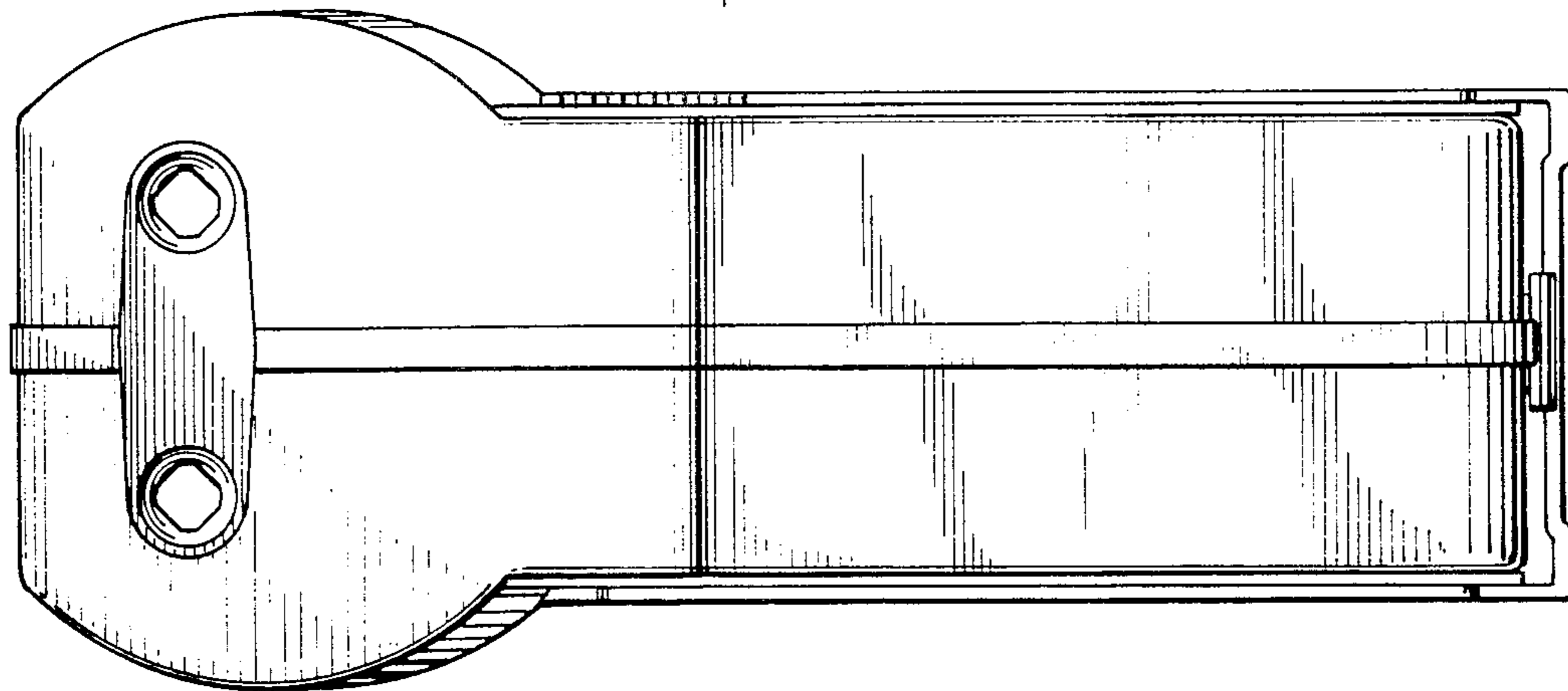


Fig. 6.

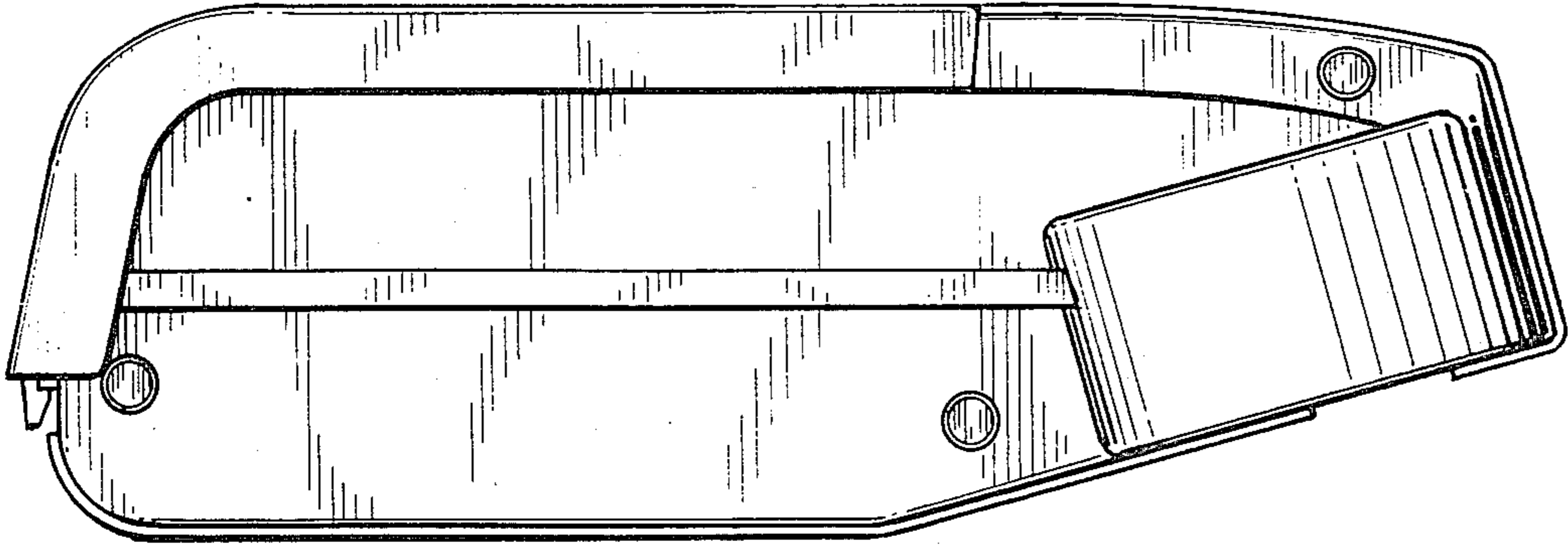


Fig. 7.

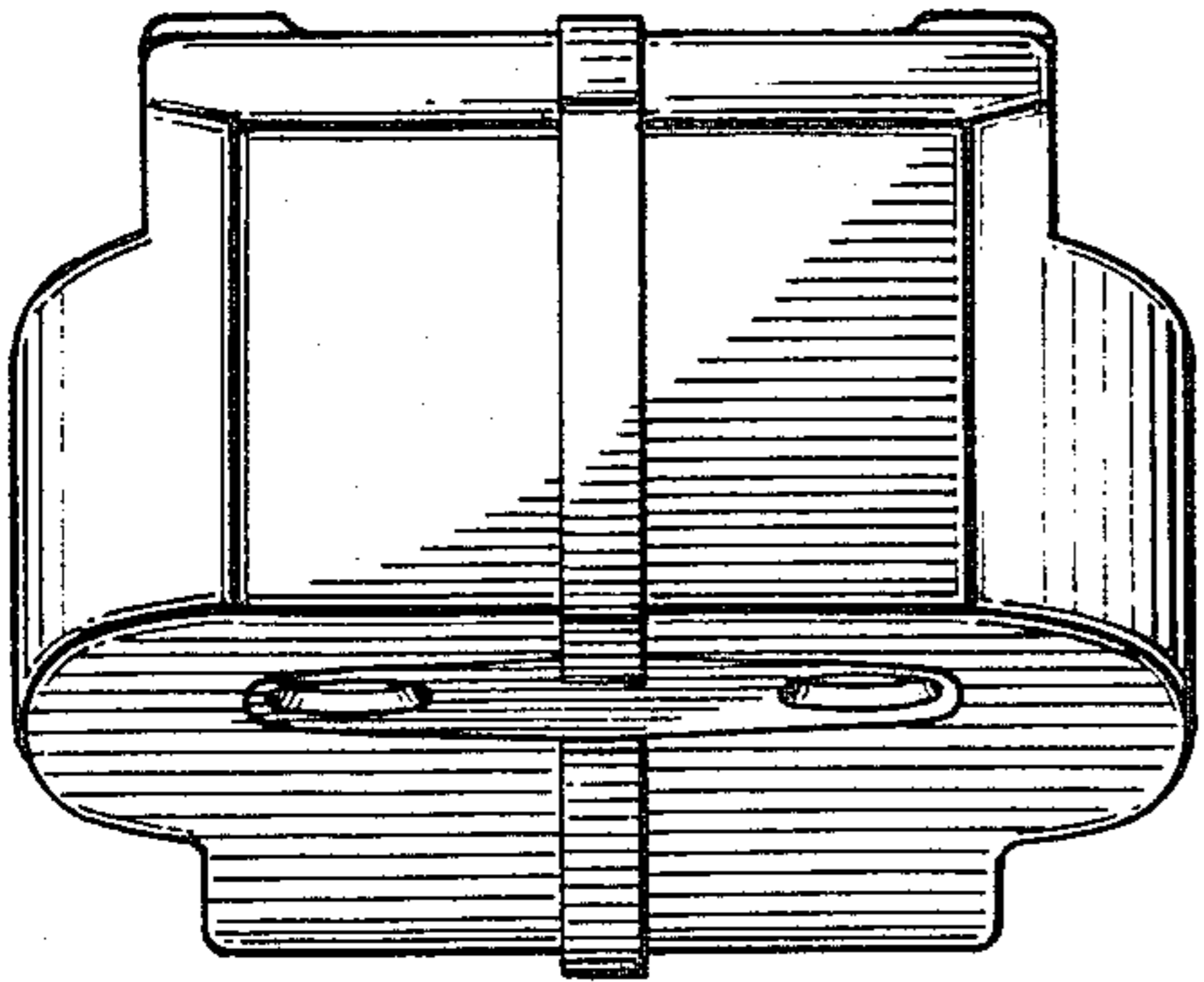


Fig. 8.

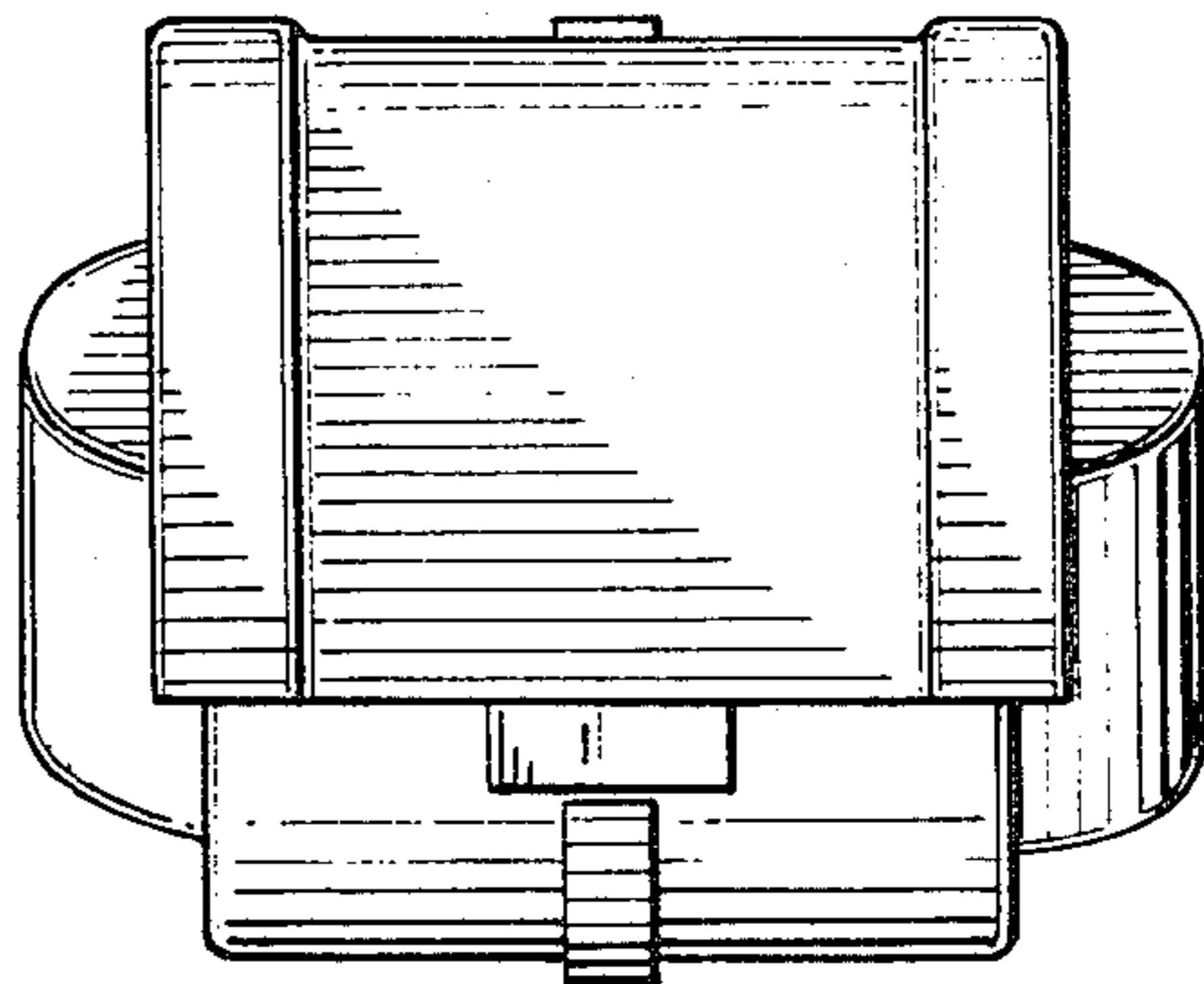


Fig. 9.

