

[54] COMBINED VEHICLE SEAT ARM REST AND DRINK HOLDER

[76] Inventor: Michael L. Flanagan, 6096 TaraWood Dr., Orlando, Fla. 32811

[\*\*] Term: 14 Years

[21] Appl. No.: 499,839

[22] Filed: Jun. 1, 1983

[52] U.S. Cl. .... D3/40; D6/500

[58] Field of Search ..... D3/40; D6/491, 500; D7/38; 206/19.5

[56] References Cited

U.S. PATENT DOCUMENTS

D. 207,902 6/1967 Bray ..... D3/40

D. 252,540 8/1979 Murphy ..... D3/40  
D. 259,835 7/1981 Page Jr. .... D3/40  
D. 267,444 1/1983 Ruxton ..... D3/40  
D. 268,072 3/1983 Boggs ..... D7/38 X  
3,561,589 2/1971 Larkin, Jr. .... 206/19.5

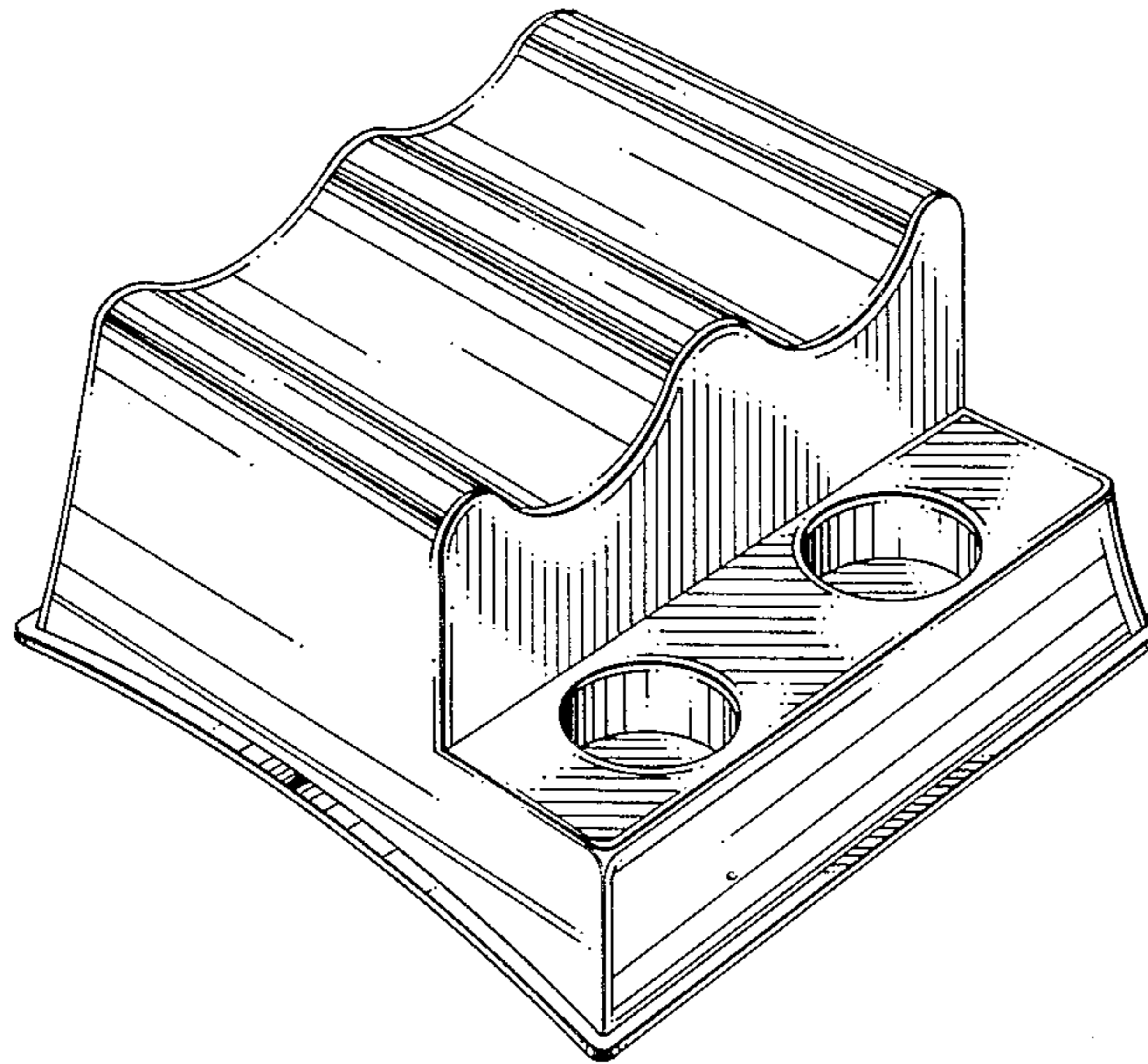
Primary Examiner—Bruce W. Dunkins  
Attorney, Agent, or Firm—William M. Hobby, III

[57] CLAIM

The ornamental design for a combined vehicle seat arm rest and drink holder, as shown and described.

DESCRIPTION

FIG. 1 is a top perspective view of a combined vehicle arm rest and drink holder showing my design; FIG. 2 is a bottom perspective view thereof; the bottom is an identical backward image of the top.



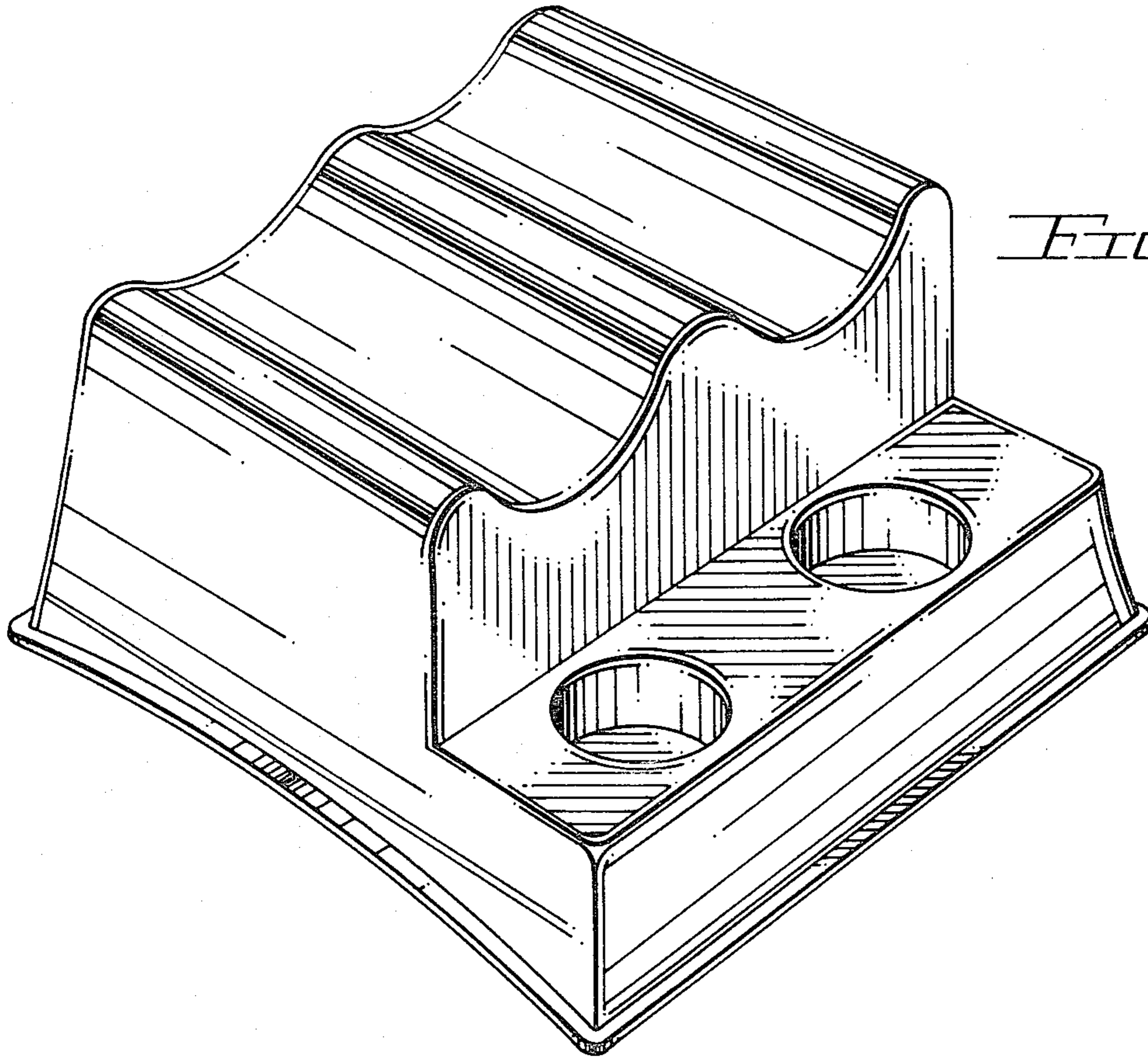


FIG. 1

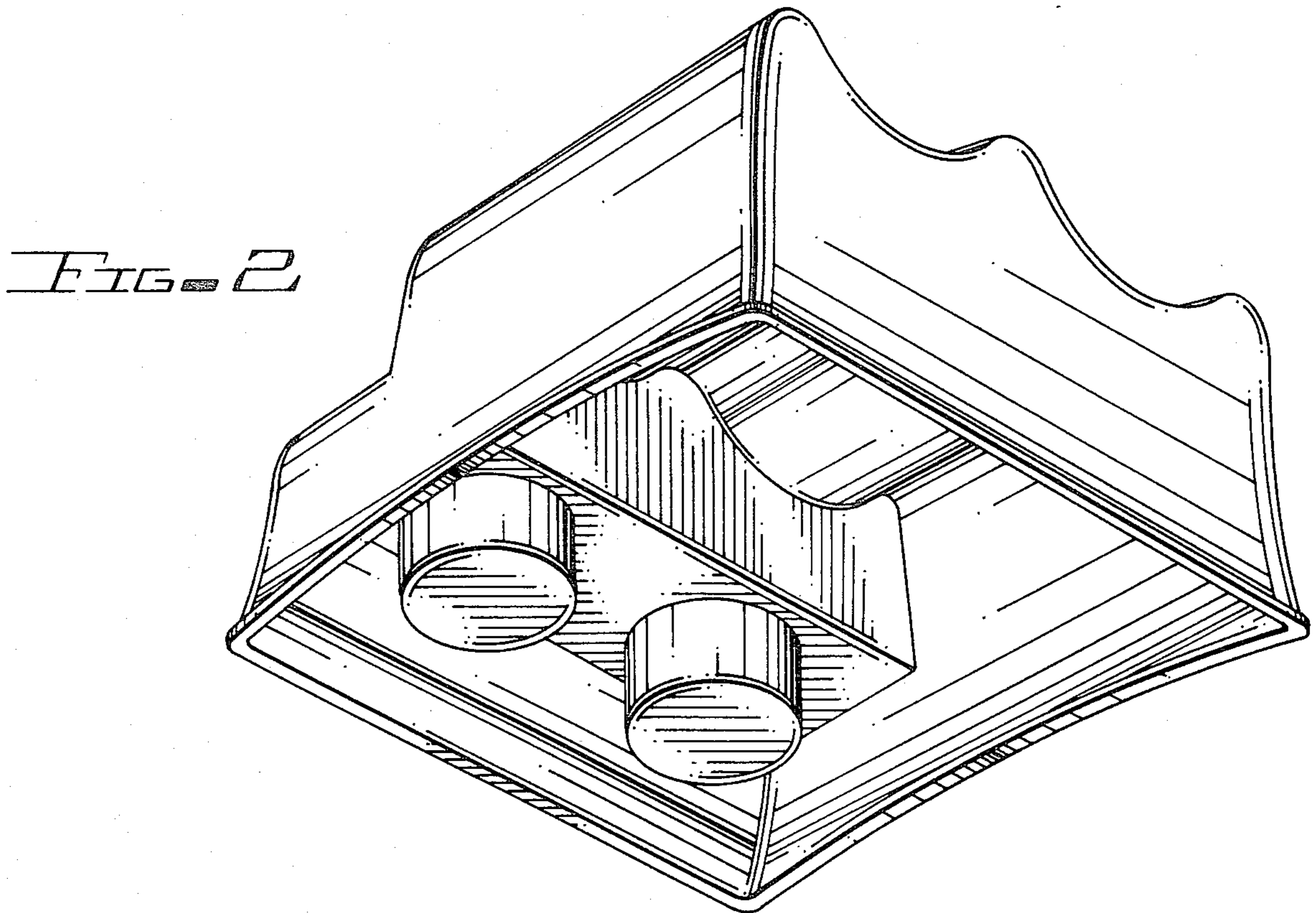


FIG. 2