

[54] ELECTROSONIC CLEANING BATH ENCLOSURE

4,112,955 9/1978 Gollel 134/57 R

[75] Inventor: Mark Harrison, Portsmouth, R.I.

[73] Assignee: Connoisseurs Products Corporation, Sommerville, Mass.

[**] Term: 14 Years

[21] Appl. No.: 522,483

[22] Filed: Aug. 12, 1983

[52] U.S. Cl. D32/1

[58] Field of Search D32/1; D9/420, 423, D9/432; 134/1, 57 R, 84, 90, 94, 102

[56] References Cited

U.S. PATENT DOCUMENTS

D. 204,306	4/1966	Hamm	D32/1
D. 261,423	10/1981	Geissler	D32/1
3,352,311	11/1967	Murphy	134/90
3,799,179	3/1974	Thomas	134/102

OTHER PUBLICATIONS

Blackstone Ultrasonic Cleaner brochure, Model SP-100.

National Jeweler, 9-1970, p. 16, 3 Ultrasonic Cleaning Systems.

Primary Examiner—Wallace R. Burke

Assistant Examiner—Lynn Wilder

Attorney, Agent, or Firm—Schiller & Pandiscio

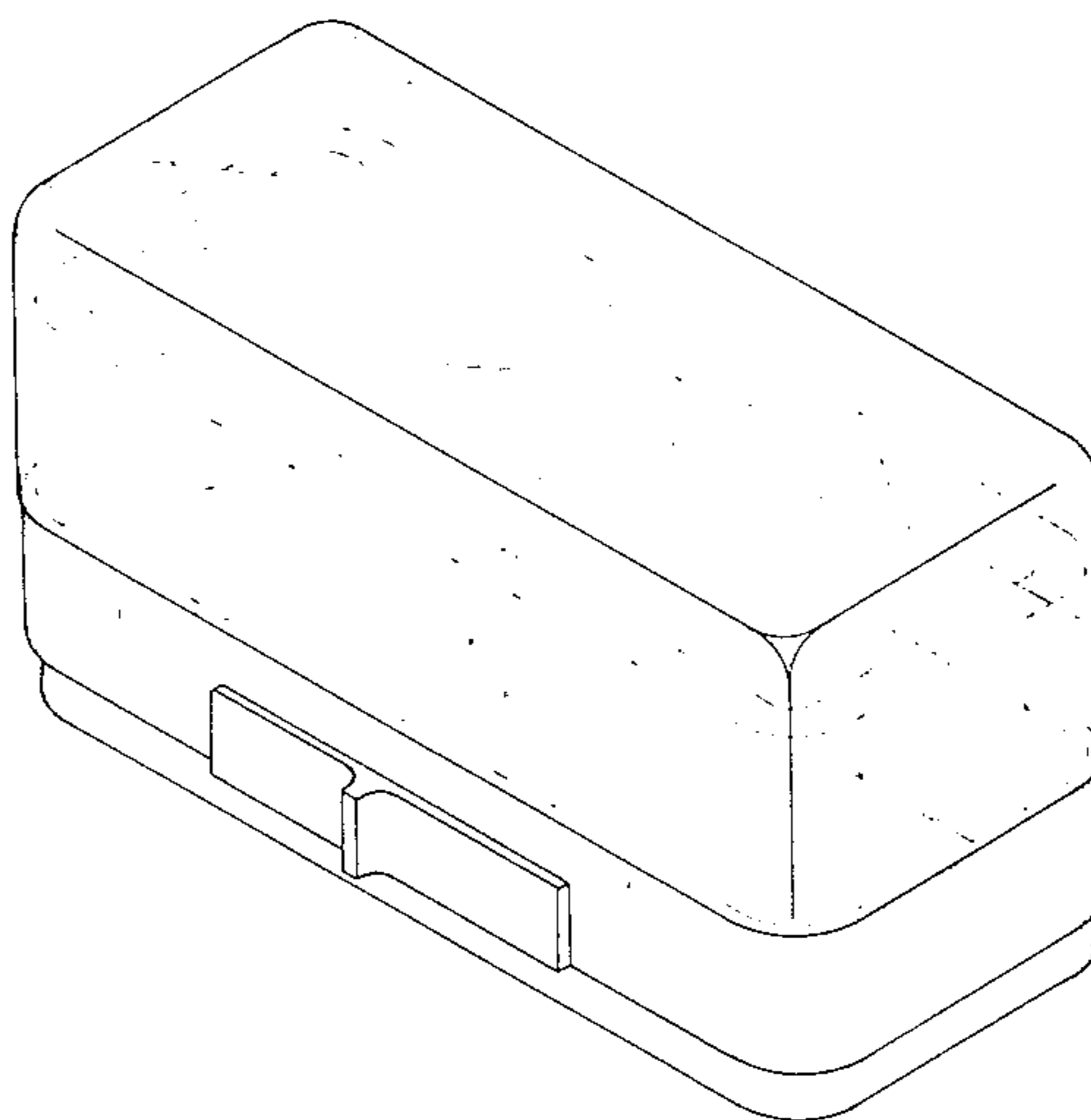
[57] CLAIM

The ornamental design for an electrosonic cleaning bath enclosure, as shown.

DESCRIPTION

FIG. 1 is a perspective view of a bath enclosure embodying my new design, showing the top, front and one side of an assembled enclosure; and

FIG. 2 is an exploded view of the enclosure of FIG. 1, showing the transparent top separated from the base of the enclosure.



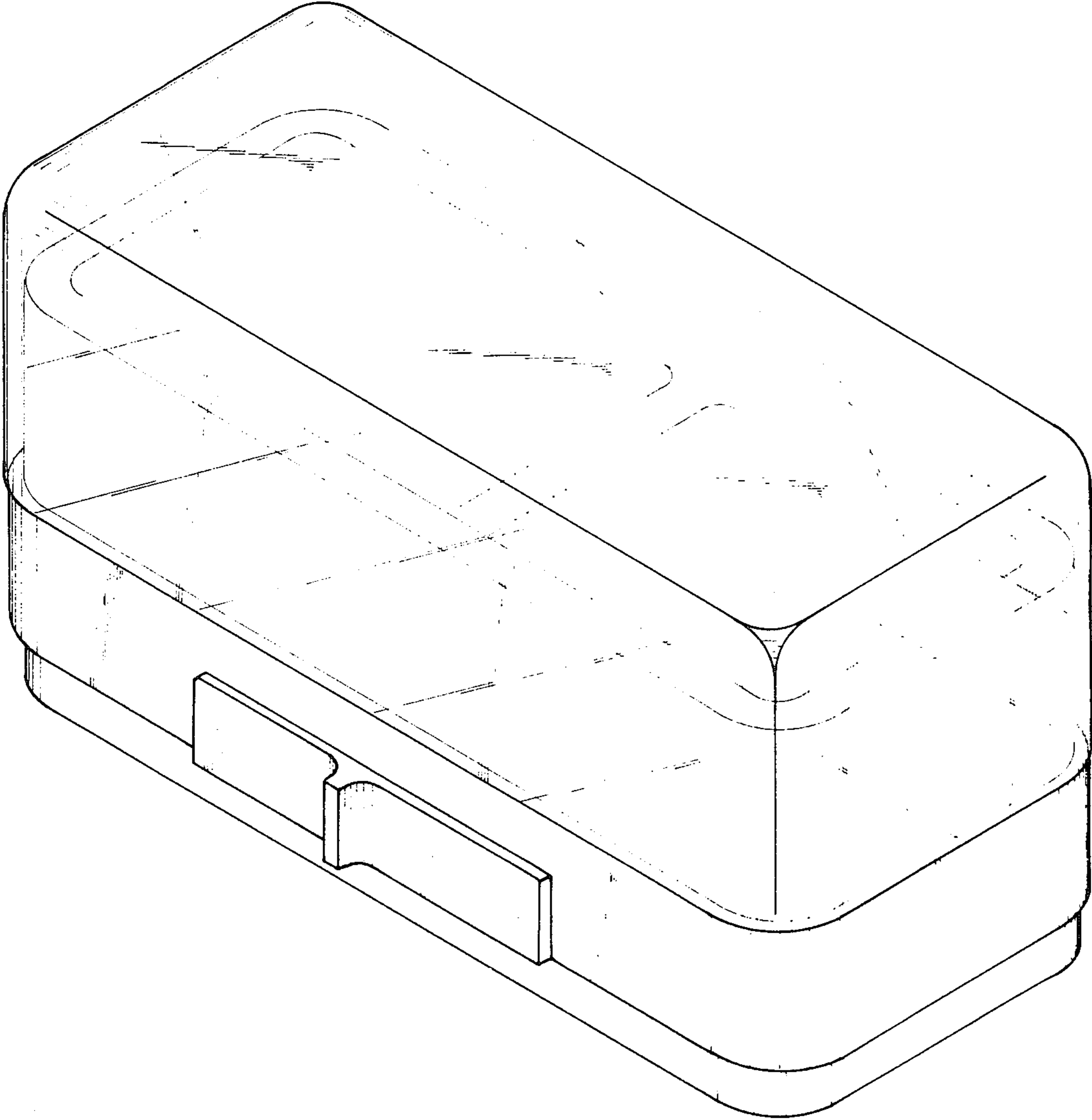


FIG. 1

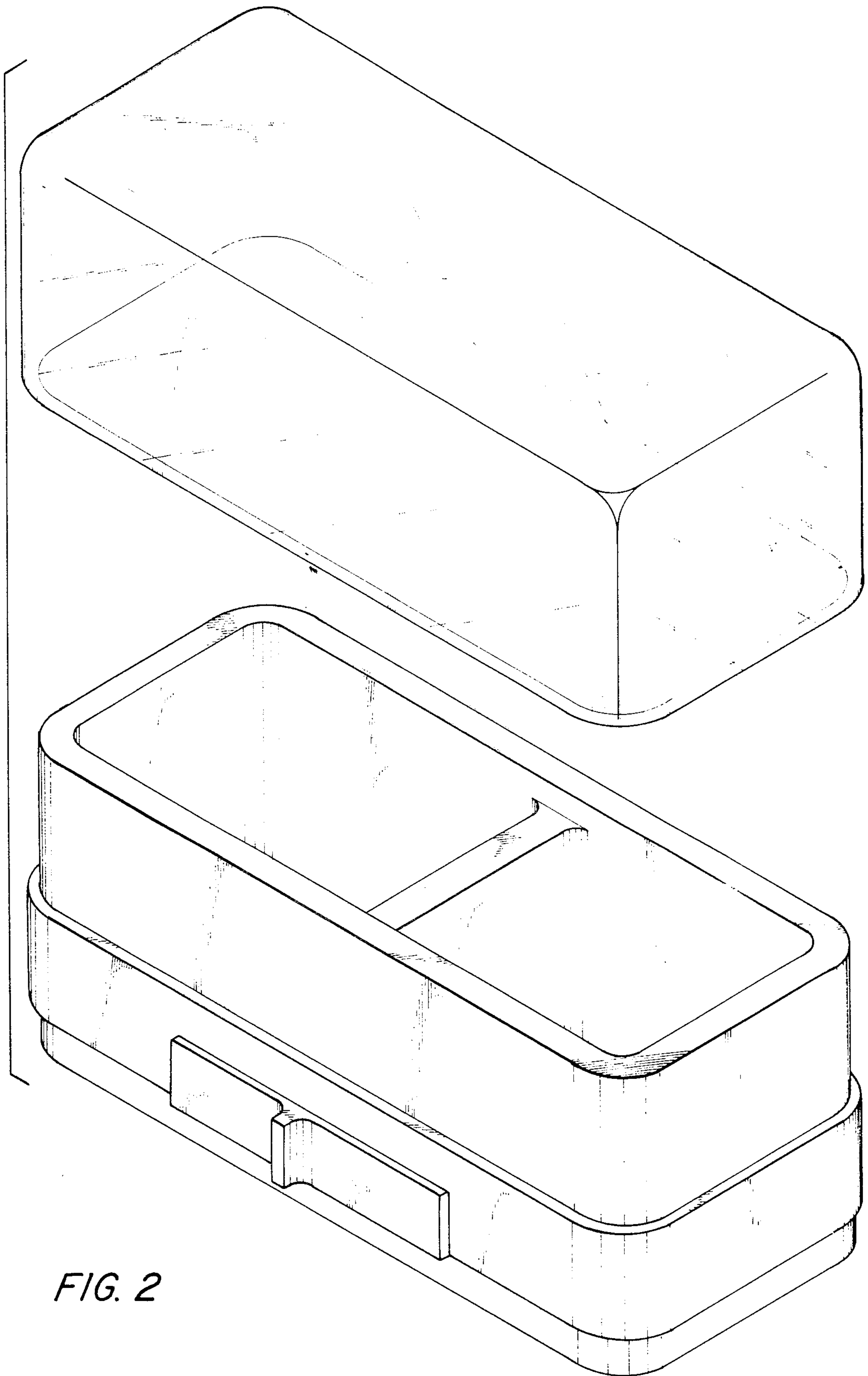


FIG. 2