

[54] LAMP

[76] Inventor: Tony Wang, No. 30, Lane 194, Sung Chiang Rd., Taipei, Taiwan

[**] Term: 14 Years

[21] Appl. No.: 496,900

[22] Filed: May 23, 1983

[52] U.S. Cl. D26/64

[58] Field of Search D26/24, 60-66; 362/431, 362, 235, 250, 257, 269, 270, 282, 285, 297, 307, 310, 311, 413, 418, 427

[56] References Cited

U.S. PATENT DOCUMENTS

D. 246,677 12/1977 Nigg D26/65
1,744,370 1/1930 Dietz et al. D26/61 X

OTHER PUBLICATIONS

Berkey Showlites, Act 2 Brochure, 1973, p. 10, Table Light.

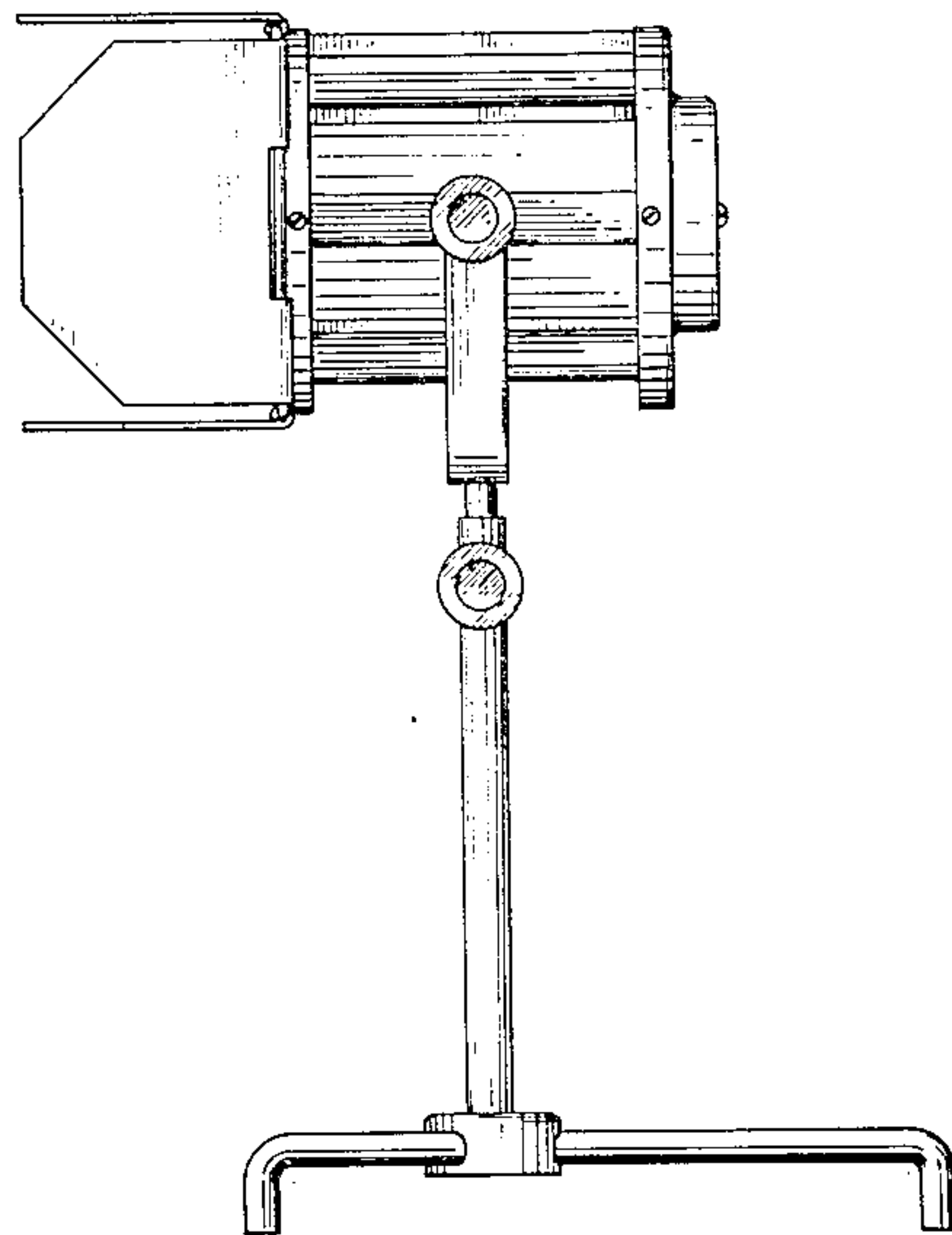
Primary Examiner—Susan J. Lucas
Attorney, Agent, or Firm—Woodling, Krost, Rust & Hochberg

[57] CLAIM

The ornamental design for a lamp, as shown and described.

DESCRIPTION

FIG. 1 is a front elevational view of a lamp showing my new design;
FIG. 2 is a right hand side elevational view thereof;
FIG. 3 is a bottom plan view thereof;
FIG. 4 is a left hand side elevational view thereof;
FIG. 5 is a rear elevational view thereof;
FIG. 6 is a top plan view thereof.



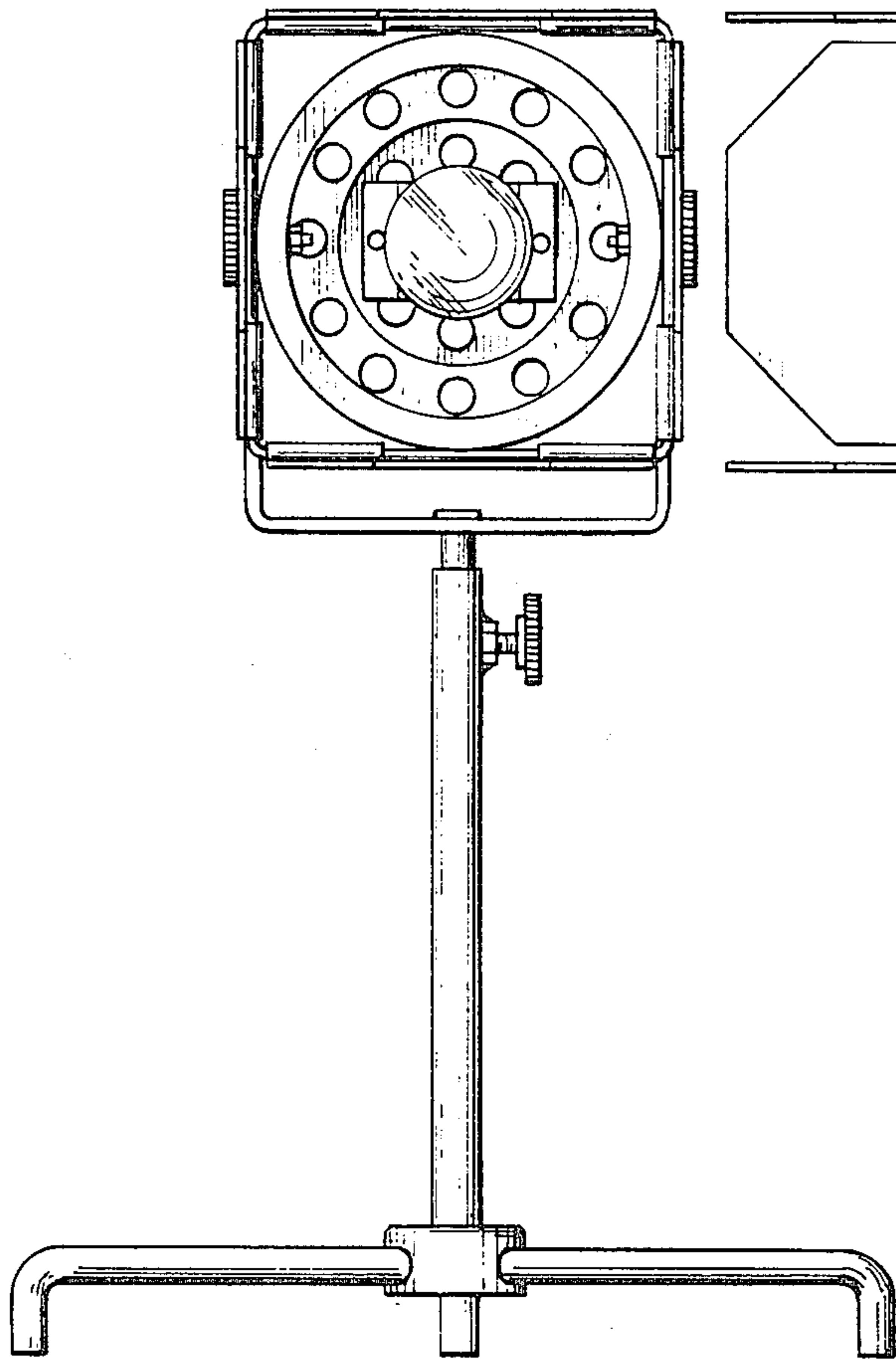


Fig. 1

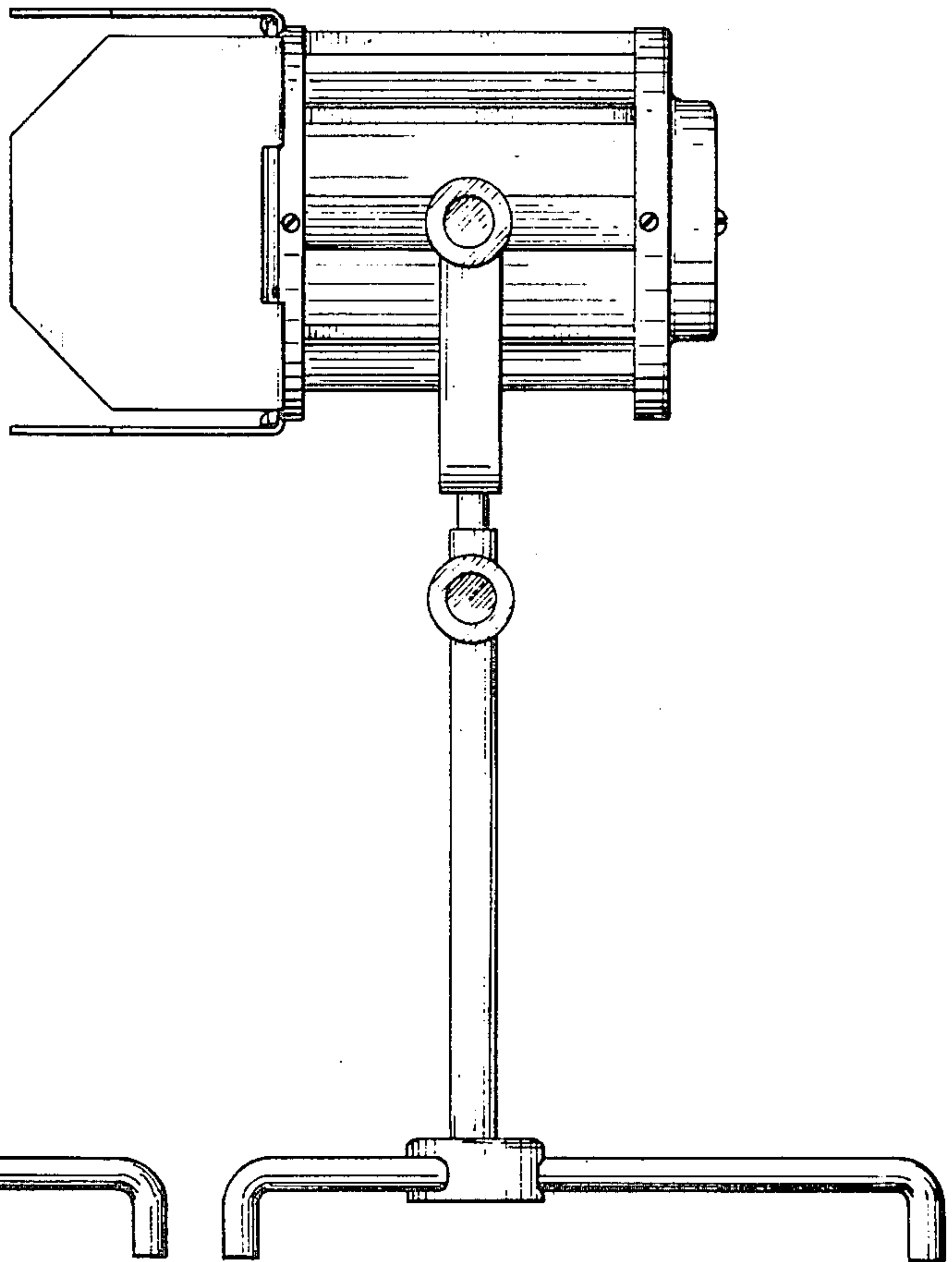


Fig. 2

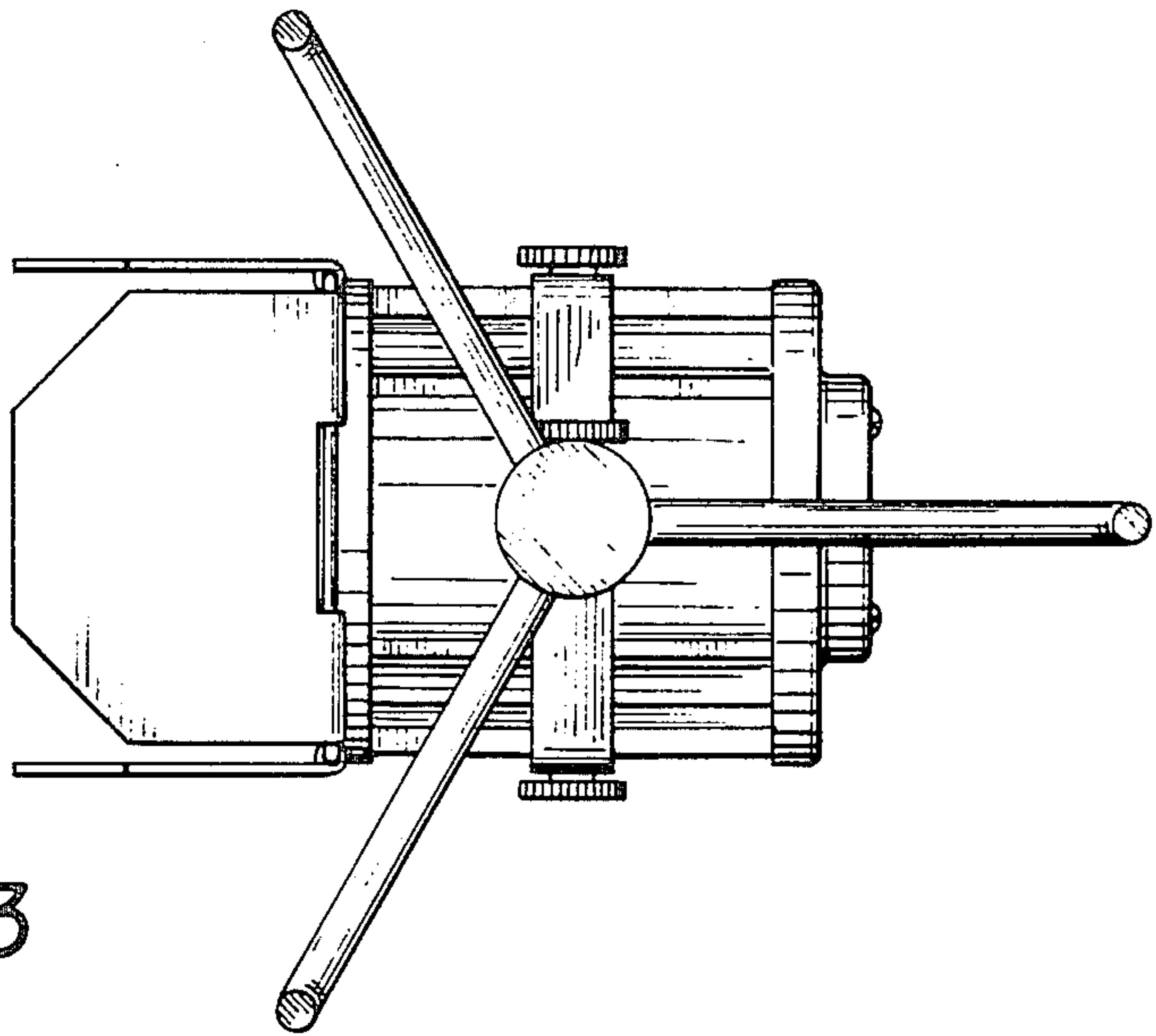


Fig. 3

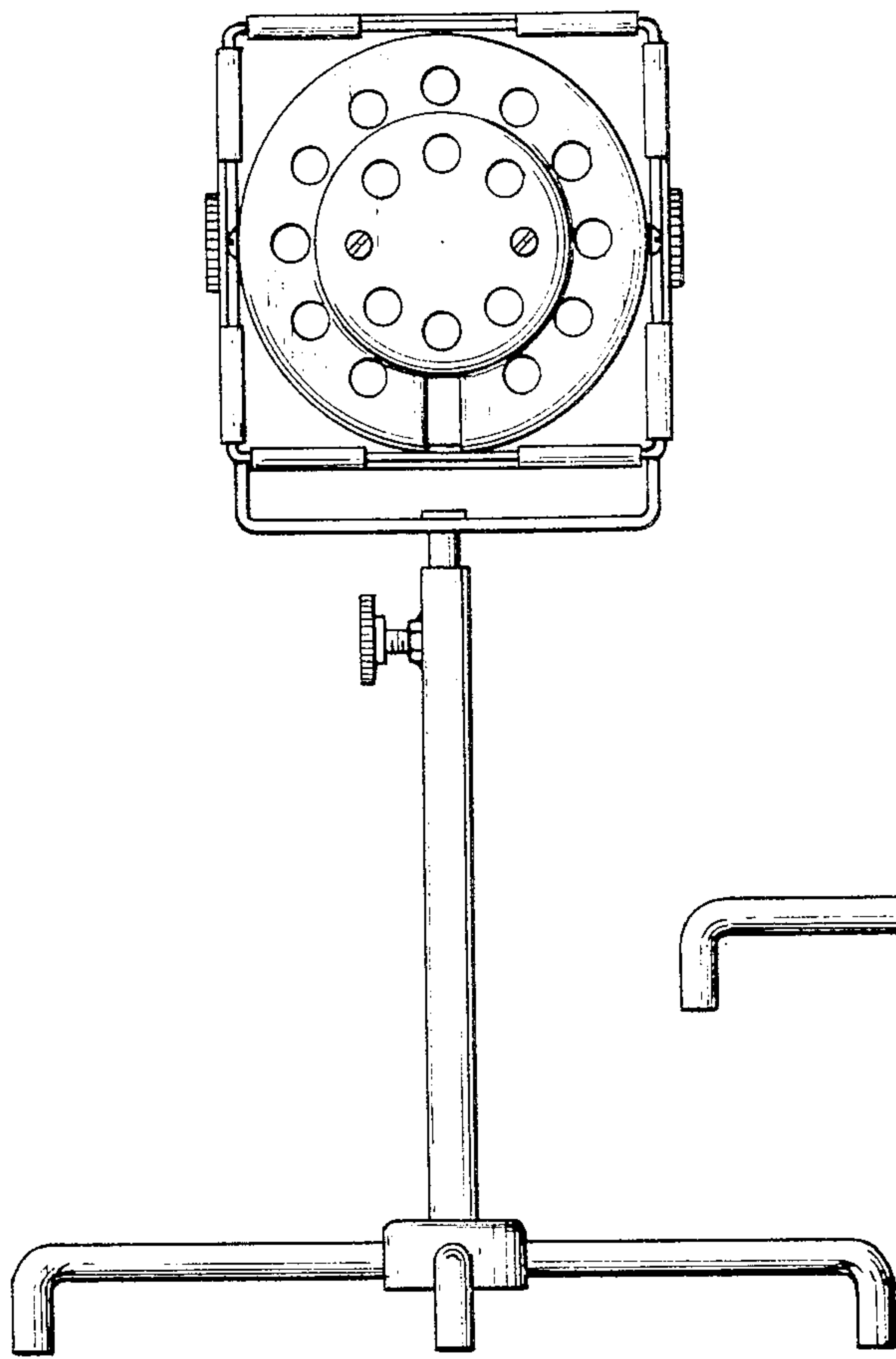


Fig. 5

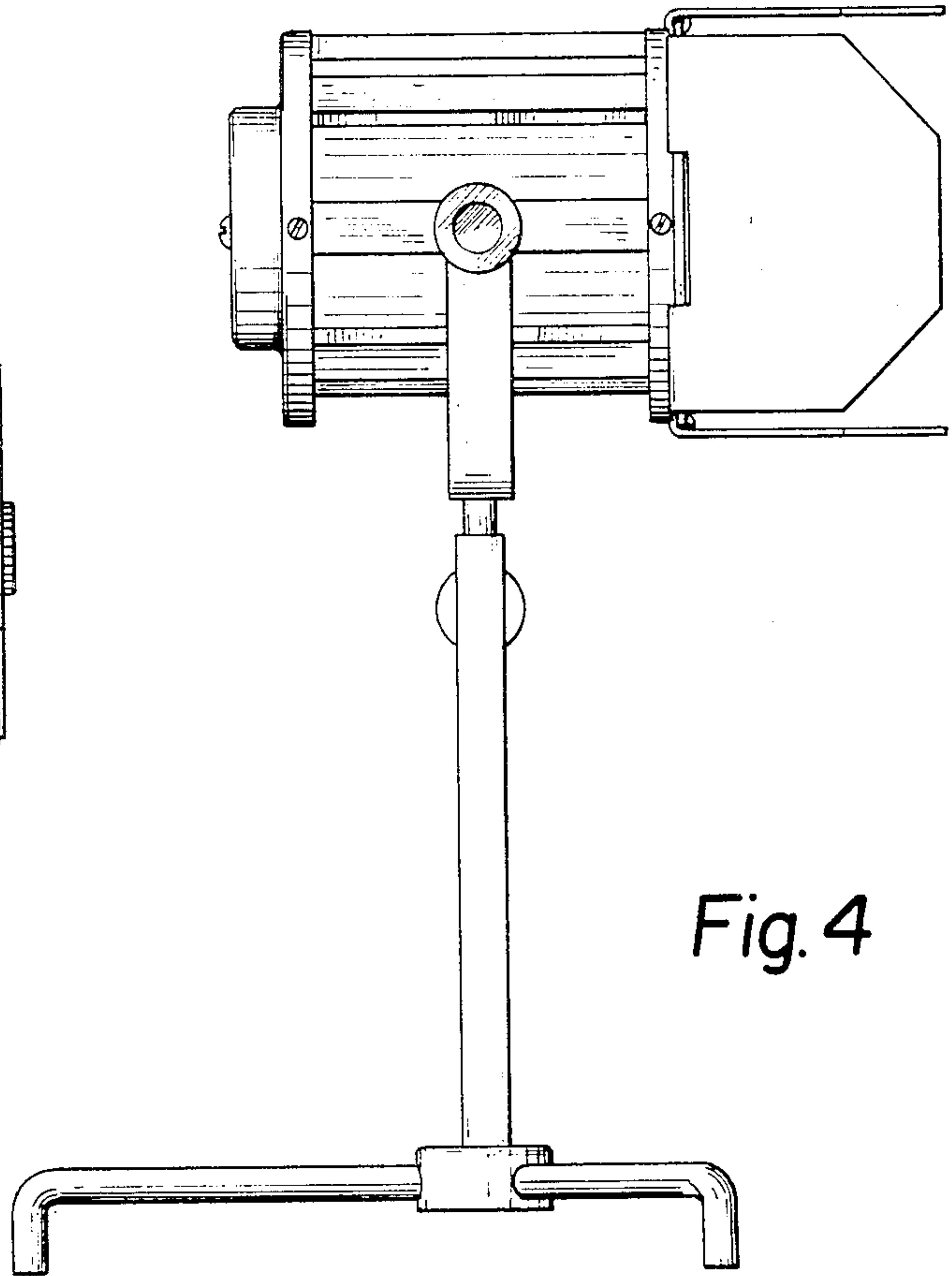


Fig. 4

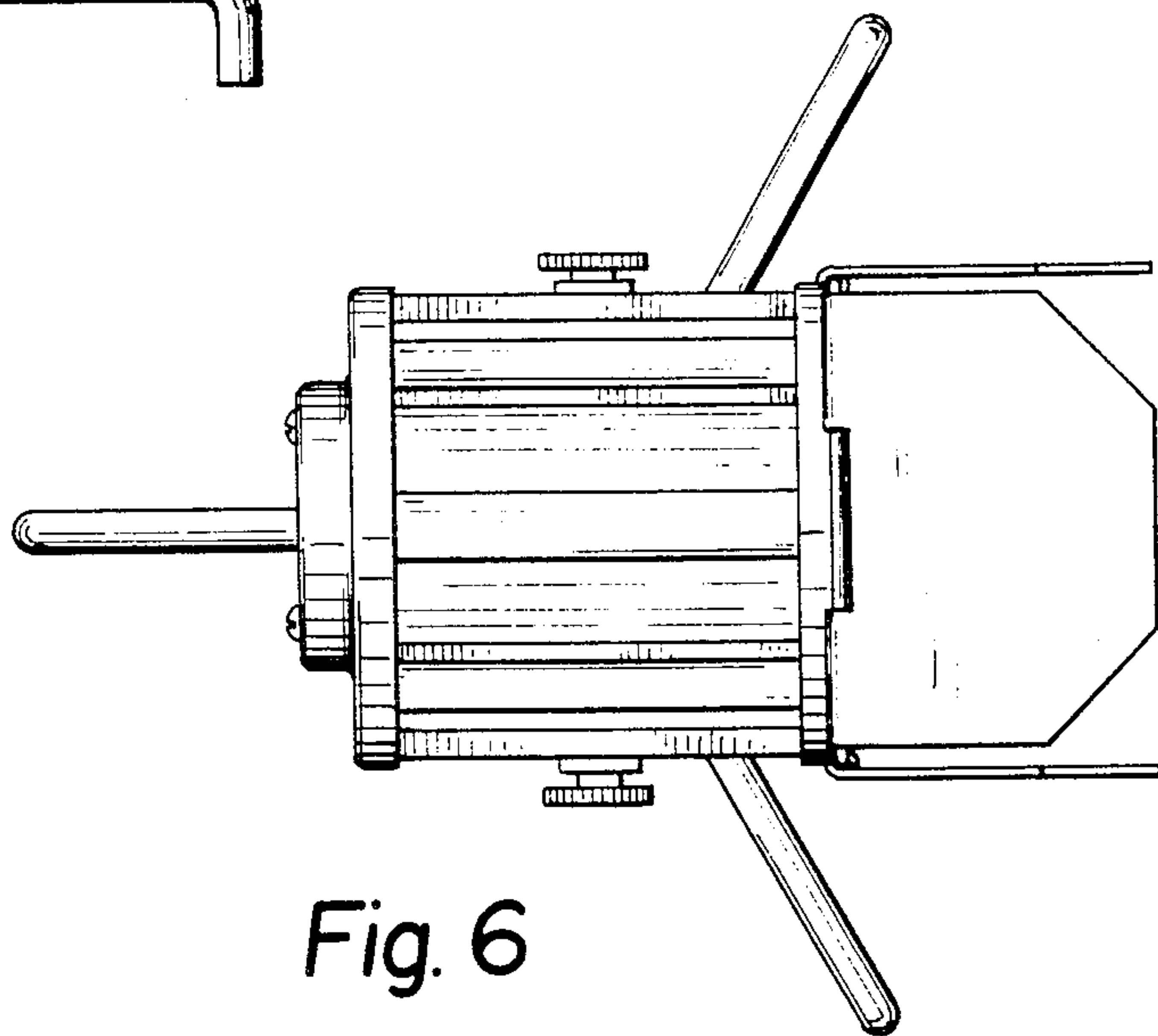


Fig. 6