

- [54] **COMBINED MEDICAL SUCTION AND LAVAGE HANDPIECE OR THE LIKE**
- [75] Inventors: **Robert W. Atkinson, Dover; Daniel H. Olson, Louisville, both of Ohio**
- [73] Assignee: **Snyder Laboratories, Inc., Dover, Ohio**
- [**] Term: **14 Years**
- [21] Appl. No.: **445,881**
- [22] Filed: **Dec. 1, 1982**
- [52] U.S. Cl. **D24/51; D24/8; D24/24**
- [58] **Field of Search** **D24/60, 8, 24, 51, 52, D24/59, 60, 61; D22/13, 1; 604/68, 69, 70, 71, 72, 30, 28, 33, 34; 433/88; 239/102; 128/66**

[56] **References Cited**

U.S. PATENT DOCUMENTS

2,356,865	8/1944	Mason	299/140
2,653,603	9/1953	Hein, Jr.	604/71
3,065,749	11/1962	Brass	433/88
3,292,622	12/1966	Banker	604/70
3,308,818	3/1967	Rutkowski	604/69
3,749,090	7/1973	Stewart	604/33
3,889,675	6/1975	Stewart	604/34
3,912,168	10/1975	Mullins et al.	239/102
3,993,054	11/1976	Newman	128/66
4,090,512	5/1978	Doherty et al.	604/68
4,215,476	8/1980	Armstrong	433/80
4,278,078	7/1981	Smith	128/66
4,294,251	10/1981	Greenwald et al.	604/28

4,299,221	11/1981	Phillips et al.	604/30
4,400,168	8/1983	Buechel et al.	604/84
4,400,171	8/1983	Dettbarn et al.	604/68

FOREIGN PATENT DOCUMENTS

2339407	8/1977	France	604/71
202535	3/1966	Sweden	604/70
1602277	11/1981	United Kingdom	.

OTHER PUBLICATIONS

Ad from *Journal of Bone and Joint Surgery*, Sep. 1981
63-A STRYKER® SysTec® for improved cement fixation, Stryker Corporation.

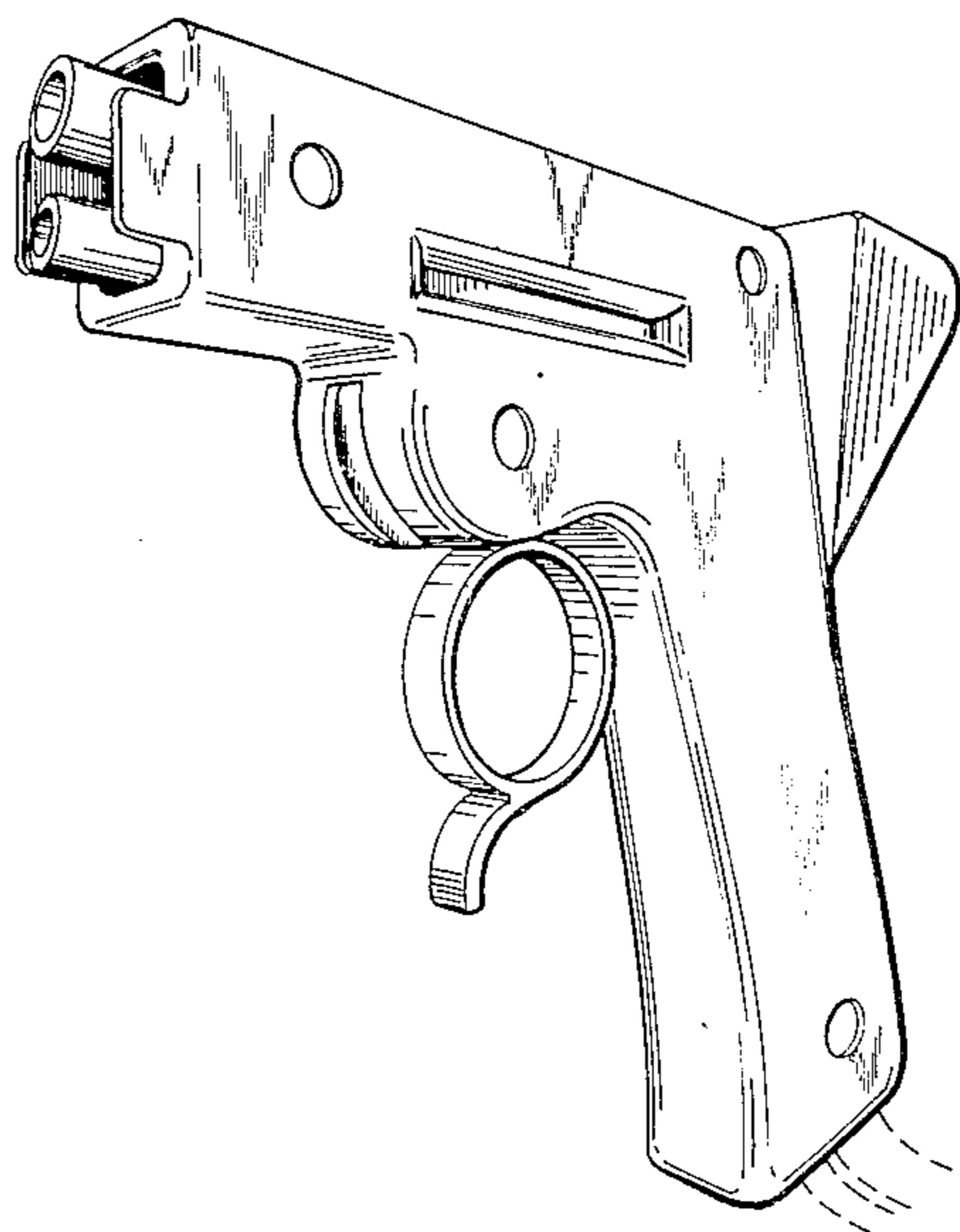
Primary Examiner—A. Hugo Word
Attorney, Agent, or Firm—Margaret L. Geringer

[57] **CLAIM**

The ornamental design for a combined medical suction and lavage handpiece or the like, as shown and described.

DESCRIPTION

FIG. 1 is a left side perspective view of a combined medical suction and lavage handpiece or the like showing our new design;
FIG. 2 is a left side elevational view thereof;
FIG. 3 is a top plan view thereof;
FIG. 4 is a bottom plan view thereof;
FIG. 5 is a front elevational view thereof;
FIG. 6 is a rear elevational view thereof;
The broken lines are shown for illustrative purposes only and form no part of the claimed design.



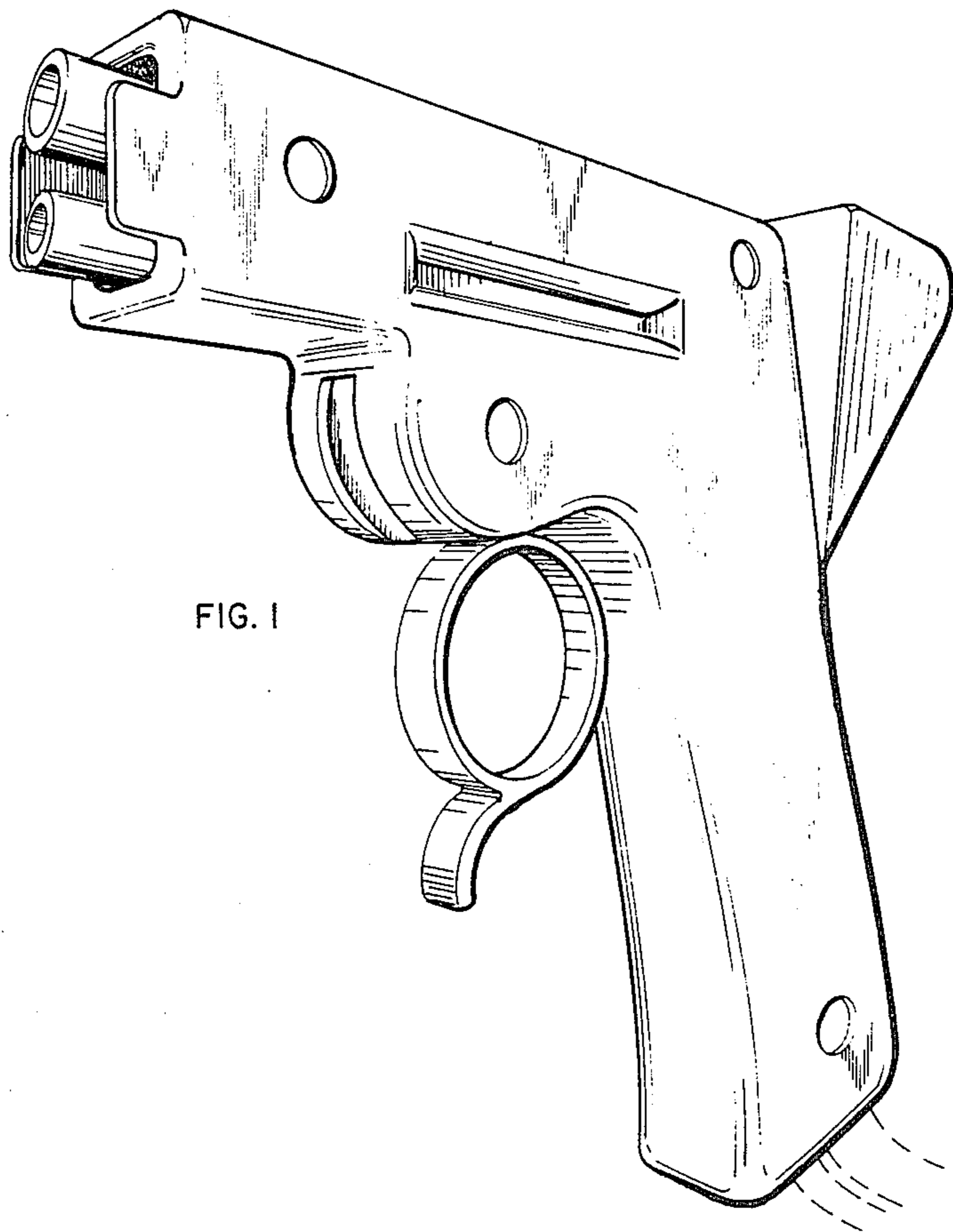


FIG. 1

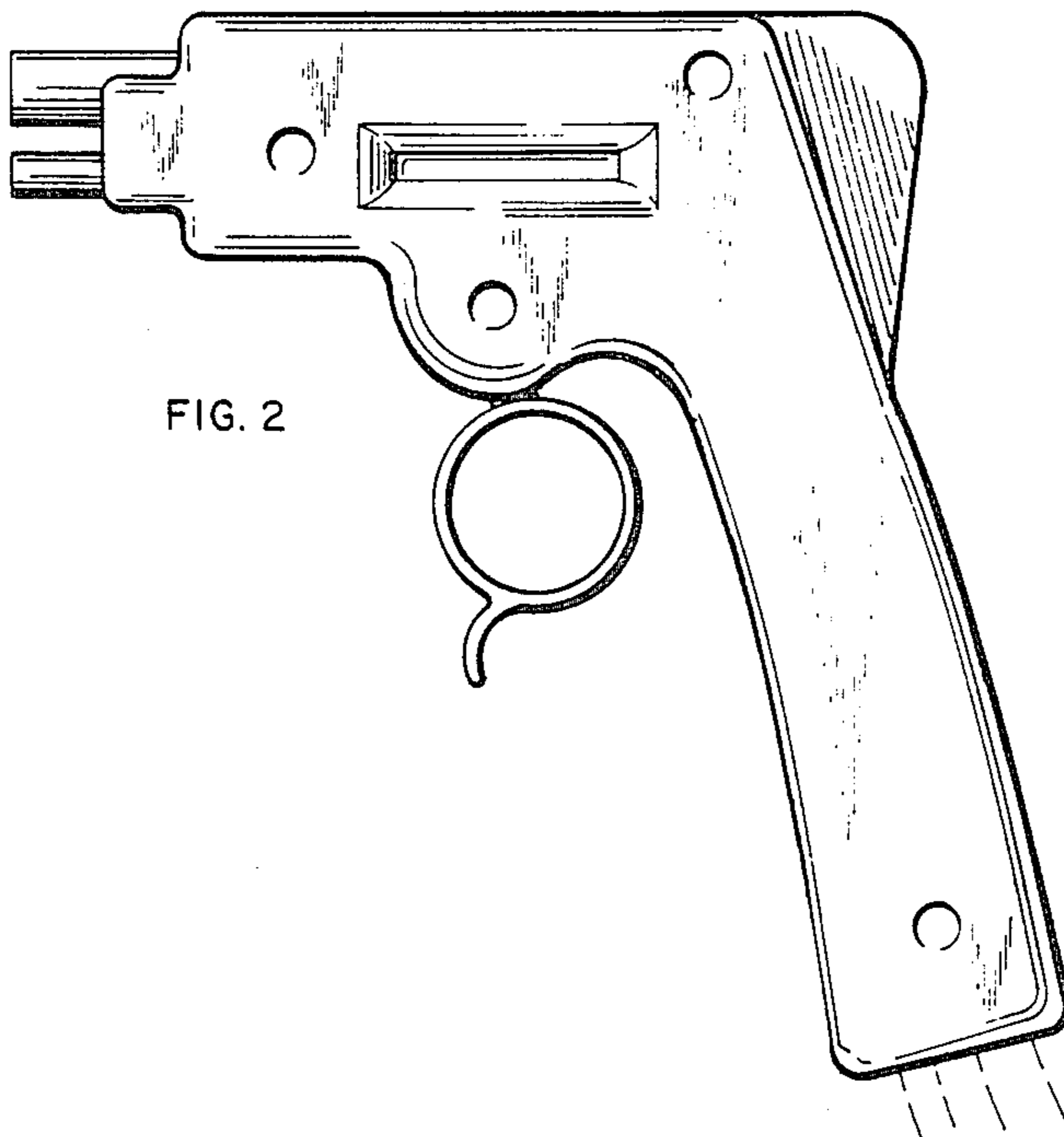


FIG. 2

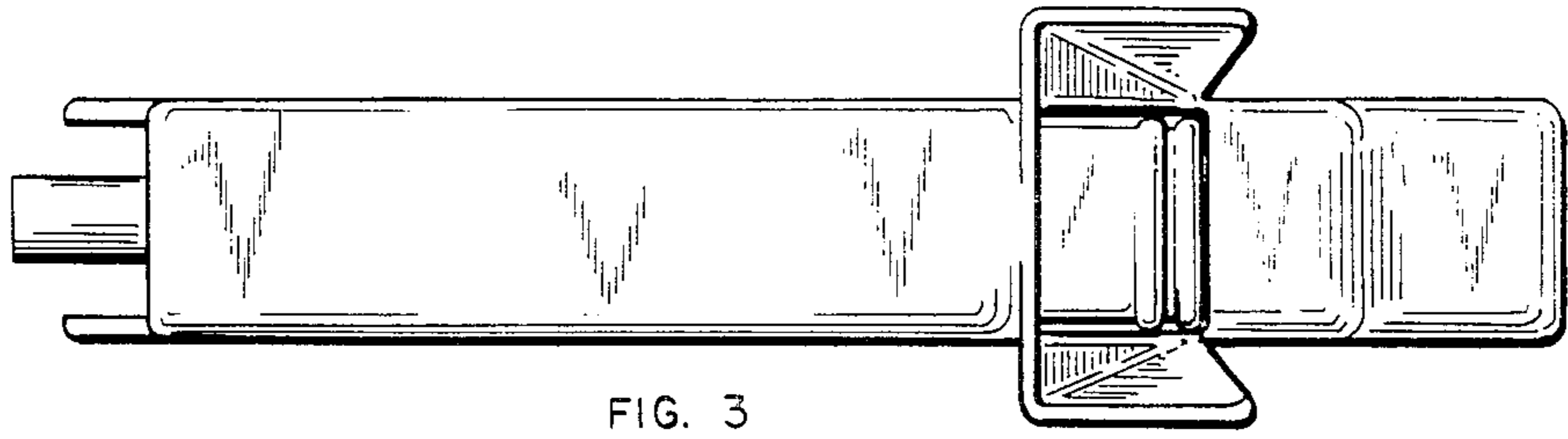


FIG. 3

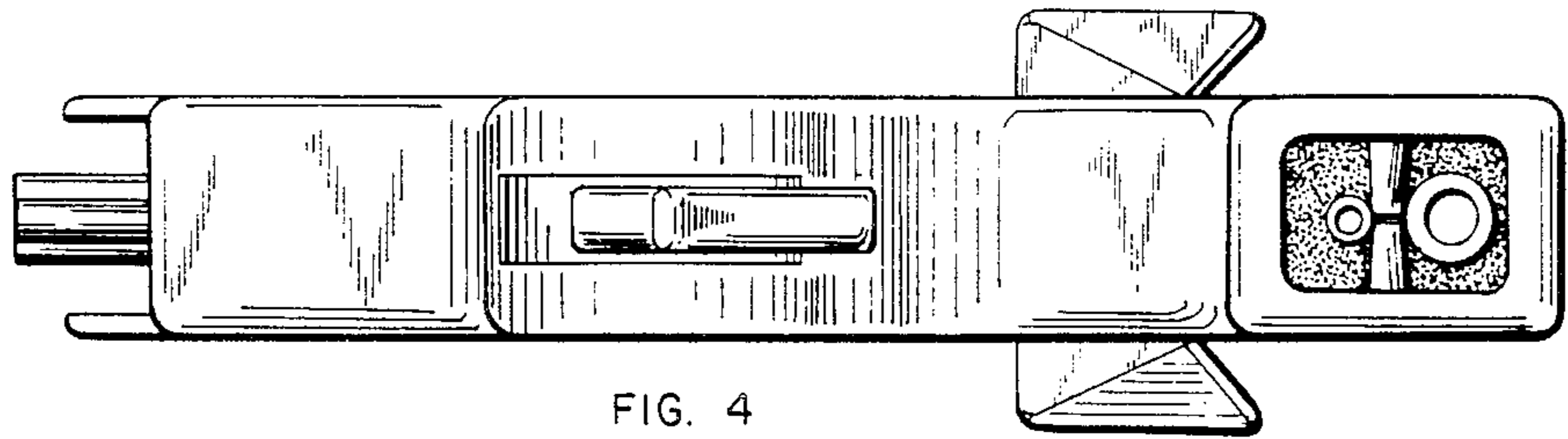


FIG. 4

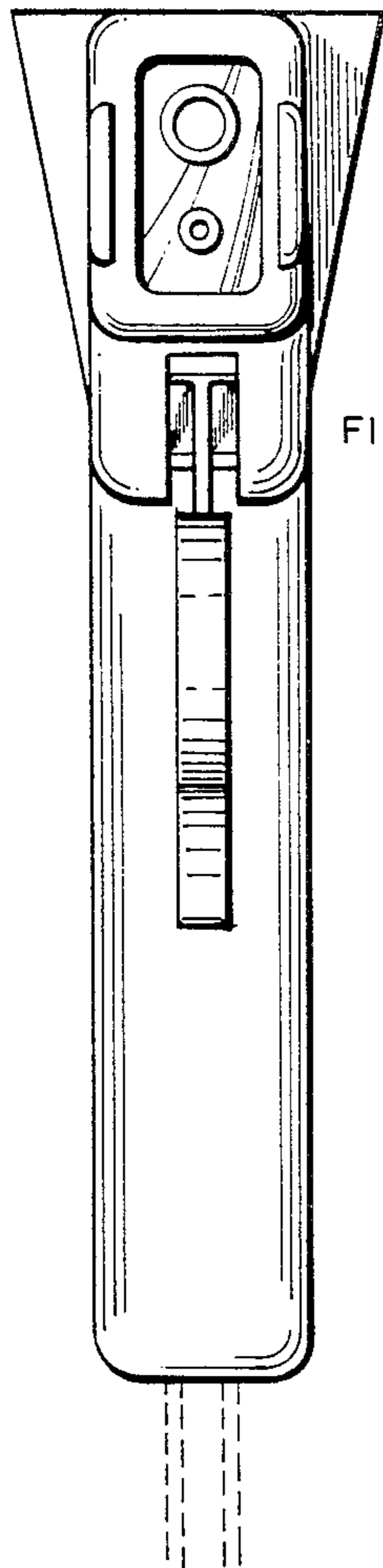


FIG. 5

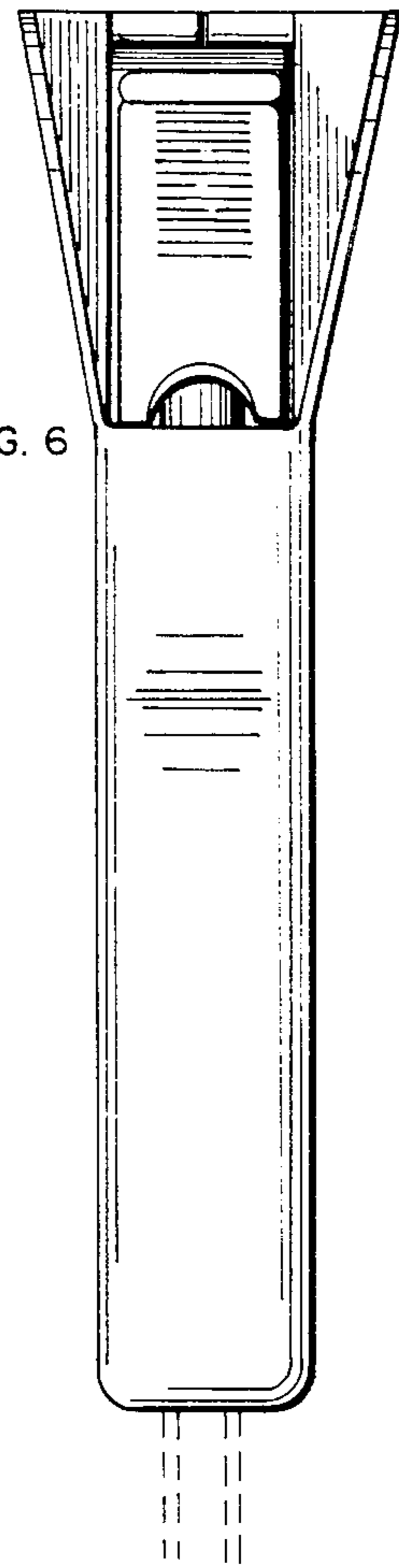


FIG. 6