

[54] CORNER FIREPLACE DOORS AND PANEL

[76] Inventor: Robert J. Ehmke, W169 N10502 Pheasant Run, Germantown, Wis. 53022

[**] Term: 14 Years

[21] Appl. No.: 527,010

[22] Filed: Aug. 29, 1983

[52] U.S. Cl. D23/128; D23/138.3

[58] Field of Search D23/93-97, D23/128, 138.1, 138.3; 126/120, 121, 123, 126, 138-140, 190, 200, 202

[56] References Cited

U.S. PATENT DOCUMENTS

4,181,117 1/1980 Hannebaum 126/120
4,273,096 6/1981 Hannebaum 126/120

FOREIGN PATENT DOCUMENTS

3011364 10/1981 Fed. Rep. of Germany 126/202

OTHER PUBLICATIONS

Robert Jos. Ehmke, Corner Fireplace Doors 1982 as illustrated in Exhibit 1.

Primary Examiner—Catherine E. Kemper

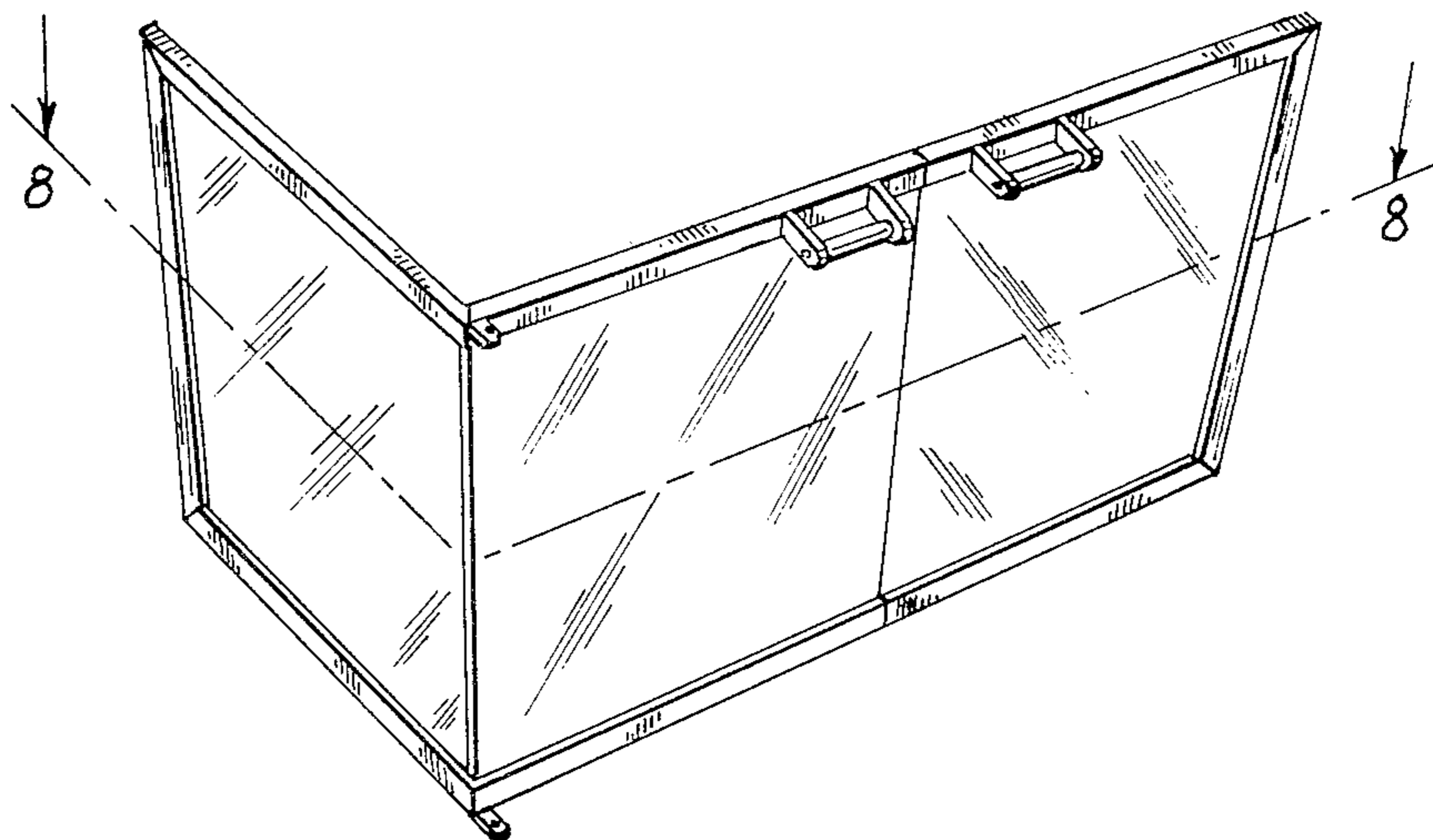
Attorney, Agent, or Firm—Quarles & Brady

[57] CLAIM

The ornamental design for a corner fireplace doors and panel, as shown and described.

DESCRIPTION

FIG. 1 is a perspective view of a corner fireplace doors and panel, showing my new design;
FIG. 2 is a perspective view thereof, shown with the doors open;
FIG. 3 is a left side elevational view of the device as shown in FIG. 1;
FIG. 4 is a front elevational view of the device as shown in FIG. 1;
FIG. 5 is a top plan view, the bottom being a mirror image thereof;
FIG. 6 is a perspective view shown with the doors opened further than in FIG. 2;
FIG. 7 is a front elevational view of the device as shown in FIG. 6;
FIG. 8 is a sectional view taken along line 8—8 of FIG. 1;
FIG. 9 is a right side elevational view of the device as shown in FIG. 1; and
FIG. 10 is a rear elevational view of the device as shown in FIG. 1.



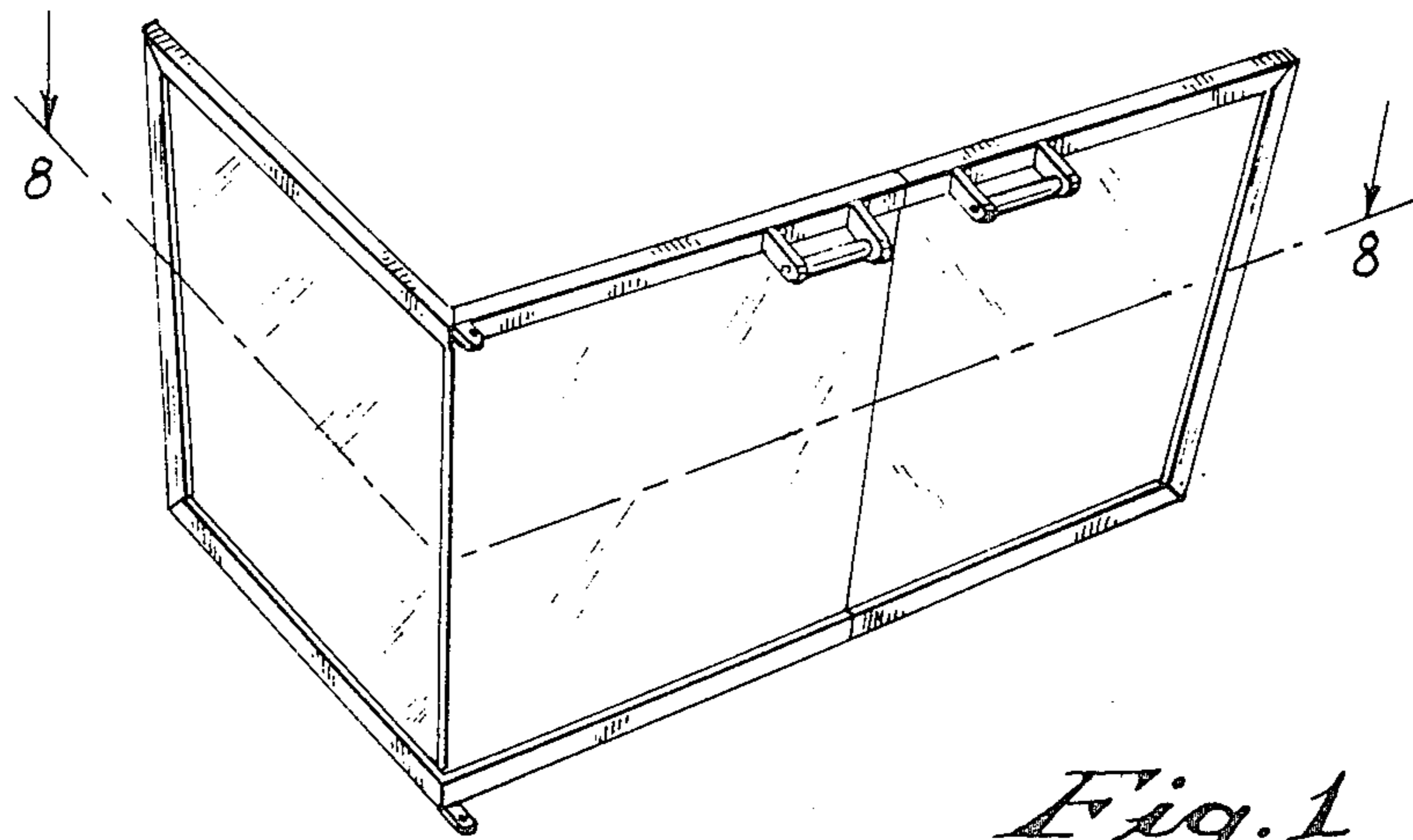


Fig. 1

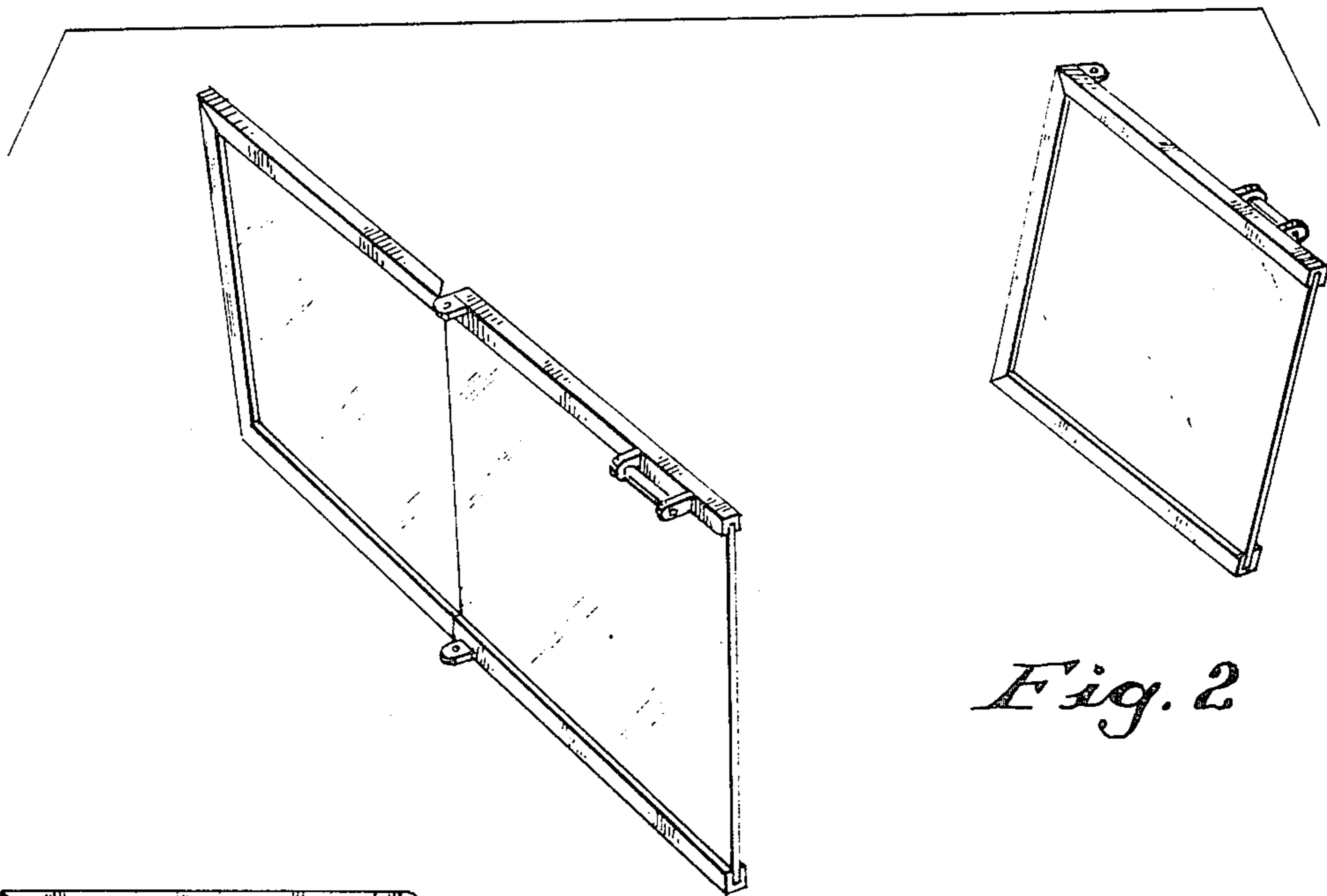


Fig. 2

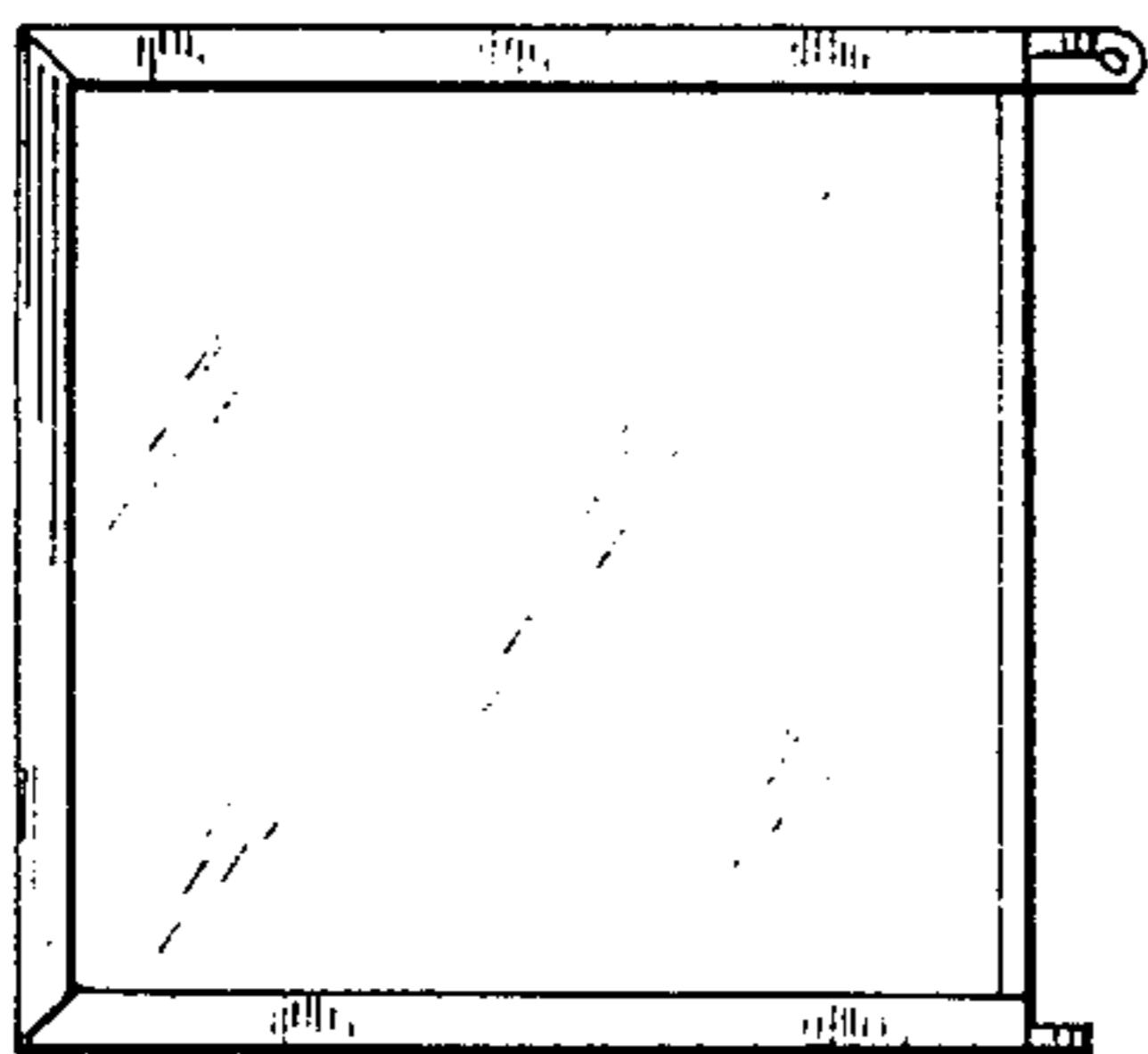


Fig. 3

Fig. 4

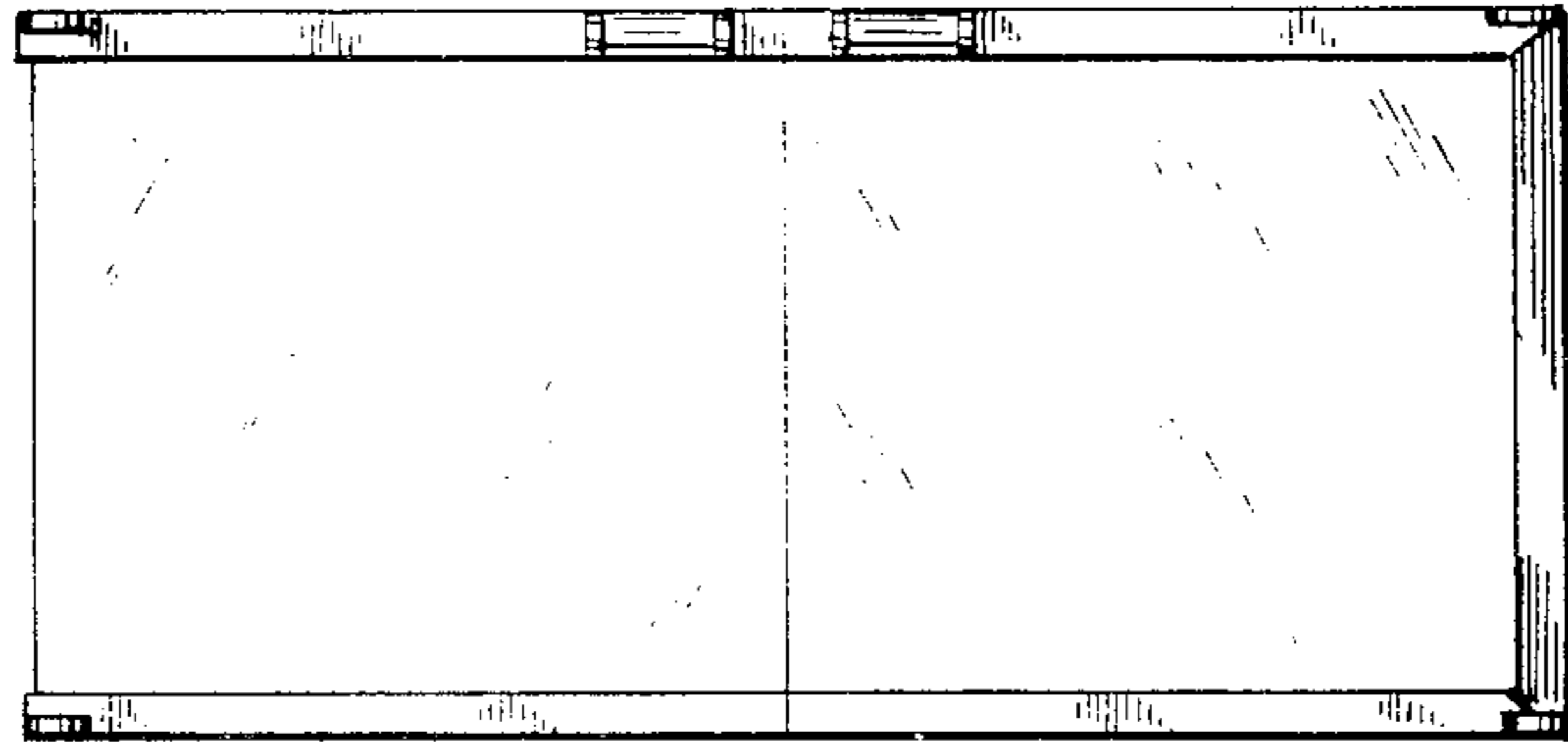
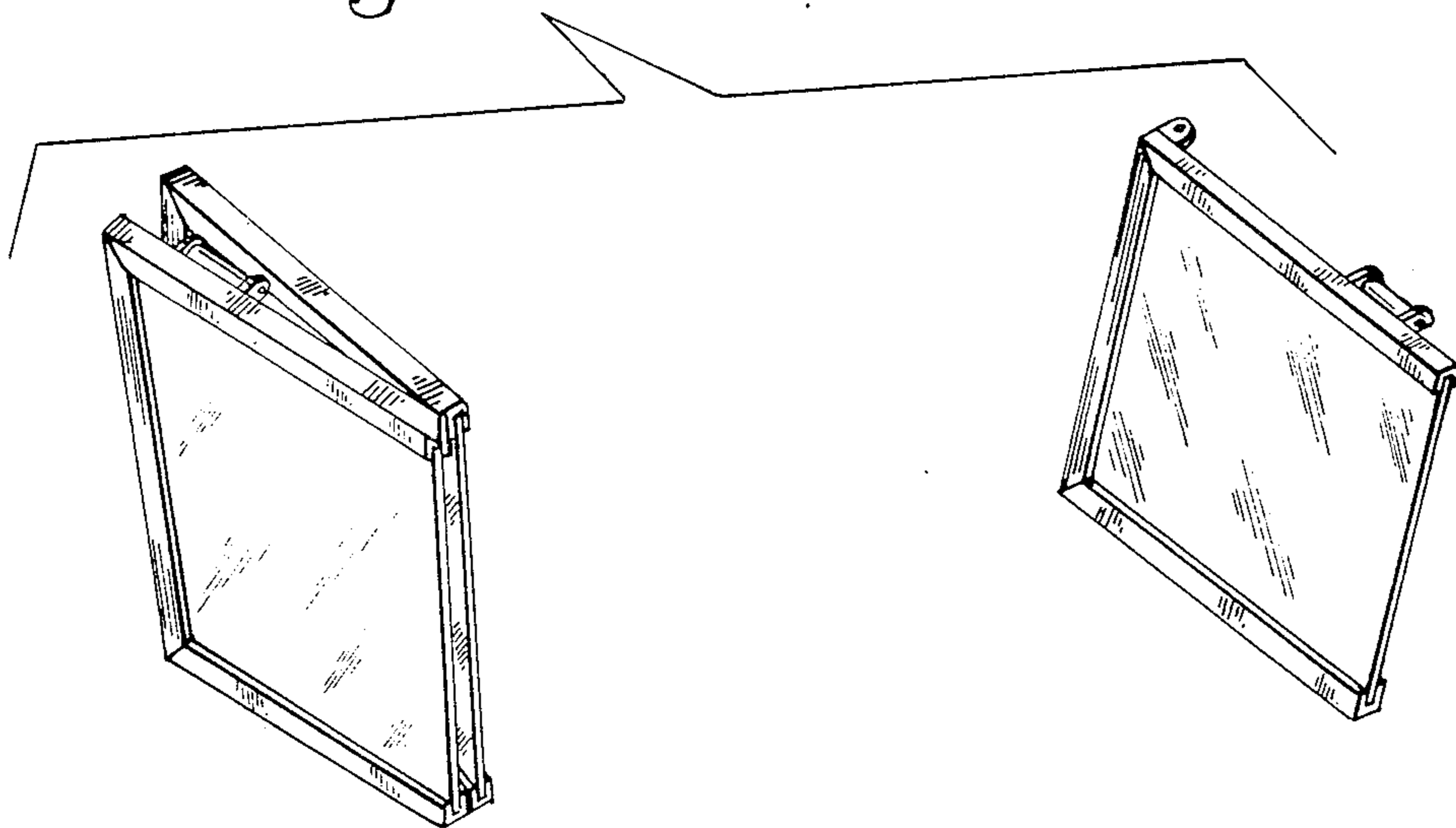


Fig. 5



Fig. 6



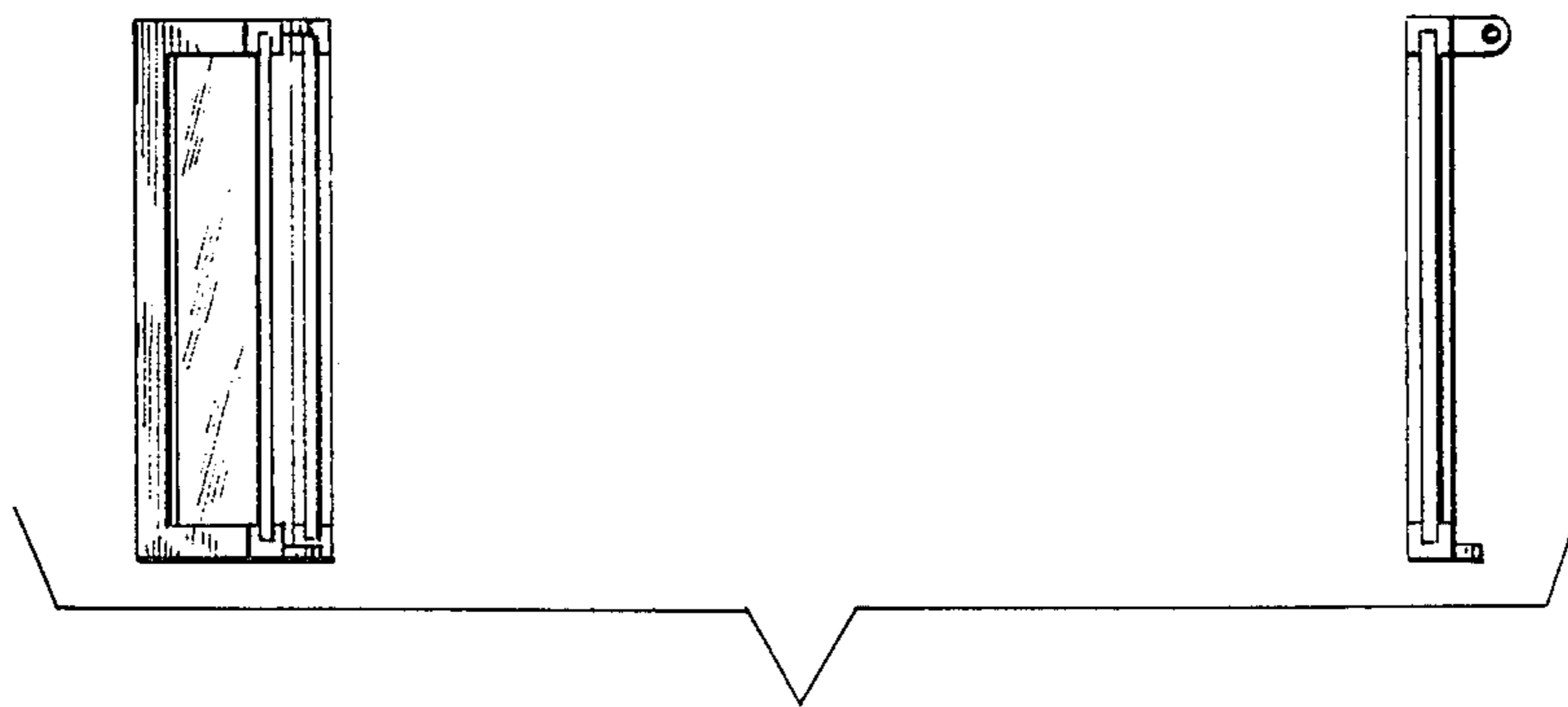


Fig. 7

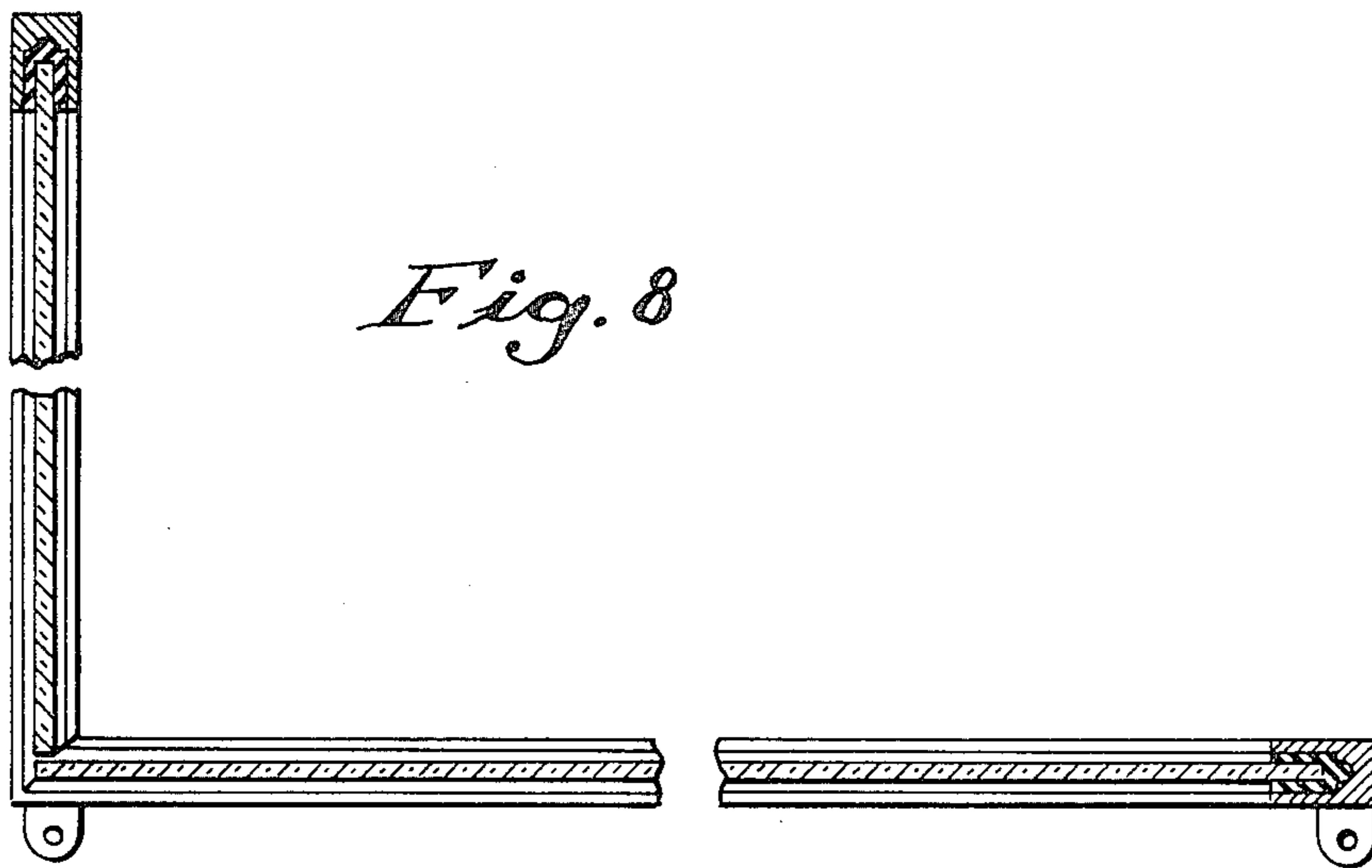


Fig. 8

Fig. 9

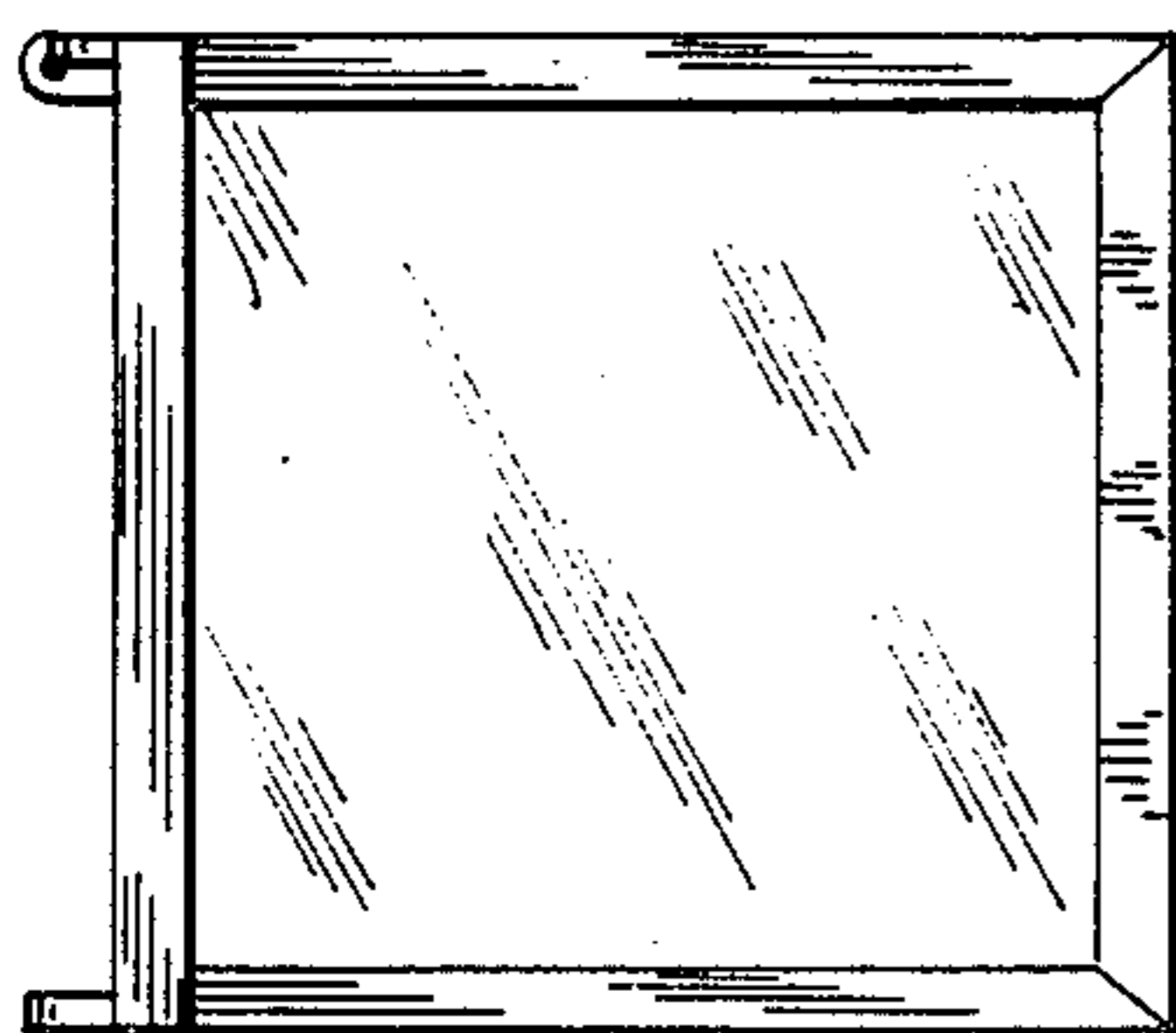


Fig. 10

