

[54] HEATING PLATE

[75] Inventor: Jaime F. Cenefels, Barcelona, Spain

[73] Assignee: Raivi S.A., Barcelona, Spain

[\*\*] Term: 14 Years

[21] Appl. No.: 315,483

[22] Filed: Oct. 27, 1981

[52] U.S. Cl. .... D23/123

[58] Field of Search ..... D23/122, 123, 124;  
219/342, 345, 346, 347, 365, 366

[56] References Cited

U.S. PATENT DOCUMENTS

- D. 33,524 11/1974 Beldarrain ..... D23/123
- D. 172,503 6/1954 Johnson ..... D23/124
- D. 180,840 8/1957 Nathanson ..... D23/123
- D. 225,229 11/1972 Cook ..... D23/123
- 3,153,138 10/1964 Goldstein ..... 219/342

- 3,767,895 10/1973 Needham ..... 219/342 X
- 4,004,128 1/1977 Marchesi ..... 219/342 X

FOREIGN PATENT DOCUMENTS

- 257764 10/1967 Austria ..... 219/345

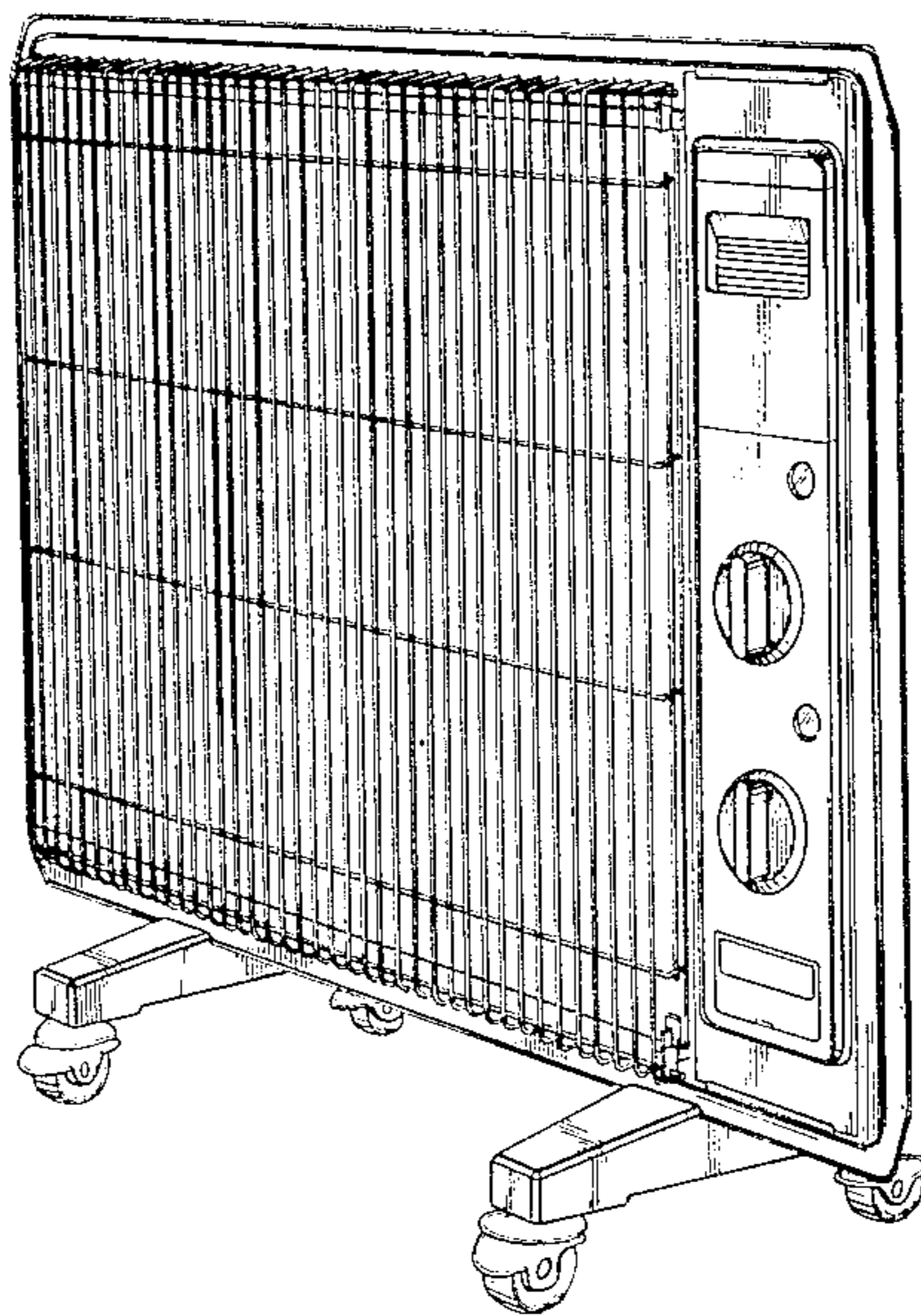
Primary Examiner—Catherine E. Kemper  
Attorney, Agent, or Firm—Holman & Stern

[57] CLAIM

The ornamental design of a heating plate, as shown.

DESCRIPTION

FIG. 1 is a front elevational view of a heating plate showing my new design;  
 FIG. 2 is a rear elevational view thereof;  
 FIG. 3 is a top plan view thereof;  
 FIG. 4 is bottom plan view thereof;  
 FIG. 5 is a right side elevational view thereof;  
 FIG. 6 is a left side elevational view thereof;  
 FIG. 7 is a front perspective thereof; and  
 FIG. 8 is a rear perspective thereof.



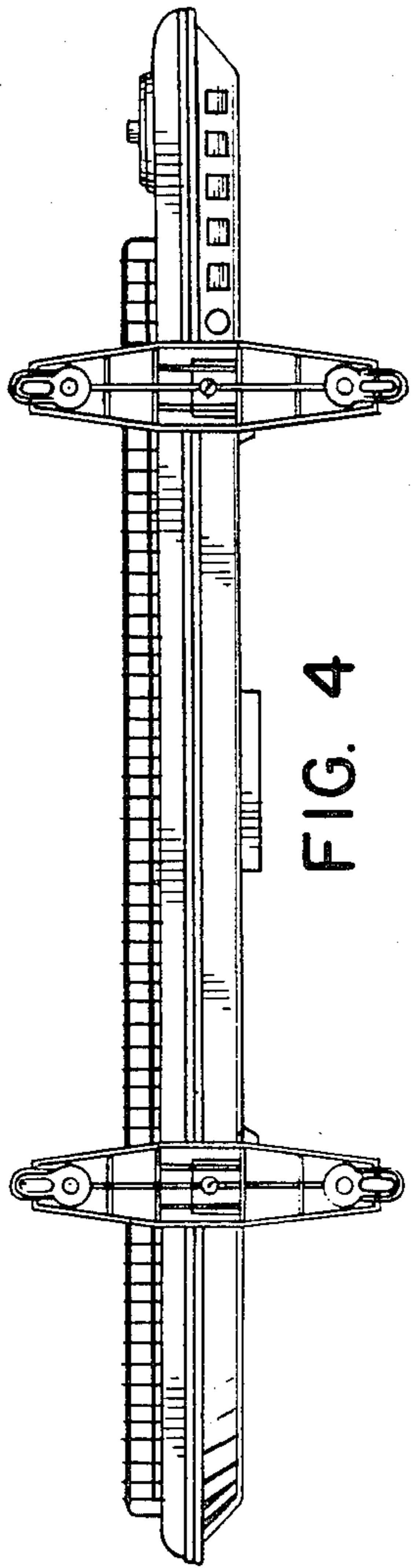


FIG. 4

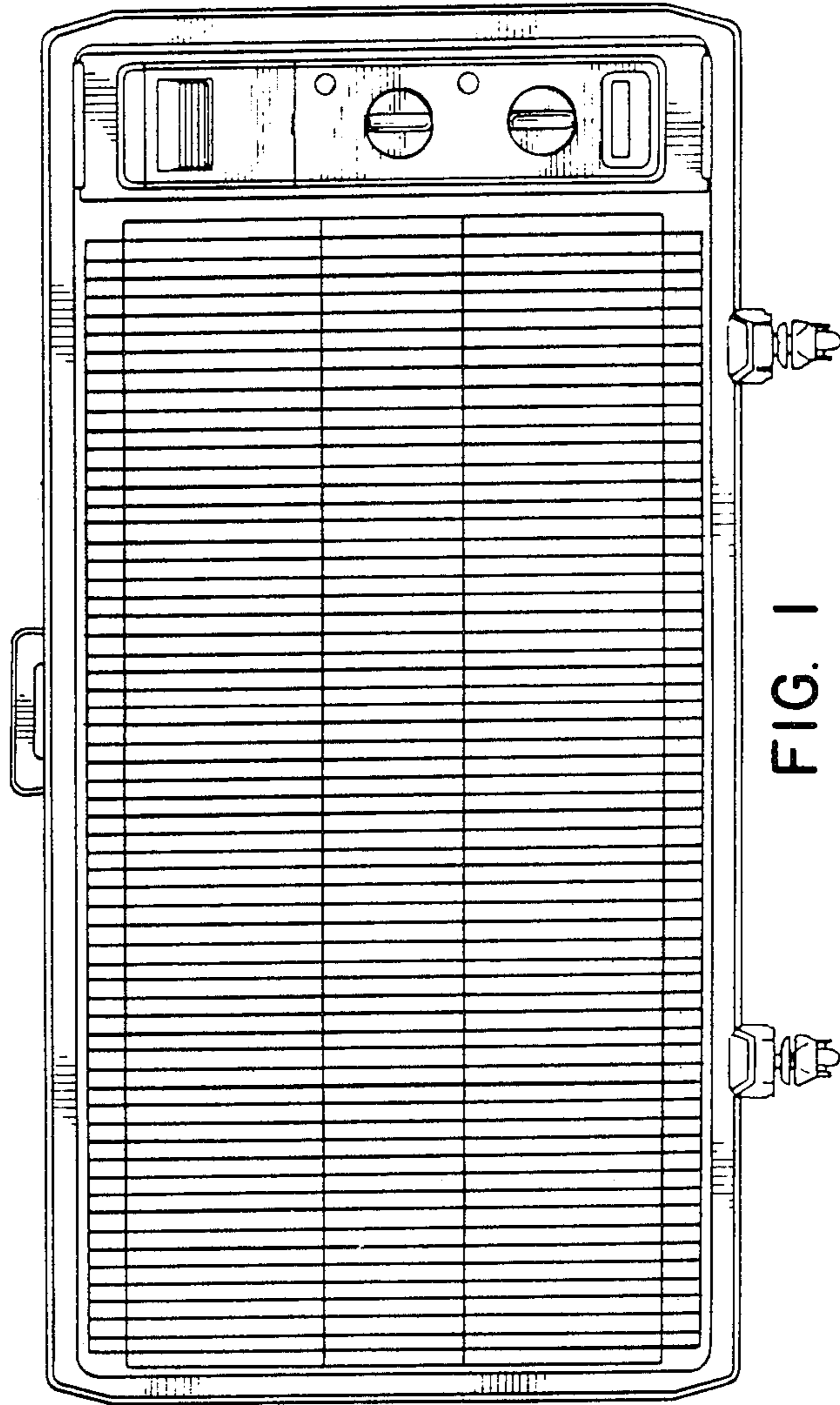


FIG. 1

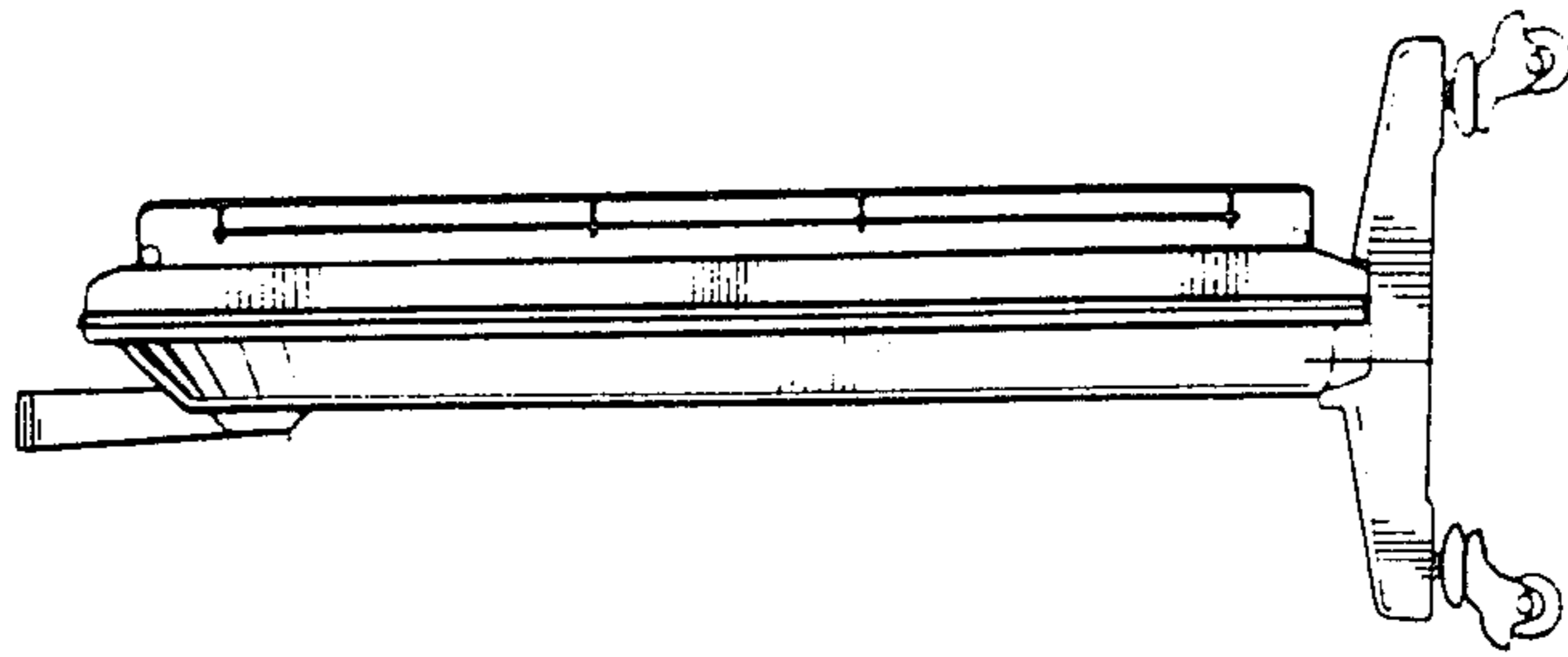


FIG. 5

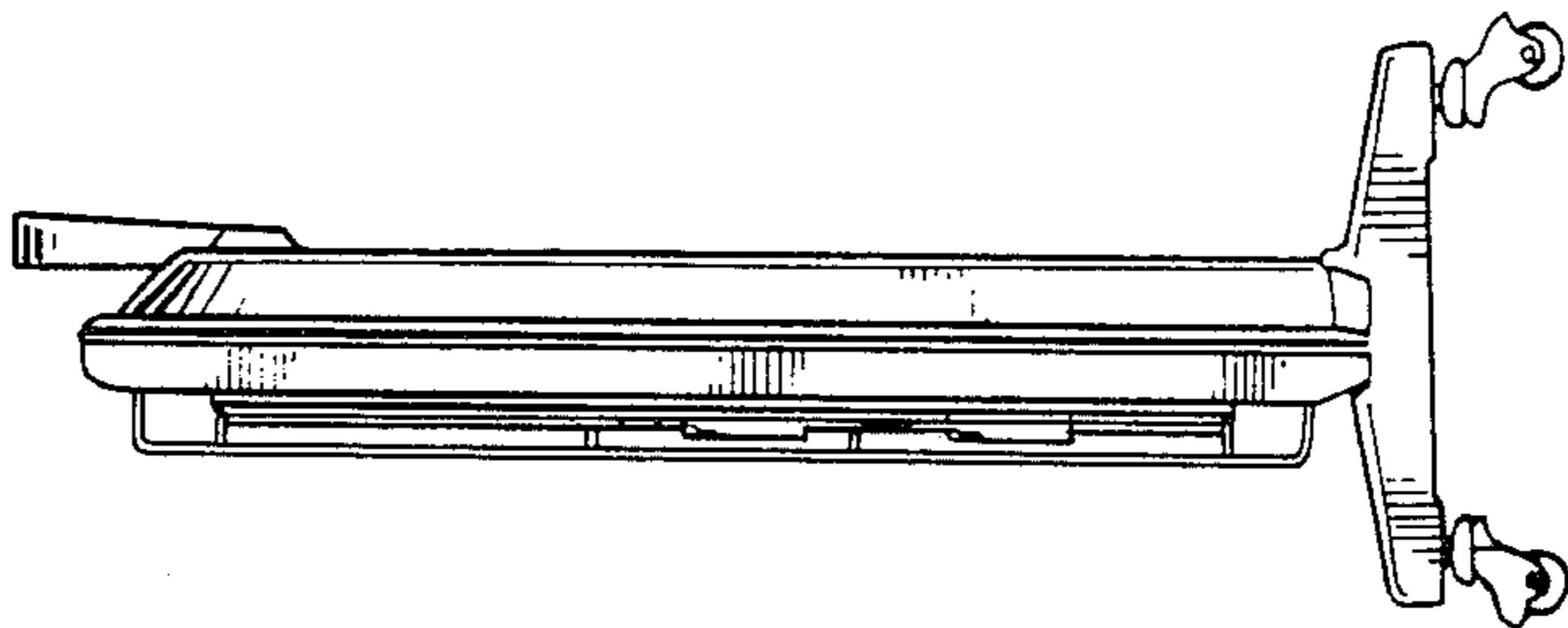


FIG. 6

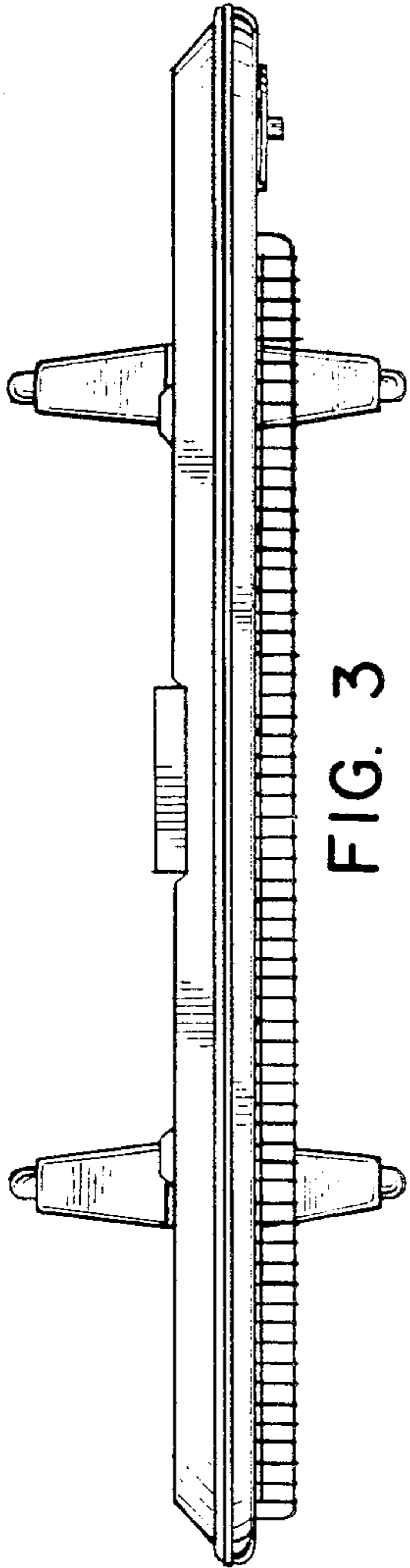


FIG. 3

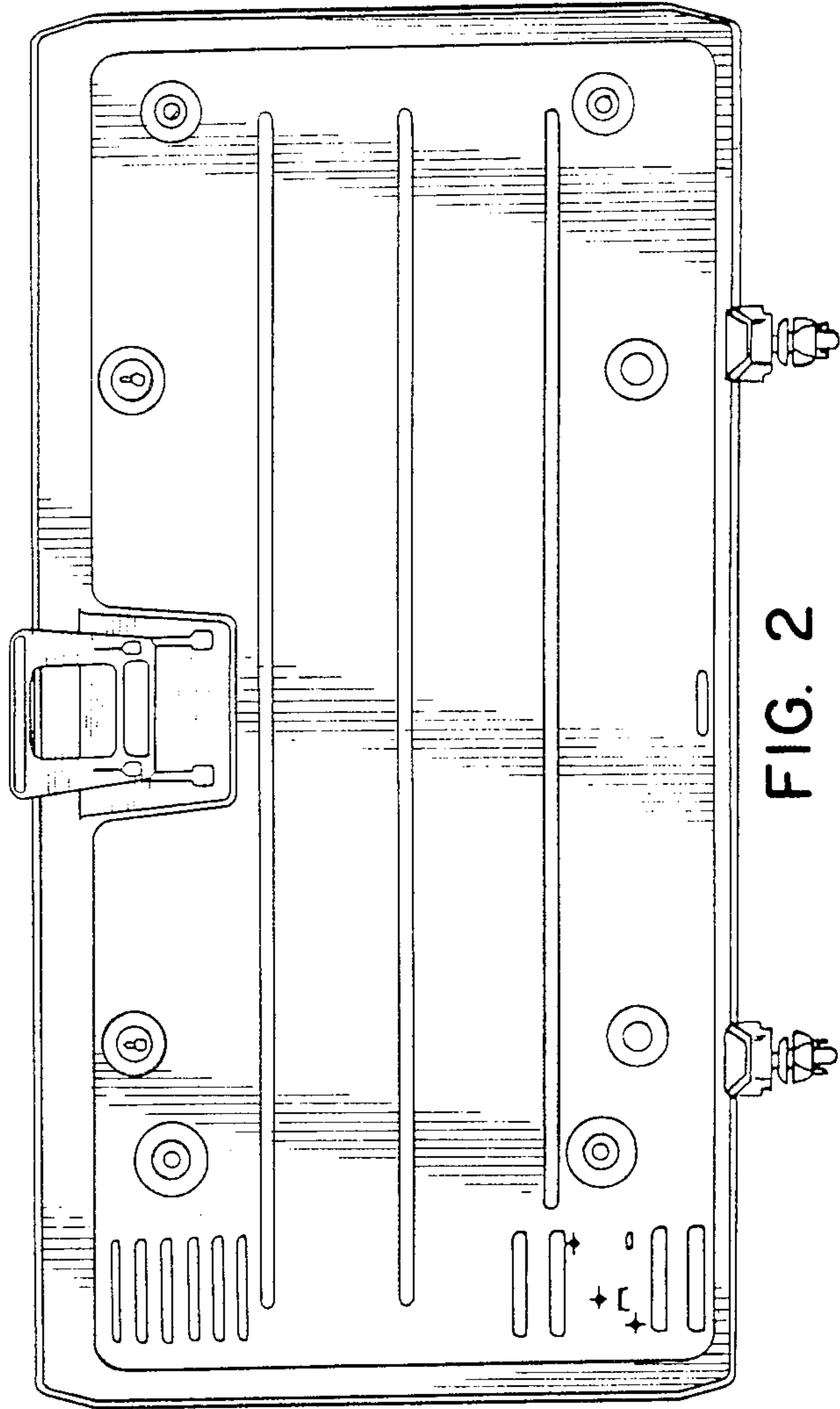


FIG. 2



FIG. 7

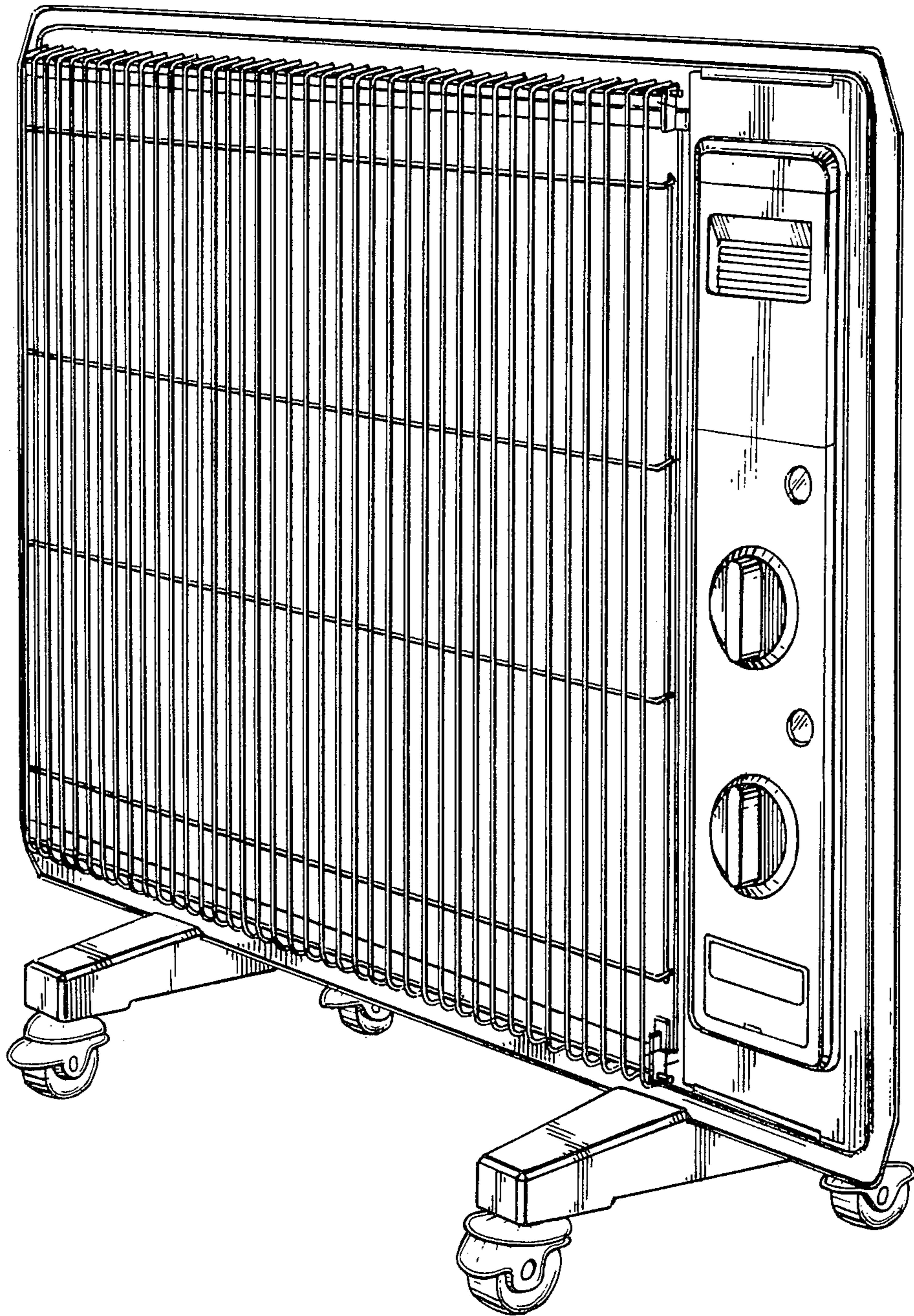


FIG. 8

