

[54] PIN SETTER RETURN TRACK MOUNTING BRIDGE

3,822,882 7/1974 Easterly 273/49

[75] Inventors: Richard D. Lenhart, Arvada; Roger D. Lindblad, Westminster, both of Colo.

Primary Examiner—Melvin B. Feifer
Attorney, Agent, or Firm—Fields, Lewis, Pittenger & Rost

[73] Assignee: Zot Manufacturing Company, Arvada, Colo.

[57] CLAIM

The ornamental design for a pin setter return track mounting bridge, as shown.

[**] Term: 14 Years

DESCRIPTION

[21] Appl. No.: 485,710

FIG. 1 is a front elevational perspective view of the pin setter return track mounting bridge showing our new design;

[22] Filed: Apr. 18, 1983

FIG. 2 is a right side view in elevation;

[52] U.S. Cl. D21/233

FIG. 3 is a left side view in elevation;

[58] Field of Search D21/233; 273/49

FIG. 4 is a rear view thereof;

[56] References Cited

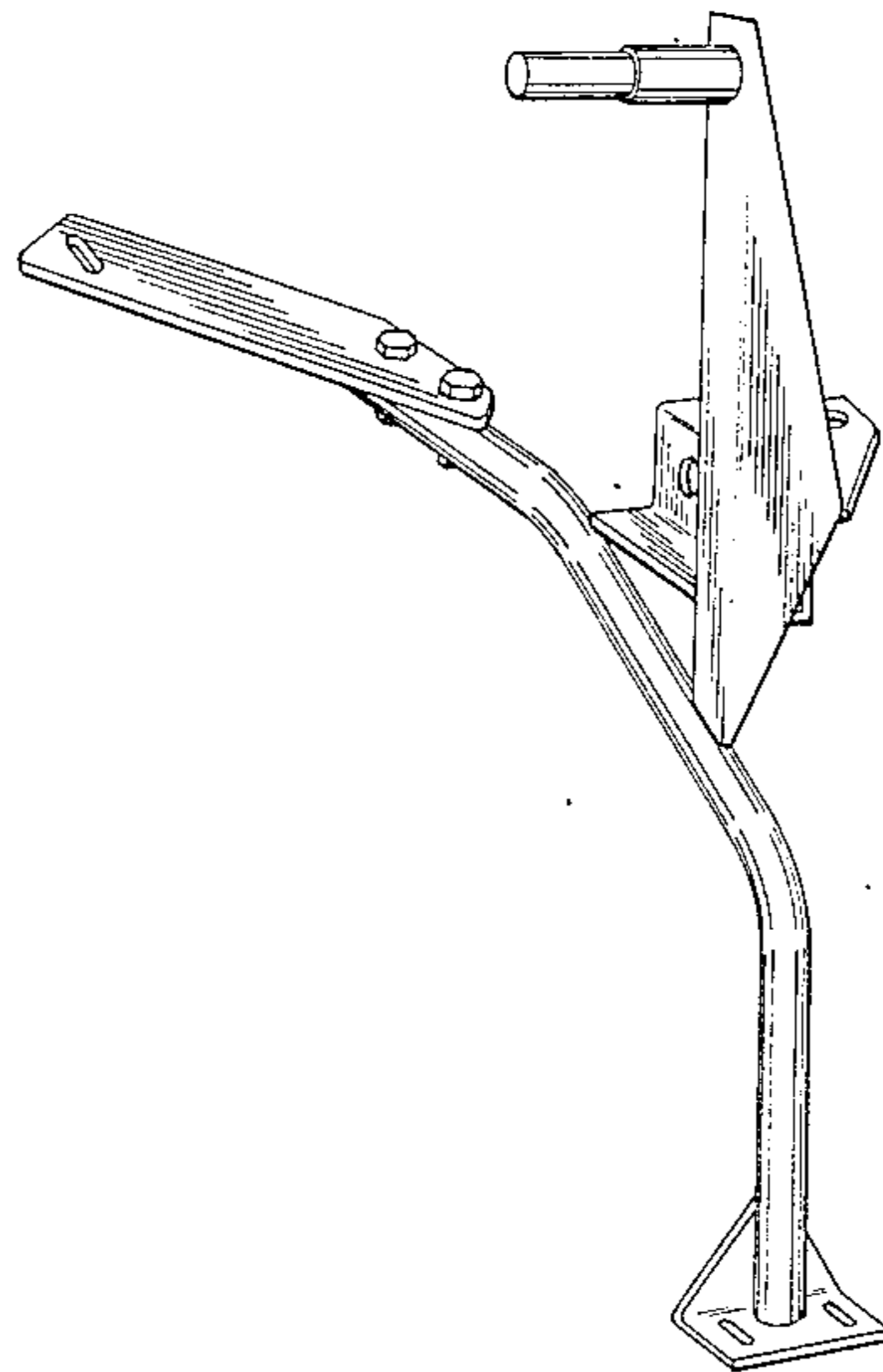
U.S. PATENT DOCUMENTS

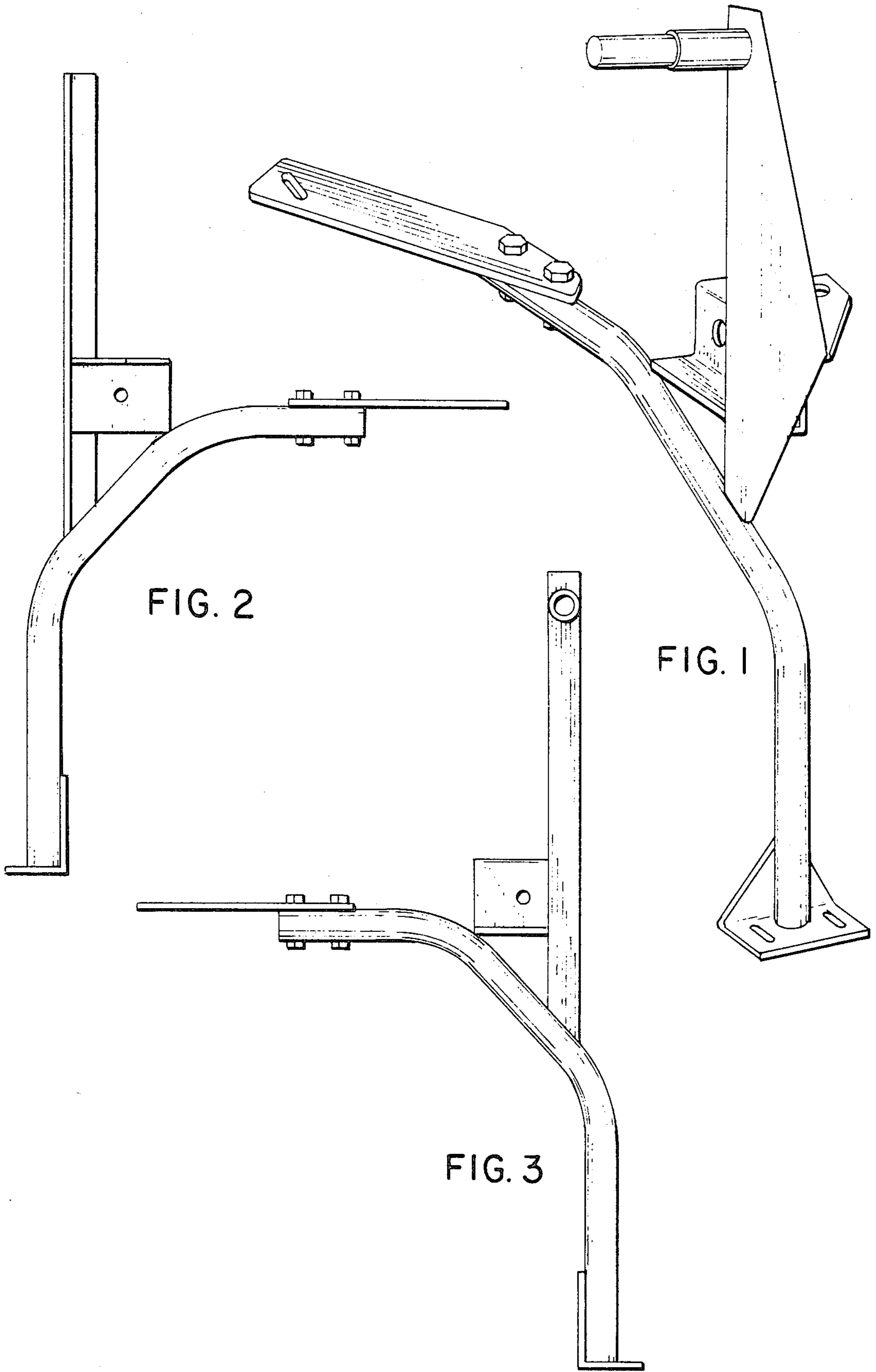
FIG. 5 is a bottom plan view thereof;

3,503,610 3/1970 Trubey 273/49

FIG. 6 is a top plan view thereof; and,

FIG. 7 is a front elevational view thereof.





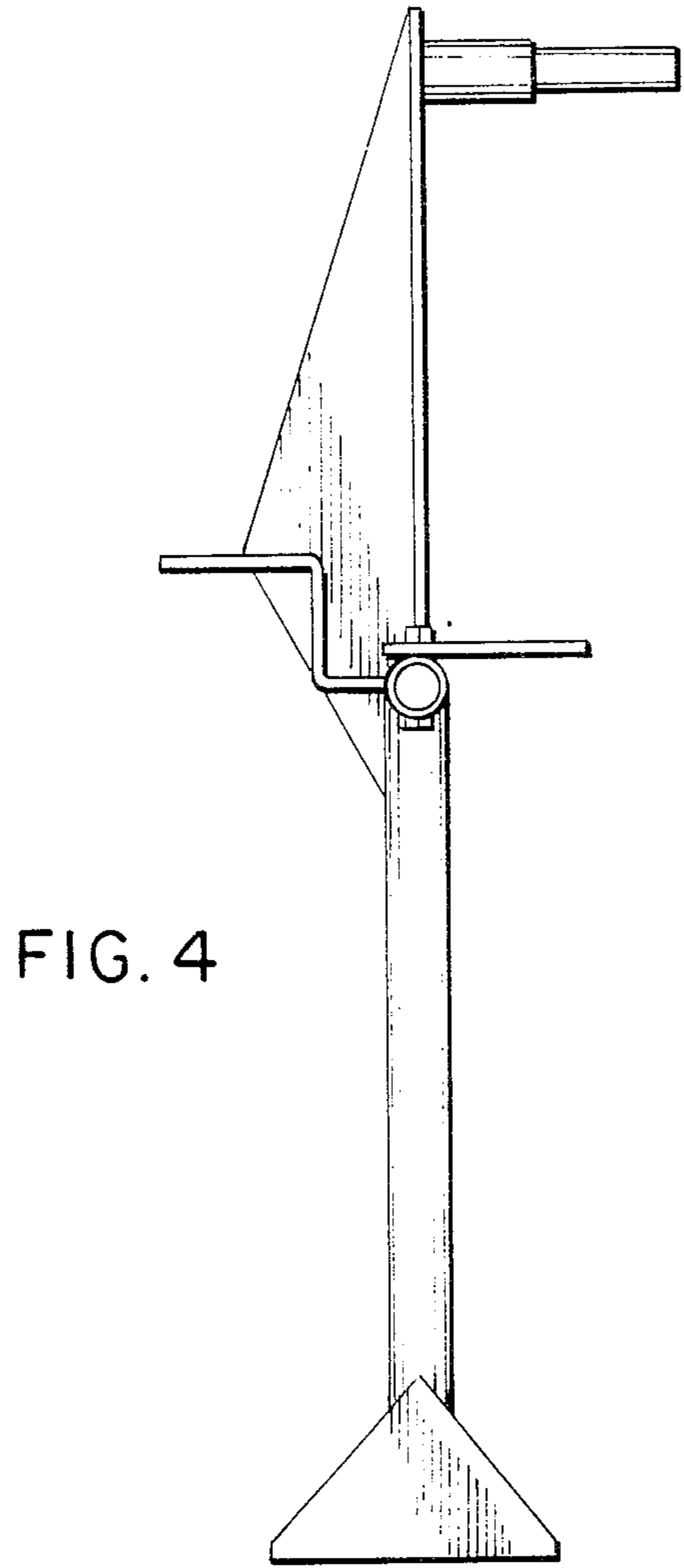


FIG. 4

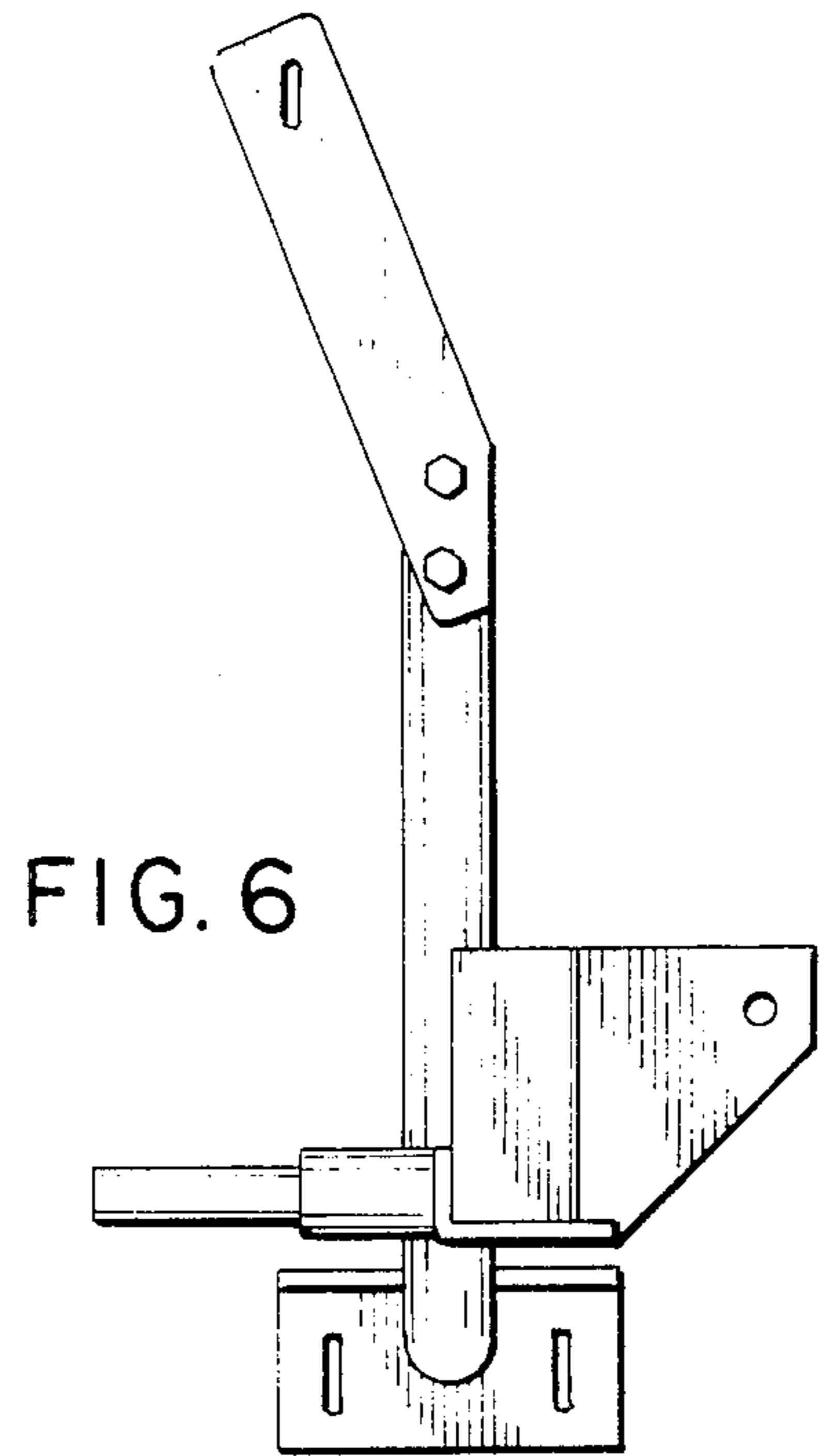


FIG. 6

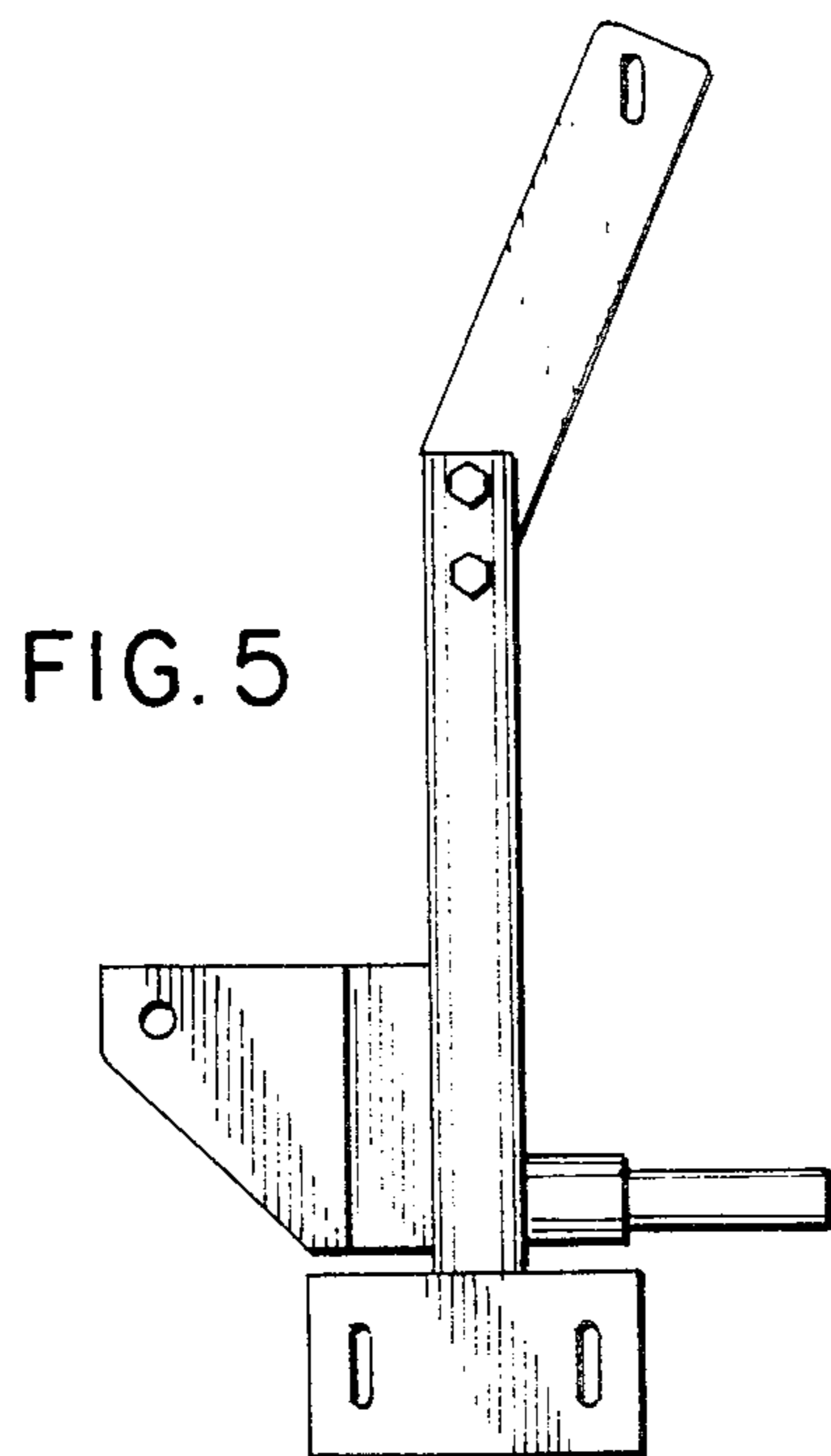


FIG. 5

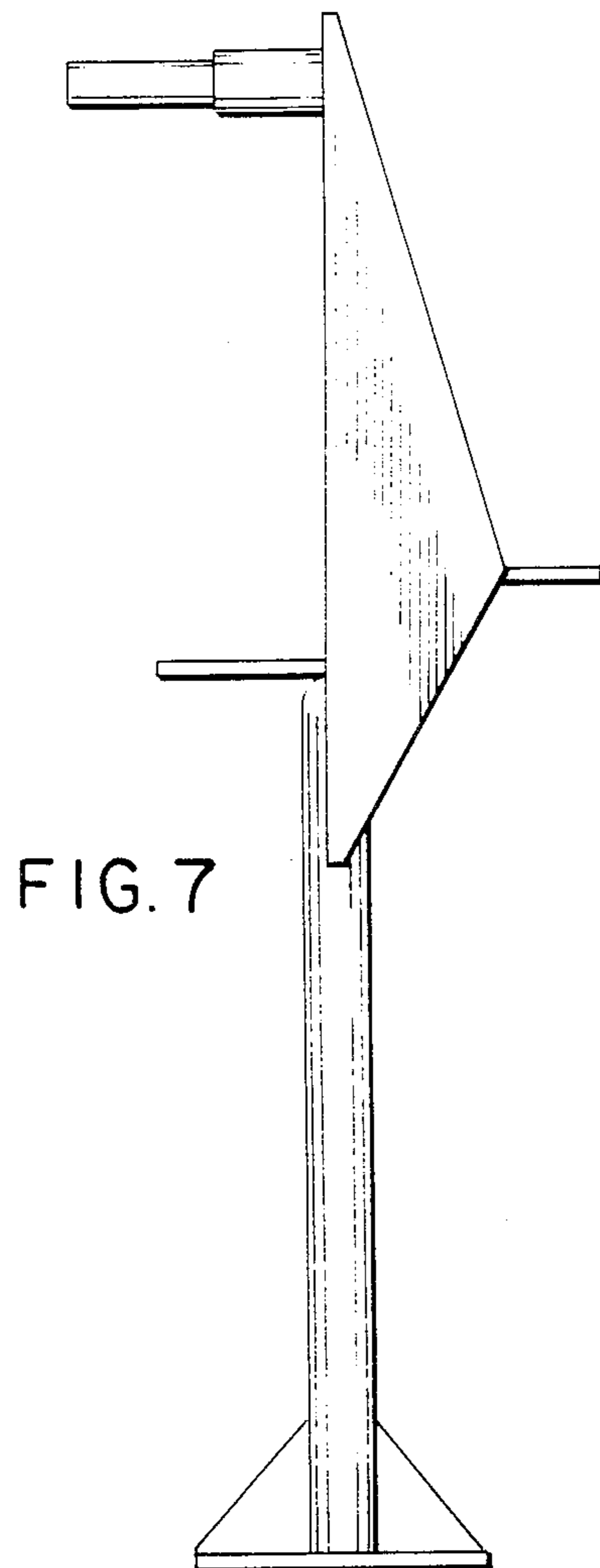


FIG. 7