

[54] **GOLF PUTTER HEAD**

[76] **Inventor: Samuel J. Ehrlich**, 19-08 Radburn Rd., Fair Lawn, N.J. 07410

[**] **Term: 14 Years**

[21] **Appl. No.: 325,006**

[22] **Filed: Nov. 25, 1981**

[52] **U.S. Cl. D21/219**

[58] **Field of Search D21/214-220;
273/164, 167-175**

[56] **References Cited**

U.S. PATENT DOCUMENTS

D. 240,751 7/1976 Taylor D21/217

OTHER PUBLICATIONS

Golf World, Jun. 3, 1977, p. 17, top, extreme right Putter.

Golf World, Oct. 15, 1976, p. 17, bottom, Putter, "Con-sole".

Primary Examiner—Melvin B. Feifer

[57] **CLAIM**

The ornamental design for a golf putter head, substantially as shown and described.

DESCRIPTION

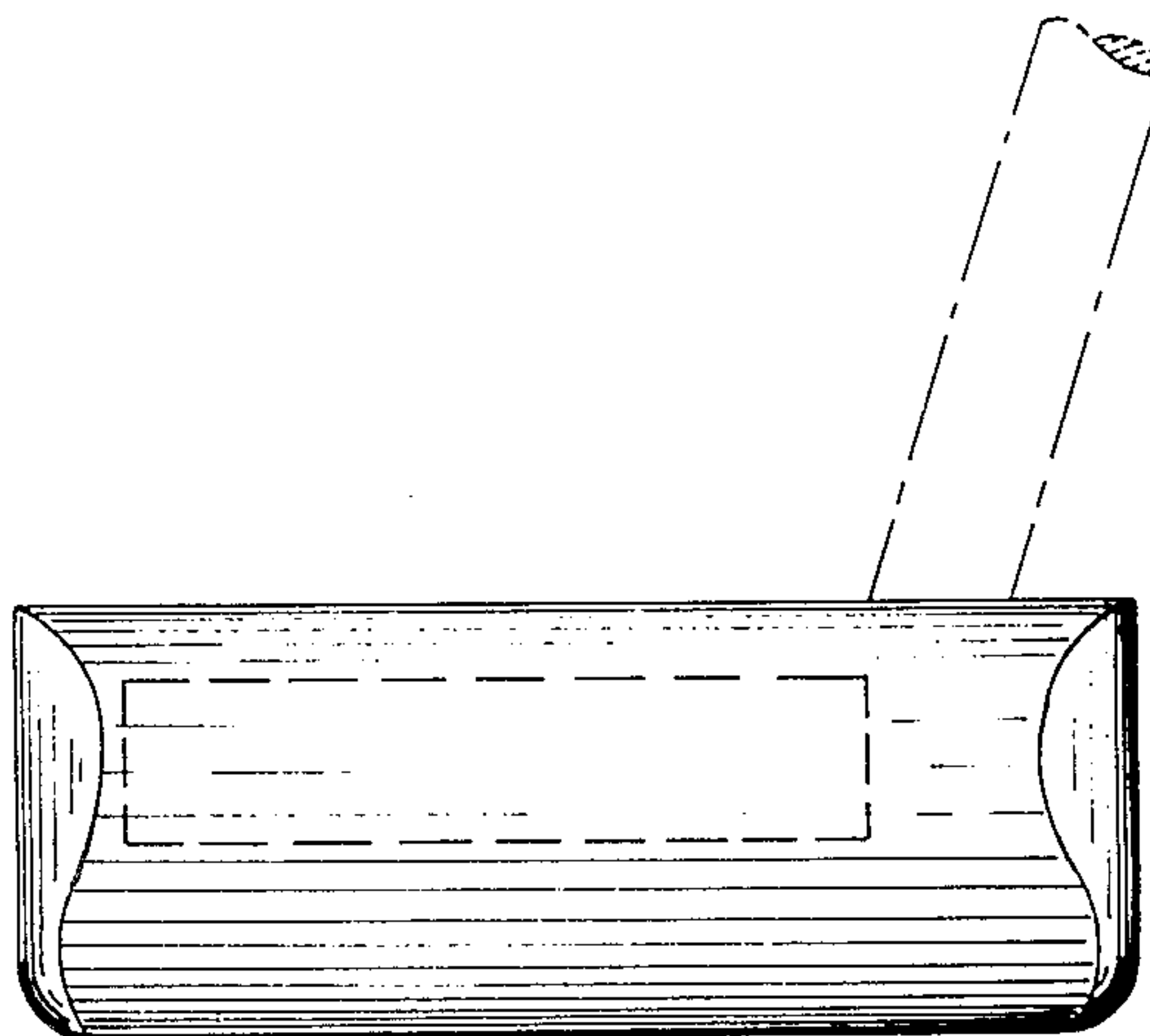
FIG. 1 is a top plan view of a golf putter head showing my new design;

FIG. 2 is a front view thereof;

FIG. 3 is a bottom view thereof;

FIG. 4 is a side view thereof, the opposite side being similar.

The broken line showing of a shaft portion is to indicate environment.



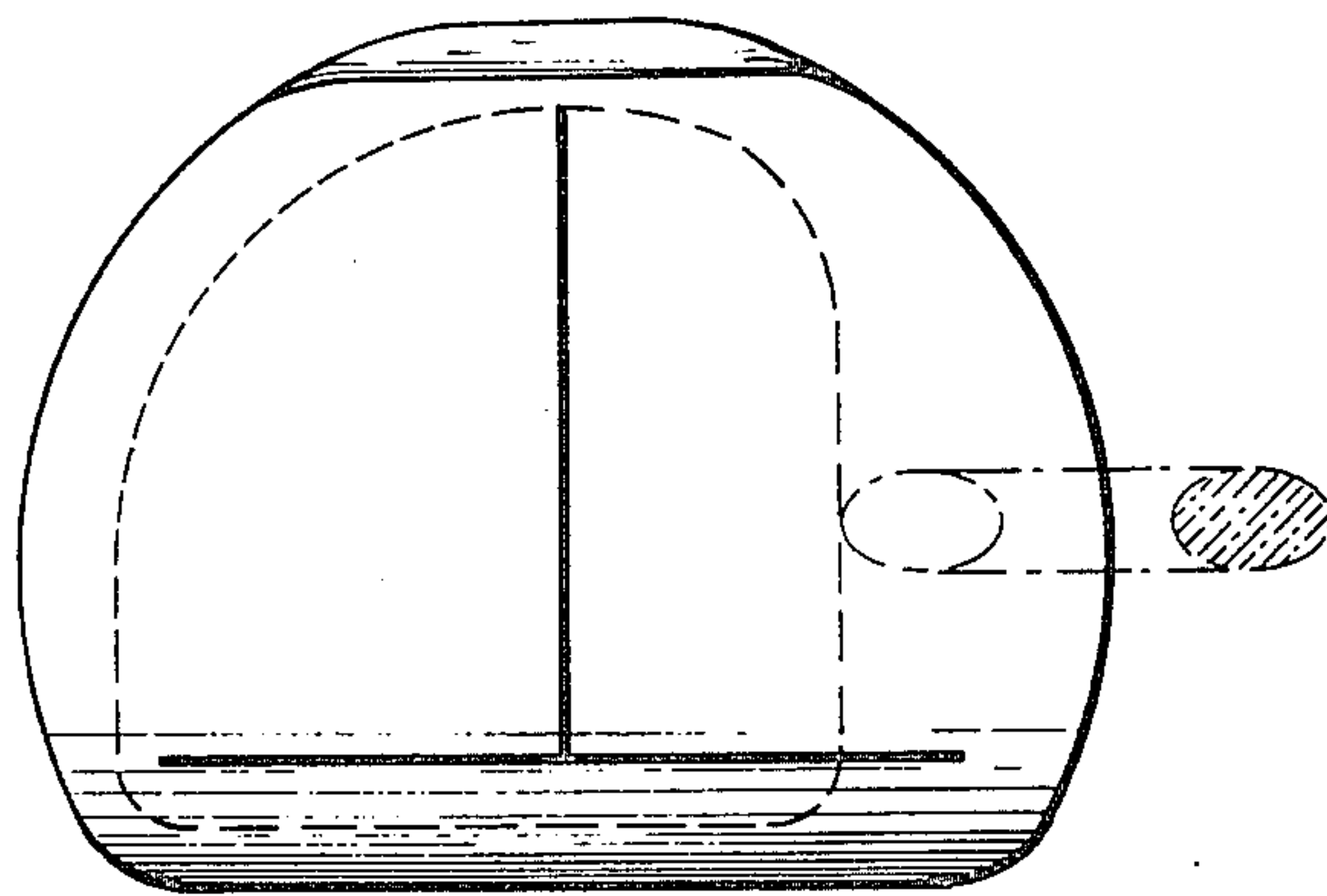


FIG. 1

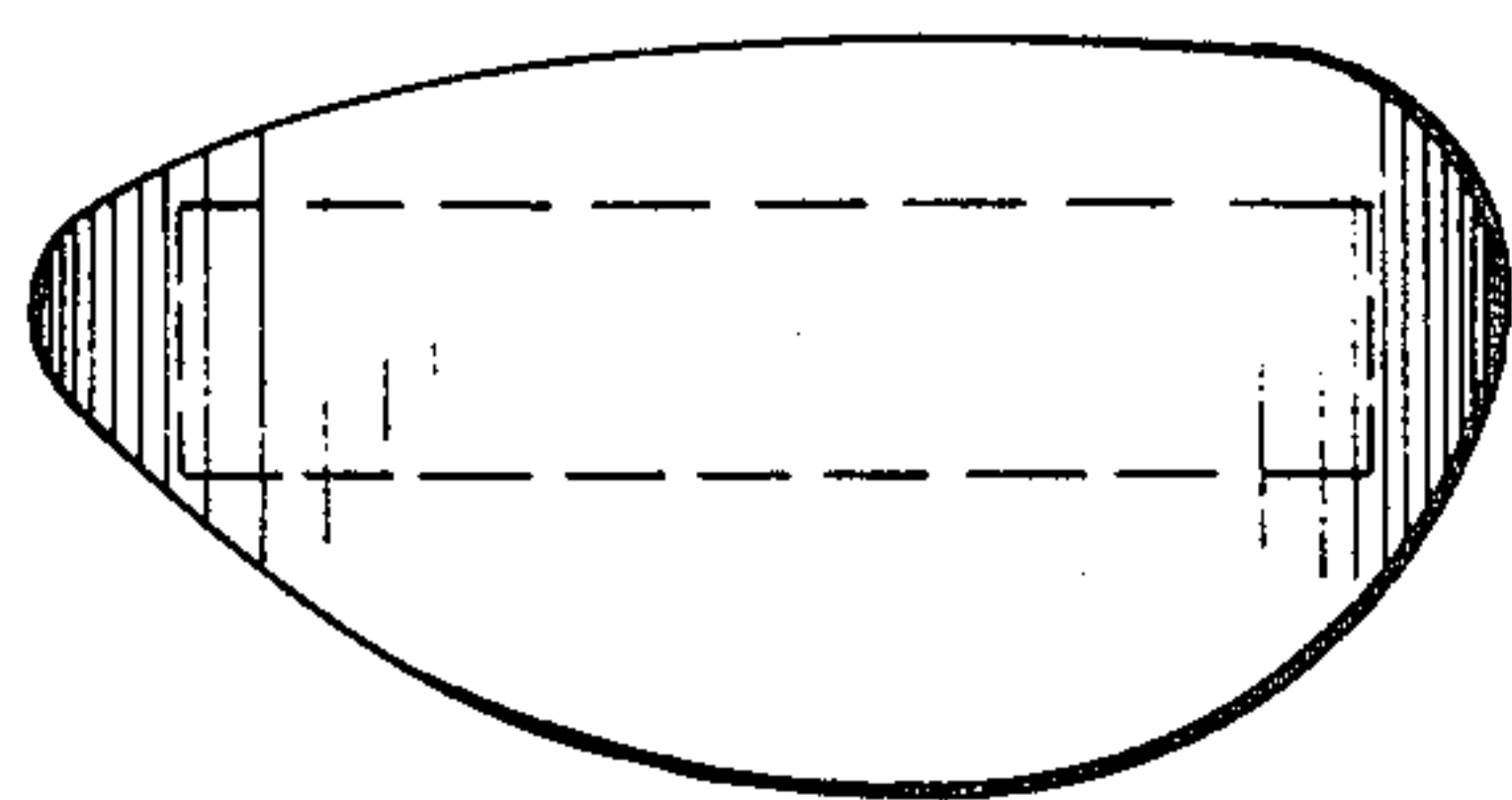


FIG. 4

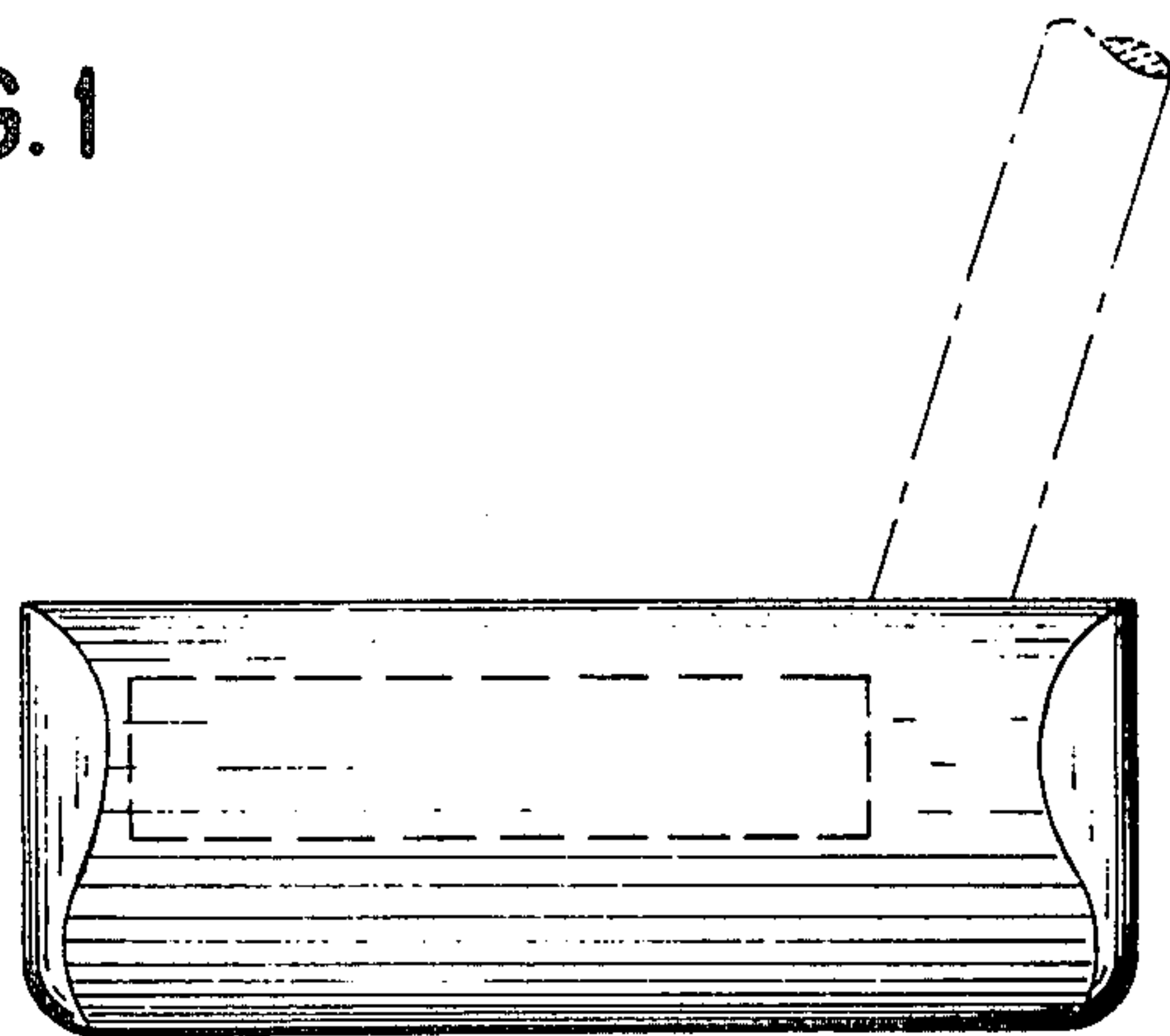


FIG. 2

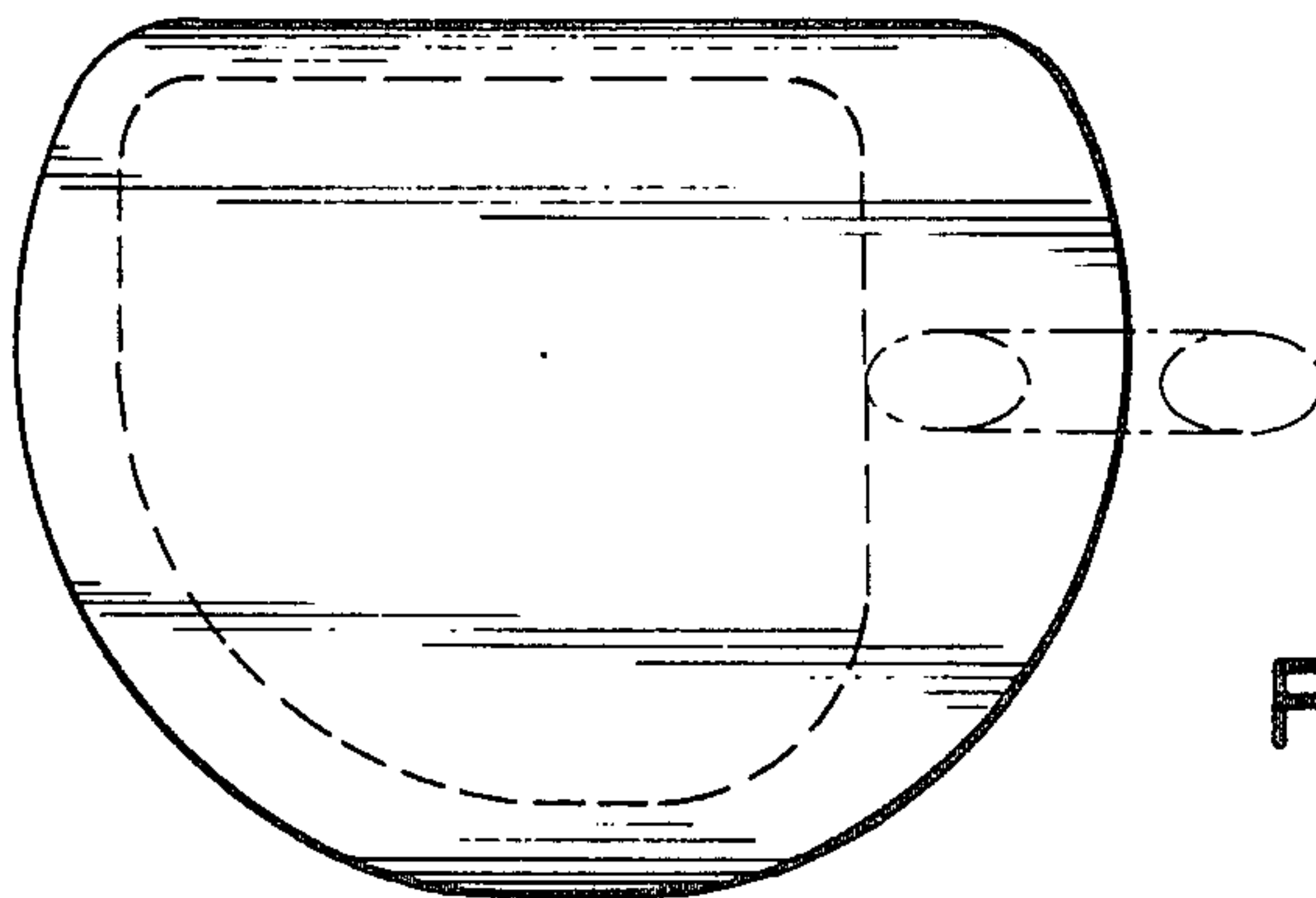


FIG. 3