

[54] BICYCLE EXERCISER

[75] Inventor: Heikki A. Kiiski, Turku, Finland

[73] Assignee: Tunturipyora Oy, Turku, Finland

[**] Term: 14 Years

[21] Appl. No.: 469,268

[22] Filed: Feb. 24, 1983

[30] Foreign Application Priority Data

Aug. 26, 1982 [FI] Finland 82725

[52] U.S. Cl. D21/194

[58] Field of Search D21/194; 272/70.3, 73,
272/182, DIG. 6; 73/379

[56] References Cited

U.S. PATENT DOCUMENTS

- D. 224,329 7/1972 Hjelmquist D21/194
- 3,833,216 9/1974 Philbin 272/73
- 3,940,128 2/1976 Ragone 272/73

OTHER PUBLICATIONS

Sporting Goods Dealer 1-1978, p. 350, "Monark" Exercise Bike.

Sporting Goods Dealer, 1-1982, p. 238 "Trimline 850" Exercise Bike.

Primary Examiner—Charles A. Rademaker
Attorney, Agent, or Firm—Fleit, Jacobson, Cohn & Price

[57] CLAIM

The ornamental design for a bicycle exerciser, as shown and described.

DESCRIPTION

FIG. 1 is a side perspective view of a bicycle exerciser showing my new design;

FIG. 2 is another side perspective view thereof;

FIG. 3 is a front perspective view thereof;

FIG. 4 is a rear perspective view thereof;

FIG. 5 is a top perspective view thereof; and

FIG. 6 is a bottom perspective thereof.

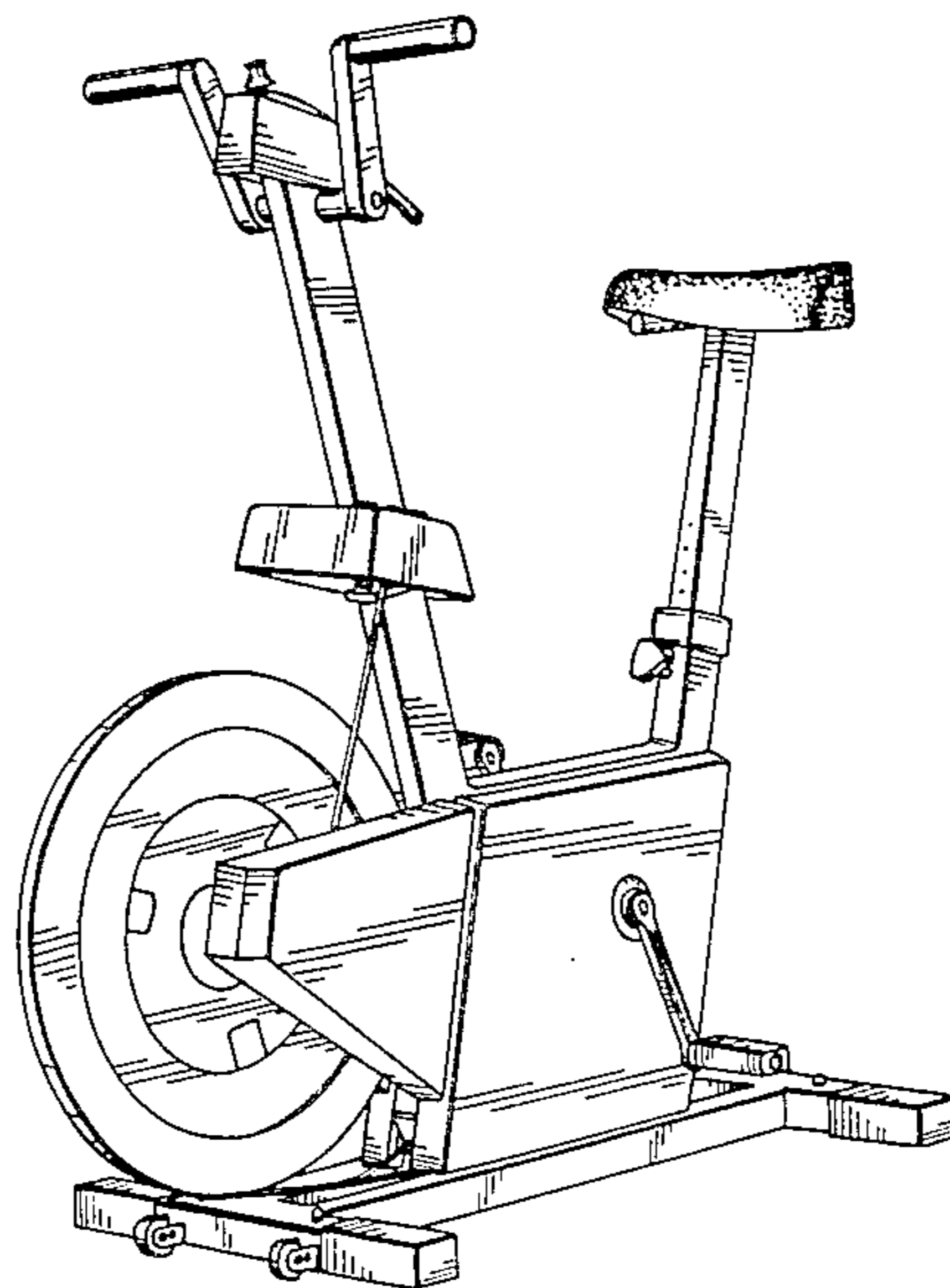


FIG. 2

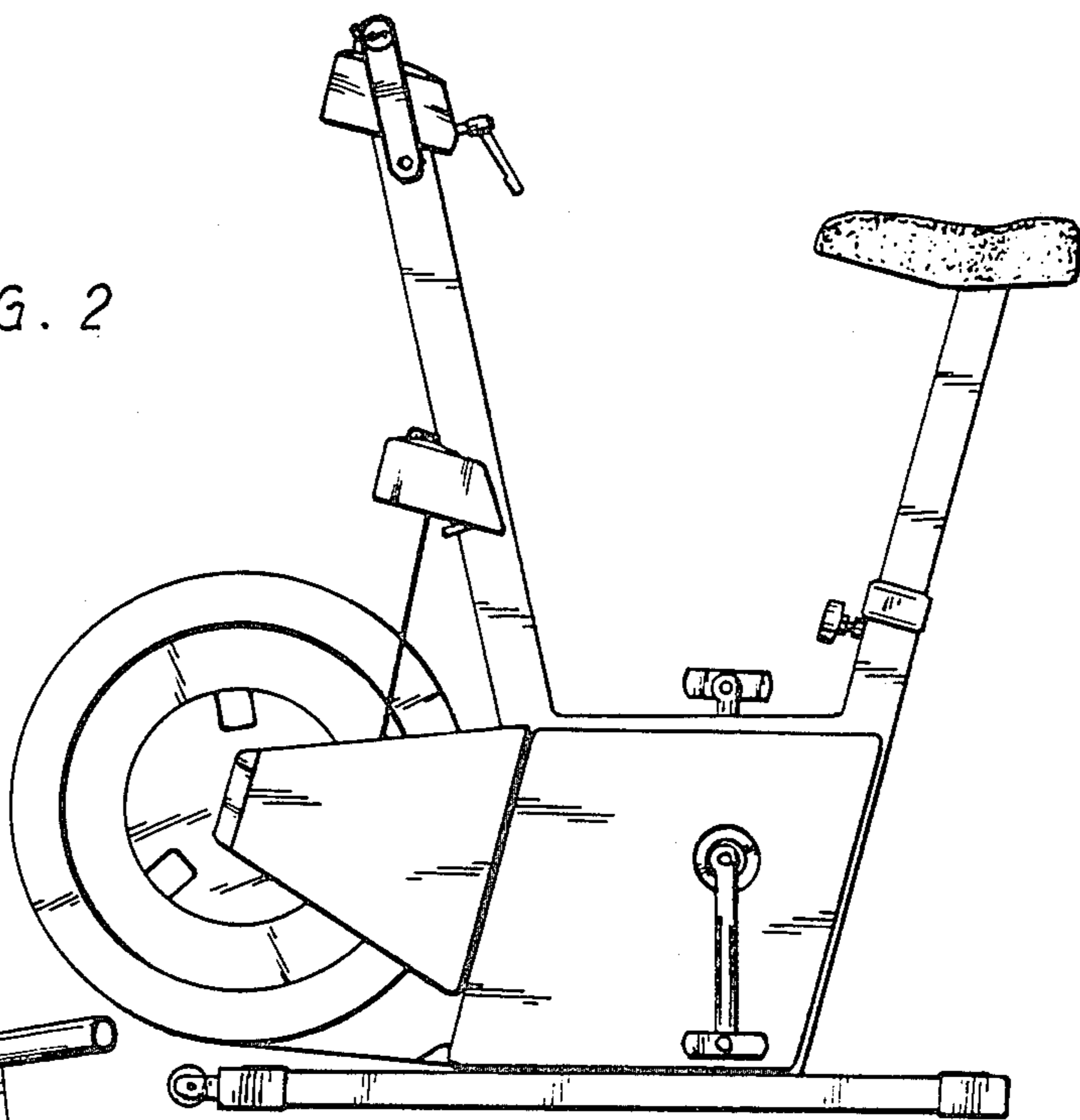
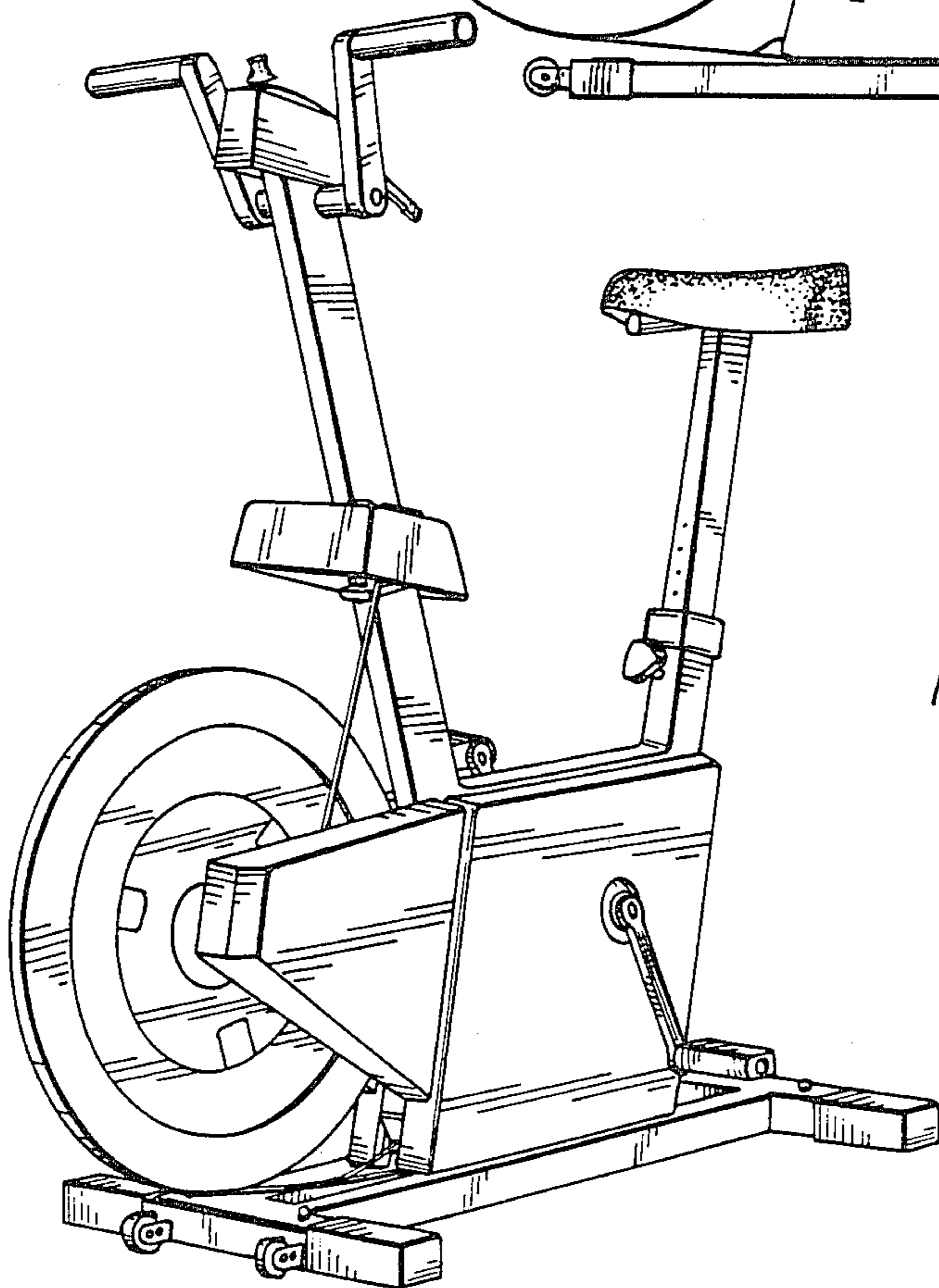


FIG. 1



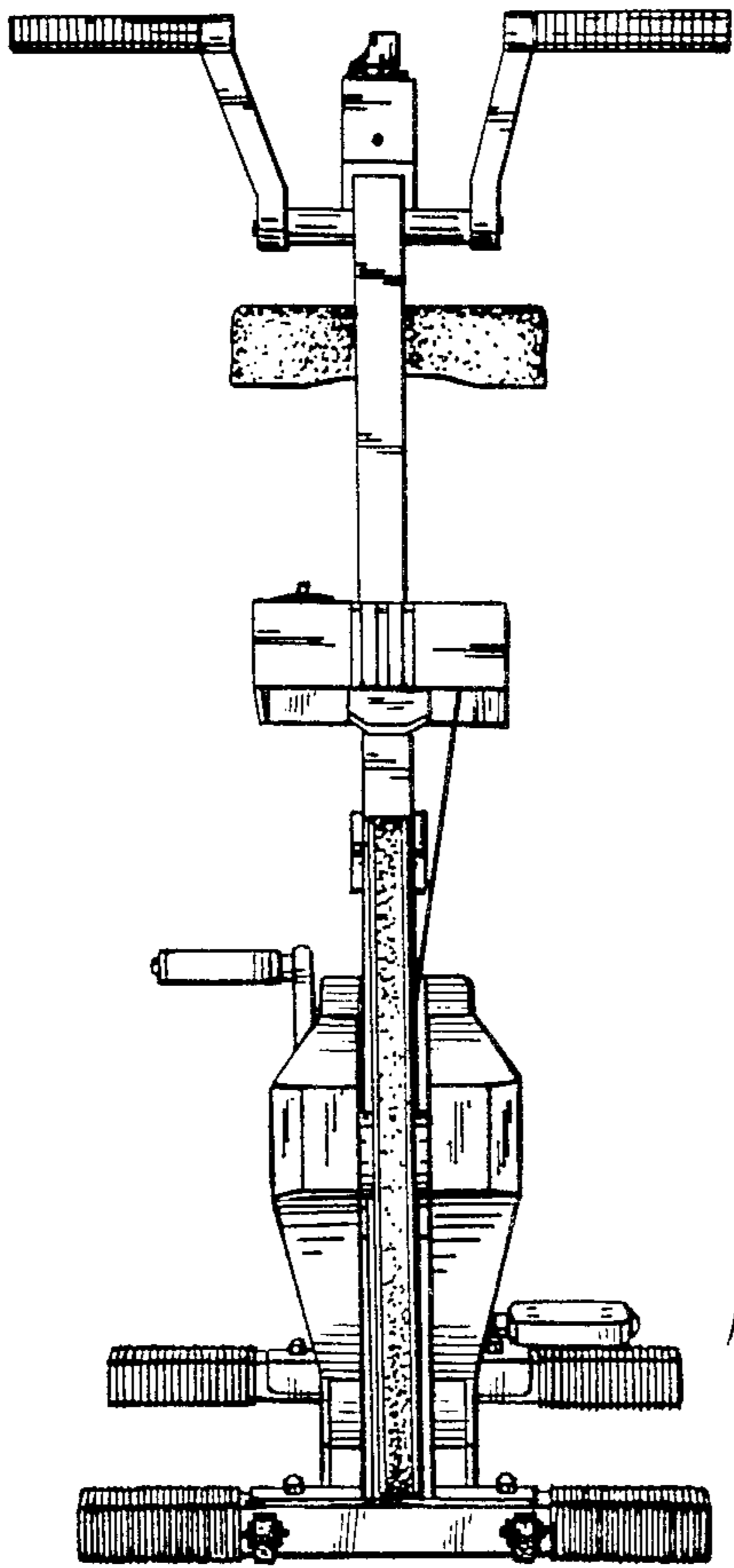


FIG. 3

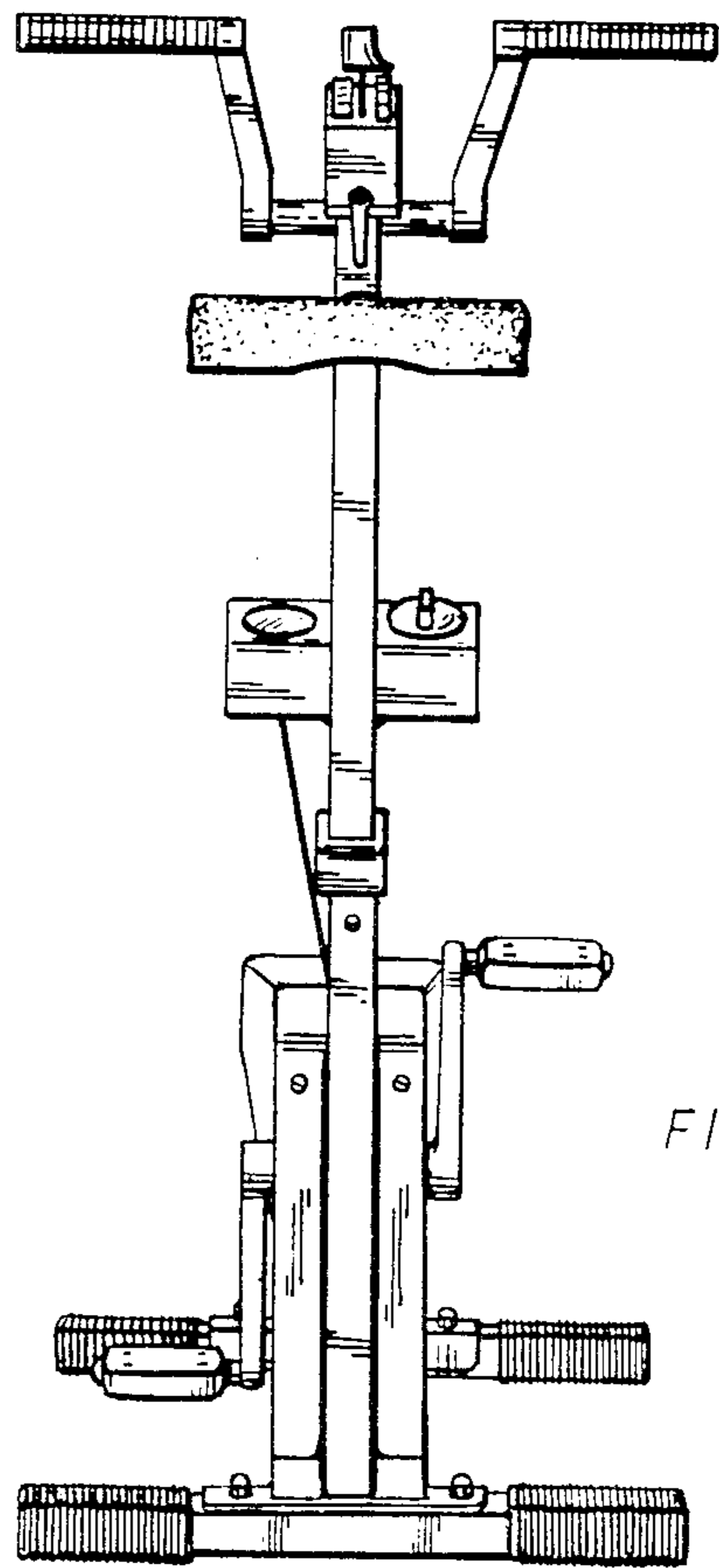


FIG. 4

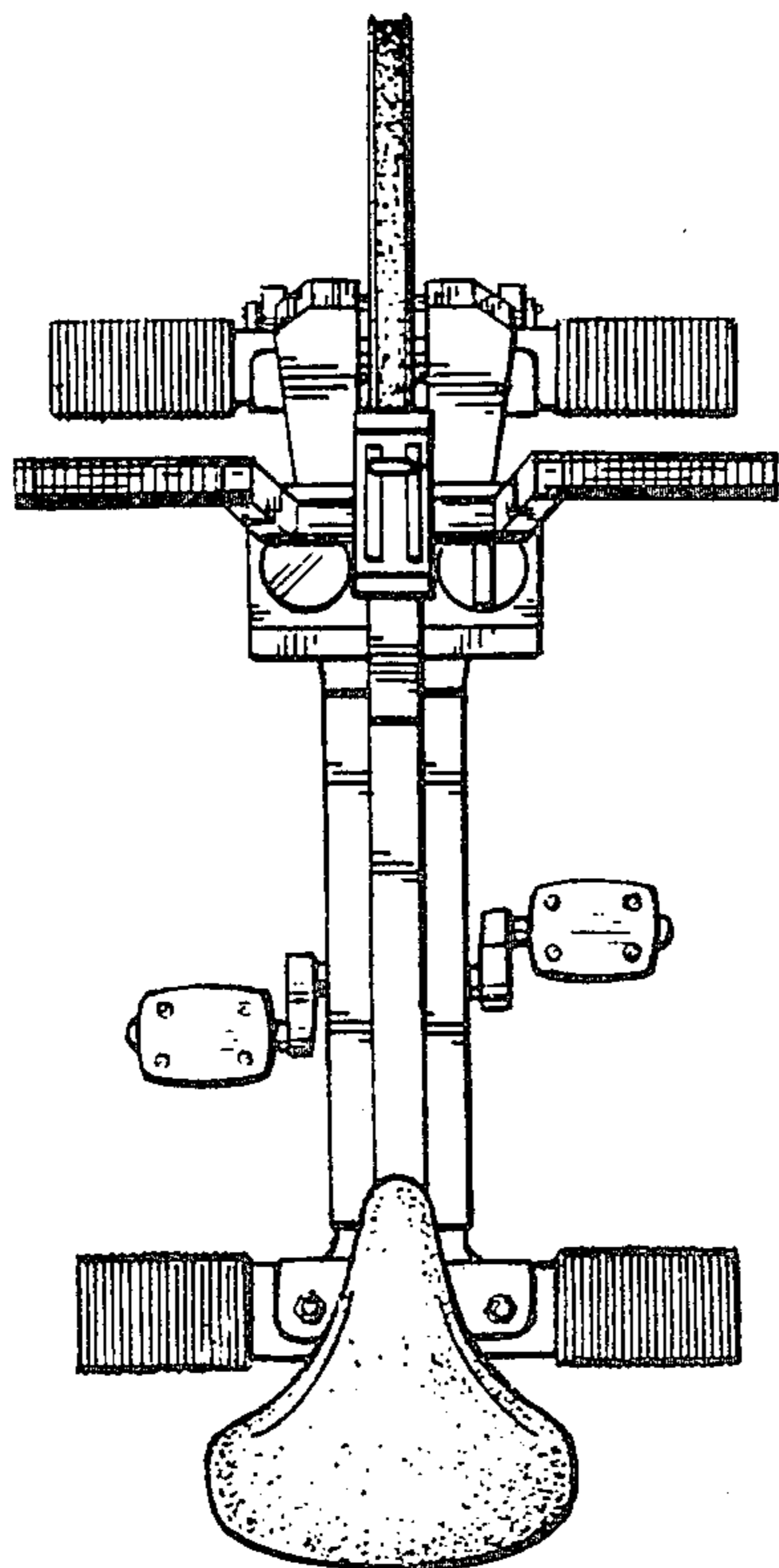


FIG. 5

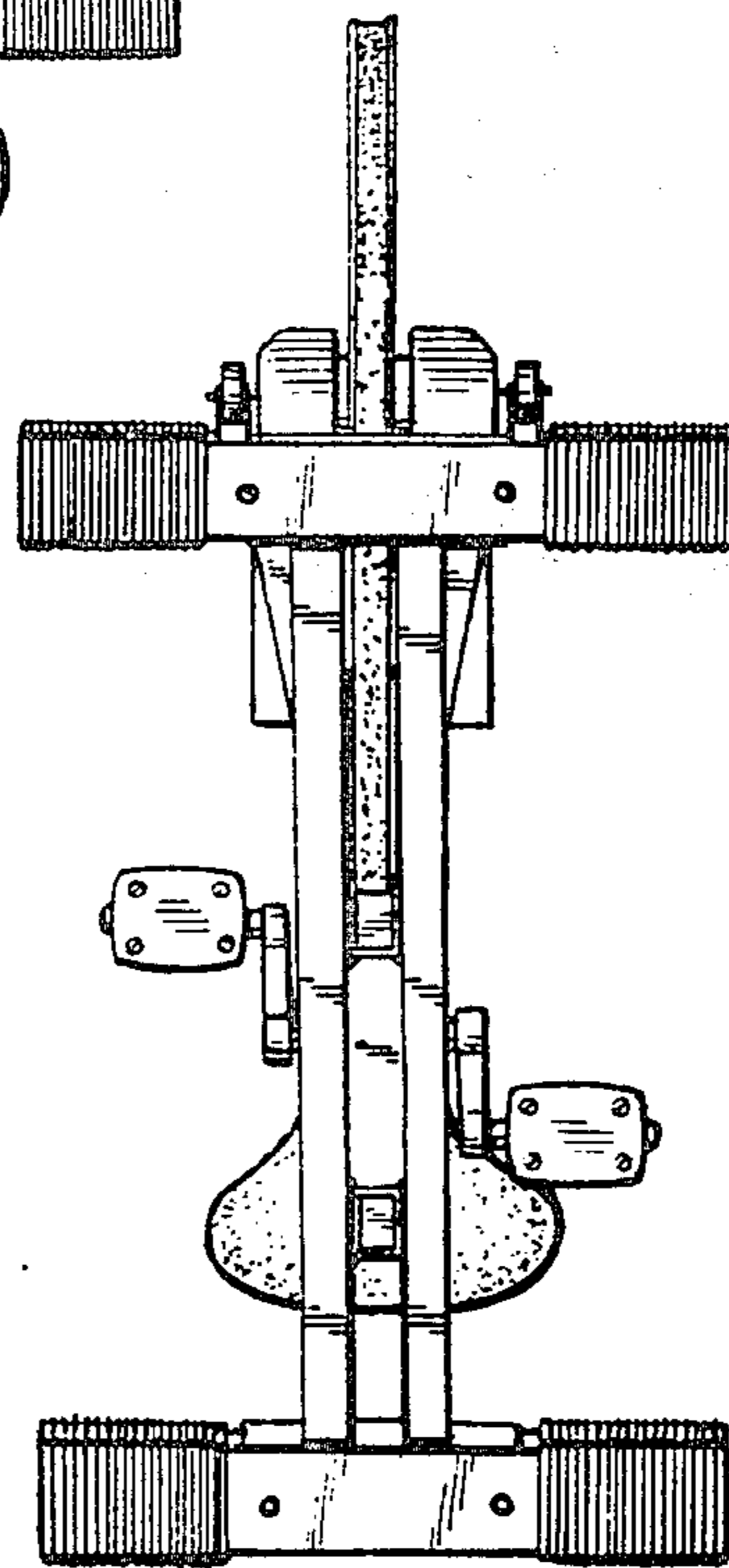


FIG. 6