

[54] COMBINED TOY WAGON AND ANIMALS THEREFOR

[76] Inventors: John R. Nottingham, 4875 Stacy Ct., Richmond Heights, Ohio 44143; John W. Spirk, Jr., 2533 Euclid Heights Blvd., Cleveland Heights, Ohio 44106

[**] Term: 14 Years

[21] Appl. No.: 450,059

[22] Filed: Dec. 15, 1982

[52] U.S. Cl. D21/149; D21/137

[58] Field of Search D21/137, 134, 135, 128, D21/150, 149; 446/282, 268, 269, 279, 281

[56] References Cited

U.S. PATENT DOCUMENTS

D. 141,153	5/1945	Wood	D21/137
D. 172,975	9/1954	Kefauver et al.	D21/135
D. 230,413	2/1974	Salmon et al.	D21/134
D. 252,348	7/1979	Nakao et al.	D21/134

OTHER PUBLICATIONS

Childcraft Education Corp. Catalog, 1976, p. 3, Item #J, "Alphabet Wagon".

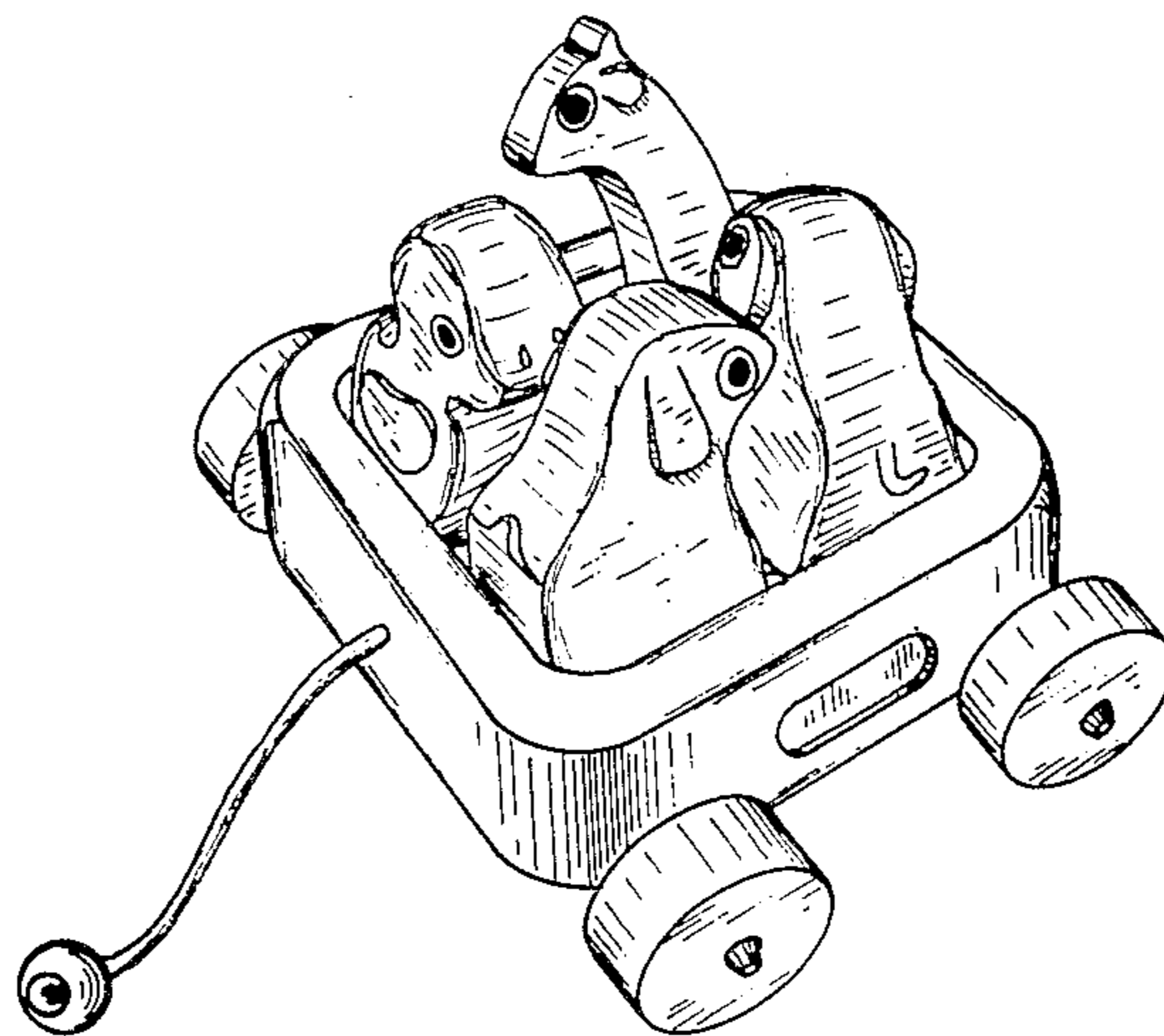
Primary Examiner—Charles A. Rademaker
Attorney, Agent, or Firm—Maky, Renner, Otto & Boisselle

[57] CLAIM

The ornamental design for a combined toy wagon and animals therefor, as shown and described.

DESCRIPTION

FIG. 1 is a perspective view of a combined toy wagon and animals therefor showing our new design;
 FIG. 2 is another perspective view thereof showing the animals outside the wagon;
 FIG. 3 is a right side elevational view thereof;
 FIG. 4 is a top plan view thereof;
 FIG. 5 is a bottom plan view thereof;
 FIG. 6 is a front elevational view of each of the elements comprising our design;
 FIG. 7 is a rear elevational view thereof;
 FIG. 8 is a top plan view of the design as arranged in FIG. 1;
 FIG. 9 is a right side elevational view thereof;
 FIG. 10 is a front elevational view thereof;
 FIG. 11 is a left side elevational view thereof; and
 FIG. 12 is a rear elevational view thereof.



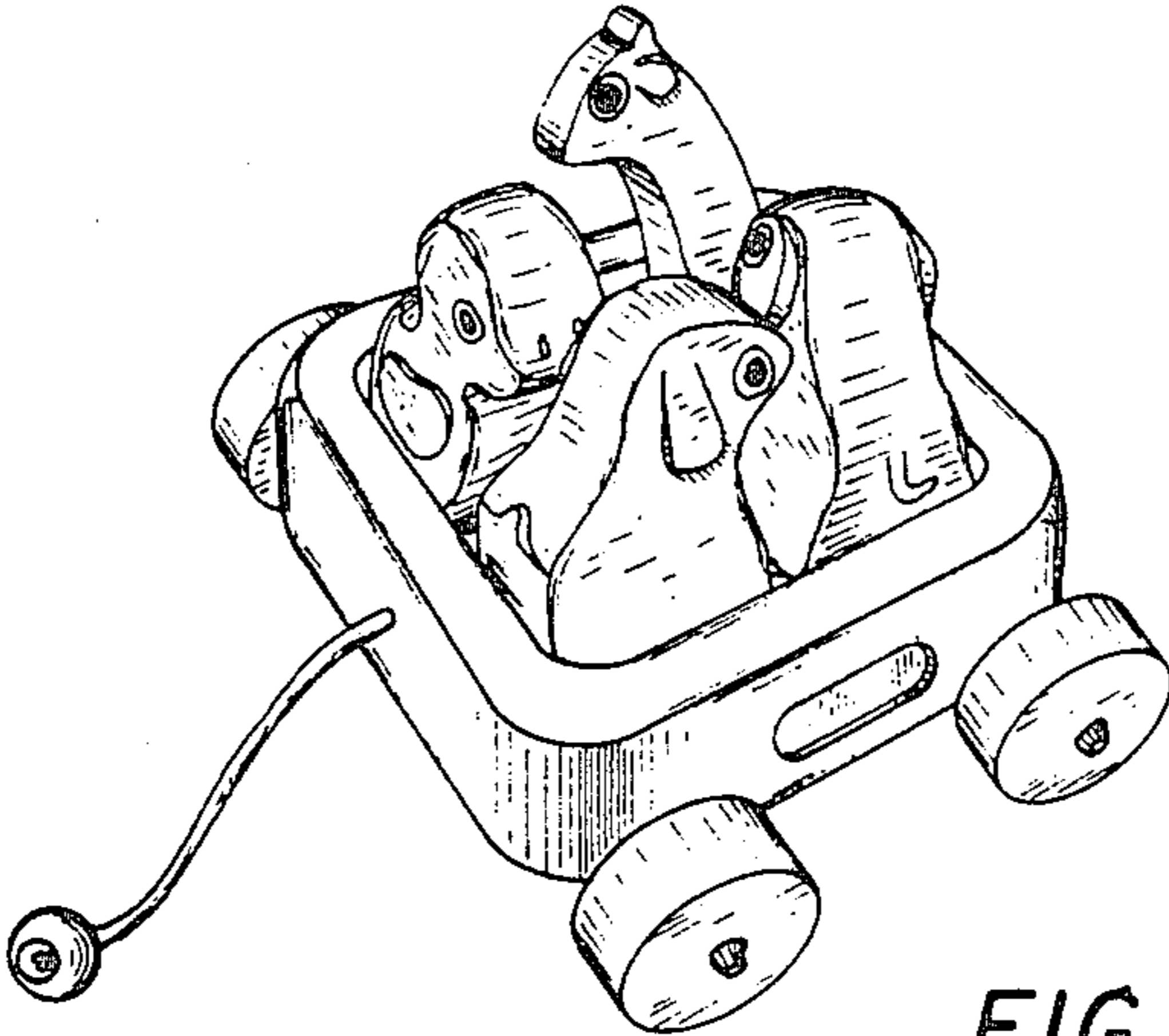


FIG. 1

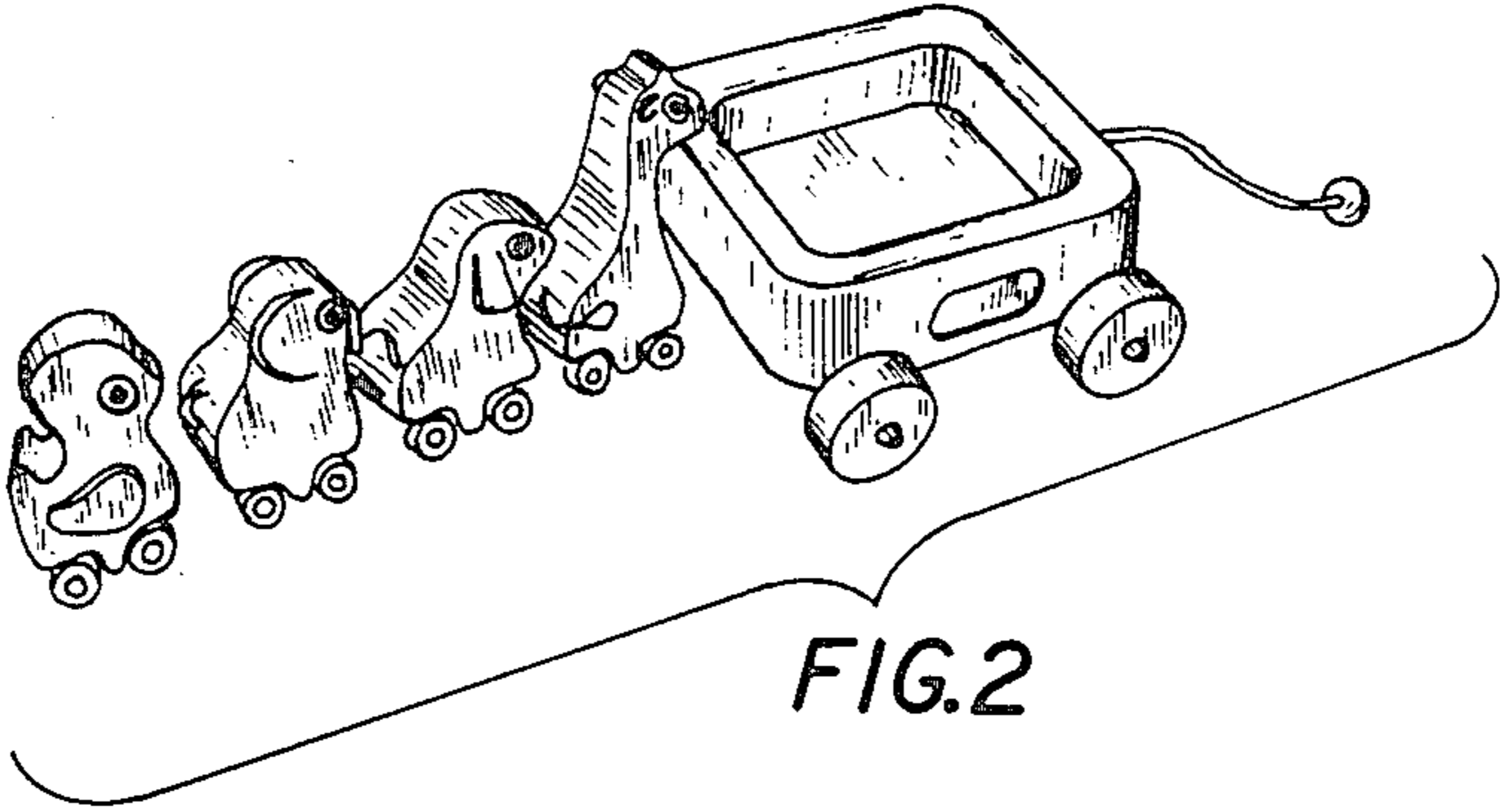


FIG. 2

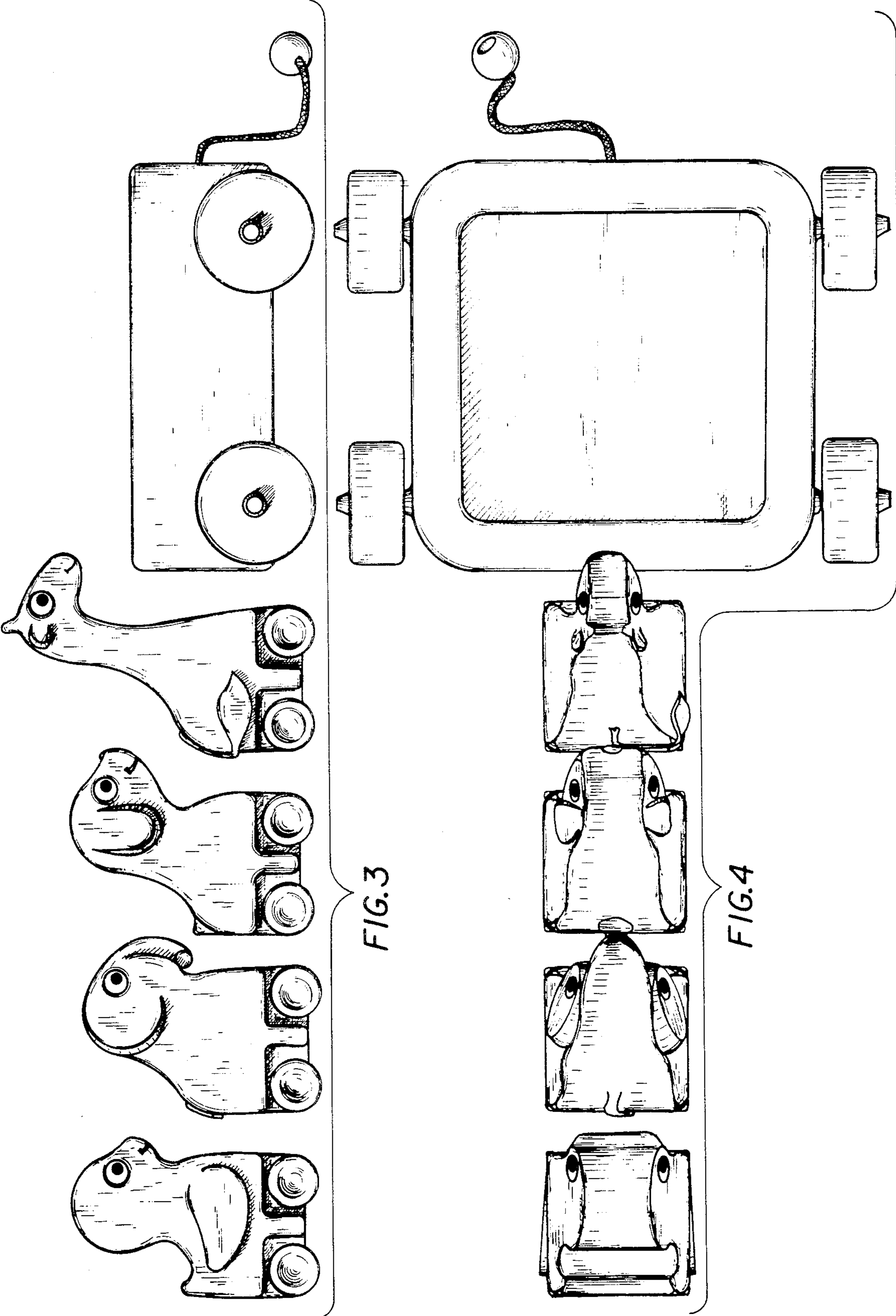


FIG. 3

FIG. 4

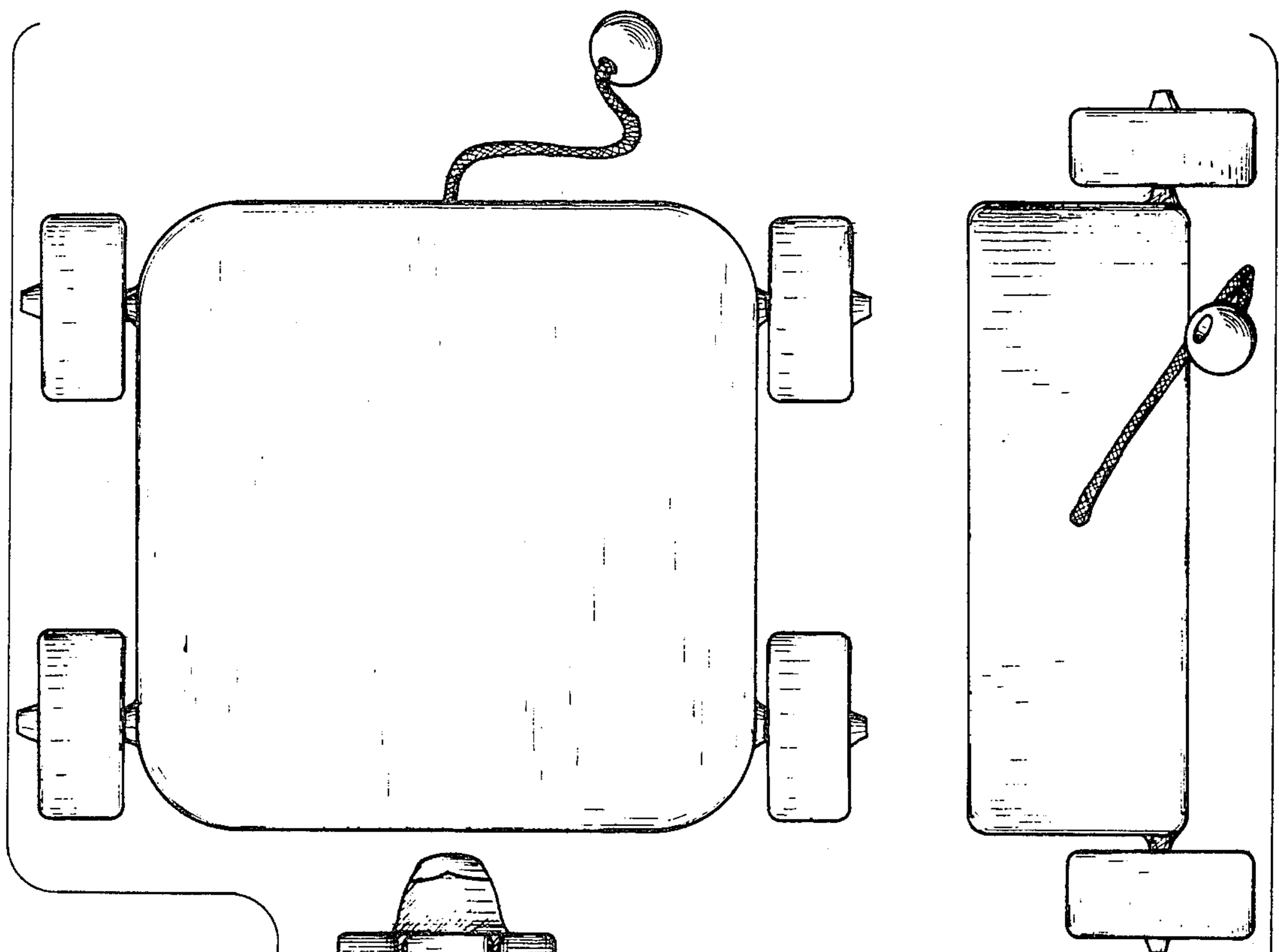


FIG. 5

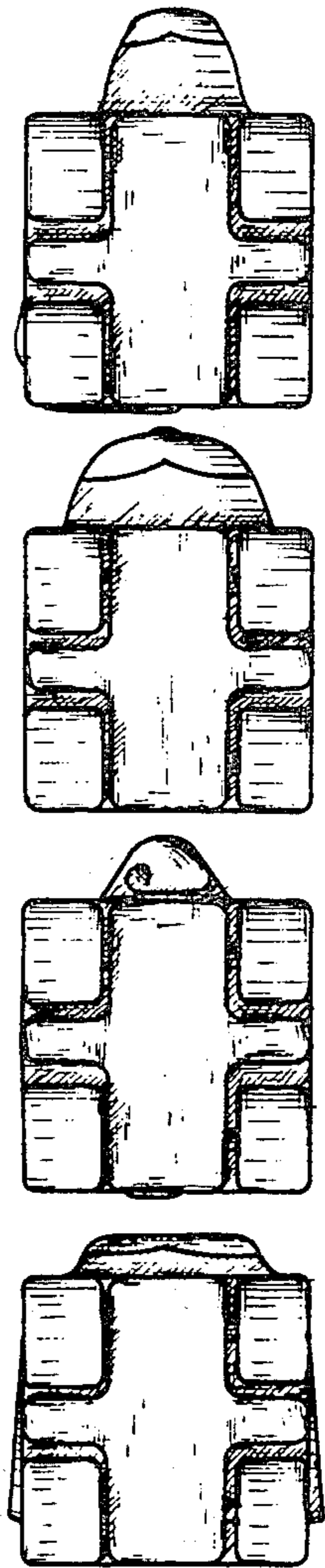
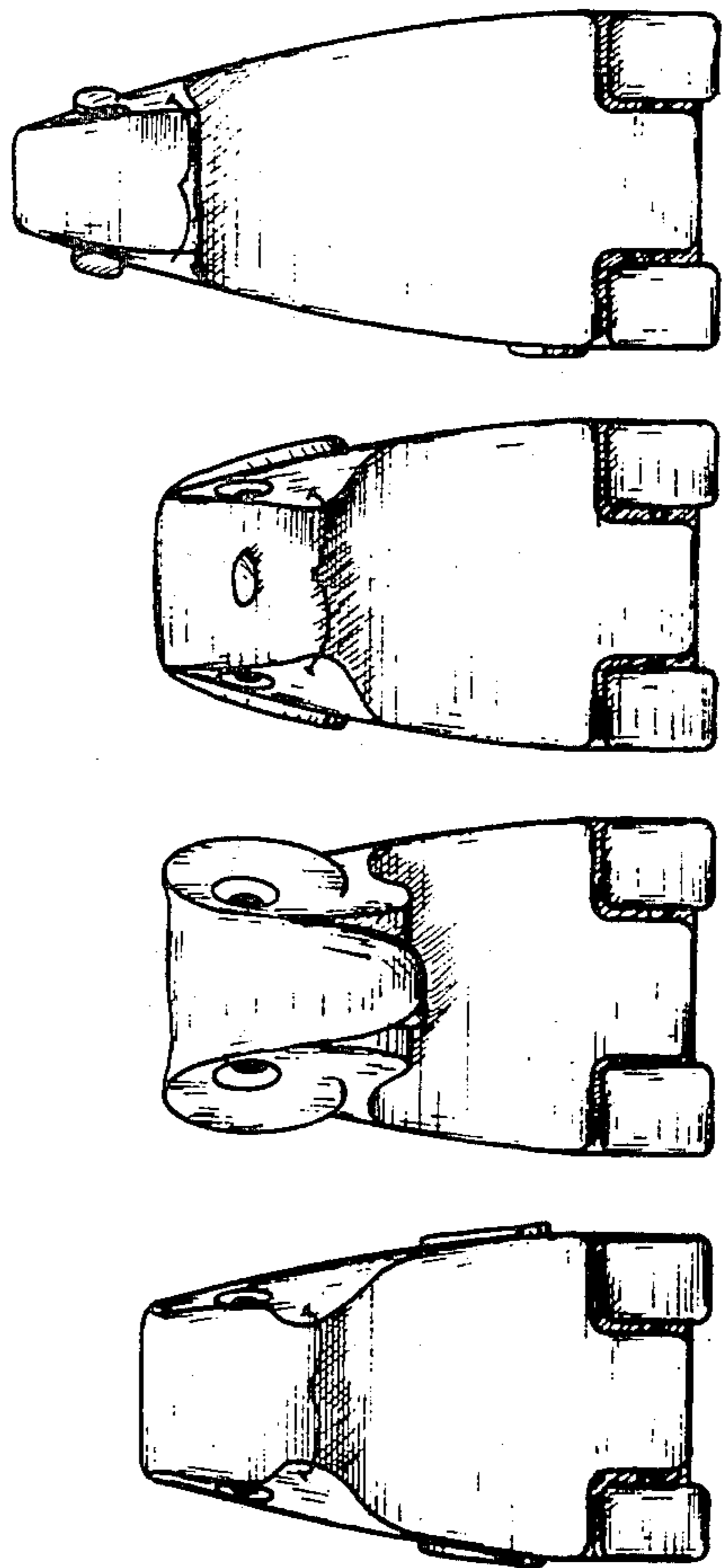


FIG. 6



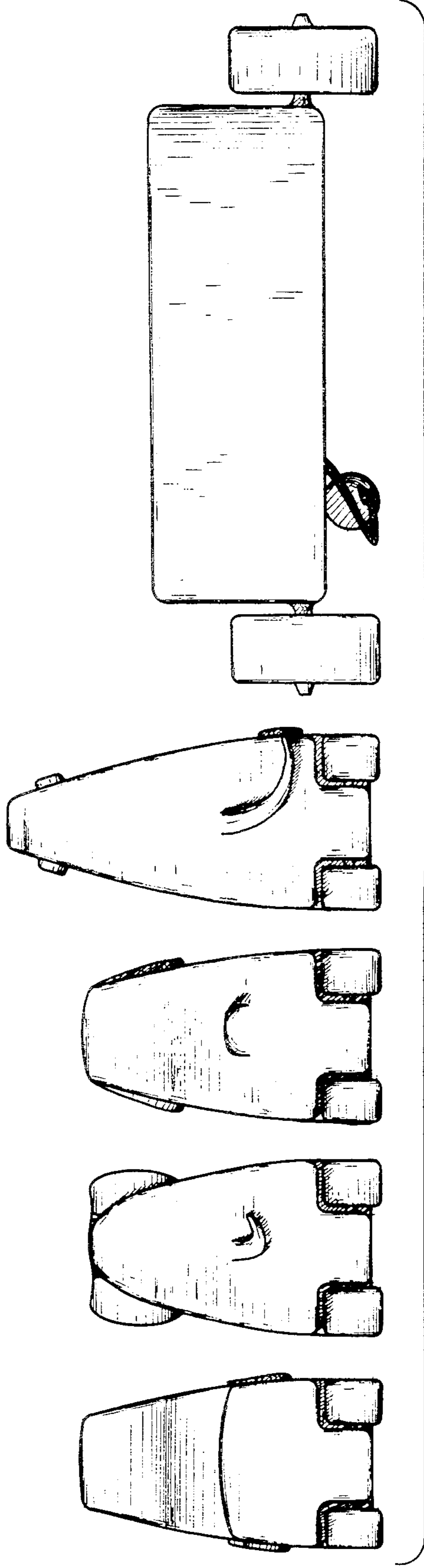


FIG. 7

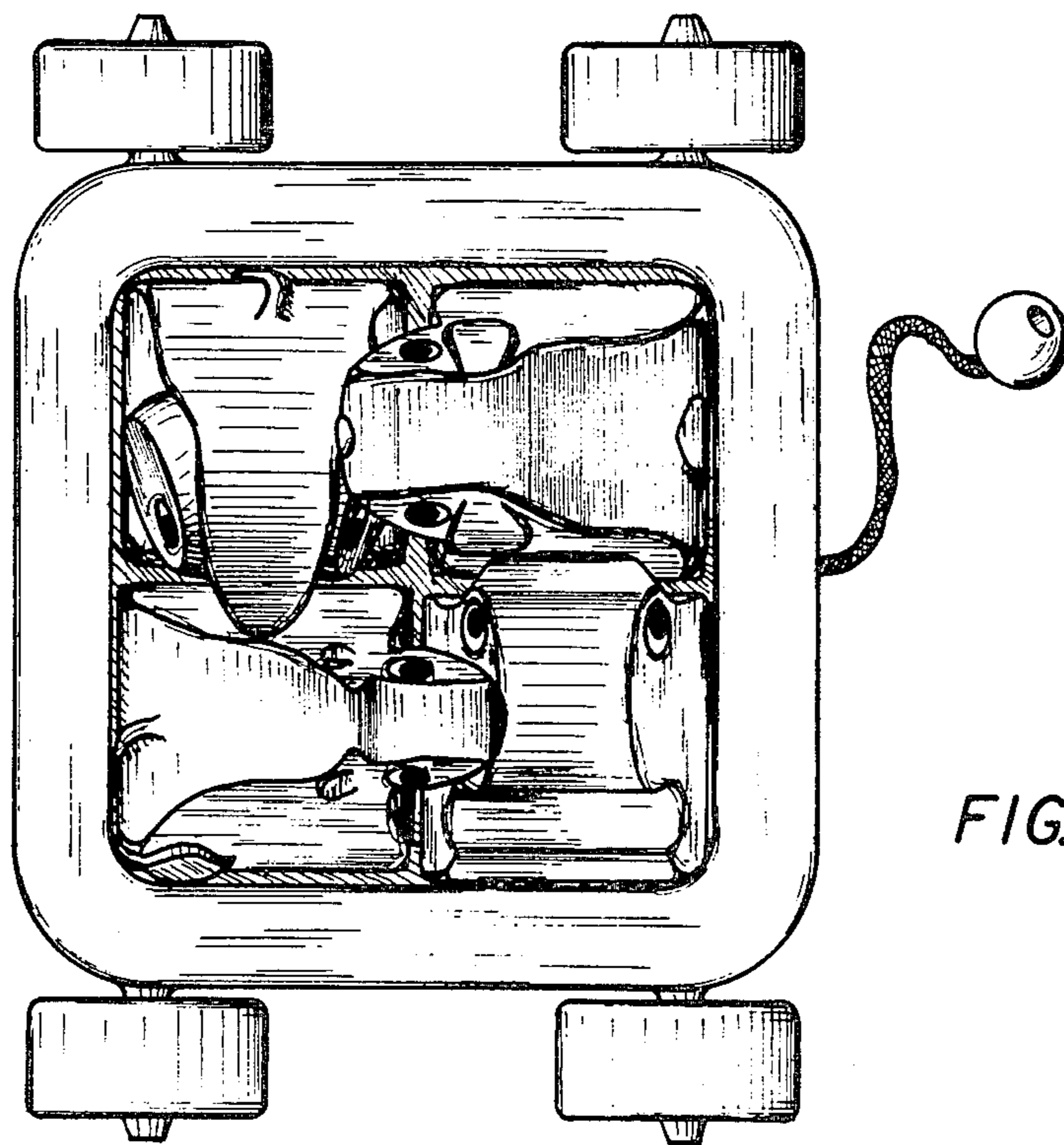


FIG. 8

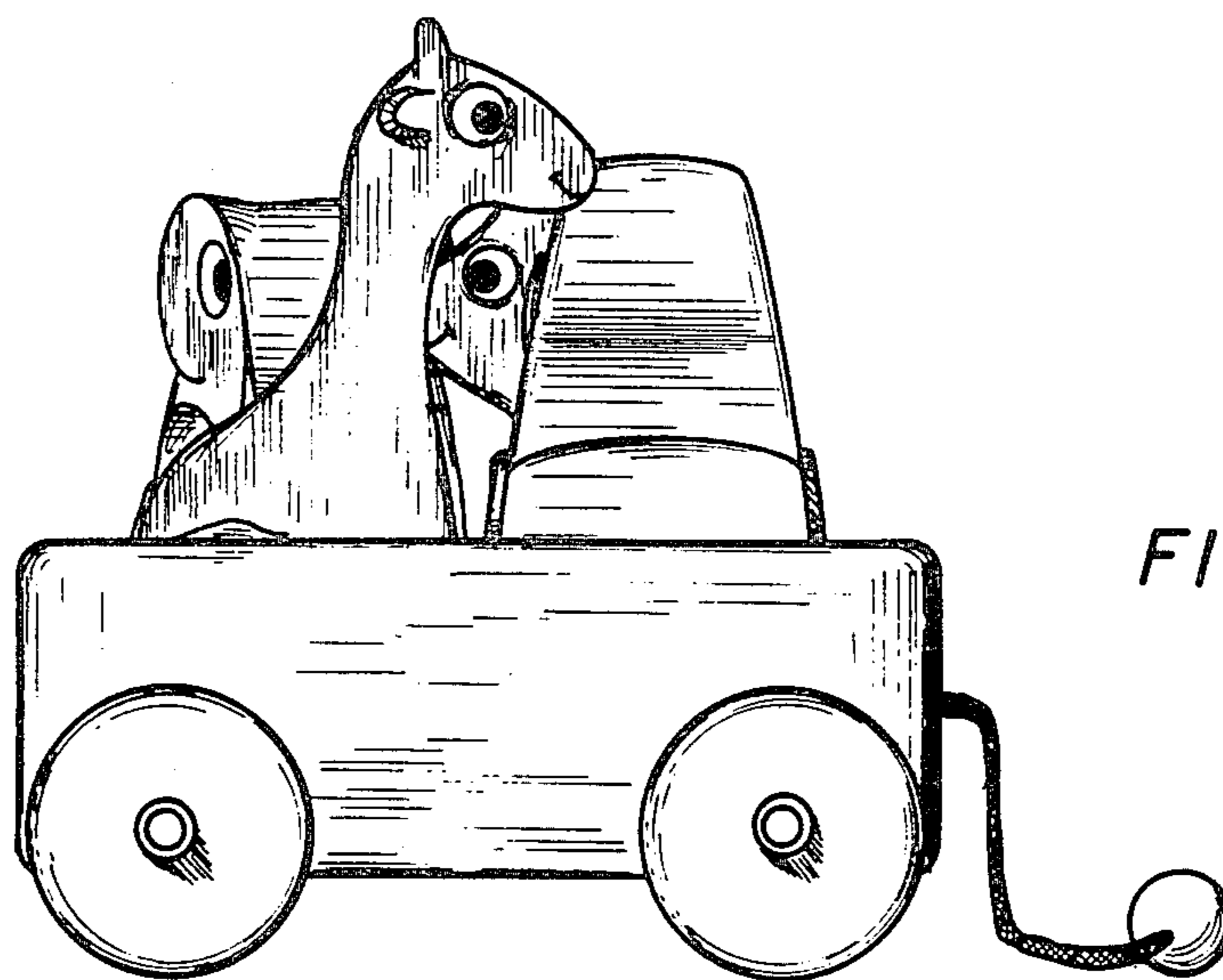


FIG. 9

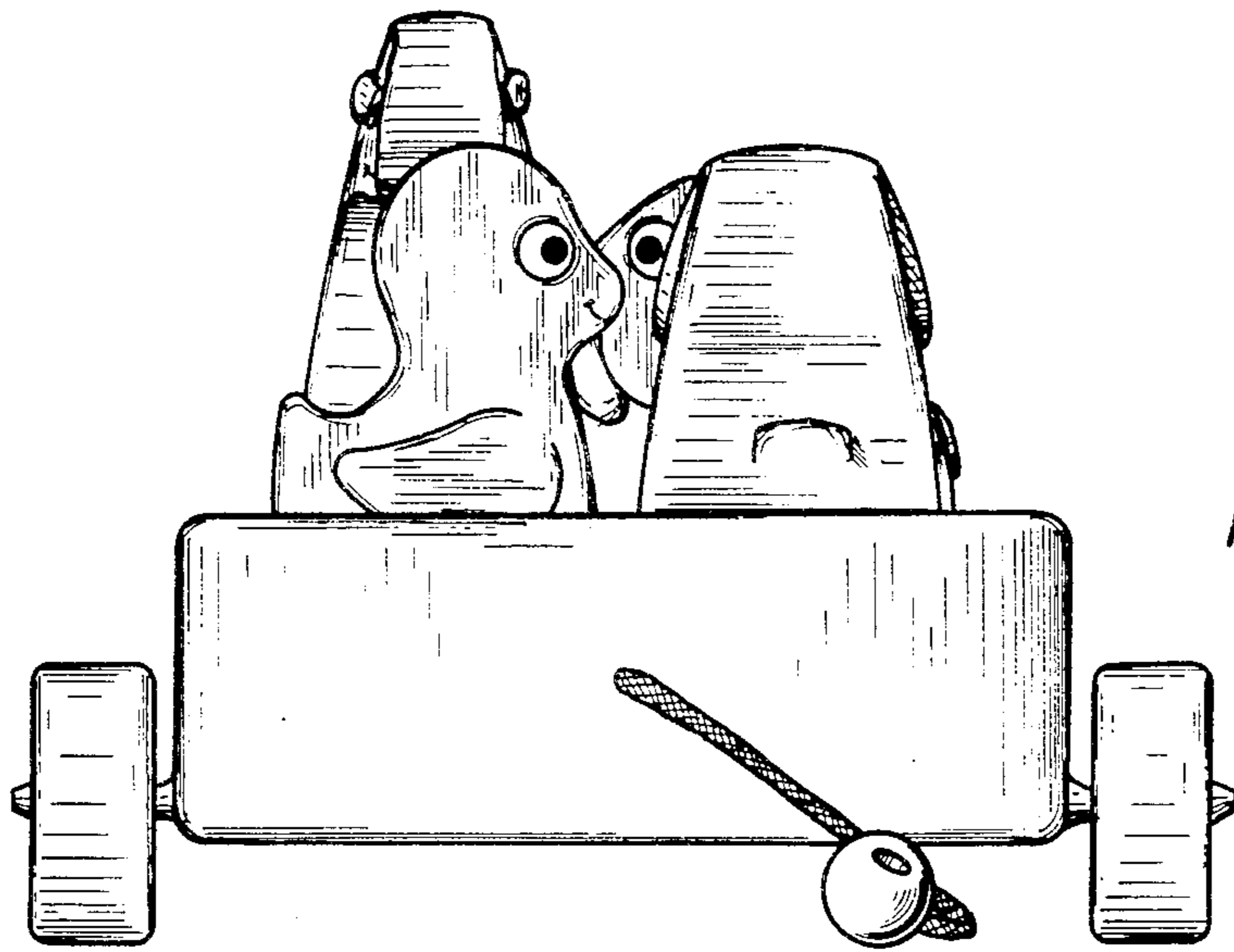


FIG. 10

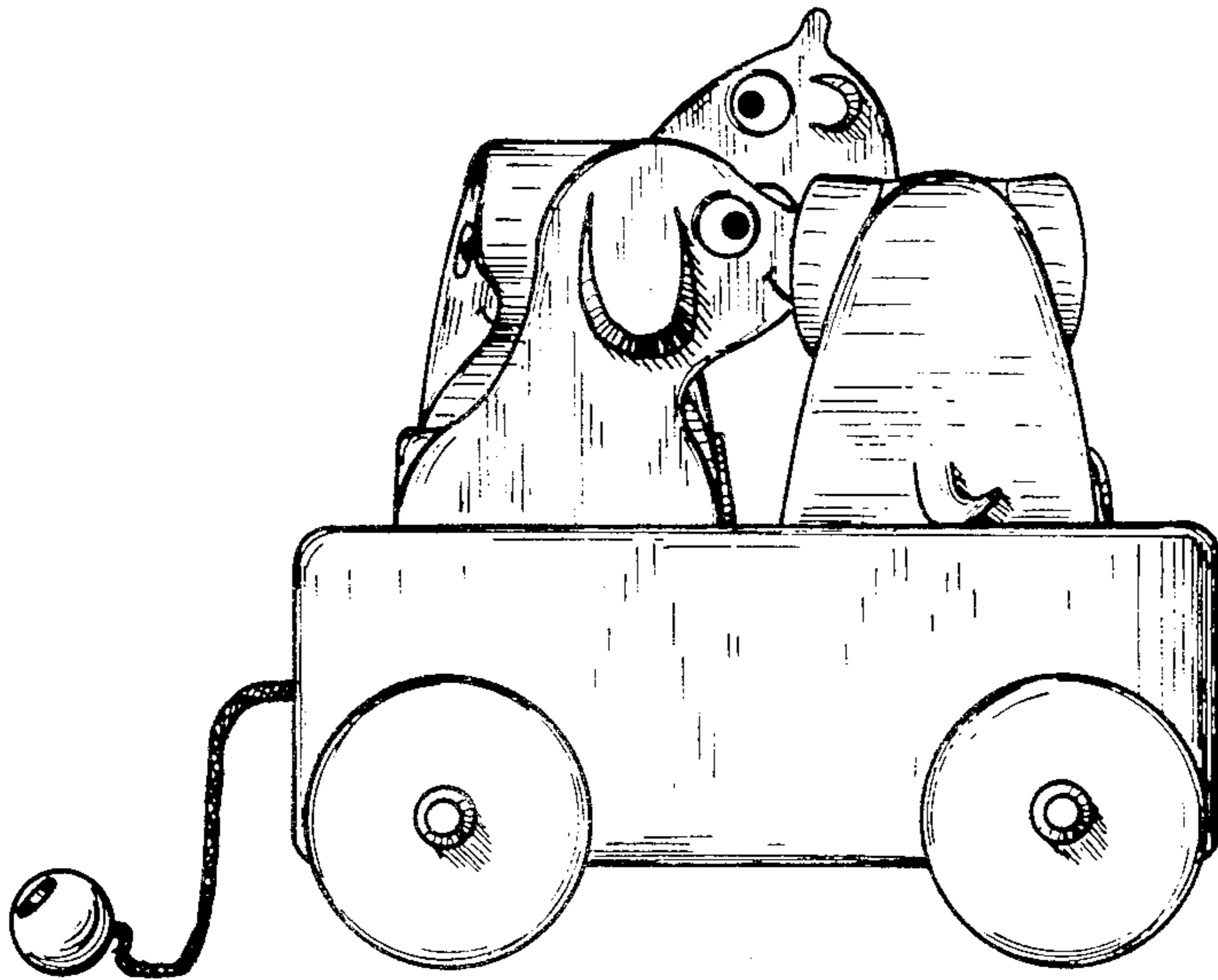


FIG. 11

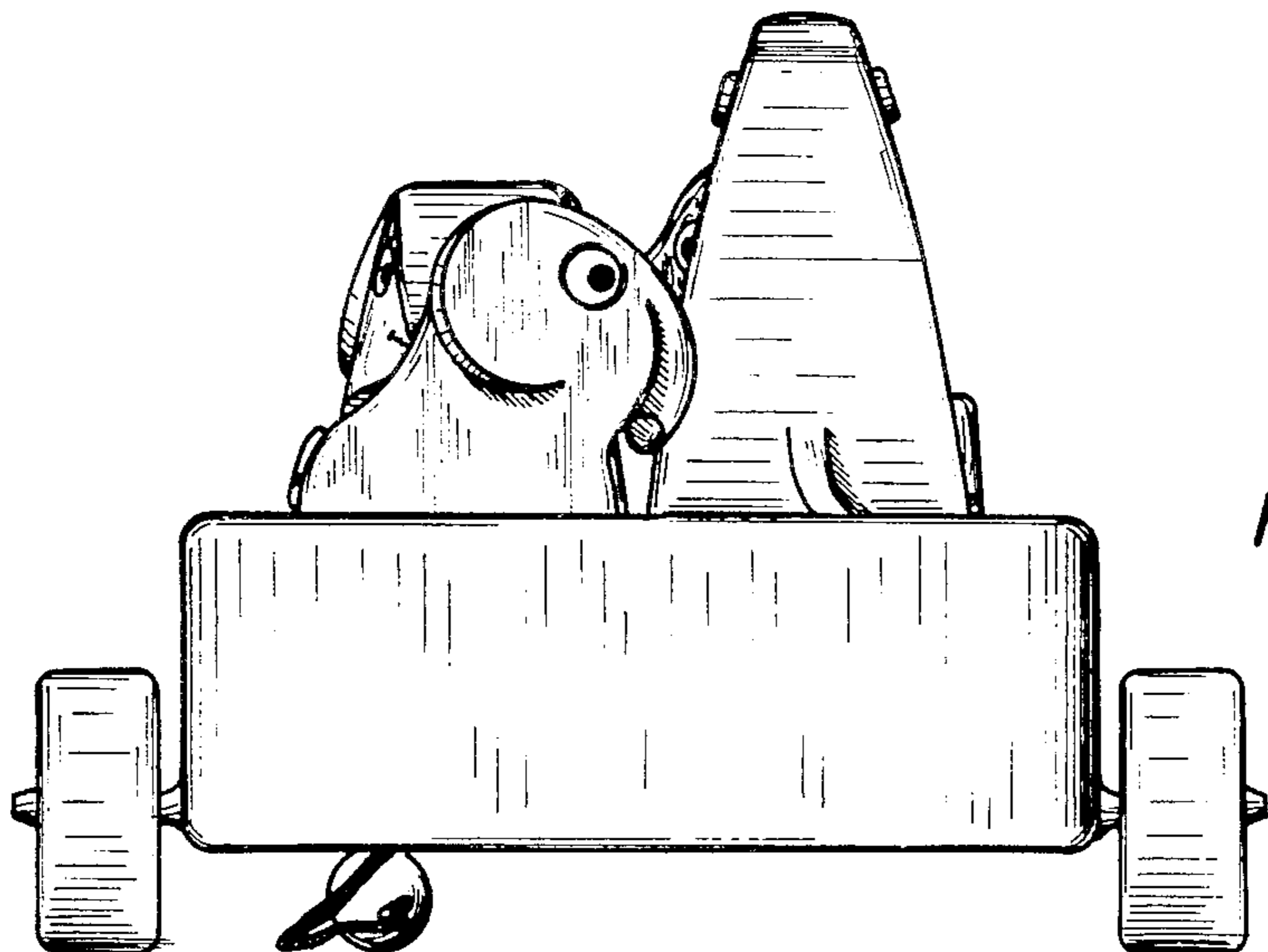


FIG. 12