

[54] GAME CONSOLE

[75] Inventor: Ronald R. Klawitter, Hermann, Mo.

[73] Assignee: Handi-Pac, Inc., Hermann, Mo.

[**] Term: 14 Years

[21] Appl. No.: 452,888

[22] Filed: Dec. 27, 1982

[52] U.S. Cl. D21/48

[58] Field of Search D6/406, 466; D21/48, D21/13; 273/148 B

[56] References Cited

U.S. PATENT DOCUMENTS

- D. 250,607 12/1978 McKinsey et al. D13/4
- D. 252,926 9/1979 Thompson et al. D13/4
- D. 274,488 7/1984 Howitt D6/406
- 4,422,640 12/1983 Tamarkin 273/DIG. 28 X

OTHER PUBLICATIONS

Retail Home Furnishings, Jun. 5-6, 1977-Section 2 p. 31.

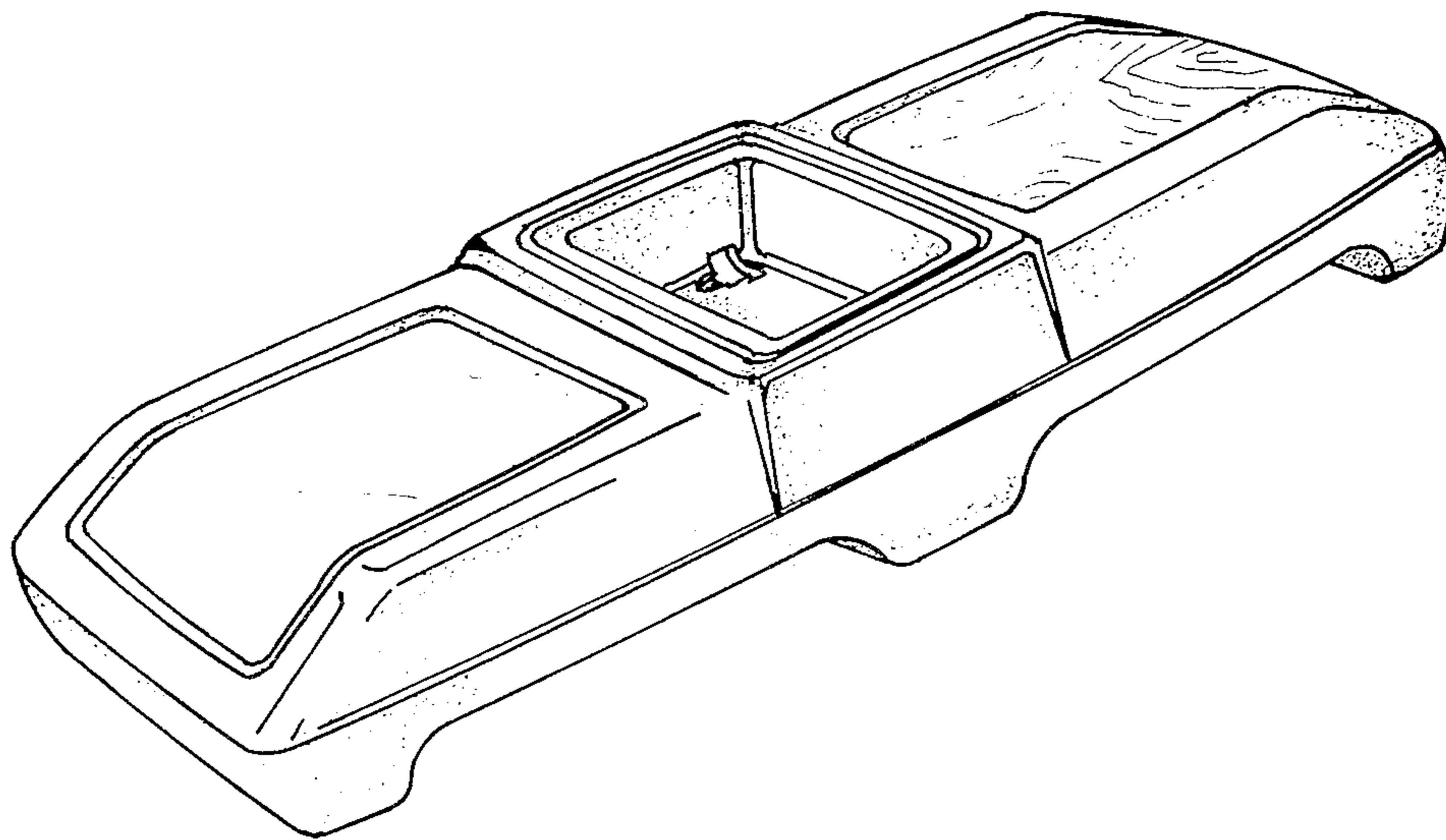
Primary Examiner—Bernard Ansher
Assistant Examiner—Theodore M. Shooman
Attorney, Agent, or Firm—Polster, Polster and Lucchesi

[57] CLAIM

The ornamental design for game console, as shown and described.

DESCRIPTION

FIG. 1 is a perspective view of a game console showing my new design;
FIG. 2 is a right side elevational view thereof; the left side elevational view being a mirror image thereof;
FIG. 3 is a top plan view thereof;
FIG. 4 is a front elevational view thereof;
FIG. 5 is a bottom plan view thereof; and
FIG. 6 is a rear elevational view thereof.



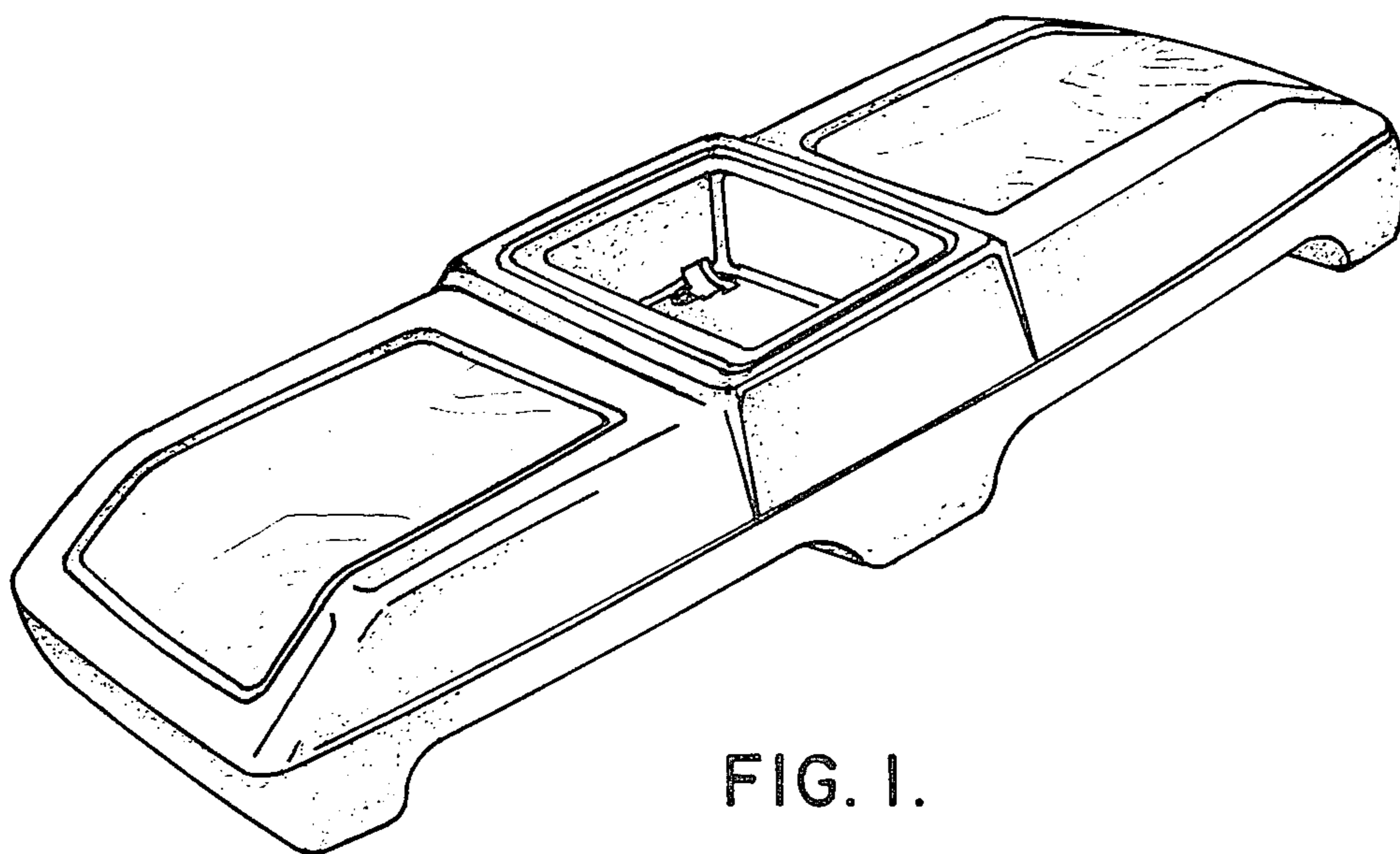


FIG. 1.

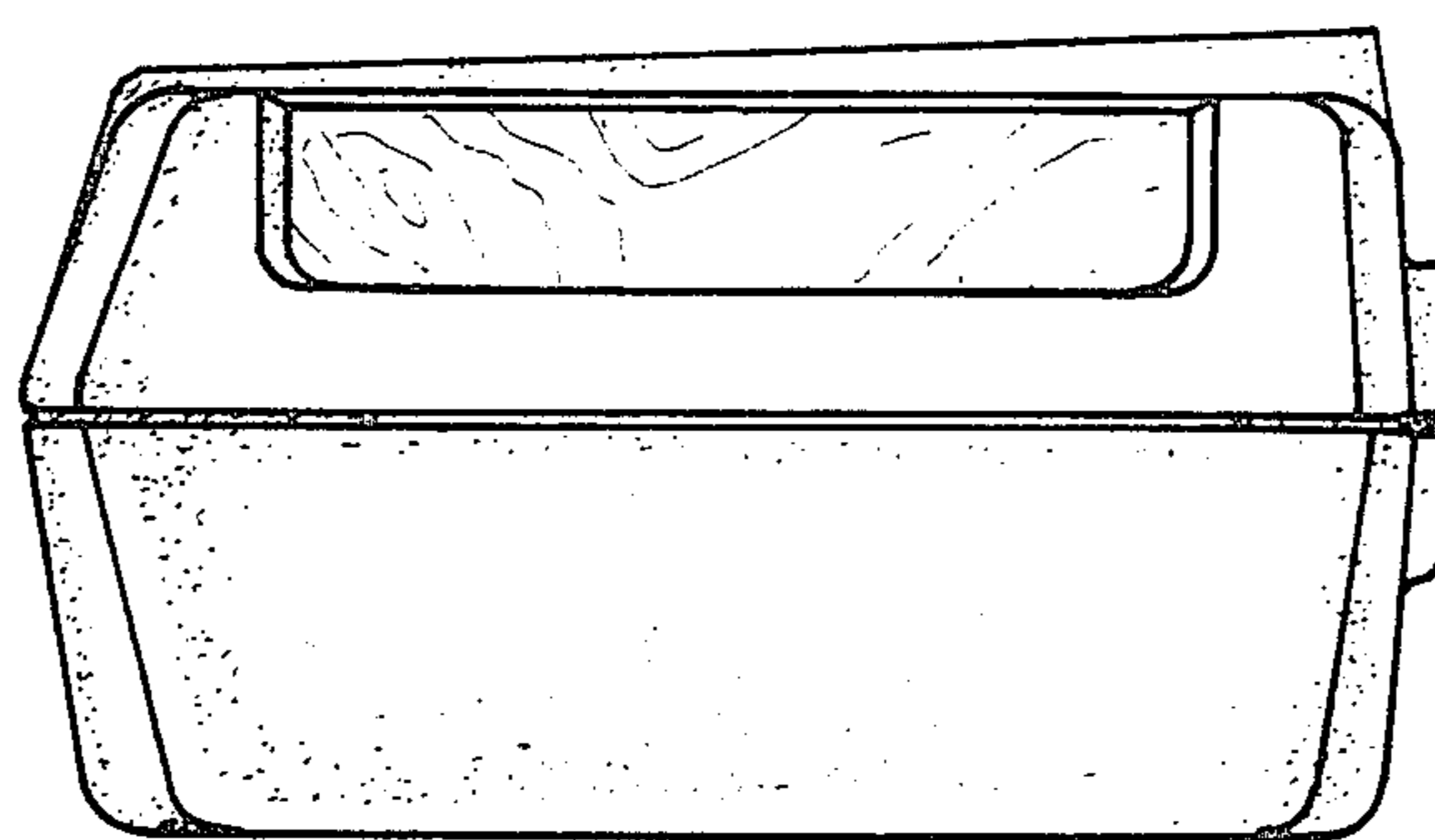


FIG. 2.

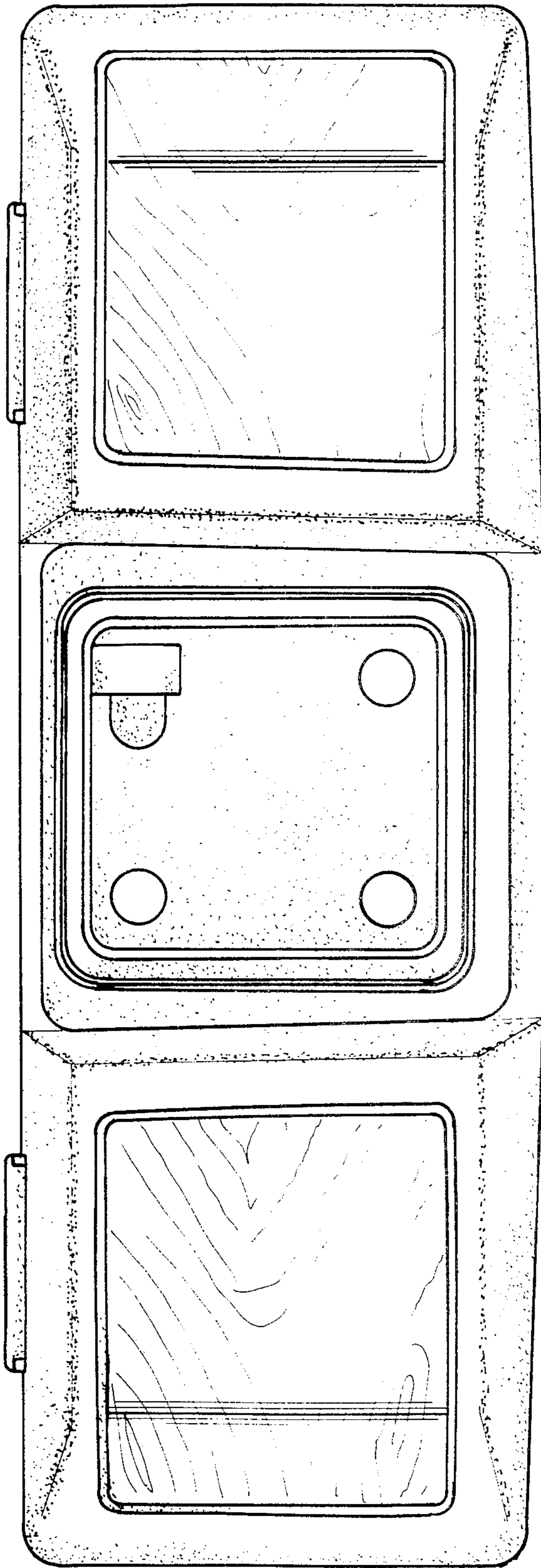


FIG. 3.

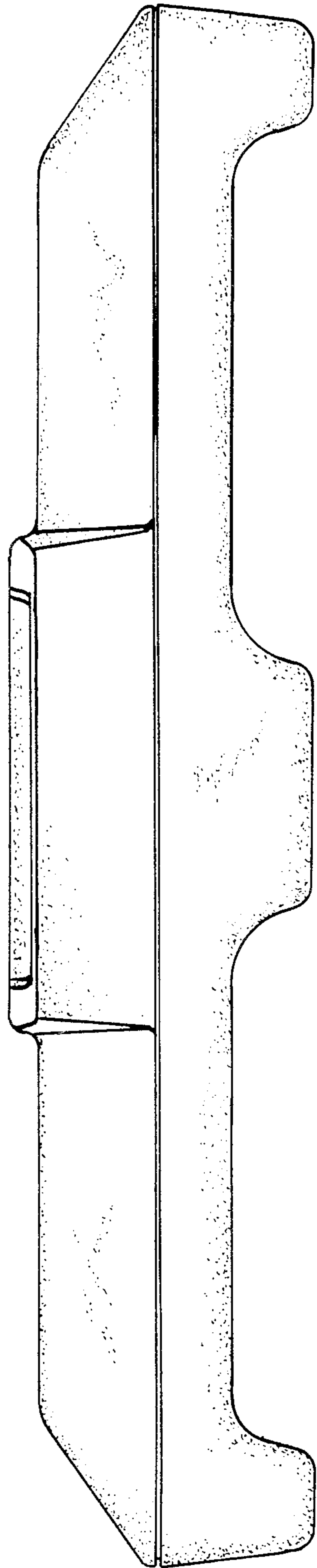


FIG. 4.

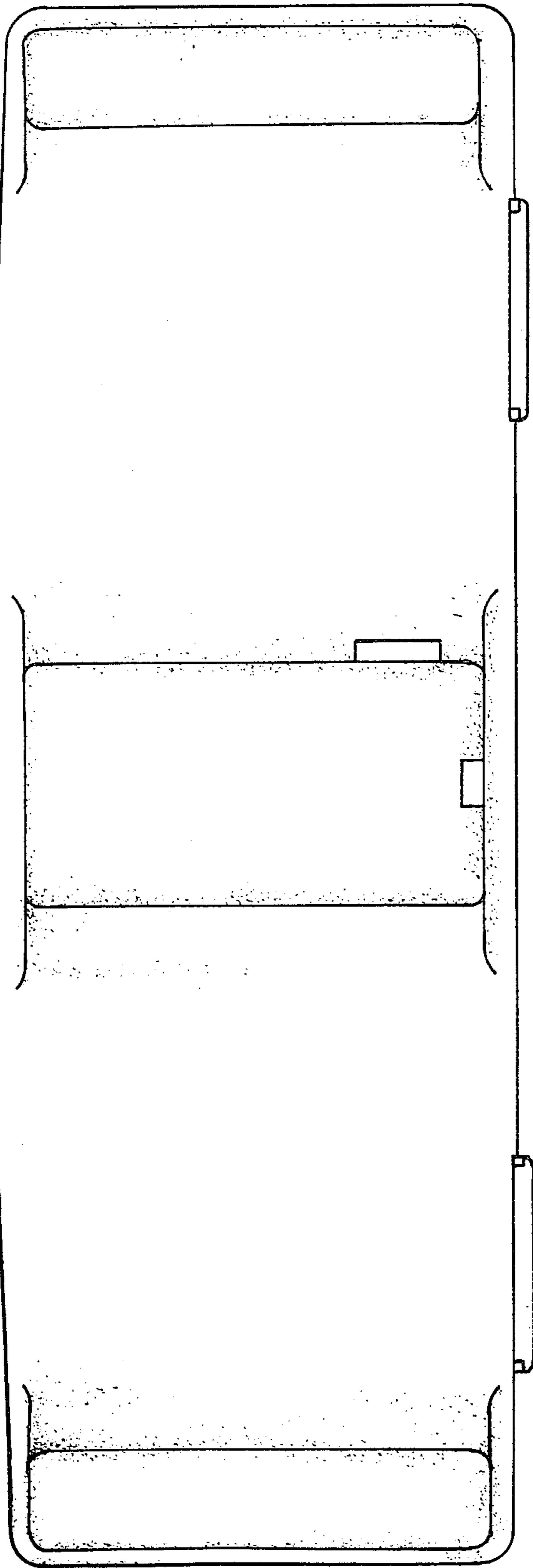


FIG. 5.

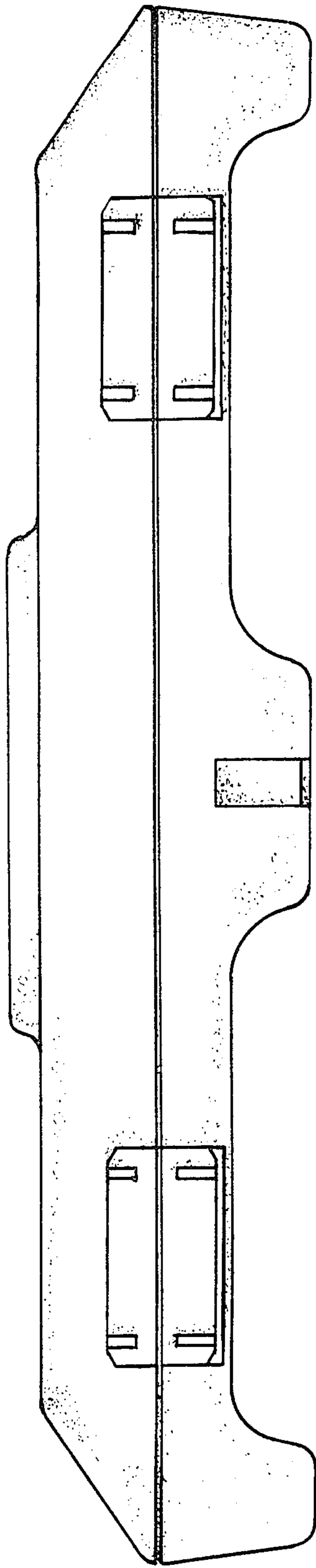


FIG. 6.