

[54] PORTABLE SIGN AND STAND THEREFOR

[75] Inventor: Christopher J. Ashton, Barnet, England

[73] Assignee: Marler Haley ExpoSystems, Limited, Barnet, England

[**] Term: 14 Years

[21] Appl. No.: 358,898

[22] Filed: Mar. 17, 1982

[30] Foreign Application Priority Data

Sep. 17, 1981 [GB] United Kingdom 1002527

[52] U.S. Cl. D20/21

[58] Field of Search D20/10, 12, 18, 19, D20/21, 99; 40/584, 606, 611, 618, 489, 492, 436, 437, 476, 493, 503-507, 446, 453, 475, 473

[56] References Cited

U.S. PATENT DOCUMENTS

1,857,387	5/1932	Von Der Lippe-Lipski	40/476
3,080,668	3/1963	Reali	40/476
3,199,239	8/1965	Reed	40/505
3,313,131	4/1967	Werner	40/611 X
3,367,049	2/1968	Noreen	40/505
3,383,785	5/1968	Werner	40/505
3,387,394	6/1968	Werner	40/611 X

3,613,277	10/1971	Rose et al.	40/437 X
4,164,086	8/1979	Morgan et al.	40/476
4,189,859	2/1980	Ahlgren	40/505
4,209,926	7/1980	Ueki et al.	40/437
4,248,001	2/1981	Feuvray	40/606 X

FOREIGN PATENT DOCUMENTS

1324227	9/1961	France	40/584
618119	2/1961	Italy	40/584

OTHER PUBLICATIONS

Television Retailing-Jan. 1953-p. 57-Fan.

Primary Examiner—Catherine E. Kemper

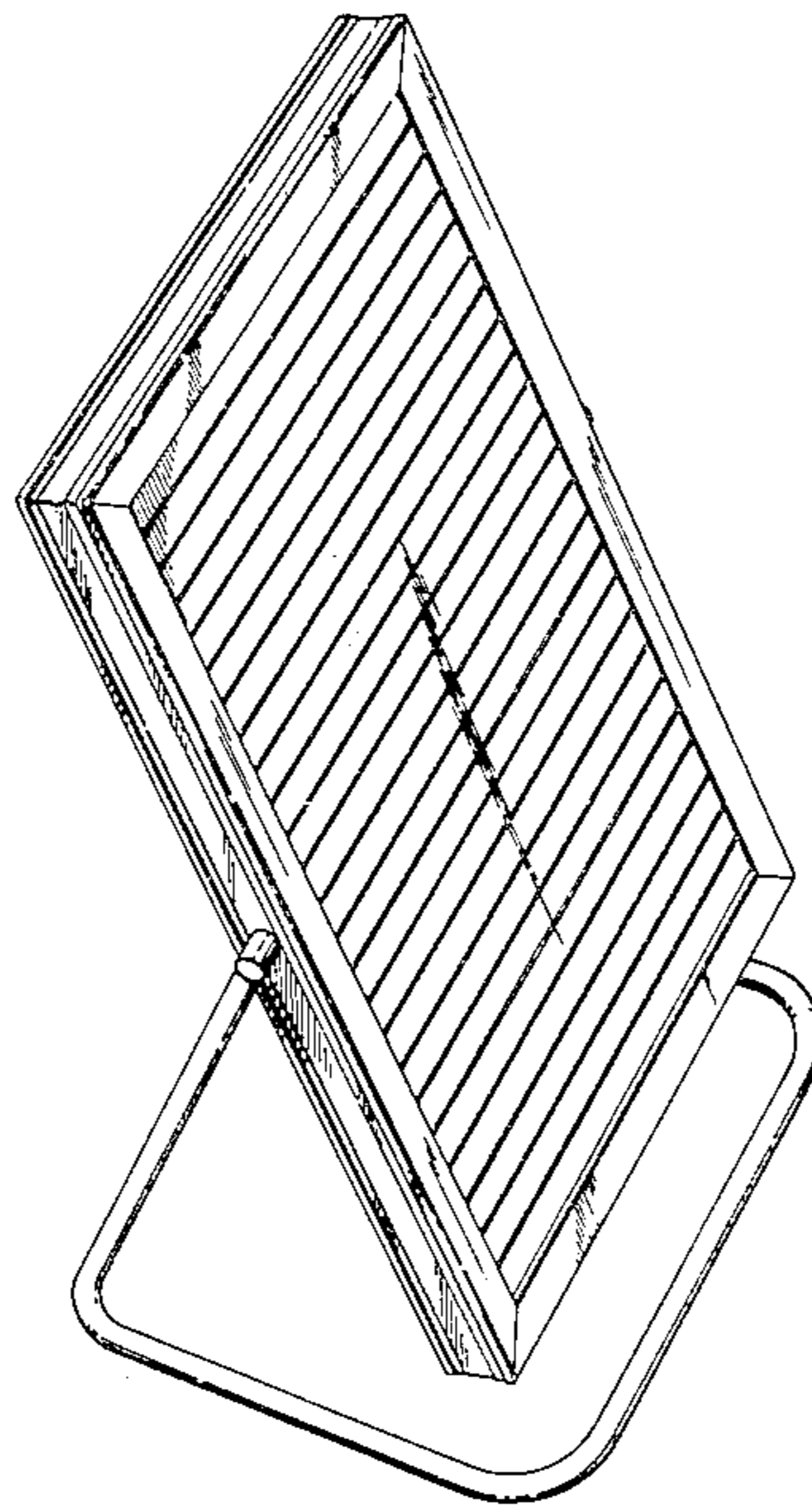
Attorney, Agent, or Firm—Shlesinger, Fitzsimmons & Shlesinger

[57] CLAIM

The ornamental design for a portable sign and stand therefor, as shown and described.

DESCRIPTION

FIG. 1 is a top front perspective view of a portable sign and stand therefor, showing my new design; FIG. 2 is a bottom plan view thereof; FIG. 3 is a rear elevational view thereof; FIG. 4 is a right side elevational view thereof; and FIG. 5 is a top front perspective view of a second embodiment of a sign.



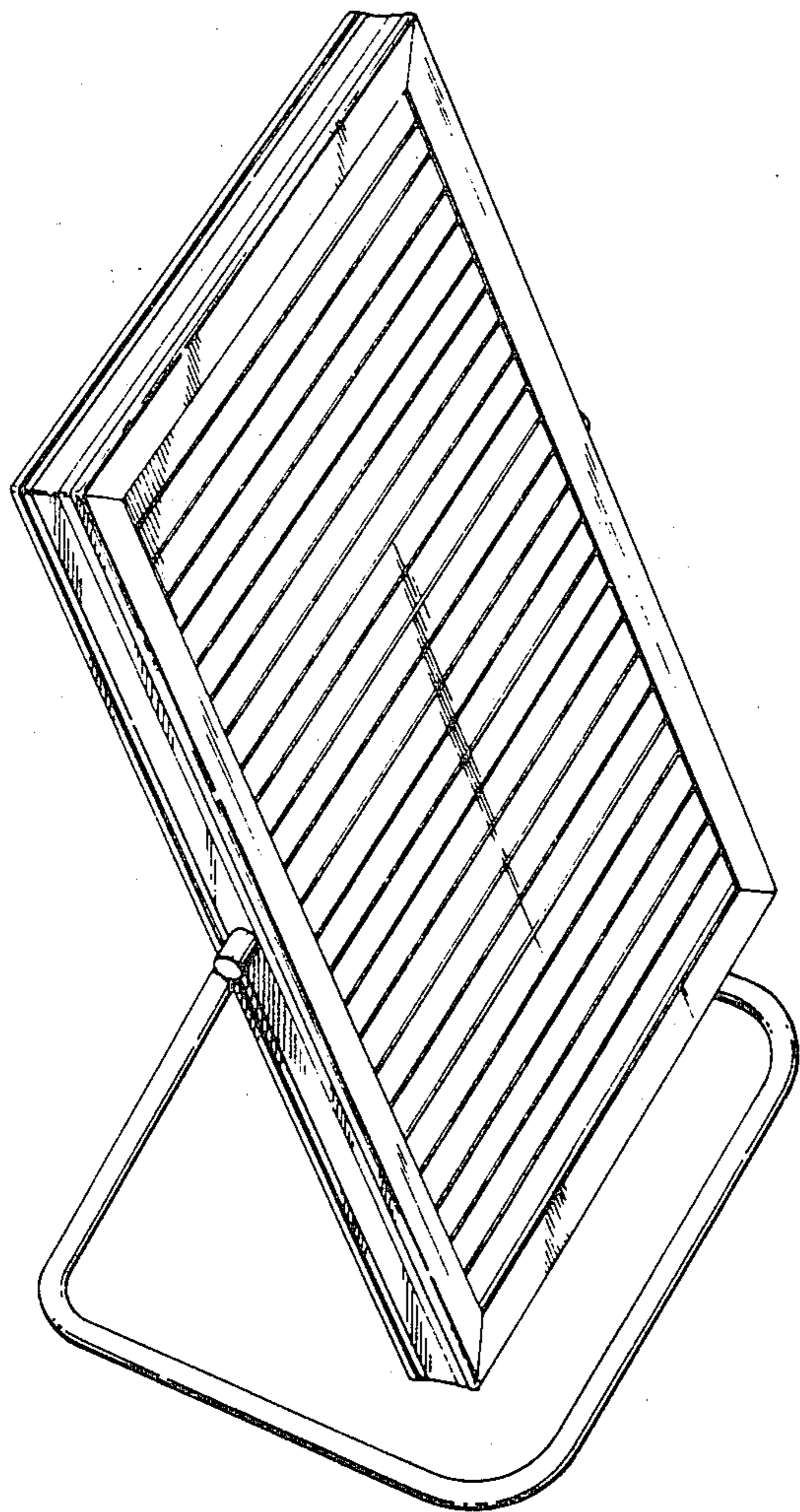


Fig. 1.

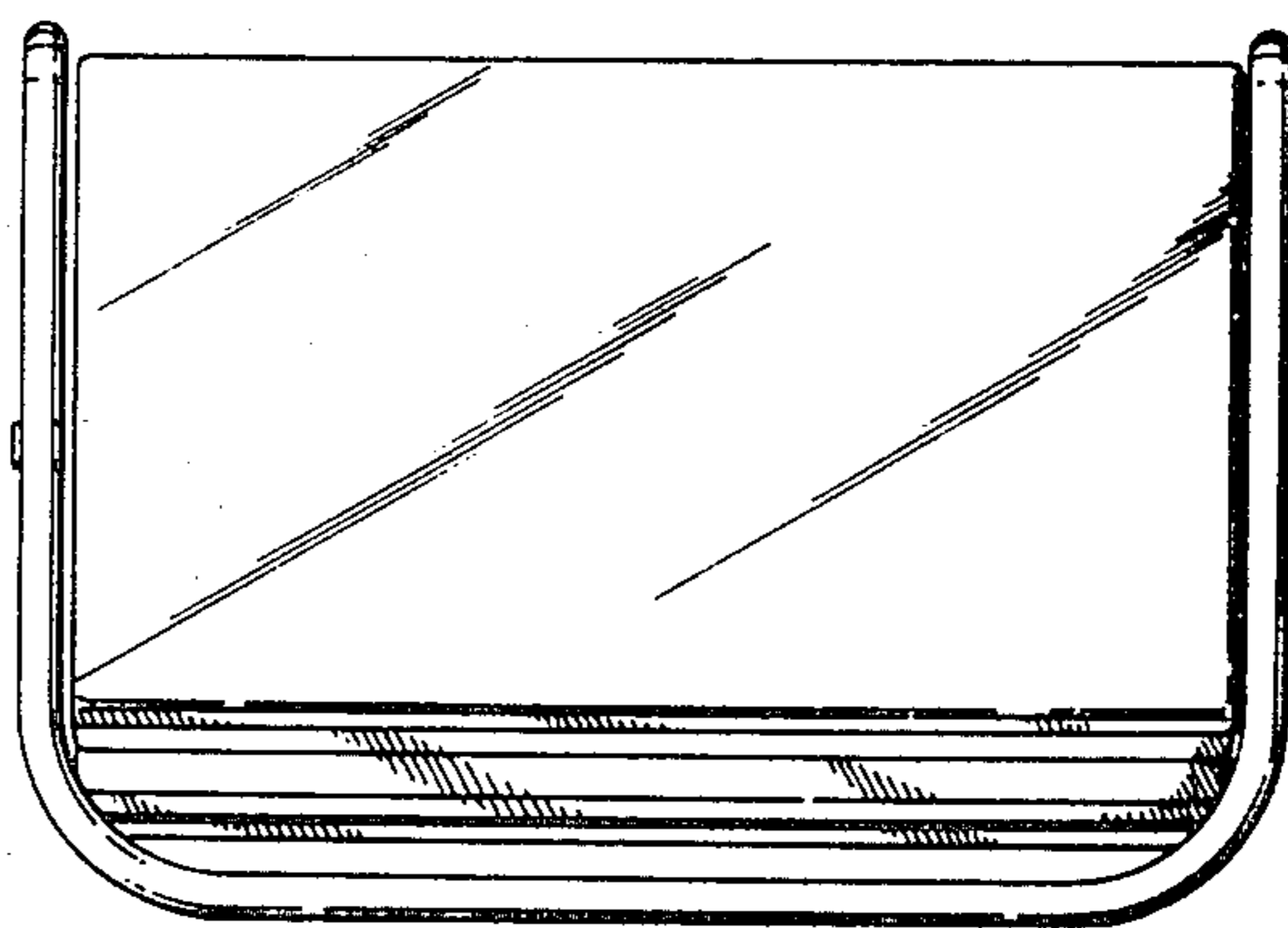


Fig. 2.

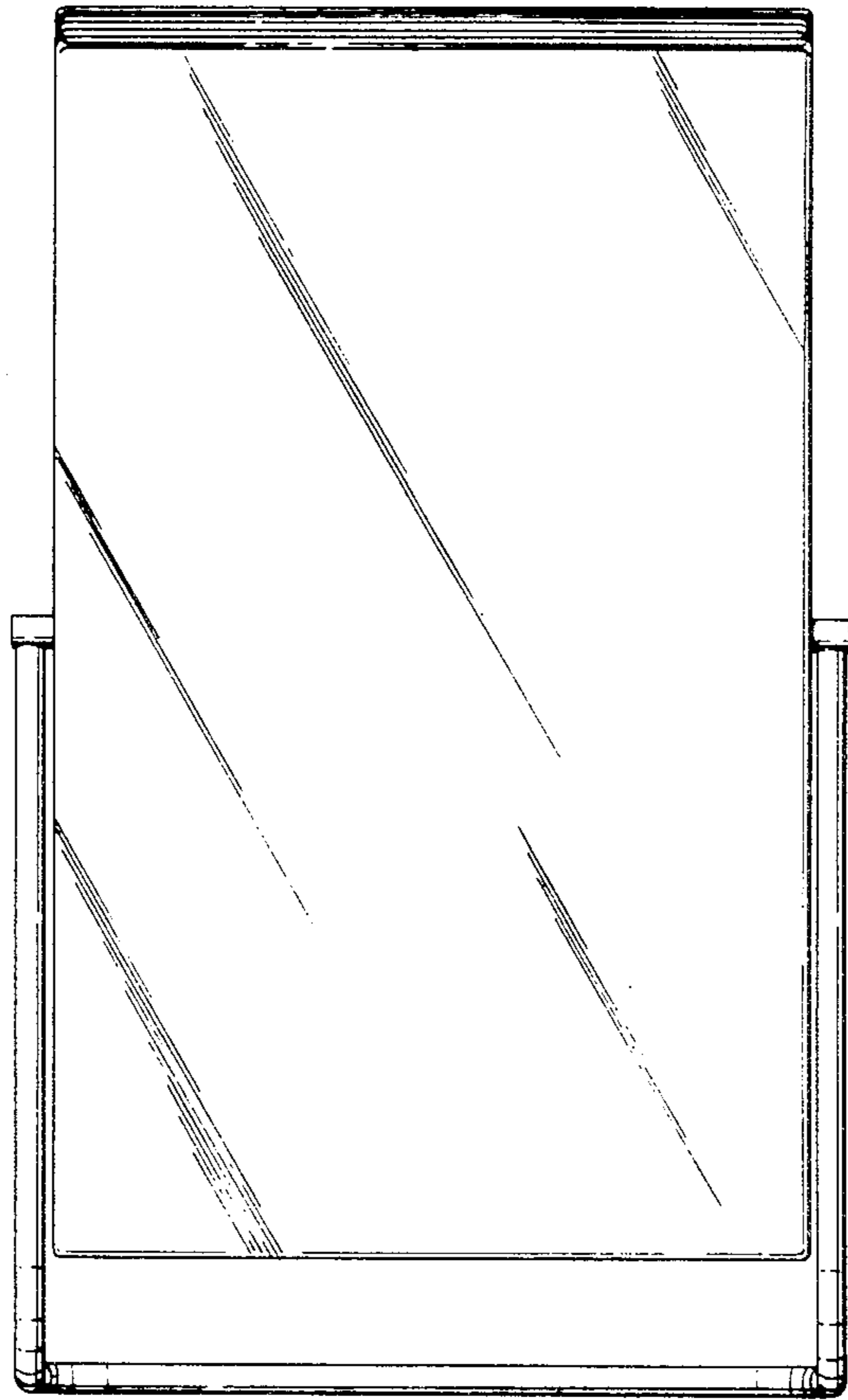


Fig. 3.

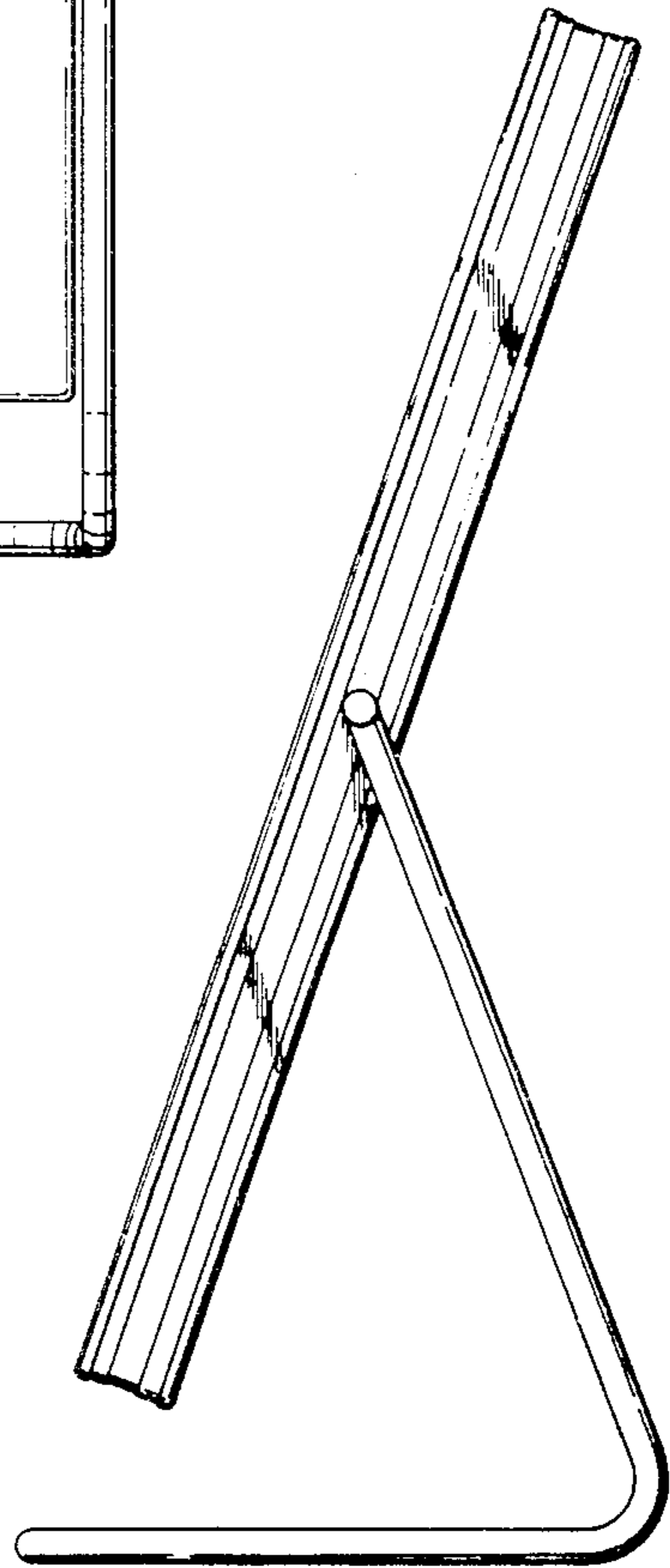


Fig. 4.

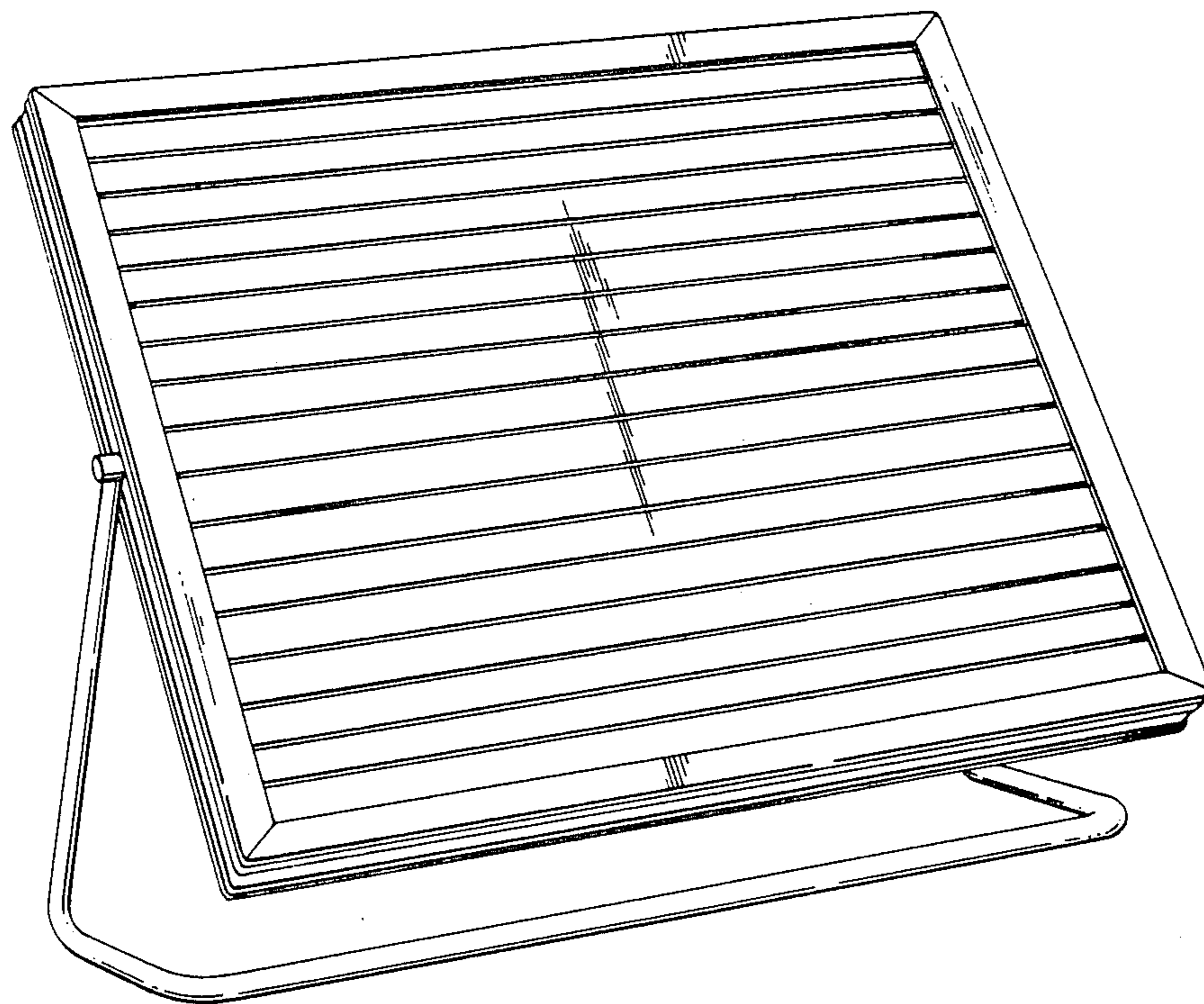


Fig. 5.