

[54] **SCREEN PRINTING PRESS**

[75] **Inventor:** Henry J. Bubley, Deerfield, Ill.
[73] **Assignee:** American Screen Printing Company, Chicago, Ill.
[**] **Term:** 14 Years
[21] **Appl. No.:** 436,661
[22] **Filed:** Oct. 26, 1982
[52] **U.S. Cl.** D18/13
[58] **Field of Search** D18/13, 14; 101/115, 101/121-123, 126

[56] **References Cited**

U.S. PATENT DOCUMENTS

D. 235,807	7/1975	Krutsch	D64/11 R
3,731,623	5/1973	Bubley et al.	101/114
3,859,917	1/1975	Bubley et al.	101/123
3,955,501	5/1976	Bubley et al.	101/123
4,031,824	6/1977	Bubley et al.	101/126
4,254,708	3/1981	Bubley et al.	101/123

OTHER PUBLICATIONS

Screen Printing, 7/80, outside back cover—Cameo Press.
Screen Printing, 7/81, outside back cover—American International Press.
Screen Printing, 9/81, outside back cover—Presses at left and right bottom.
Primary Examiner—Louis S. Zarfes
Attorney, Agent, or Firm—Fitch, Even, Tabin & Even

[57] **CLAIM**

The ornamental design for a screen printing press, substantially as shown and described.

DESCRIPTION

FIG. 1 is a perspective view of a screen printing press embodying my new design;
FIG. 2 is a front elevational view thereof;
FIG. 3 is a plan view thereof;
FIG. 4 is a side elevational view thereof taken from the left side; and
FIG. 5 is a side elevational view thereof taken from the right side.

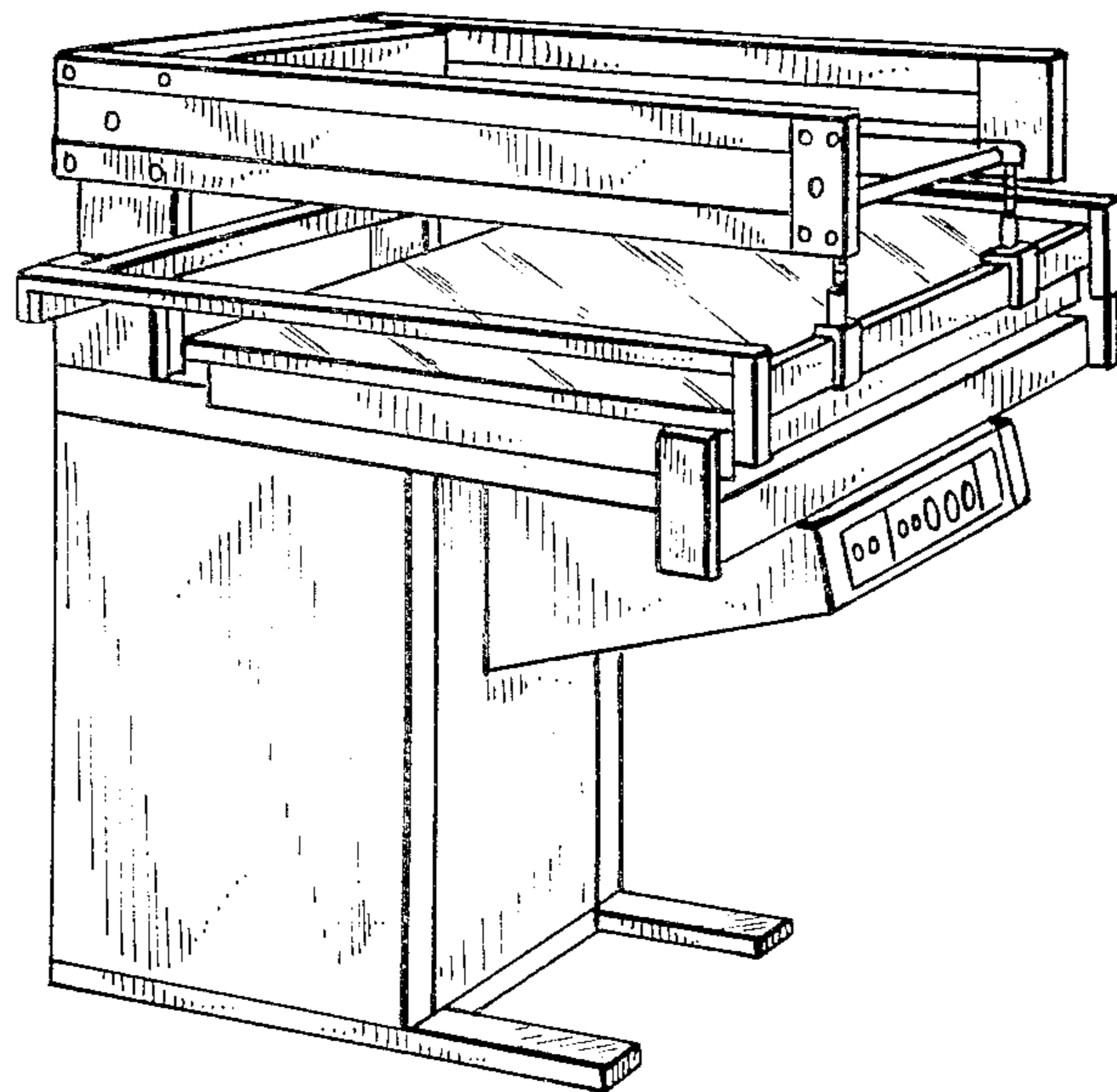


FIG. 1.

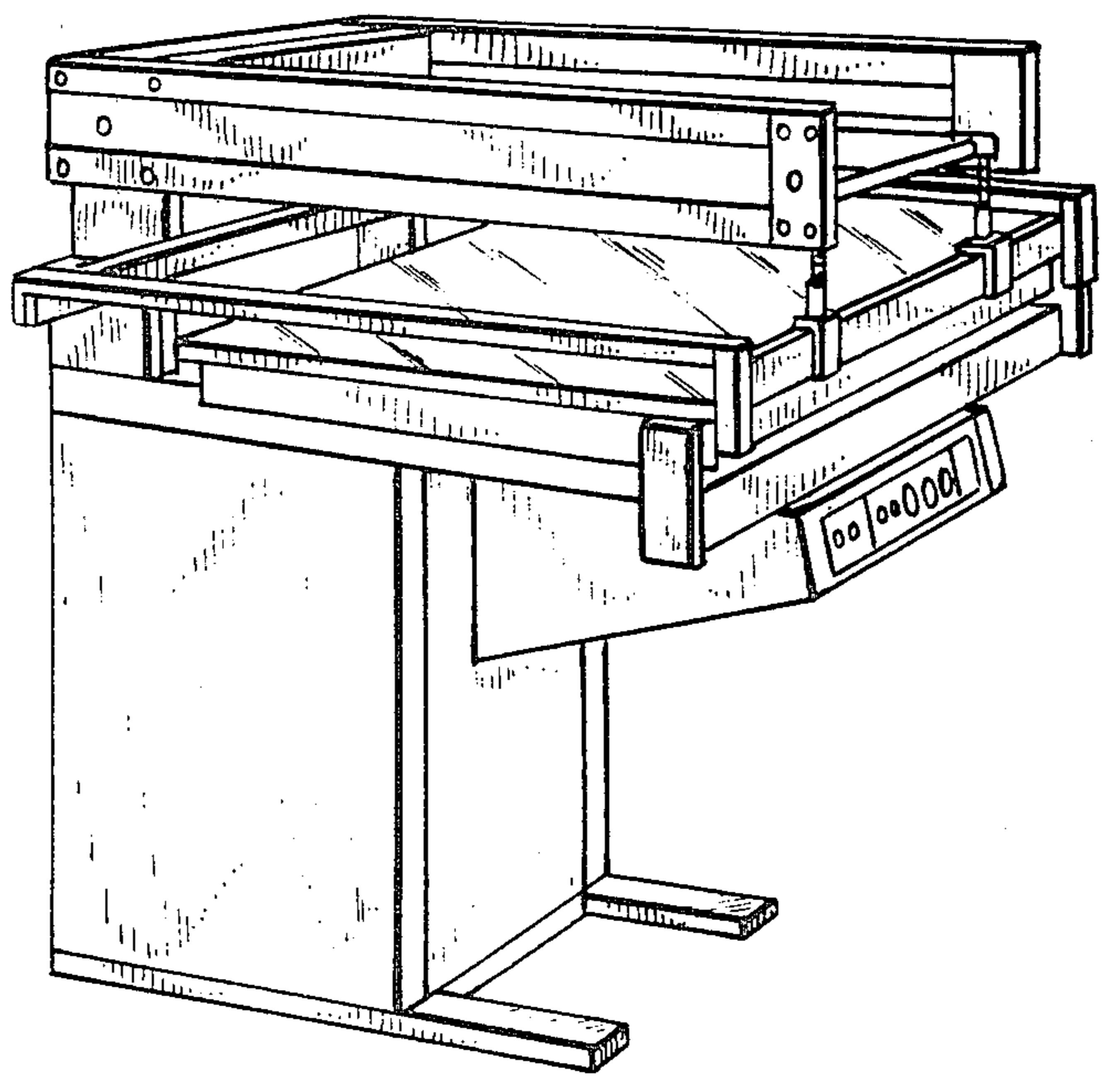


FIG. 2.

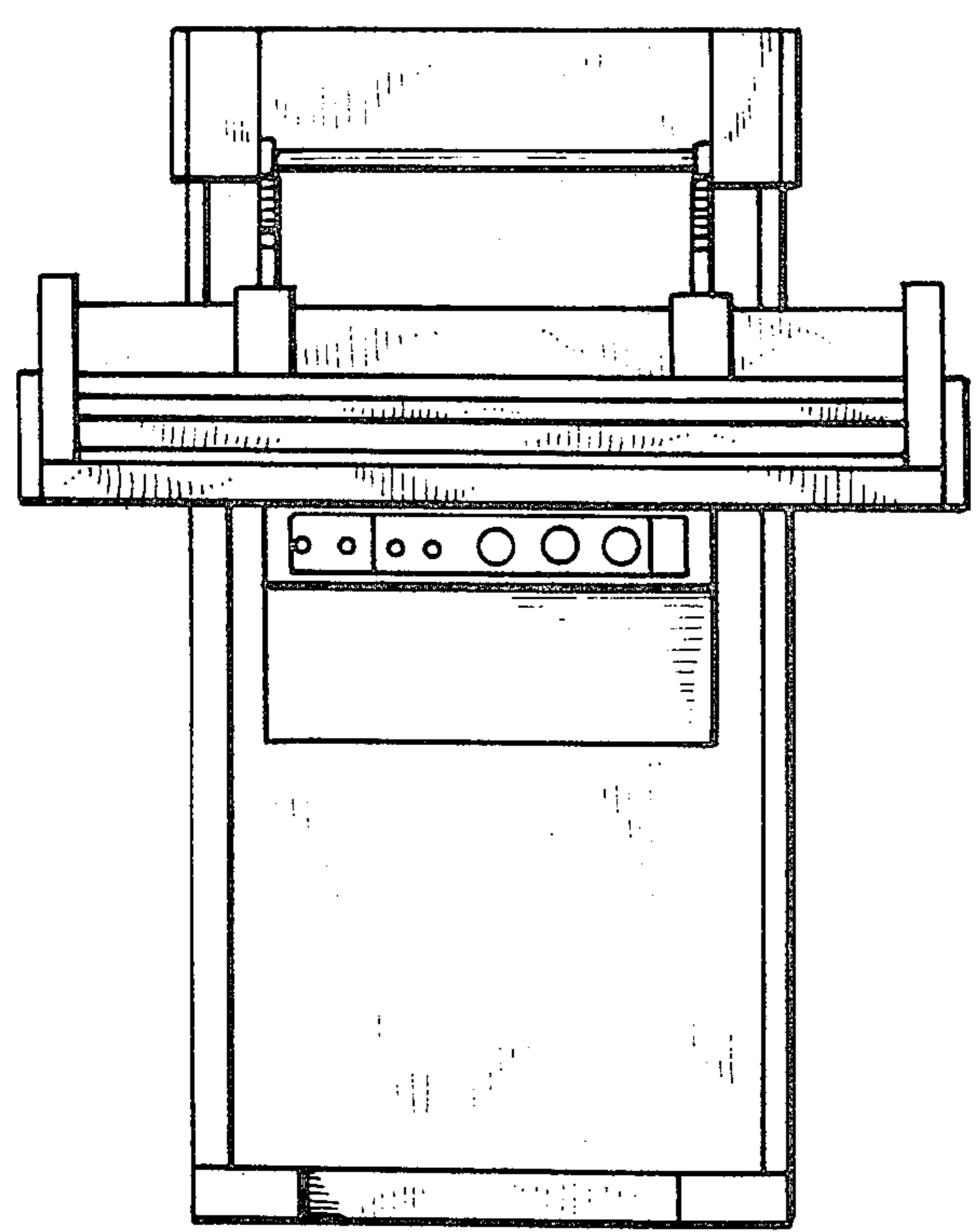


FIG. 3.

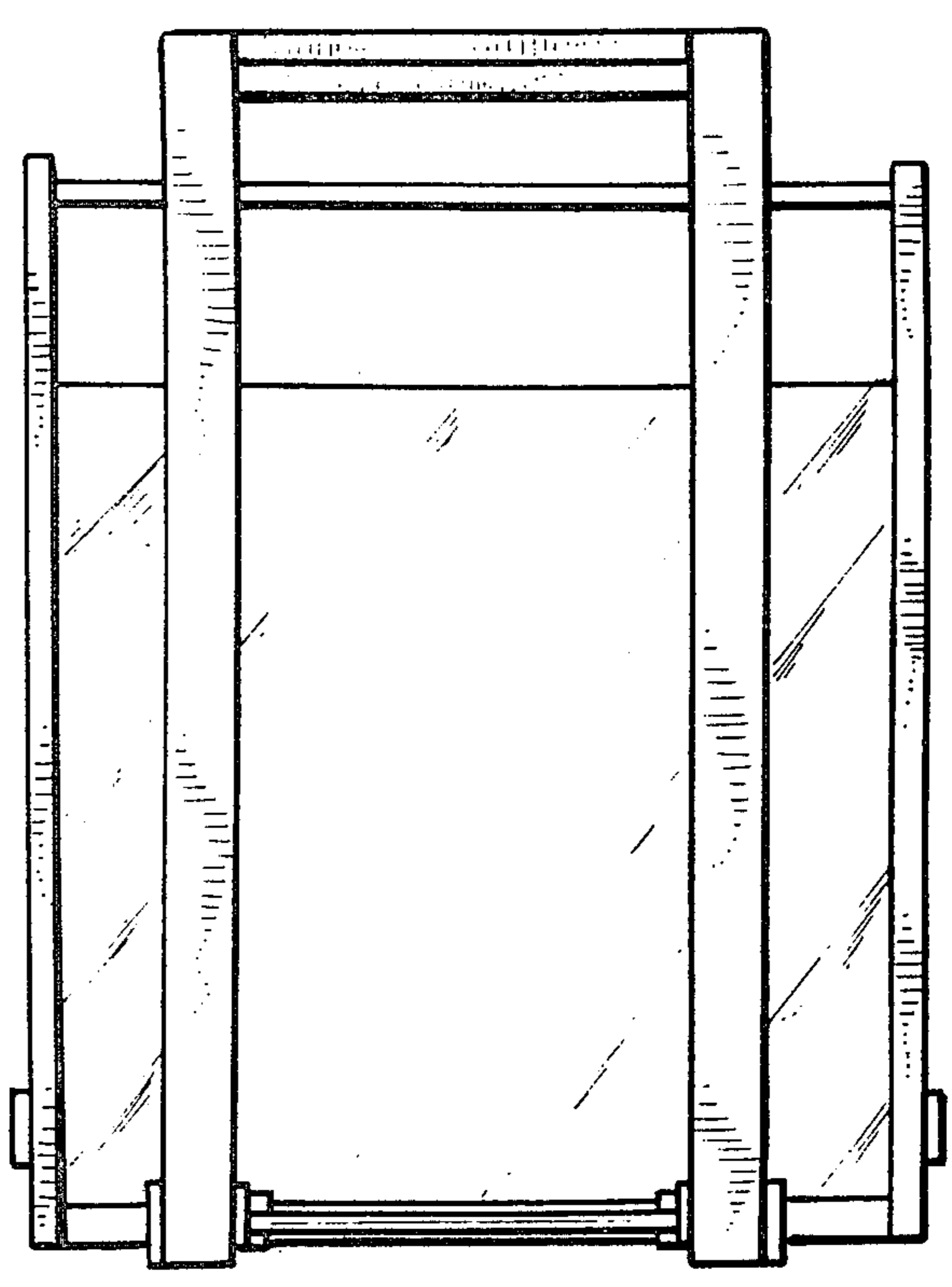


FIG. 4.

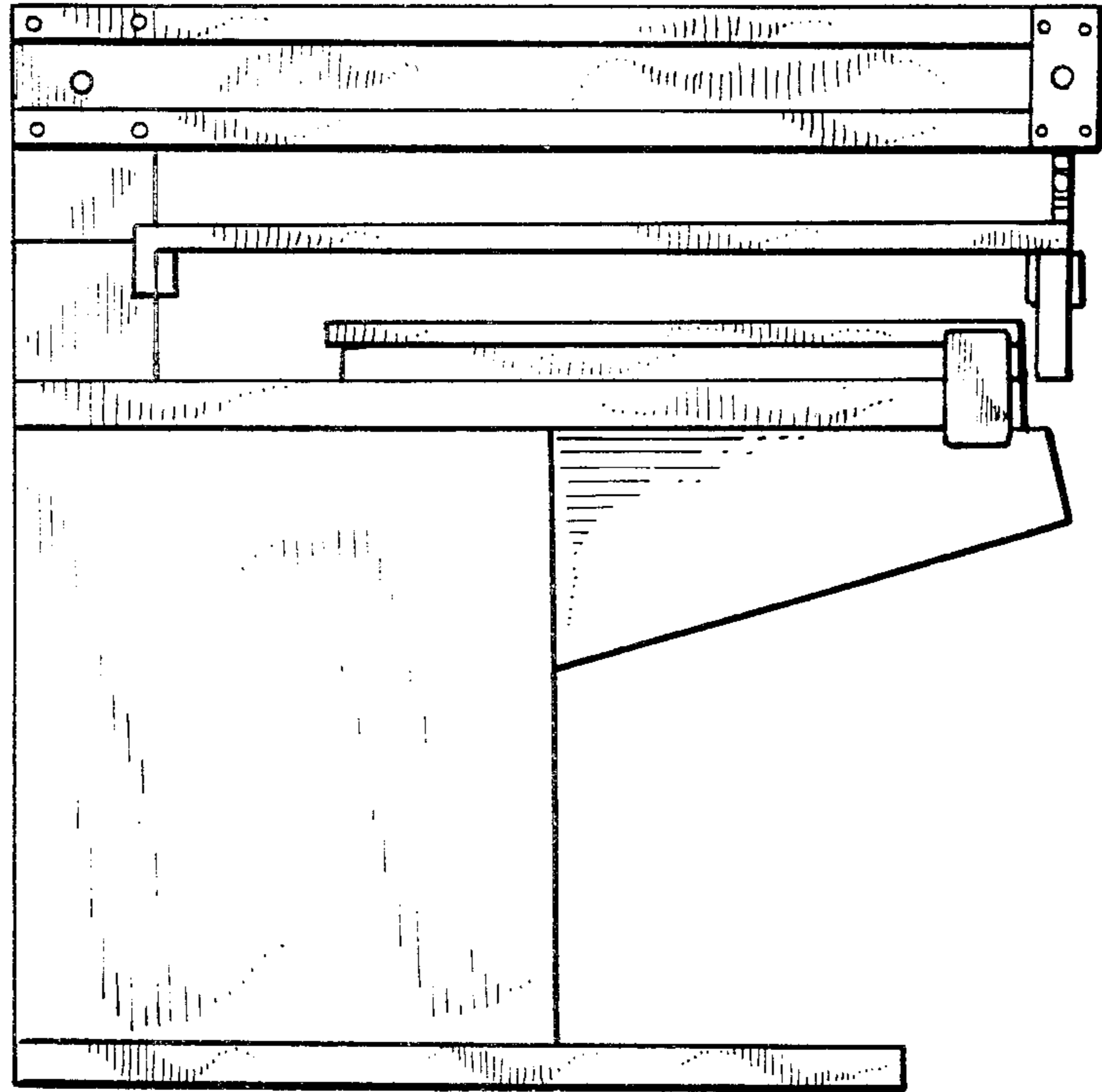


FIG. 5.

