

[54] MOLDING FRAME FOR LENSES

4,121,896 10/1978 Shepherd ..... 425/808

[75] Inventors: Hans O. Larsen, Farum; Ture Kindt-Larsen, Vedbaek, both of Denmark

Primary Examiner—B. J. Bullock  
Attorney, Agent, or Firm—Lawrence Rosen

[73] Assignee: Mia Lens Production A/S, Kobenhaunk, Denmark

[57] CLAIM

The ornamental design for a molding frame for lenses, as shown.

[\*\*] Term: 14 Years

DESCRIPTION

[21] Appl. No.: 542,862

[22] Filed: Oct. 17, 1983

[52] U.S. Cl. .... D15/136

[58] Field of Search: ..... D15/135, 136, 126; 425/808; 249/82, 160, 120; 264/1.1

FIG. 1 is an enlarged perspective view of a molding frame for lenses showing our new design;  
FIG. 2 is a top plan view thereof;  
FIG. 3 is a bottom plan view thereof;  
FIG. 4 is a side elevational view taken along line 4—4 of FIG. 2;  
FIG. 5 is an end elevational view thereof;  
FIG. 6 is a sectional view taken in the direction of the arrows on line 6—6 of FIG. 3;  
FIG. 7 is a sectional view taken in the direction of the arrows on line 7—7 of FIG. 3;  
FIG. 8 is a sectional view taken in the direction of the arrows on line 8—8 of FIG. 3.

[56] References Cited

U.S. PATENT DOCUMENTS

- D. 154,449 7/1949 Williams ..... D15/126
- 2,302,917 11/1942 Smith ..... 425/808
- 3,871,803 3/1975 Beattie ..... 249/82
- 4,095,772 6/1978 Weber ..... 425/808

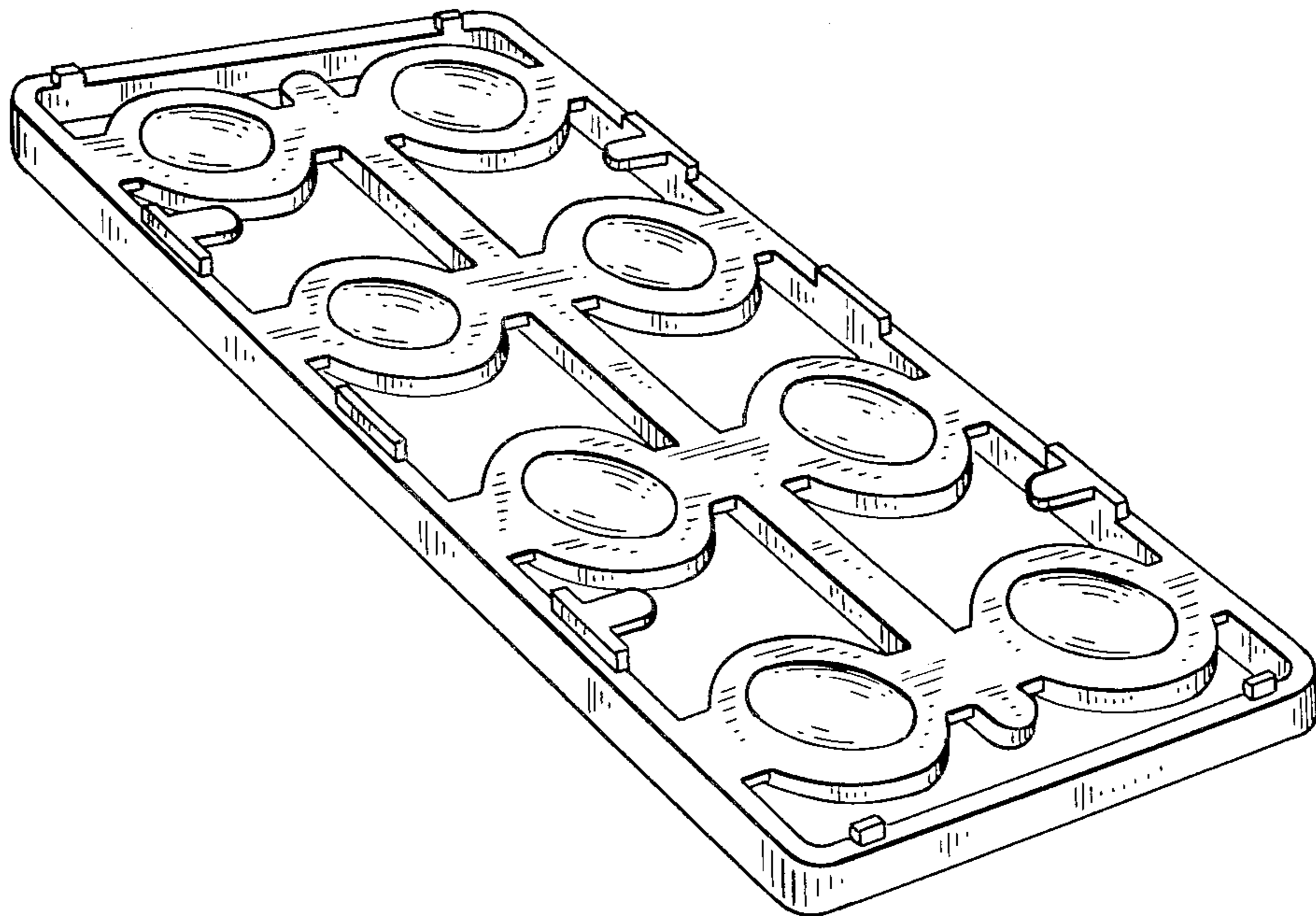


FIG. 1.

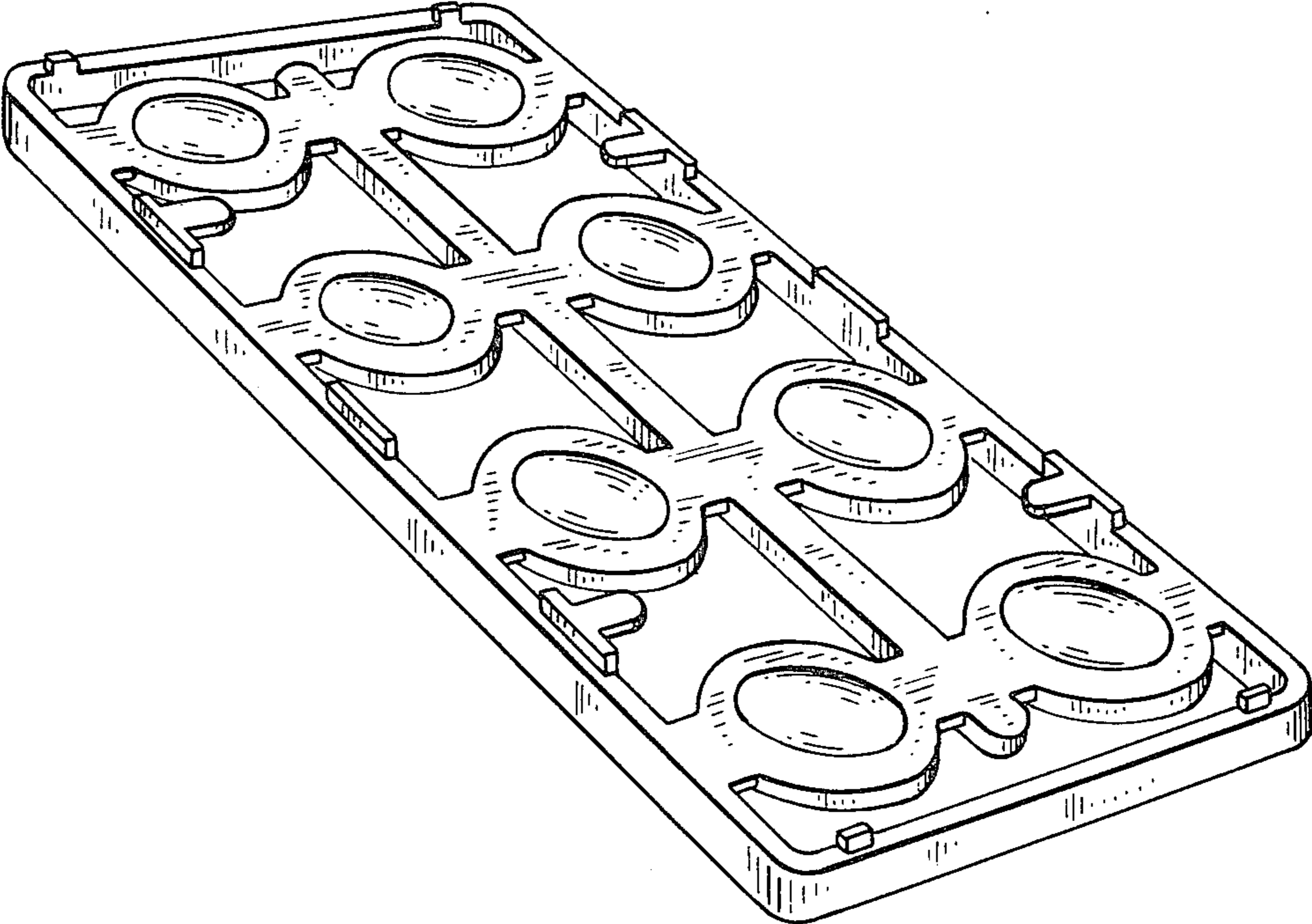


FIG. 2.

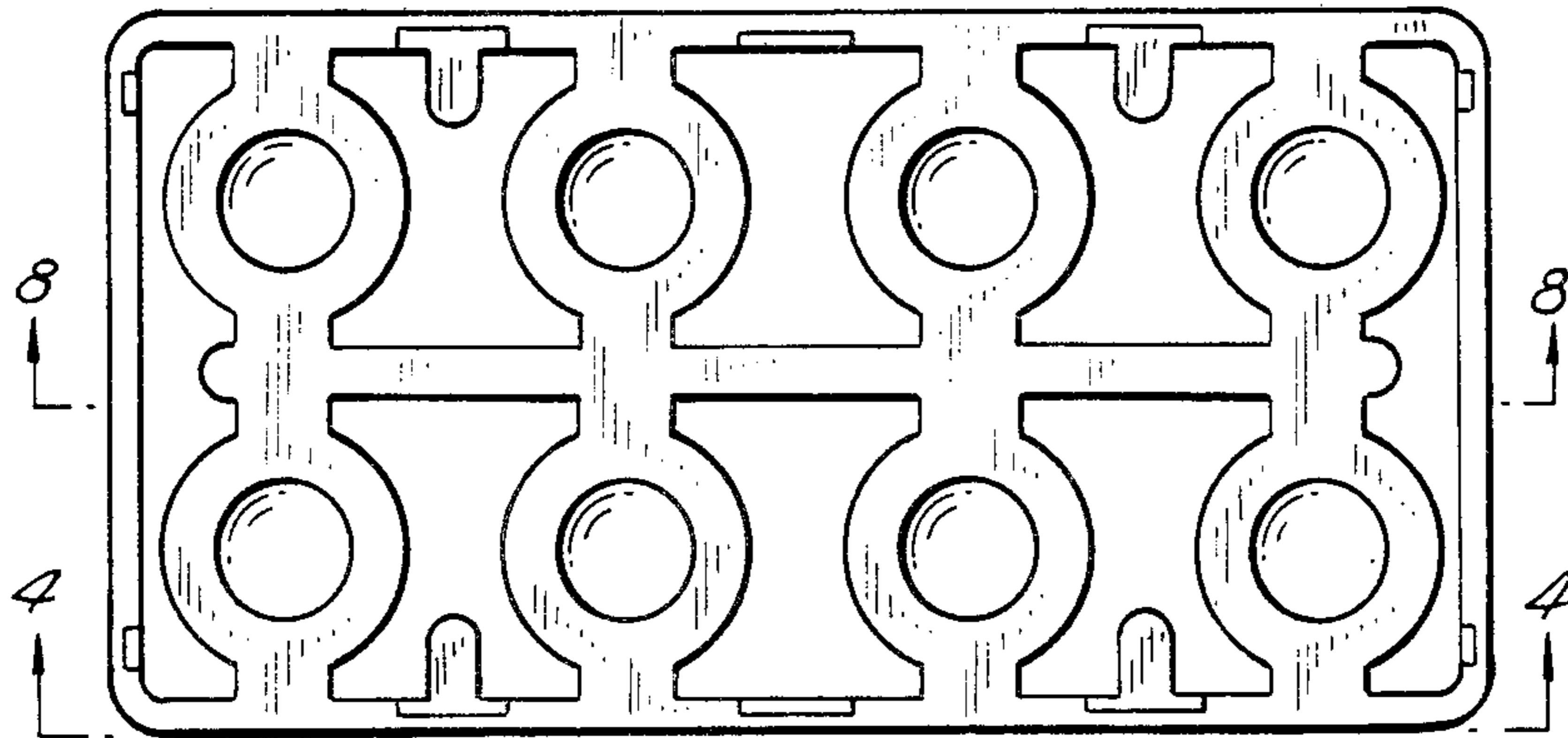


FIG. 5.

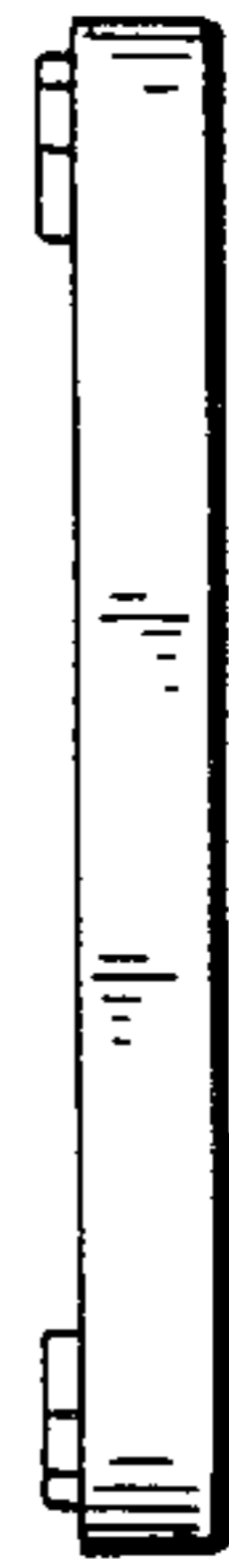


FIG. 3.

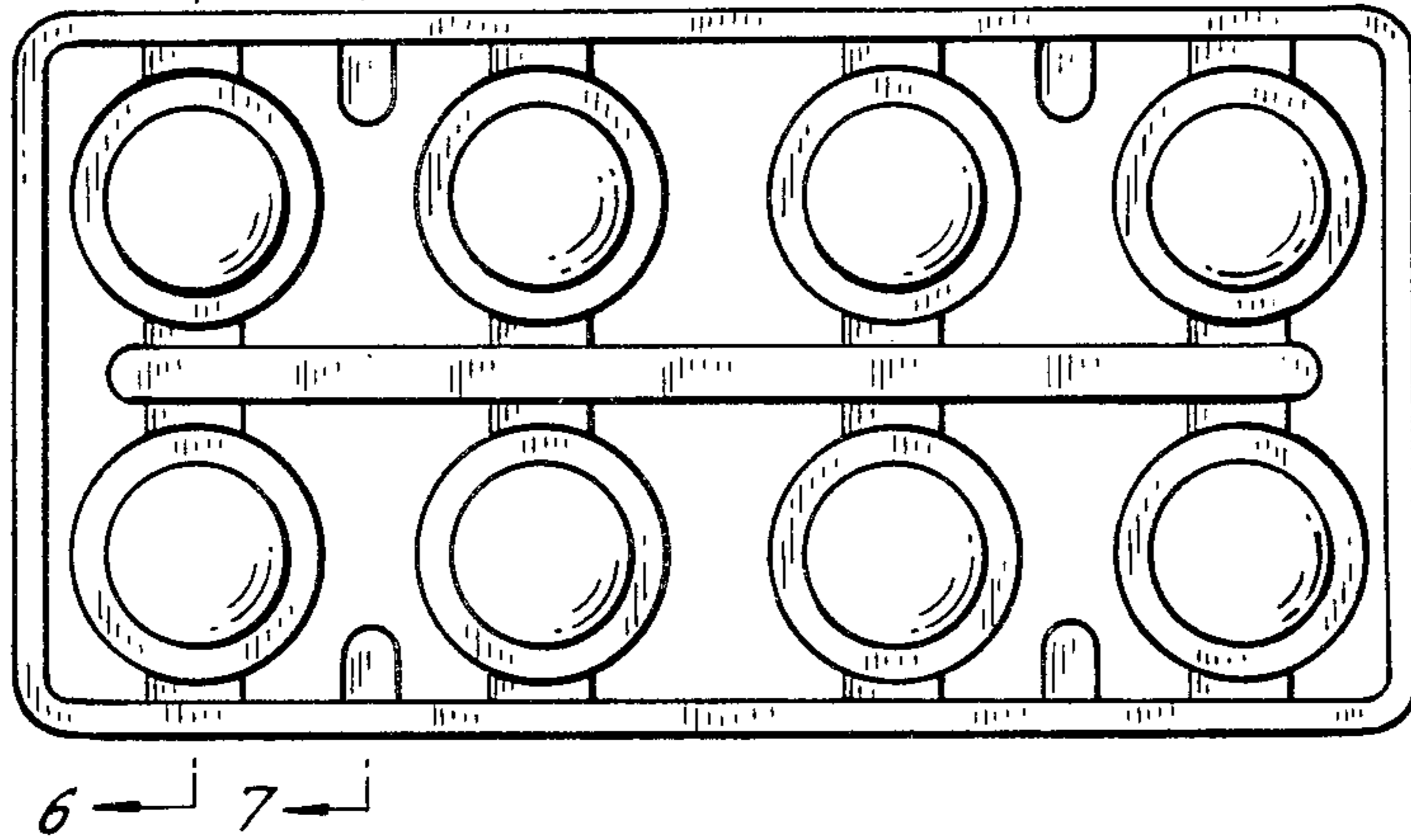


FIG. 6.



FIG. 4.



FIG. 7.

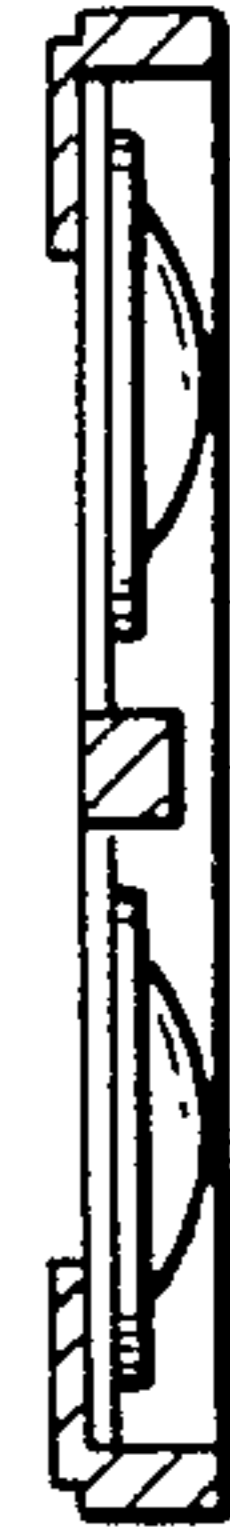


FIG. 8.

