

[54] PROGRAM CARTRIDGE FOR A PERSONAL COMPUTER

- D. 230,891 3/1974 Muramatsu D14/11
- D. 232,775 9/1974 Eldranta et al. D14/11
- D. 236,900 9/1975 Larsen D14/11
- D. 277,189 1/1985 Shibata D14/114

[75] Inventors: Myron F. Davis; Willis Y. Jordan, III; Robert Wysong, all of Boca Raton, Fla.

Primary Examiner—Jane E. Corrigan
Attorney, Agent, or Firm—Harold H. Sweeney, Jr.

[73] Assignee: International Business Machines Corporation, Armonk, N.Y.

[57] CLAIM

[**] Term: 14 Years

The ornamental design for a program cartridge for a personal computer, as shown.

[21] Appl. No.: 529,906

DESCRIPTION

[22] Filed: Sep. 7, 1983

[52] U.S. Cl. D14/114

[58] Field of Search D14/1, 11, 99, 114;
273/DIG. 28; 206/387; 360/132

FIG. 1 is a front, top and right side perspective view of a program cartridge for a personal computer showing our new design;
 FIG. 2 is a rear bottom and left side perspective view;
 FIG. 3 is a front elevational view;
 FIG. 4 is a left side elevational view;
 FIG. 5 is a right side elevational view;
 FIG. 6 is a top plan view; and
 FIG. 7 is a bottom plan view.

[56] References Cited

U.S. PATENT DOCUMENTS

- D. 224,683 8/1972 Wada et al. D14/11

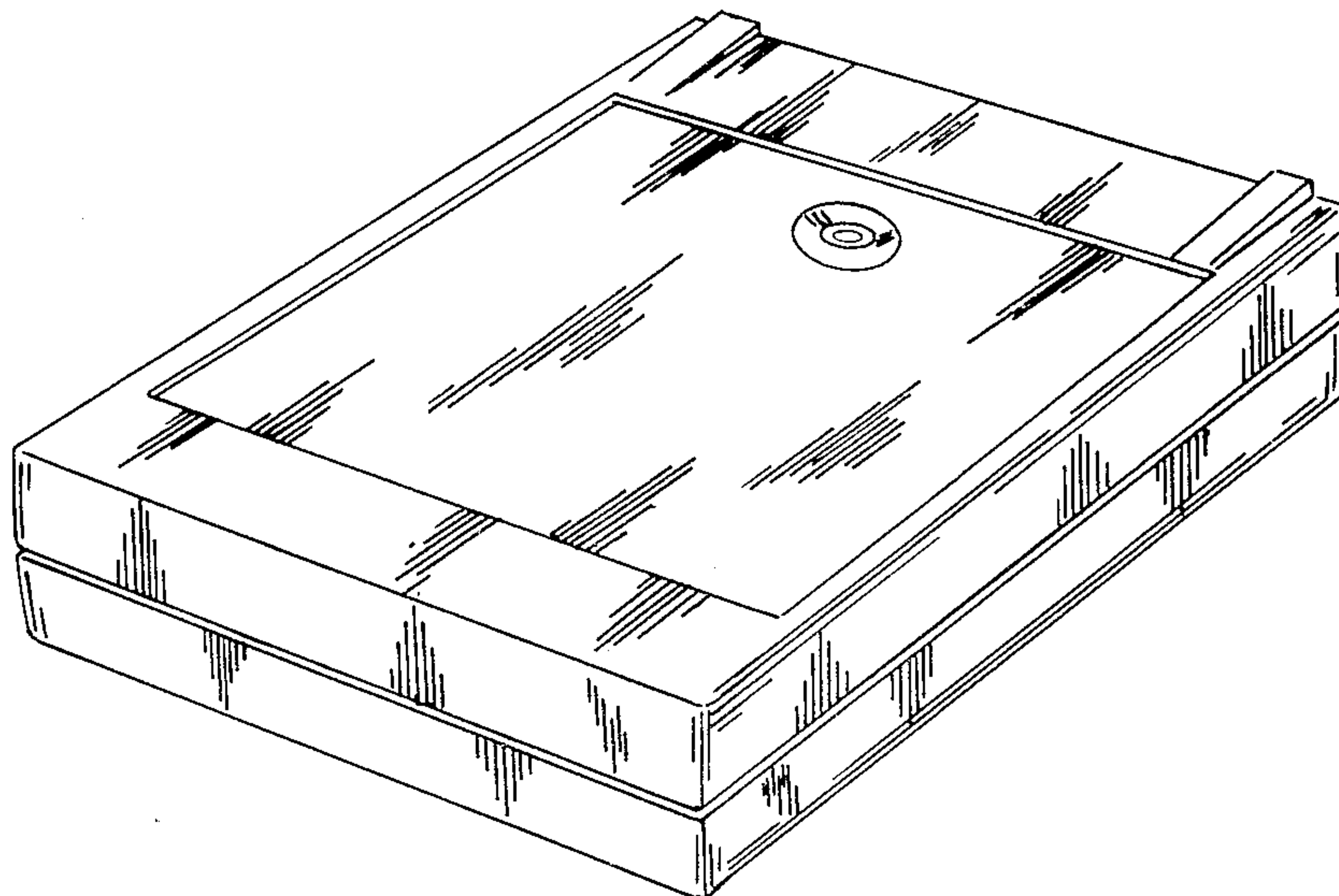


FIG. 1

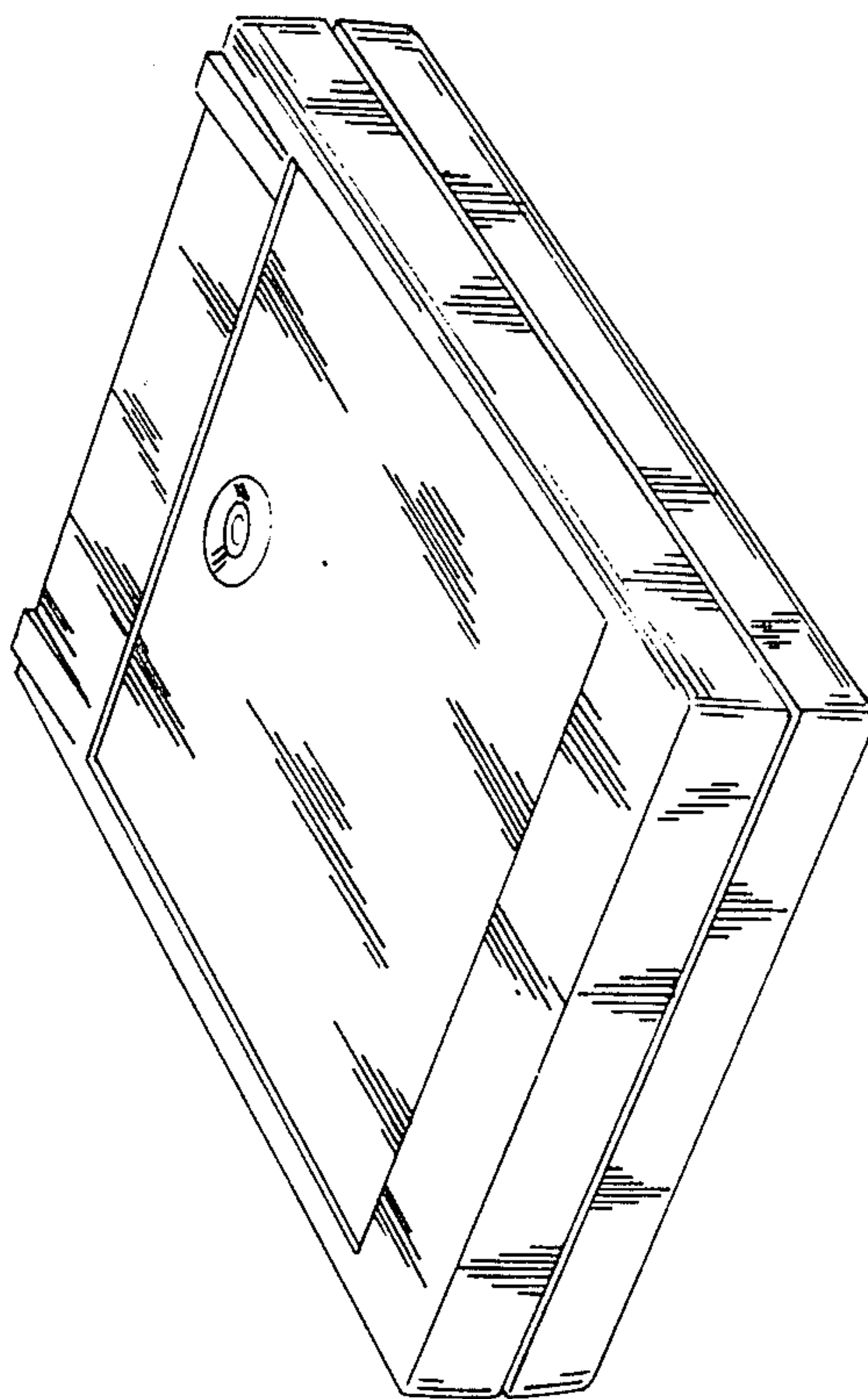


FIG. 2

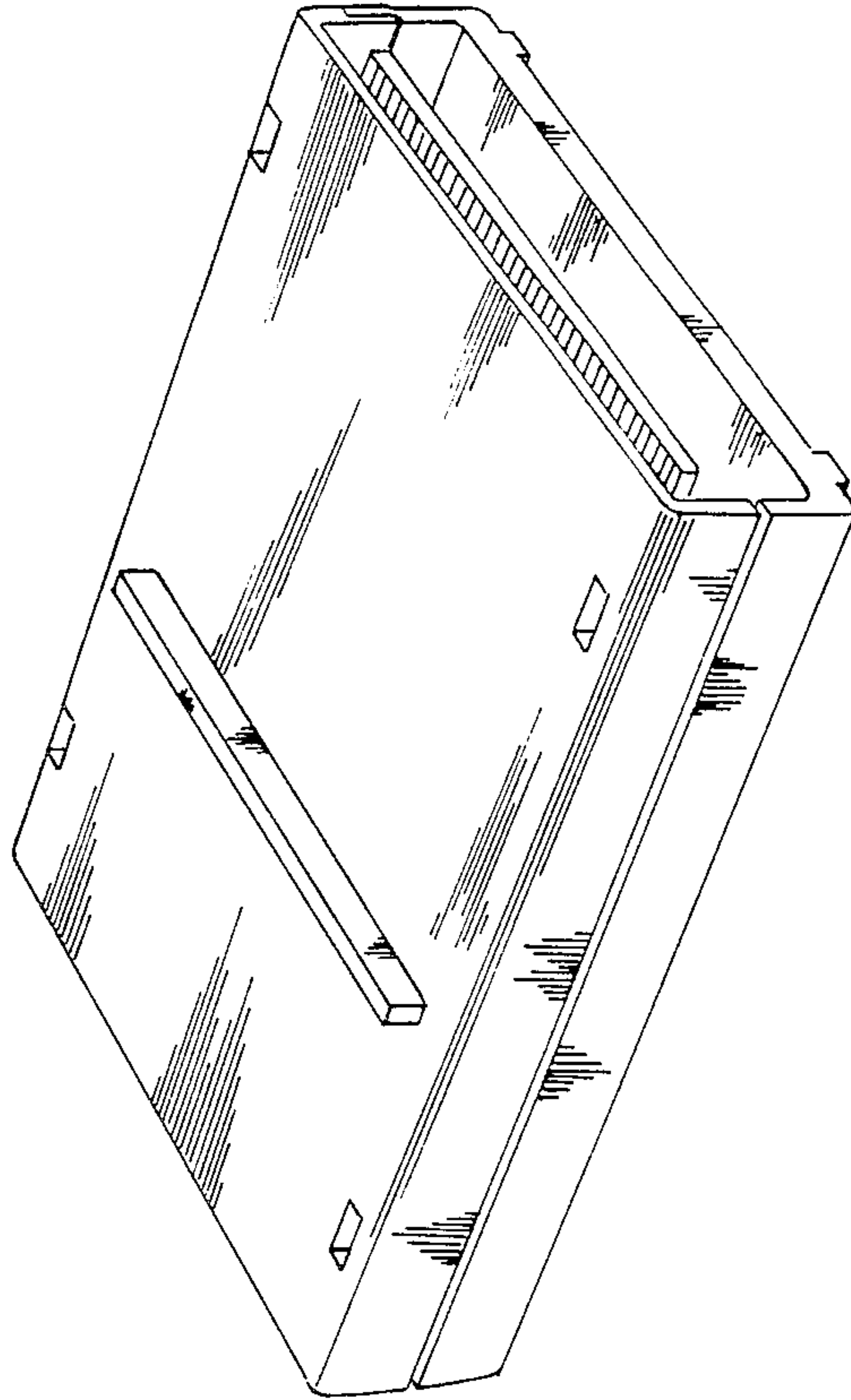


FIG. 3

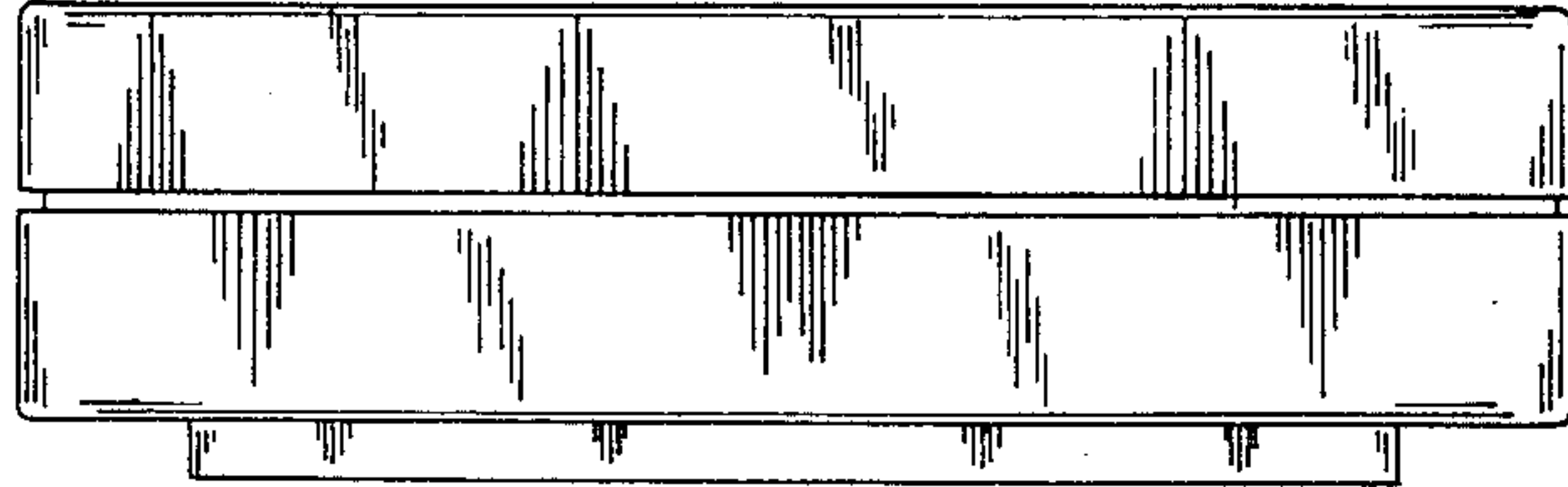


FIG. 4

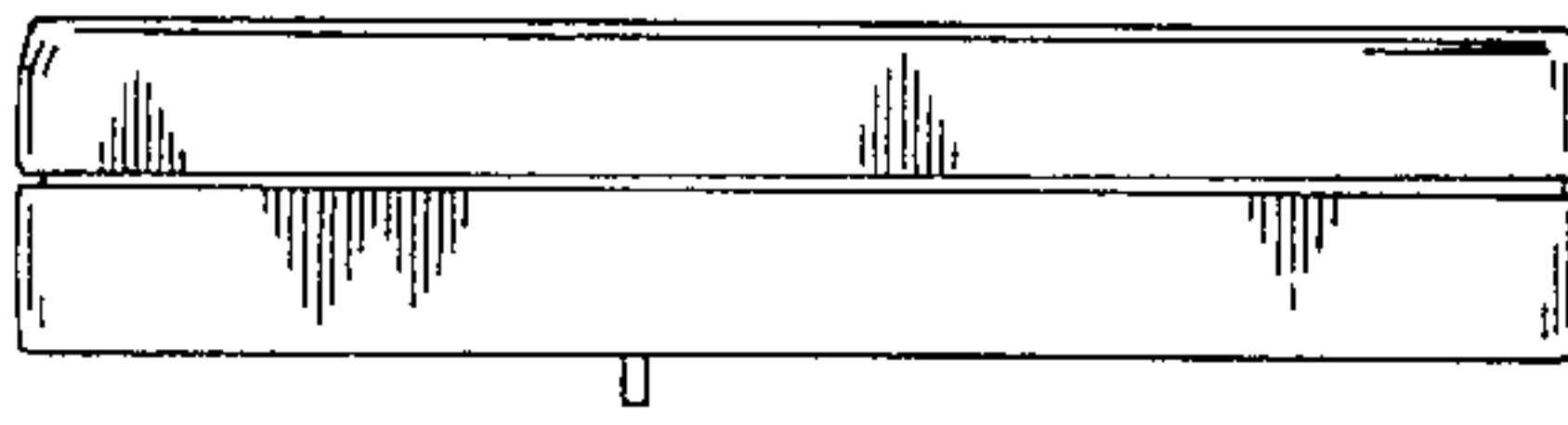


FIG. 5

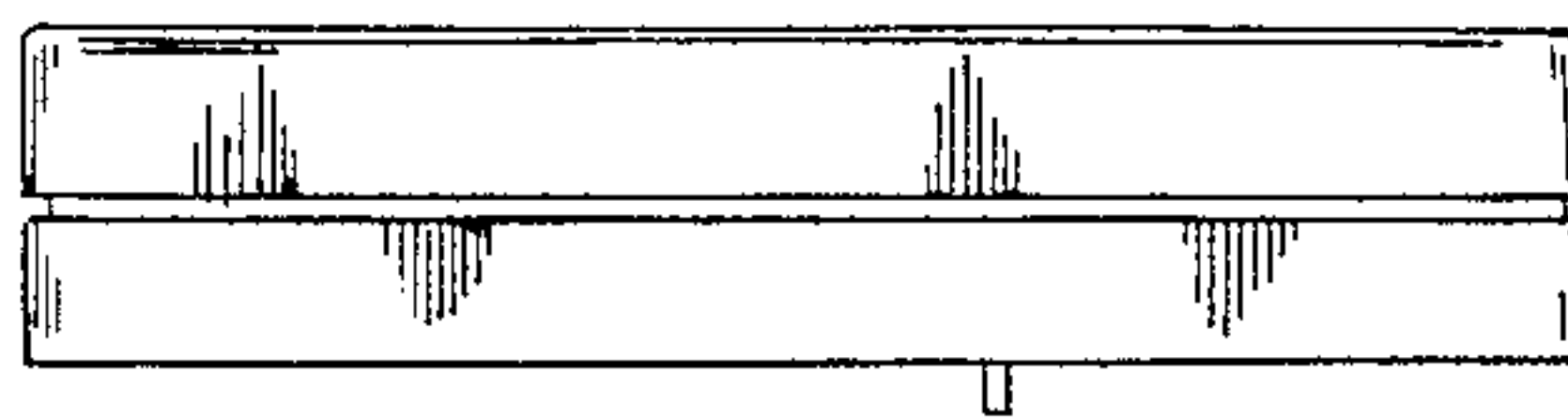


FIG. 6

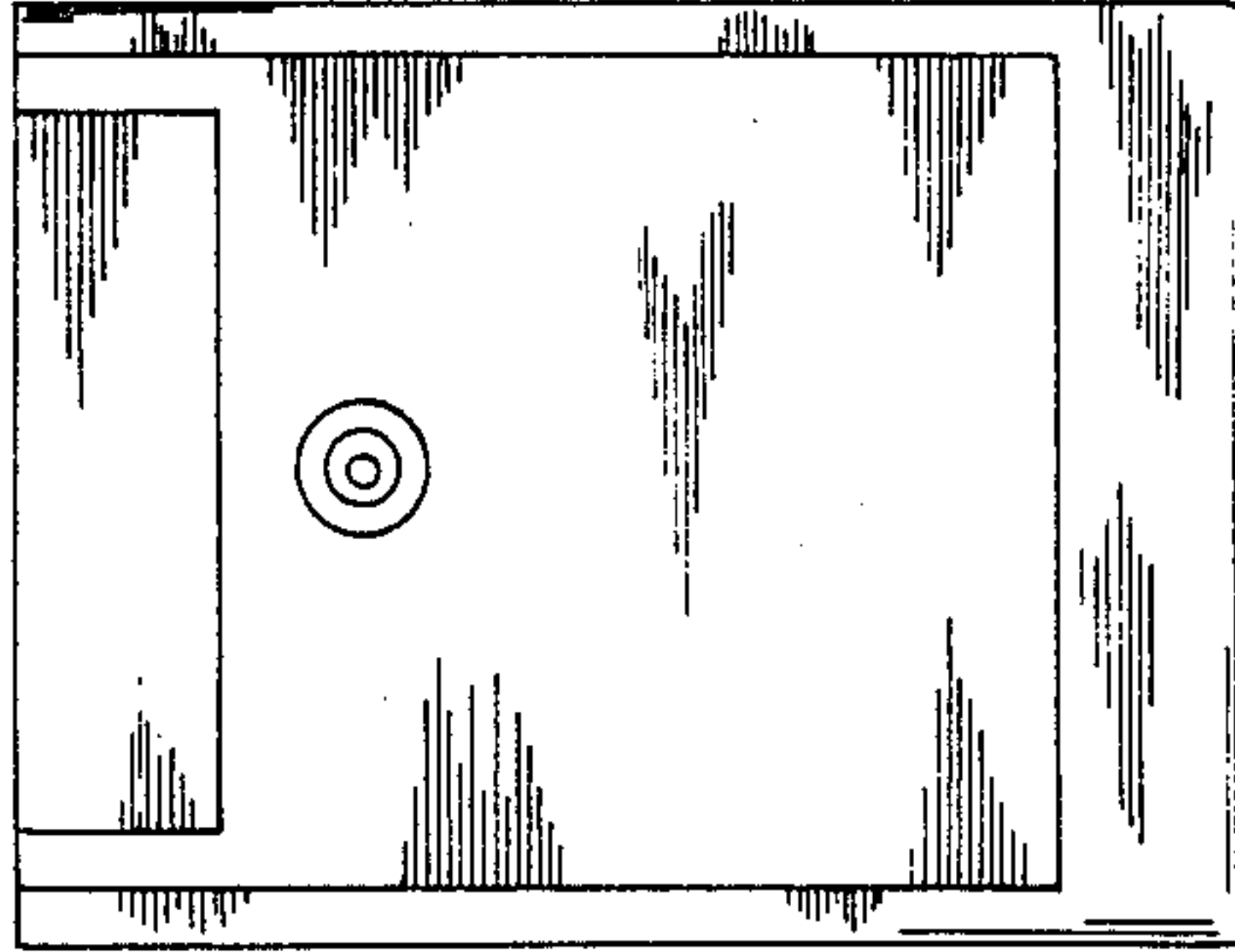


FIG. 7

