

[54] PRINTER

[75] Inventor: Ira L. Velinsky, Plainfield, N.J.

[73] Assignee: Commodore Business Machines Inc., West Chester, Pa.

[\*\*] Term: 14 Years

[21] Appl. No.: 481,871

[22] Filed: Apr. 4, 1983

[52] U.S. Cl. .... D14/111

[58] Field of Search ..... D14/111; D18/13, 22, D18/23; 400/691, 693

[56] References Cited

U.S. PATENT DOCUMENTS

D. 264,083 4/1982 Grae ..... D14/111

OTHER PUBLICATIONS

Computer Design, 2-1981, p. 216, Plessey Peripheral Systems, Serial Dot Matrix Printer Terminal. MI<sup>2</sup> Corp. Brochure, ©2-1978, p. 1, Design 2400 Matrix Printer.

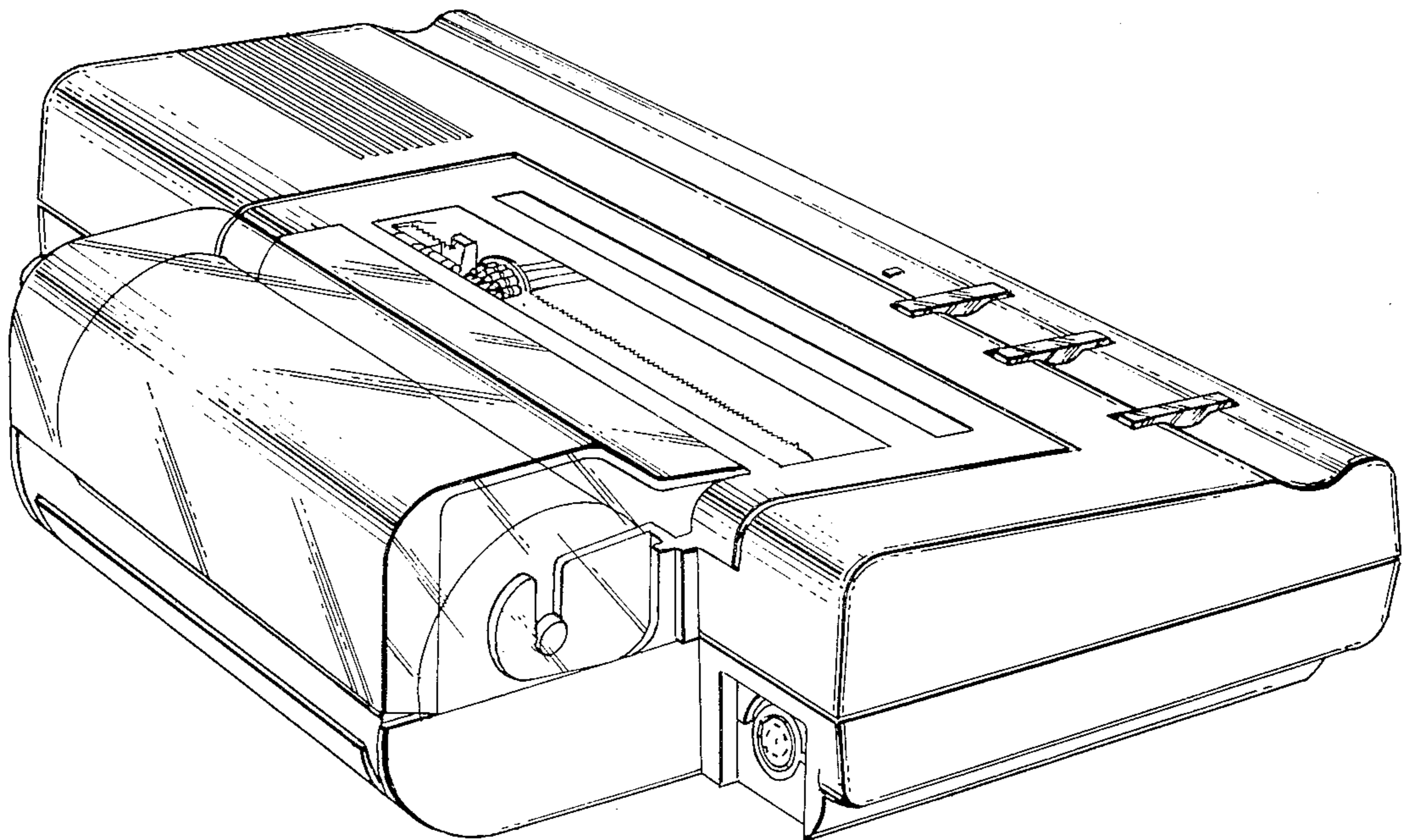
Primary Examiner—Susan J. Lucas  
Attorney, Agent, or Firm—John J. Simkanich

[57] CLAIM

The ornamental design for a printer, as shown and described.

DESCRIPTION

FIG. 1 is a perspective view of the printer showing my design;  
FIG. 2 is a top plan view thereof, the rear paper cover being in the open position;  
FIG. 3 is a front elevational view thereof;  
FIG. 4 is a rear elevational view thereof;  
FIG. 5 is a bottom plan view thereof;  
FIG. 6 is a right side elevational view thereof;  
FIG. 7 is a left side elevational view thereof.



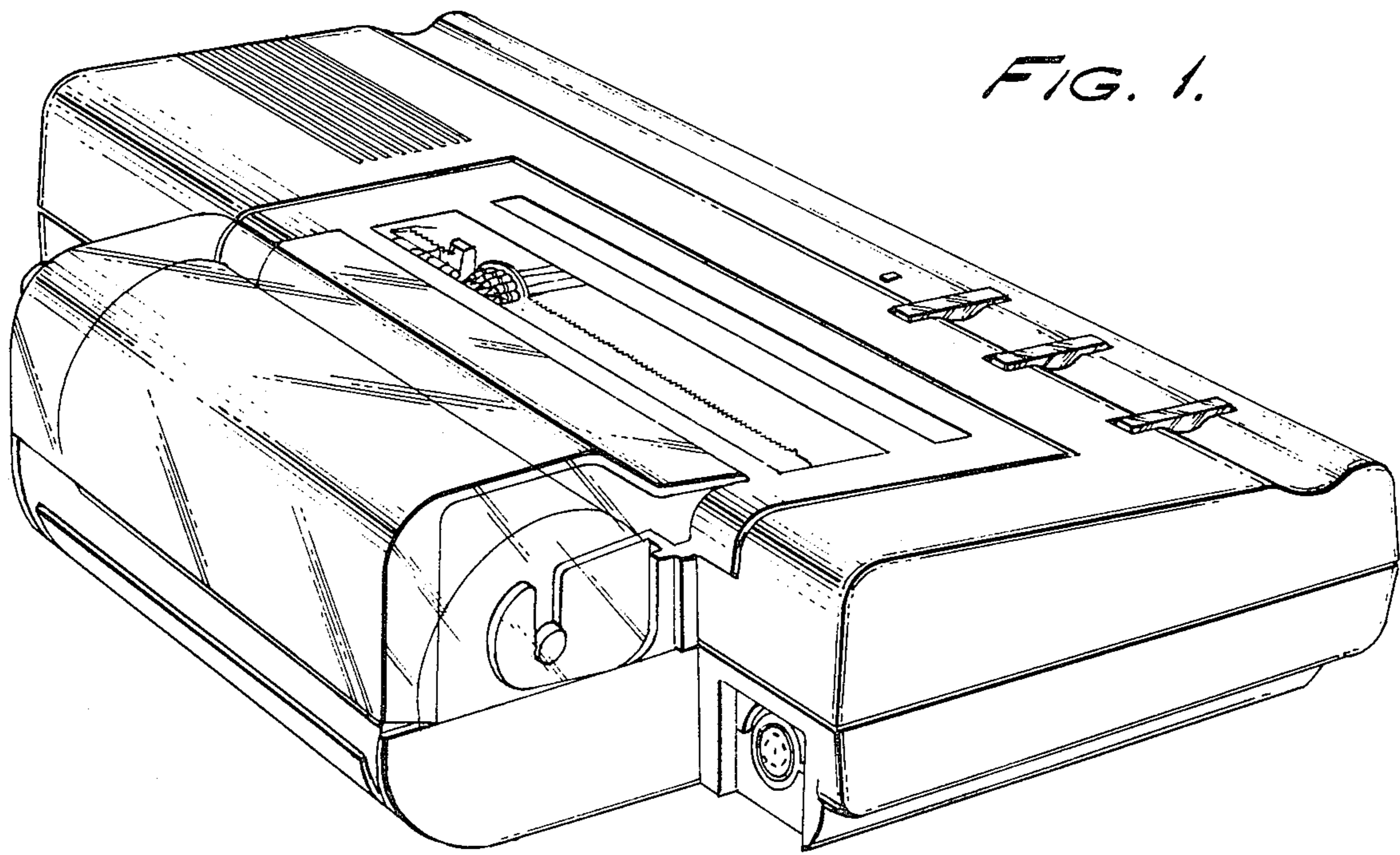


FIG. 6.

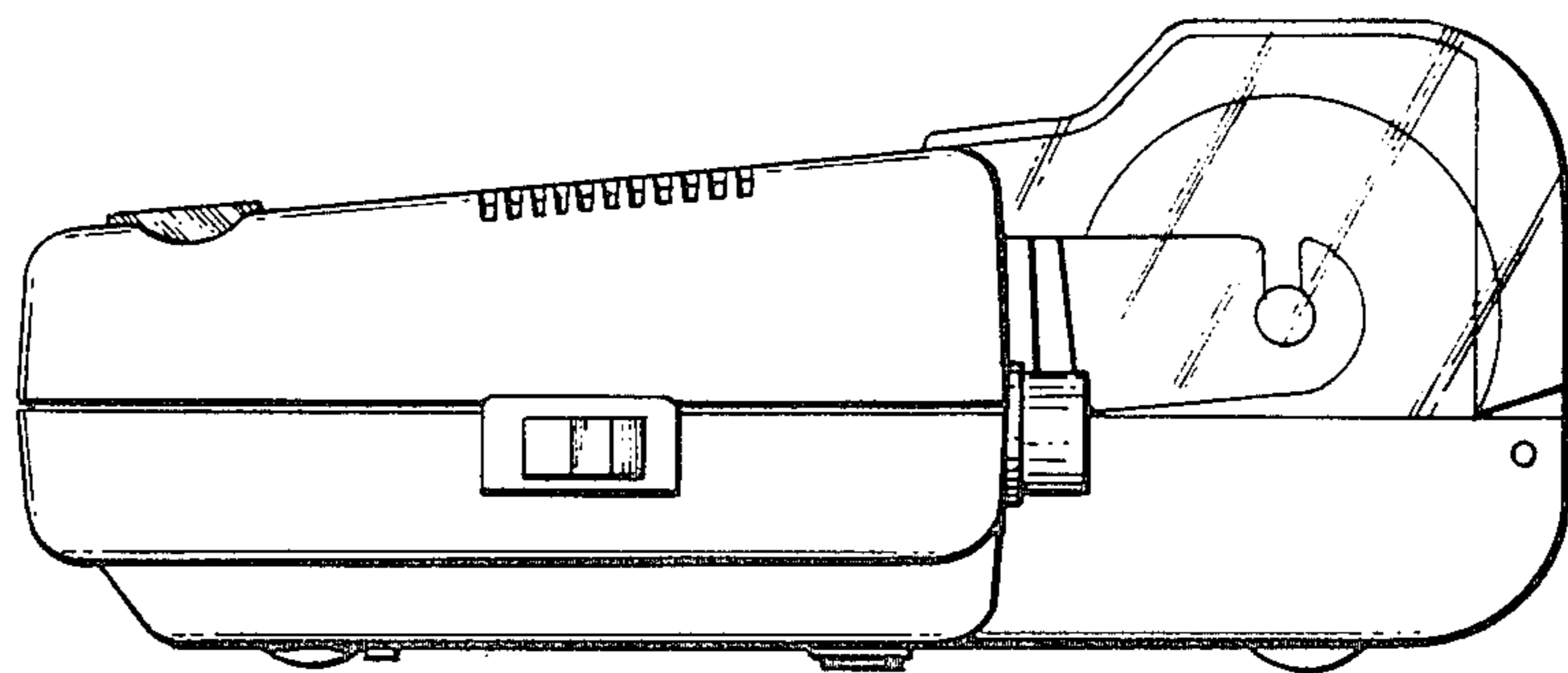


FIG. 7.

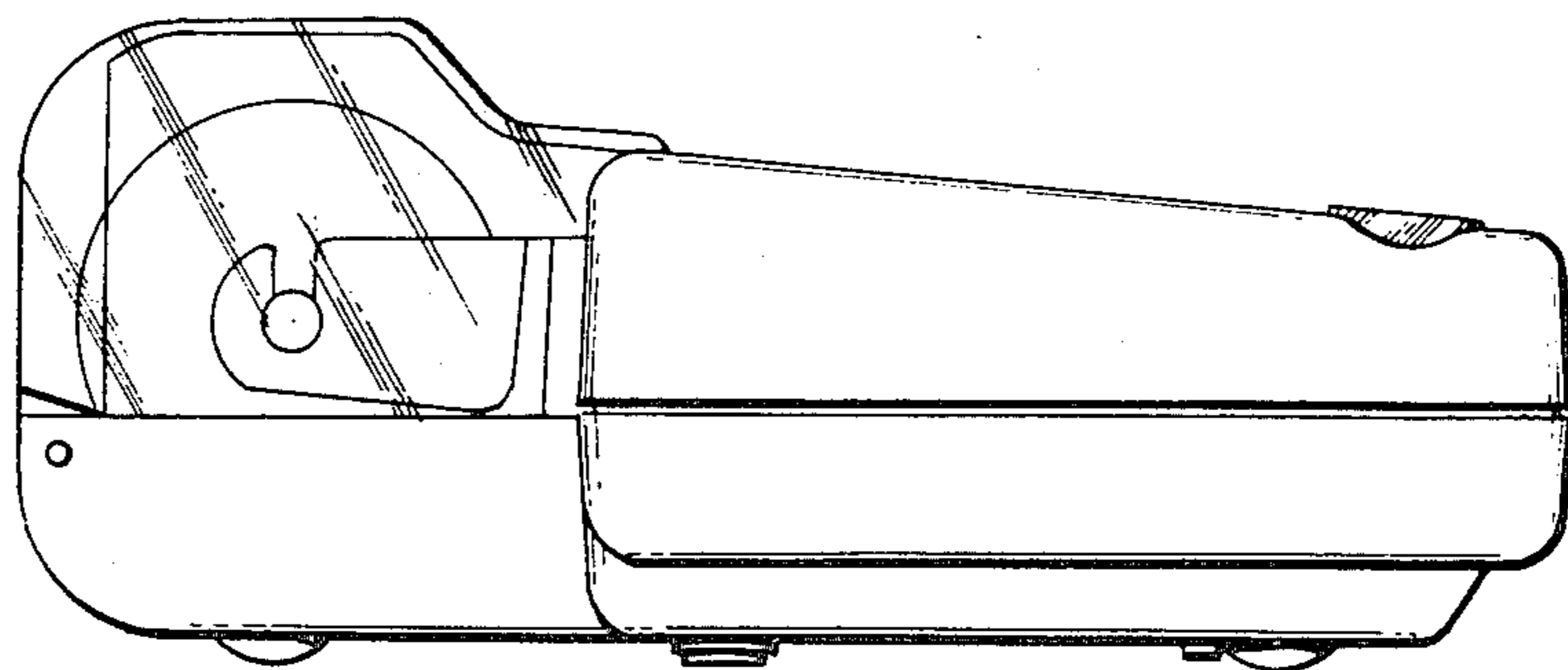


FIG. 2.

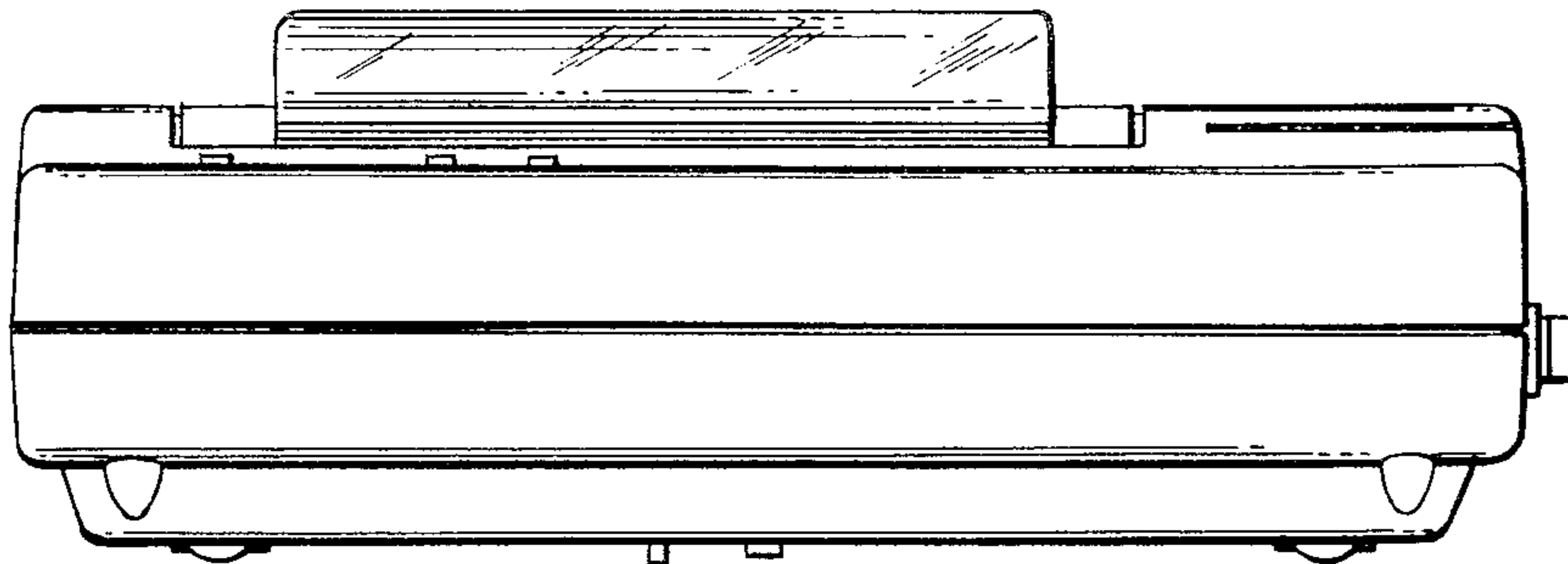
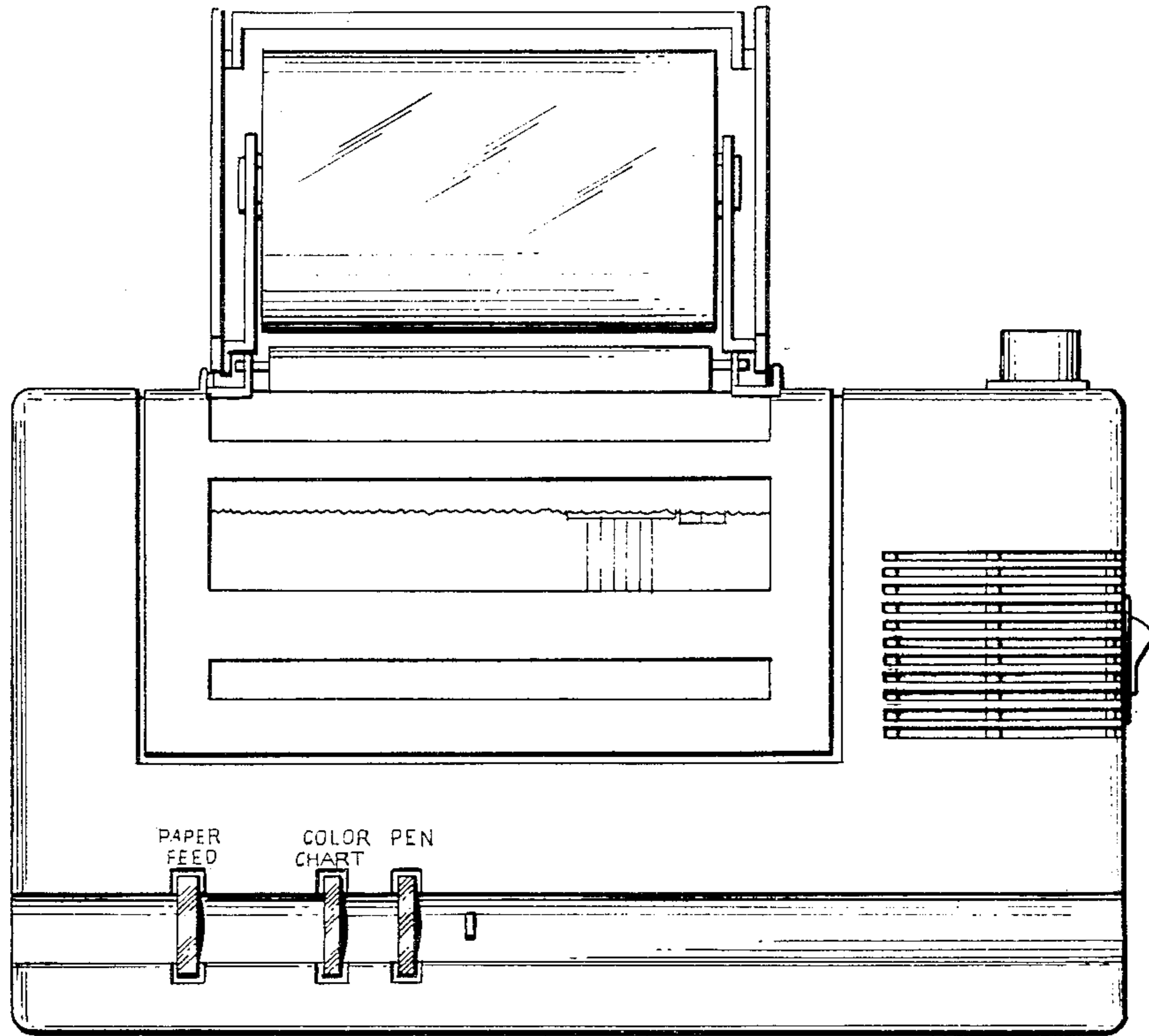


FIG. 3.

FIG. 4.

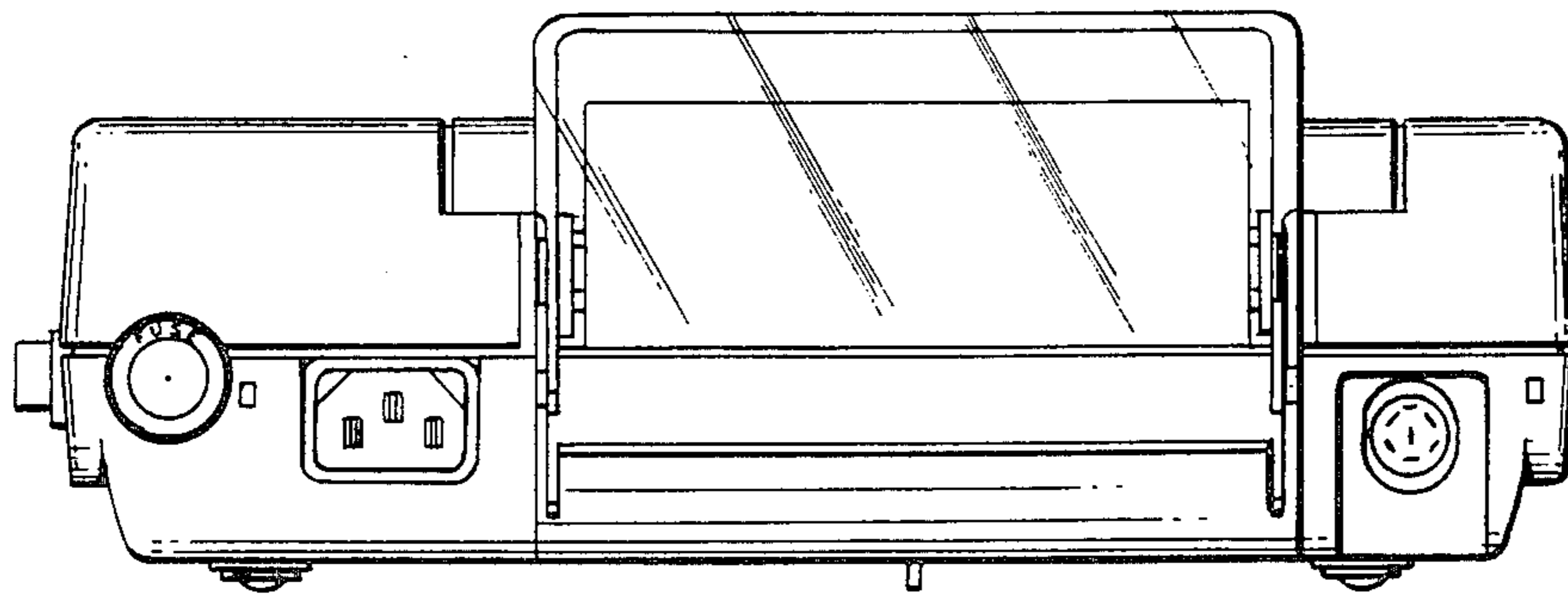


FIG. 5.

