

[54] PUSH BUTTON

[75] Inventor: Hiroshi Inaba, Yokohama, Japan

[73] Assignee: Nippon Tsushin Kogyo Kabushiki Kaisha, Kanagawa, Japan

[\*\*] Term: 14 Years

[21] Appl. No.: 490,216

[22] Filed: Apr. 29, 1983

[30] Foreign Application Priority Data

Dec. 24, 1982 [JP] Japan ..... 57-57465

[52] U.S. Cl. .... D14/59; 200/340

[58] Field of Search ..... D14/59; D13/38; 200/328, 329; 116/172; 179/90 K, 179

[56] References Cited

U.S. PATENT DOCUMENTS

D. 212,093	8/1968	De Smidt	.....	D13/38
D. 215,548	10/1969	Baumanis	.....	D13/38
D. 219,382	12/1970	Bloha et al.	.....	D13/38
D. 237,803	11/1975	Klaiber et al.	.....	D14/59
D. 268,928	5/1983	Ohashi et al.	.....	D13/38
3,305,677	2/1967	Bou	.....	116/279
3,691,985	9/1972	Otterlei	.....	116/279
3,996,428	12/1976	Buan et al.	.....	116/279
4,242,545	12/1980	Schweitzer	.....	200/328
4,268,368	1/1983	Russenberger	.....	200/328

4,273,980	6/1981	Rogero	.....	200/328
4,291,201	9/1981	Johnson et al.	.....	179/90 K
4,328,399	5/1982	Perks et al.	.....	179/90 K
4,386,240	5/1983	Philip et al.	.....	179/90 K
4,404,436	9/1983	Ohba	.....	200/328
4,408,109	10/1983	Nat	.....	200/328

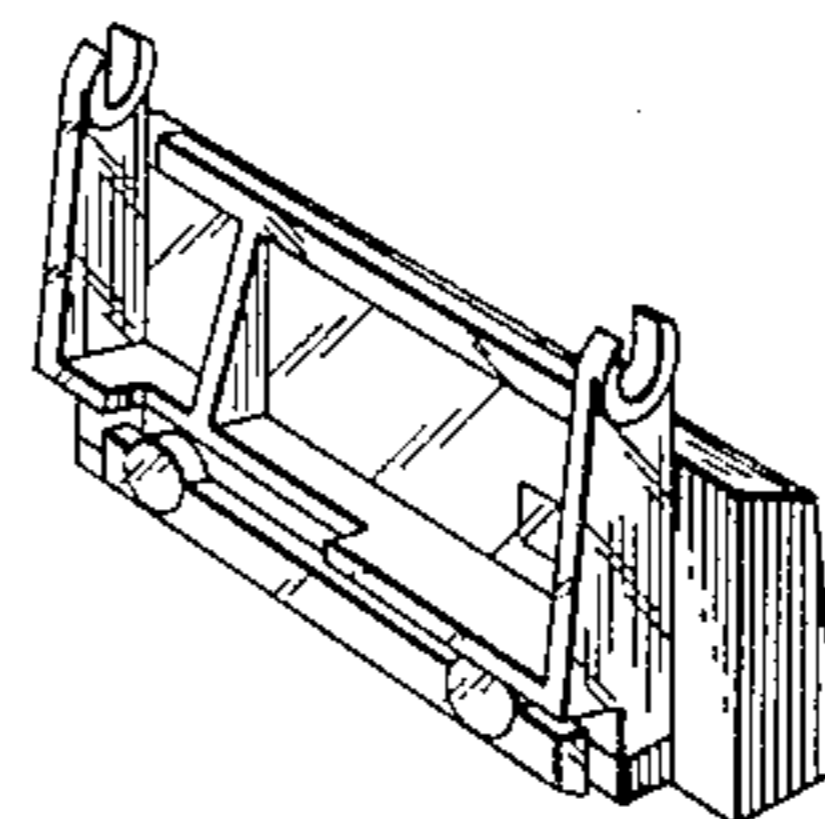
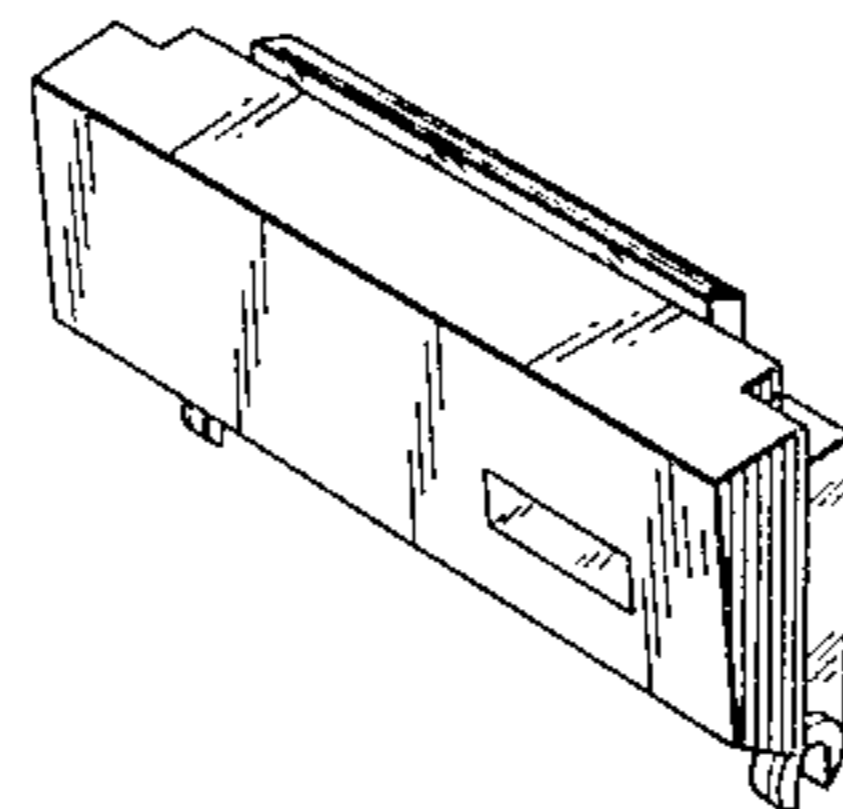
Primary Examiner—Wallace R. Burke  
Assistant Examiner—Horace B. Fay  
Attorney, Agent, or Firm—Burns, Doane, Swecker & Mathis

[57] CLAIM

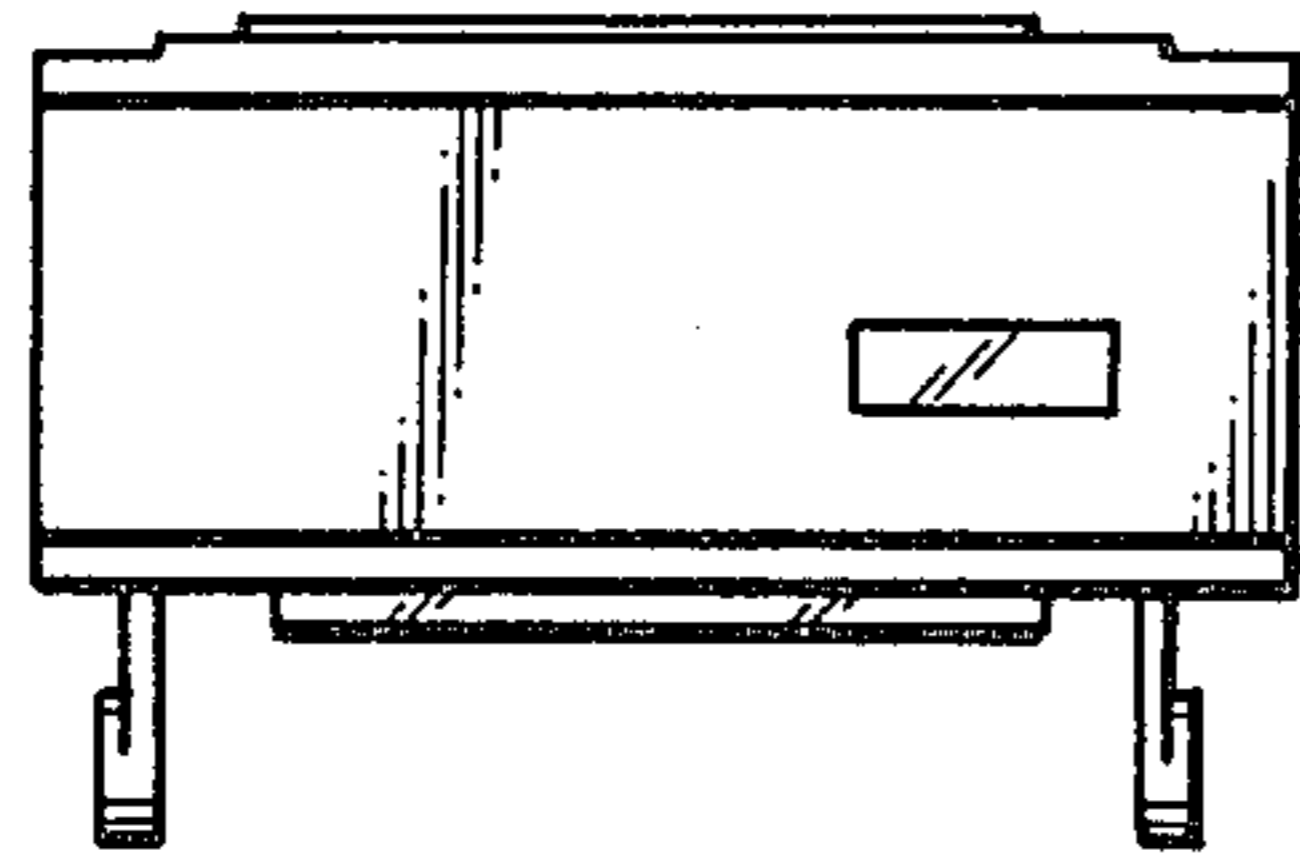
The ornamental design of a push button, substantially as shown and described.

DESCRIPTION

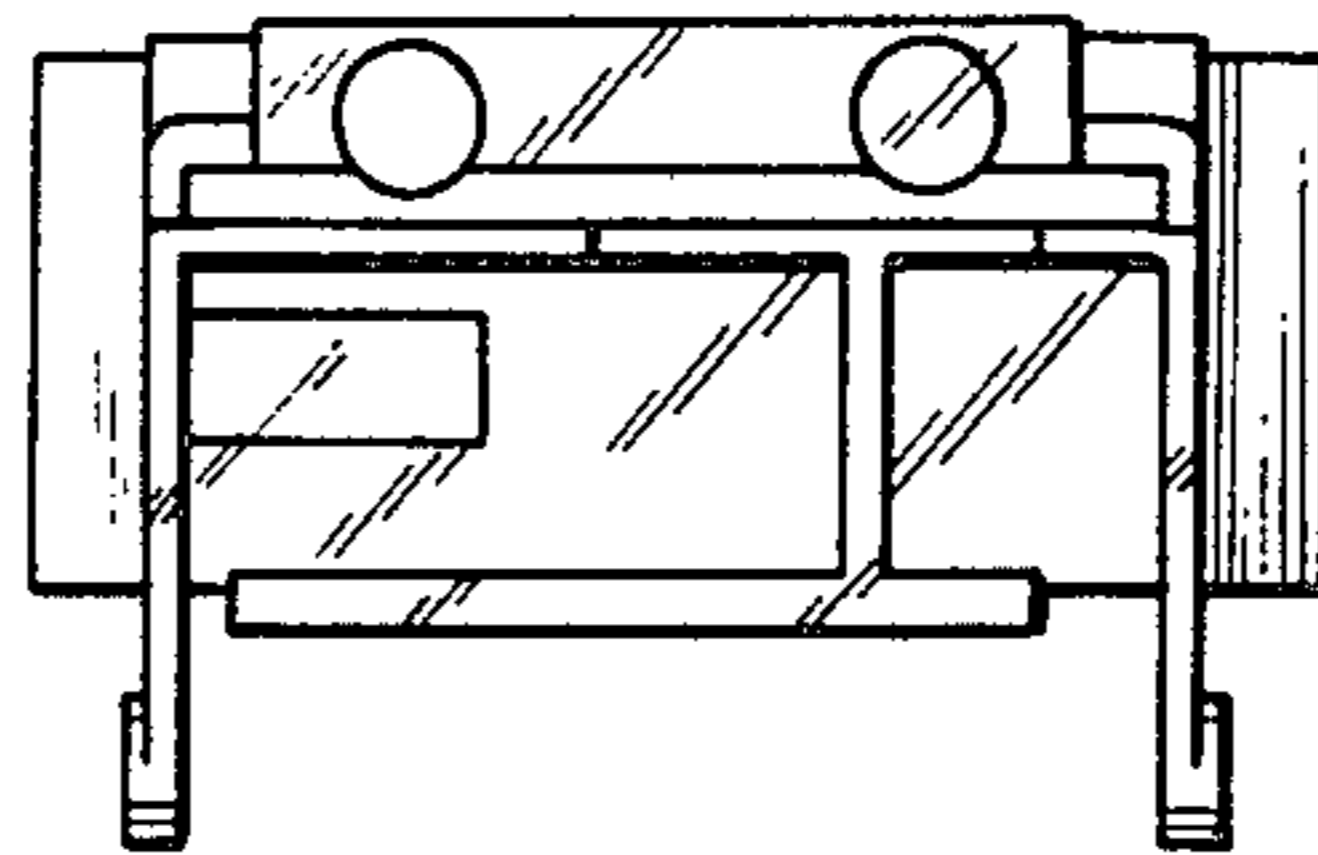
FIG. 1 is a top plan view of a push button showing my new design;  
FIG. 2 is a bottom plan view thereof;  
FIG. 3 is a front elevational view thereof;  
FIG. 4 is a rear elevational view thereof;  
FIG. 5 is a side elevational view thereof showing one side;  
FIG. 6 is a side elevational view thereof showing an opposite side;  
FIG. 7 is a perspective view thereof showing the top, front, and one side; and  
FIG. 8 is a perspective view thereof showing the bottom rear, and an opposite side.



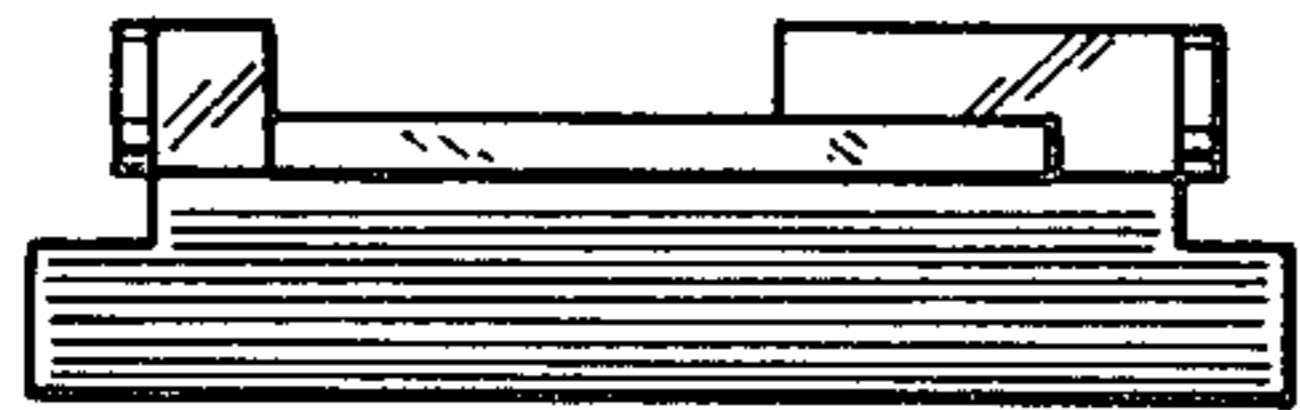
*Fig. 1*



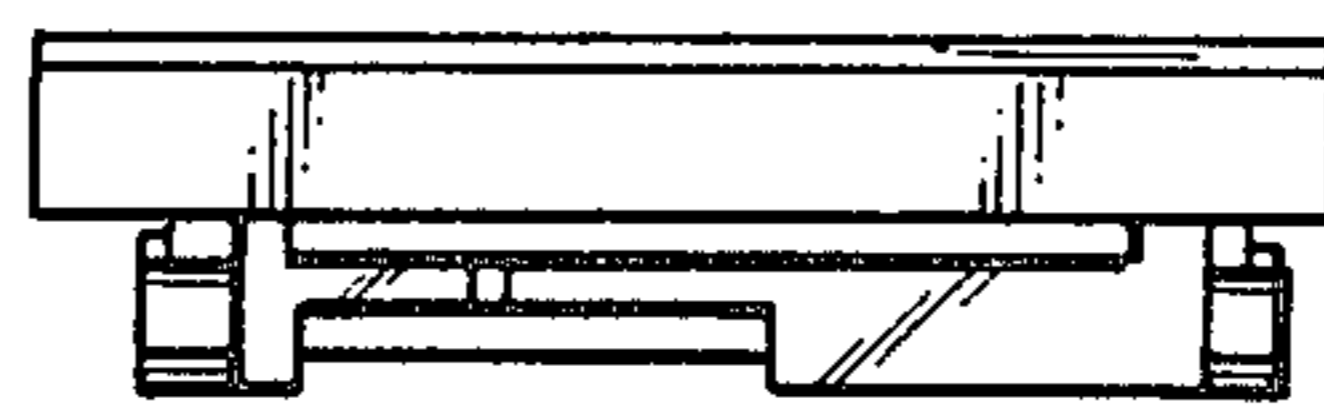
*Fig. 2*



*Fig. 3*



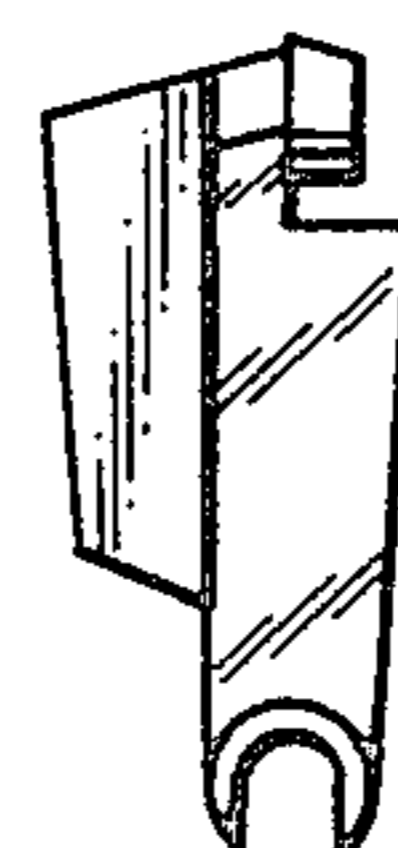
*Fig. 4*



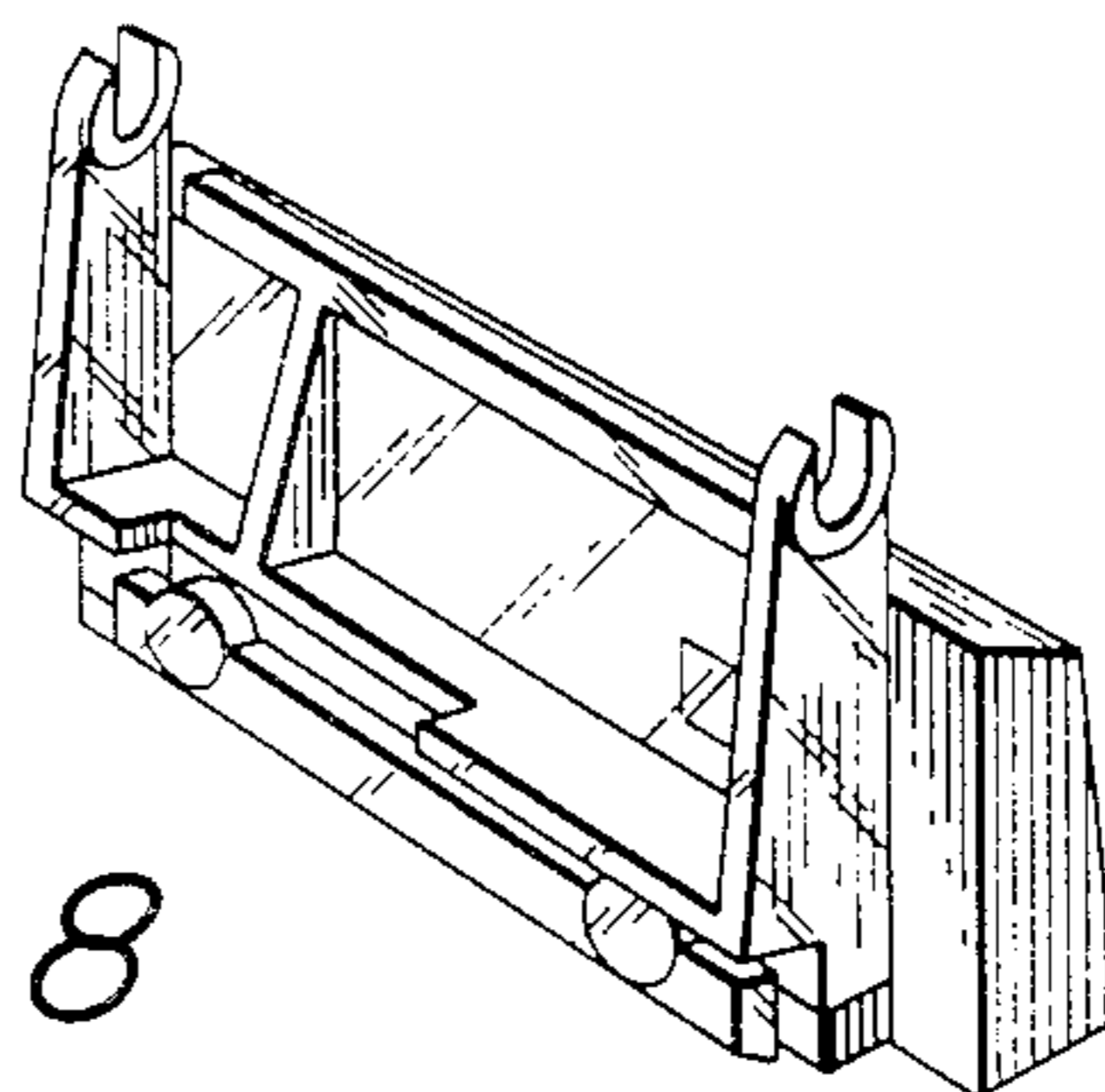
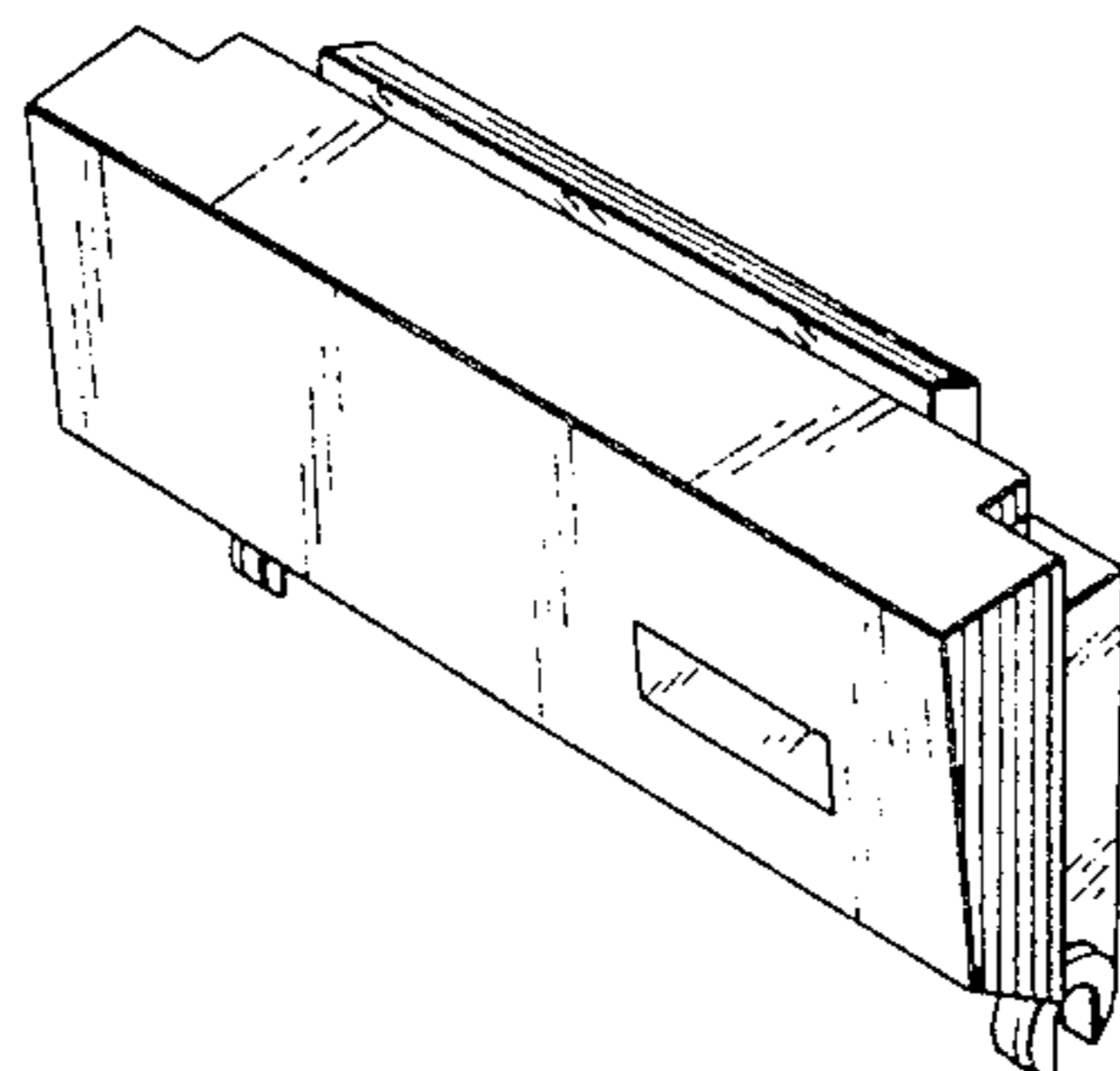
*Fig. 5*



*Fig. 6*



*Fig. 7*



*Fig. 8*