

[54] ADAPTER FOR MOUNTING LOUDSPEAKERS

[76] Inventor: Pasco C. Ponticelli, 7455 Owensmouth Ave., Canoga Park, Calif. 91303

[**] Term: 14 Years

[21] Appl. No.: 521,087

[22] Filed: Aug. 8, 1983

[52] U.S. Cl. D14/37; D14/38

[58] Field of Search D14/30, 32-34, D14/37, 38; 179/146 E; 181/141, 150

[56] References Cited

U.S. PATENT DOCUMENTS

- D. 264,336 5/1982 Nicholson et al. D14/30
- 3,509,290 4/1970 Mochida et al. D14/30

4,143,249 3/1979 Cinquino D14/37

Primary Examiner—Jane E. Corrigan
Attorney, Agent, or Firm—Edward A. Sokolski

[57] CLAIM

The ornamental design for an adapter for mounting loudspeakers, as shown.

DESCRIPTION

FIG. 1 is a front, top and left side perspective view of an adapter for mounting loudspeakers showing my new design;

FIG. 2 is a rear, bottom and left side perspective view thereof;

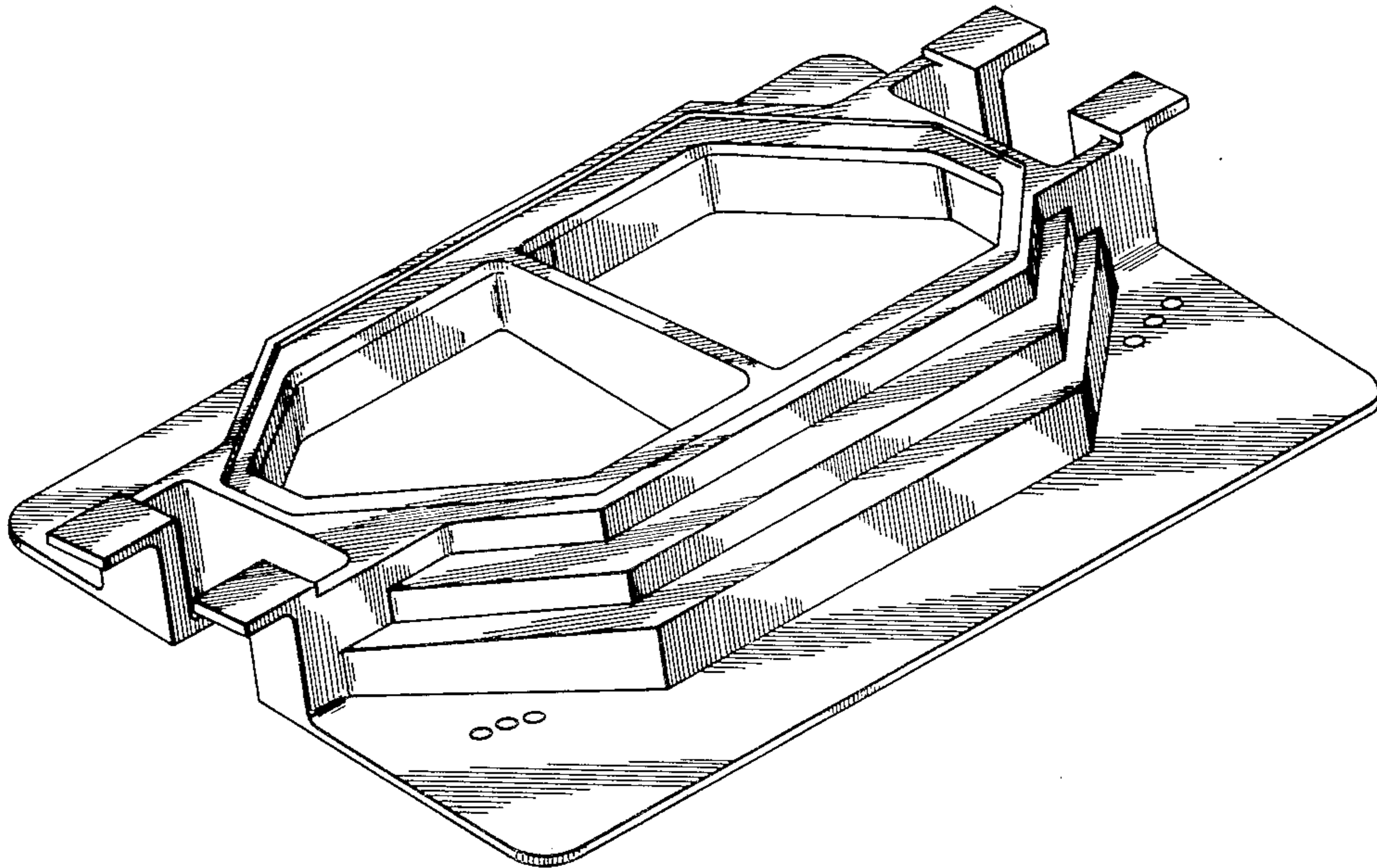
FIG. 3 is a top plan view thereof;

FIG. 4 is a right side elevational view thereof;

FIG. 5 is a front elevational view thereof;

FIG. 6 is a rear elevational view thereof; and

FIG. 7 is a bottom plan view thereof.



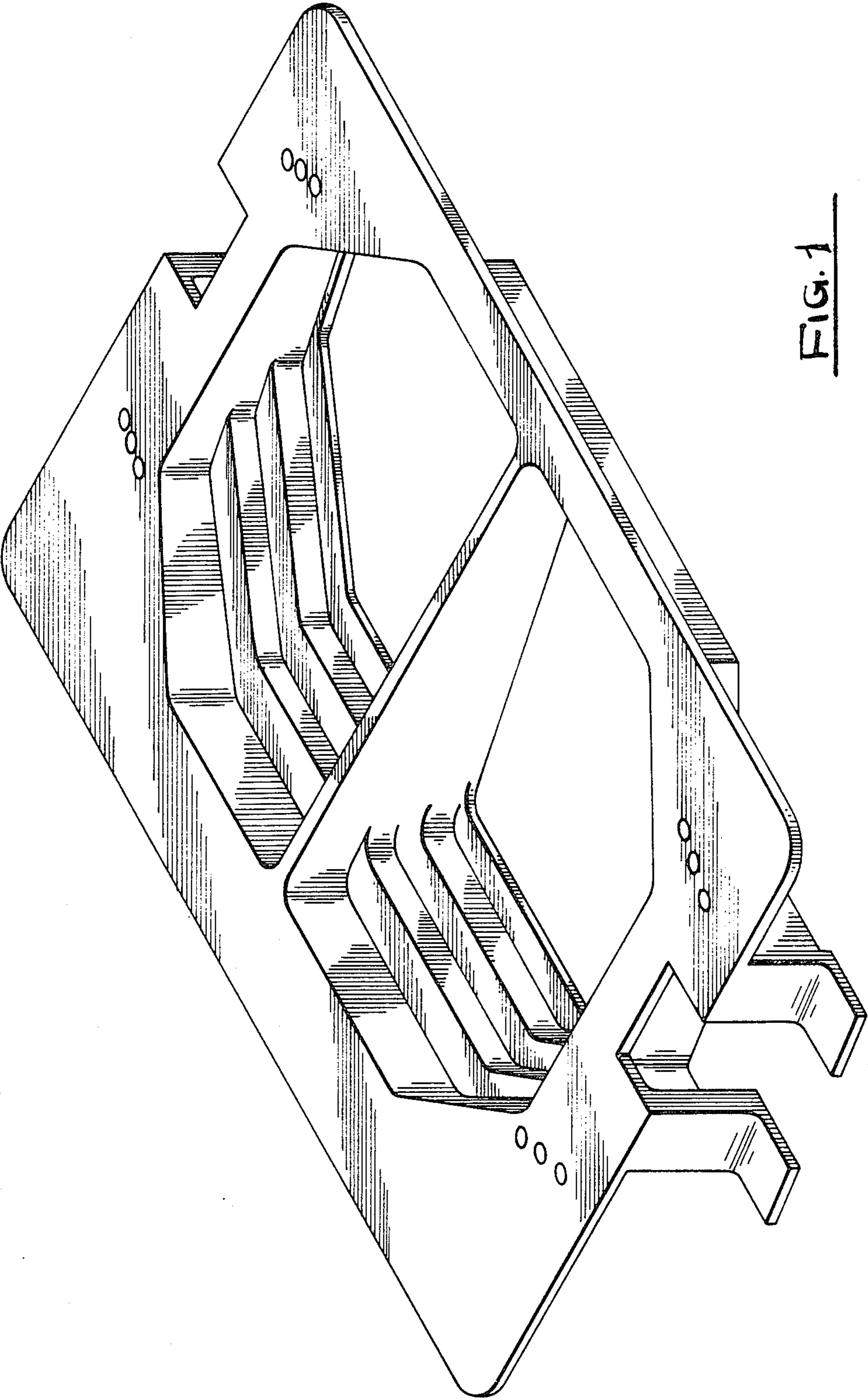


FIG. 1

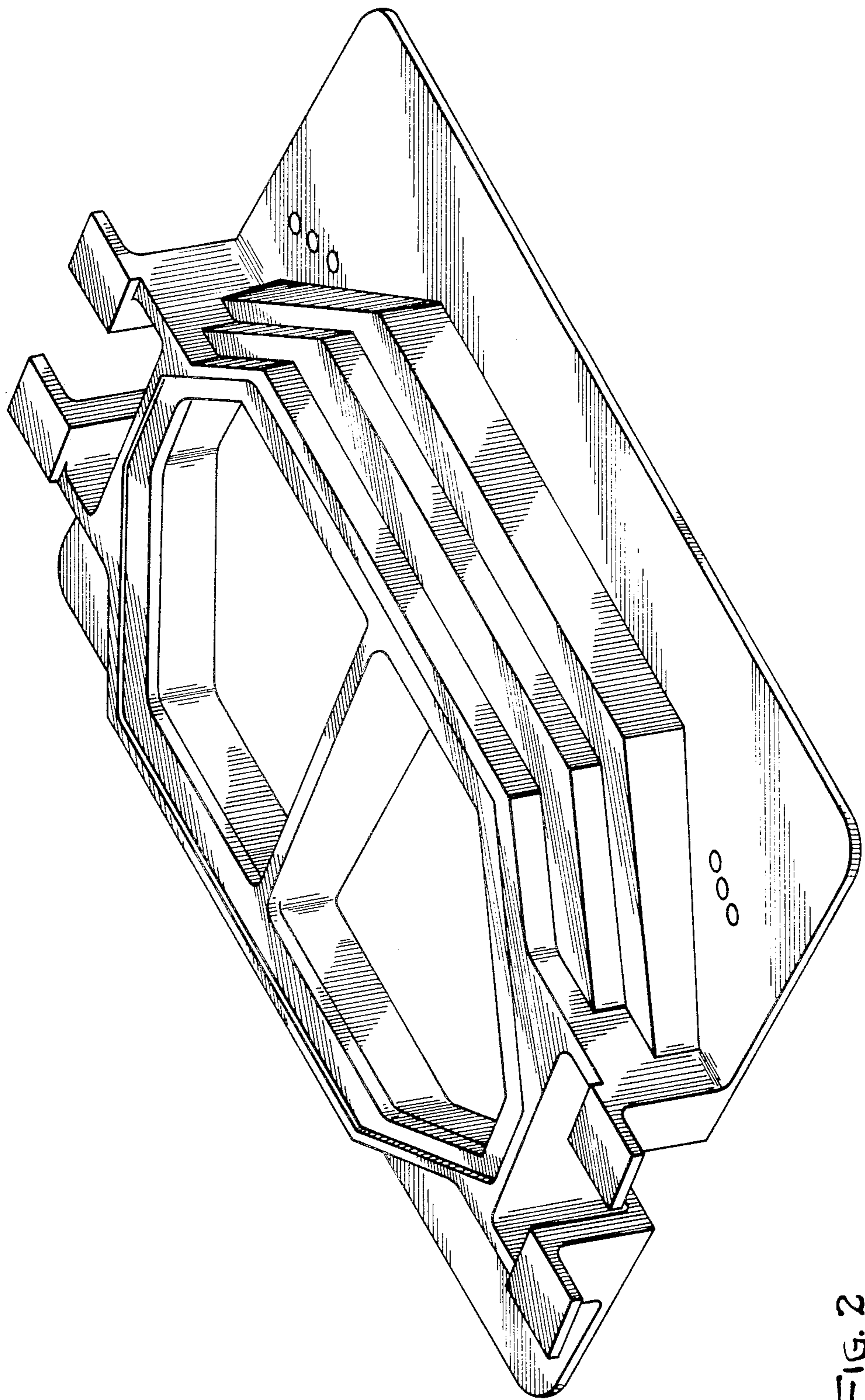


FIG. 2

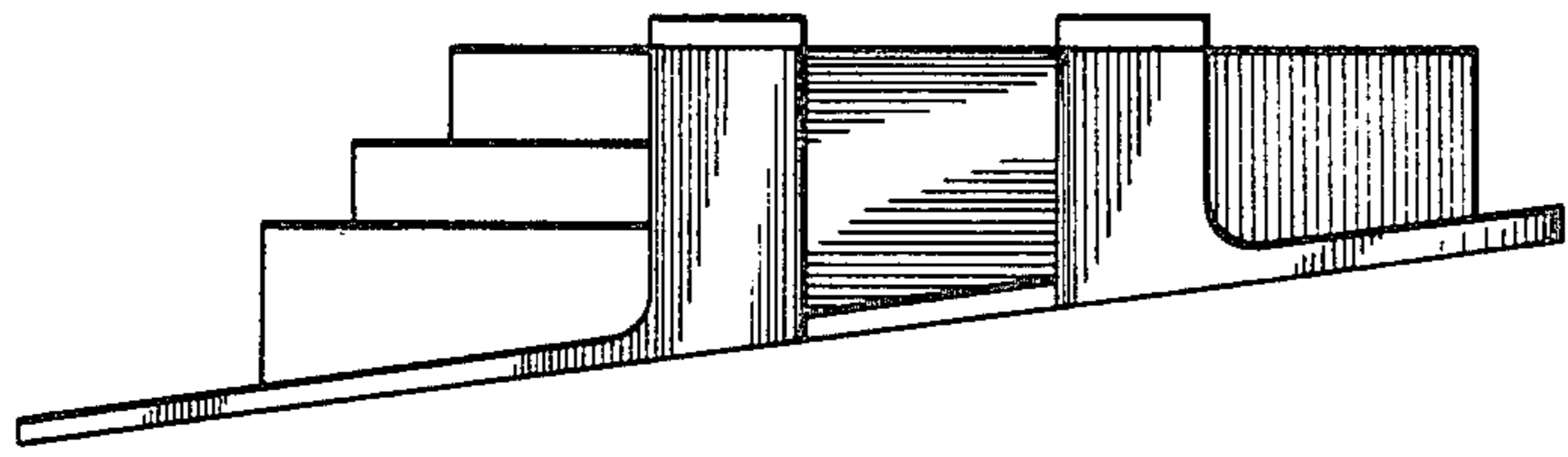


FIG. 4

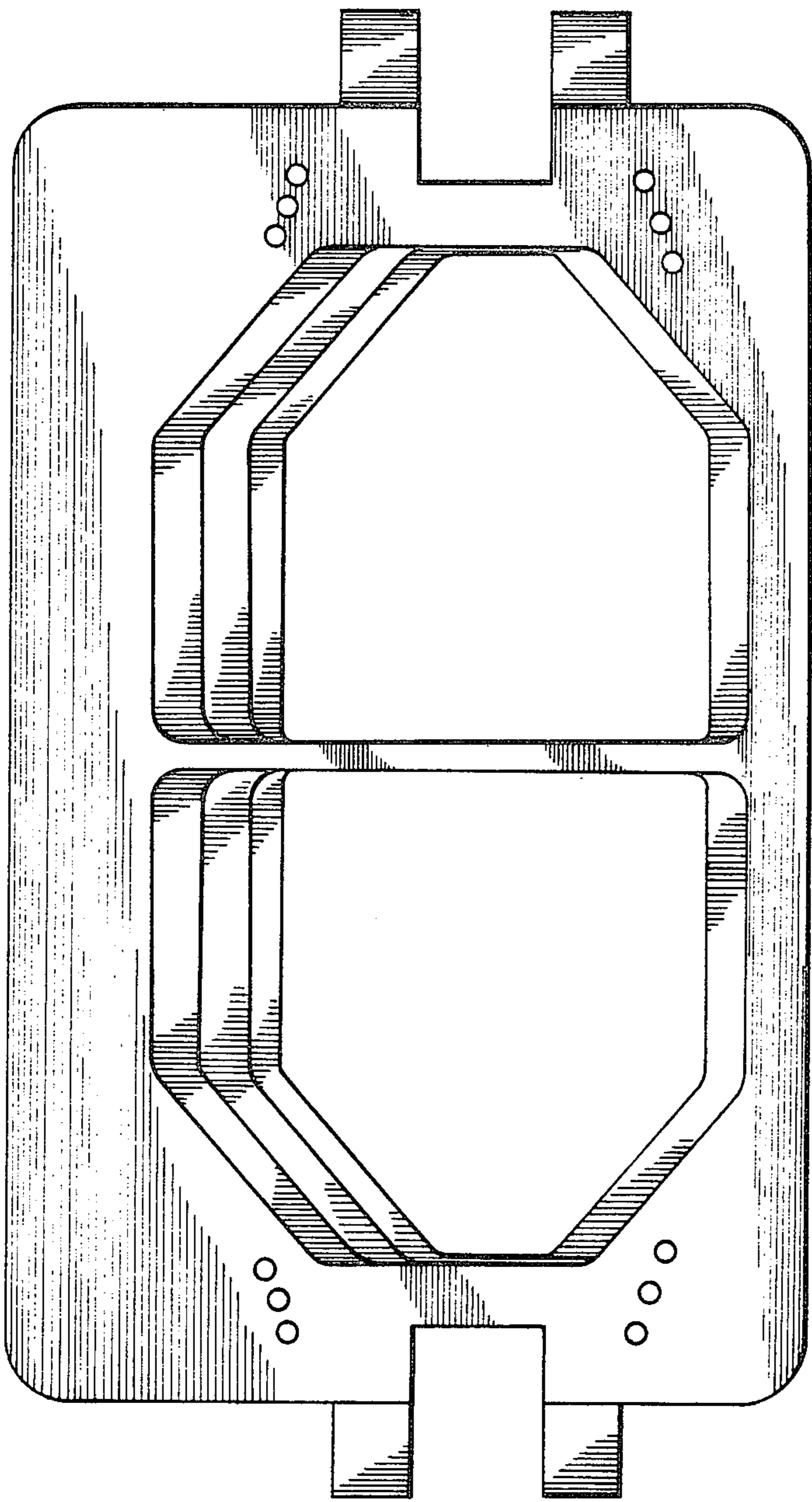


FIG. 3

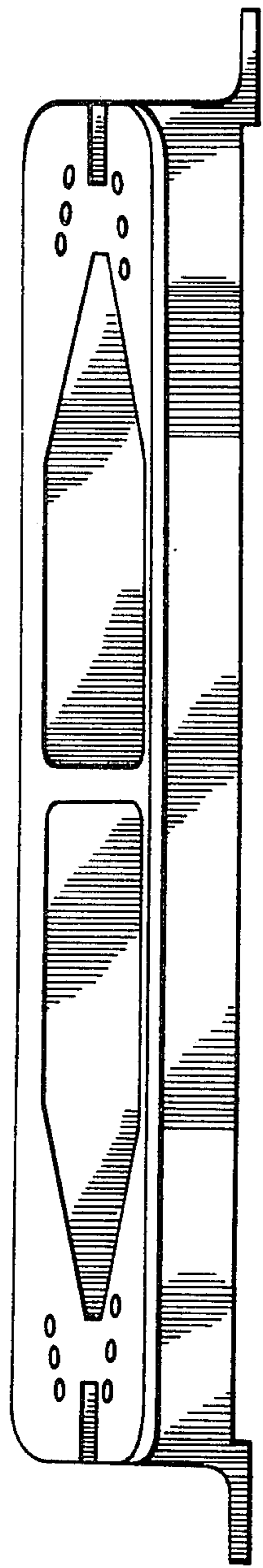


FIG. 5

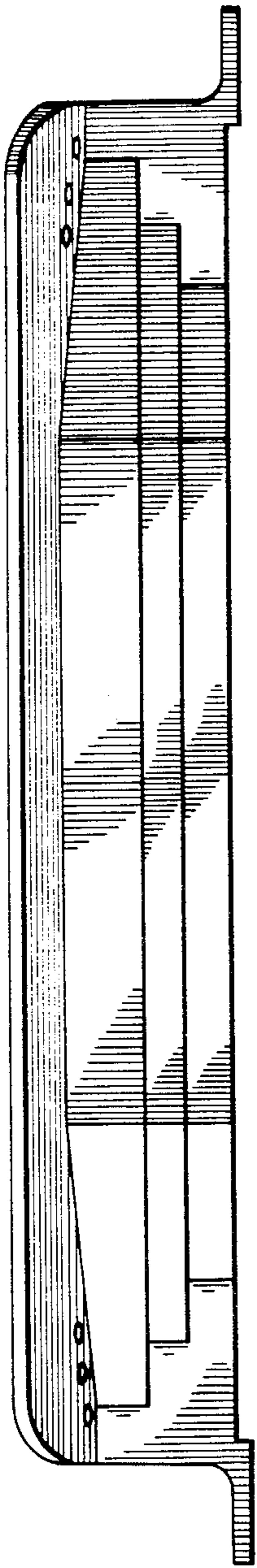


FIG. 6

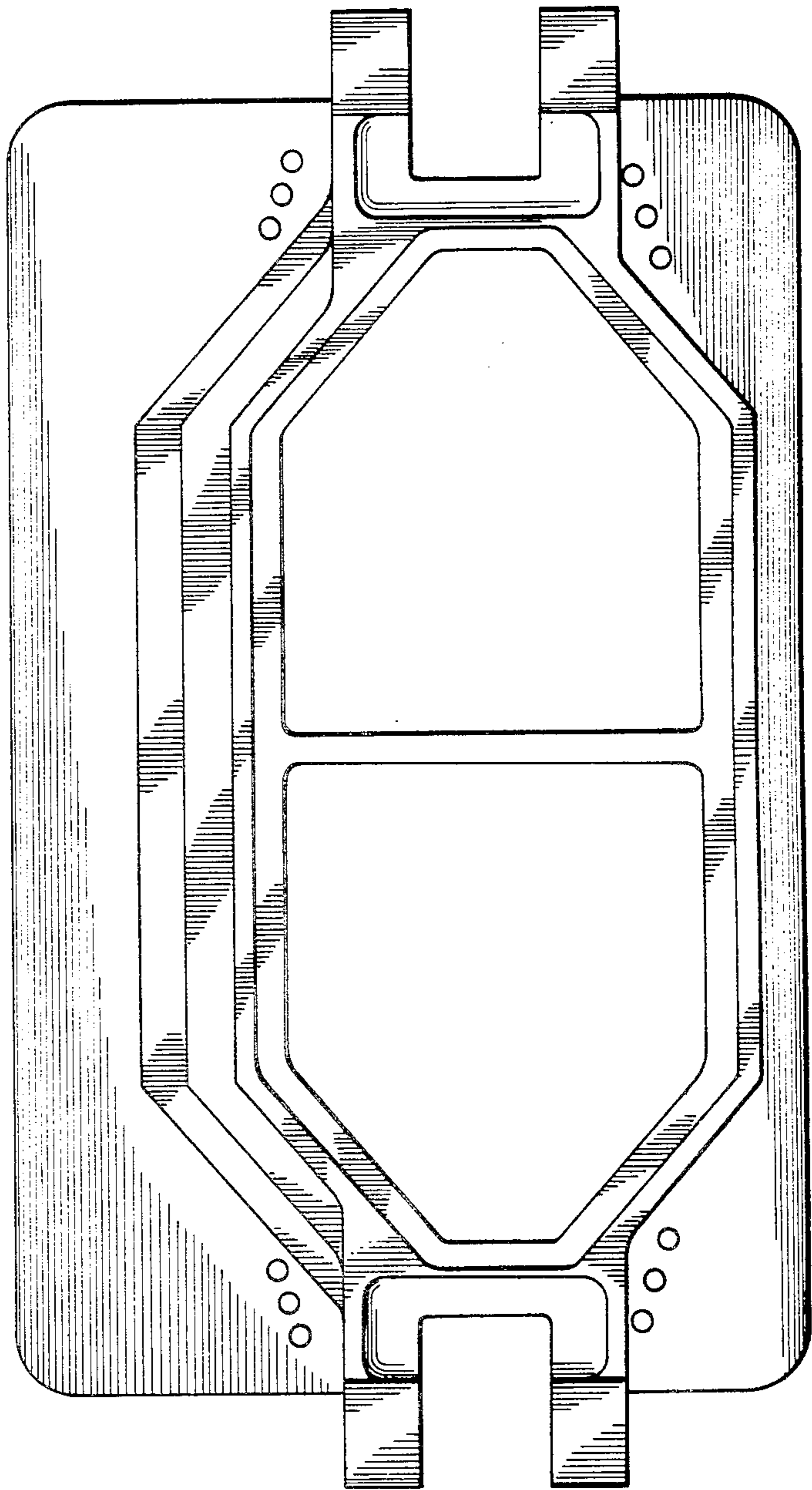


FIG. 7