

[54] ENGINE GENERATOR

[75] Inventor: Tadahiro Yaguchi, Niiza, Japan

[73] Assignee: Honda Giken Kogyo Kabushiki Kaisha, Tokyo, Japan

[**] Term: 14 Years

[21] Appl. No.: 527,276

[22] Filed: Aug. 29, 1983

[52] U.S. Cl. D13/2

[58] Field of Search D13/1, 2, 3; 320/2-5; 307/150

[56] References Cited

U.S. PATENT DOCUMENTS

D. 205,975	10/1966	Sato	D13/1
D. 276,515	11/1984	Yaguchi	D13/1
3,056,893	10/1962	Russ	307/150
3,963,972	6/1976	Todd	307/150
4,331,883	5/1982	Vitaloni	307/150

OTHER PUBLICATIONS

Montgomery Ward Fall/Winter 1981 p. 785 Electric Power Source Group.

Primary Examiner—Wallace R. Burke
Assistant Examiner—Lynn Wilder
Attorney, Agent, or Firm—Armstrong, Nikaido, Marmelstein & Kubovcik

[57] CLAIM

The ornamental design for engine generator, as shown and described.

DESCRIPTION

FIG. 1 is a front elevational view of a engine generator, showing my new design;
FIG. 2 is a rear elevational view thereof;
FIG. 3 is a right side elevational view thereof;
FIG. 4 is a left side elevational view thereof;
FIG. 5 is a top plan view thereof;
FIG. 6 is a bottom plan view thereof;
FIG. 7 is a perspective view thereof.

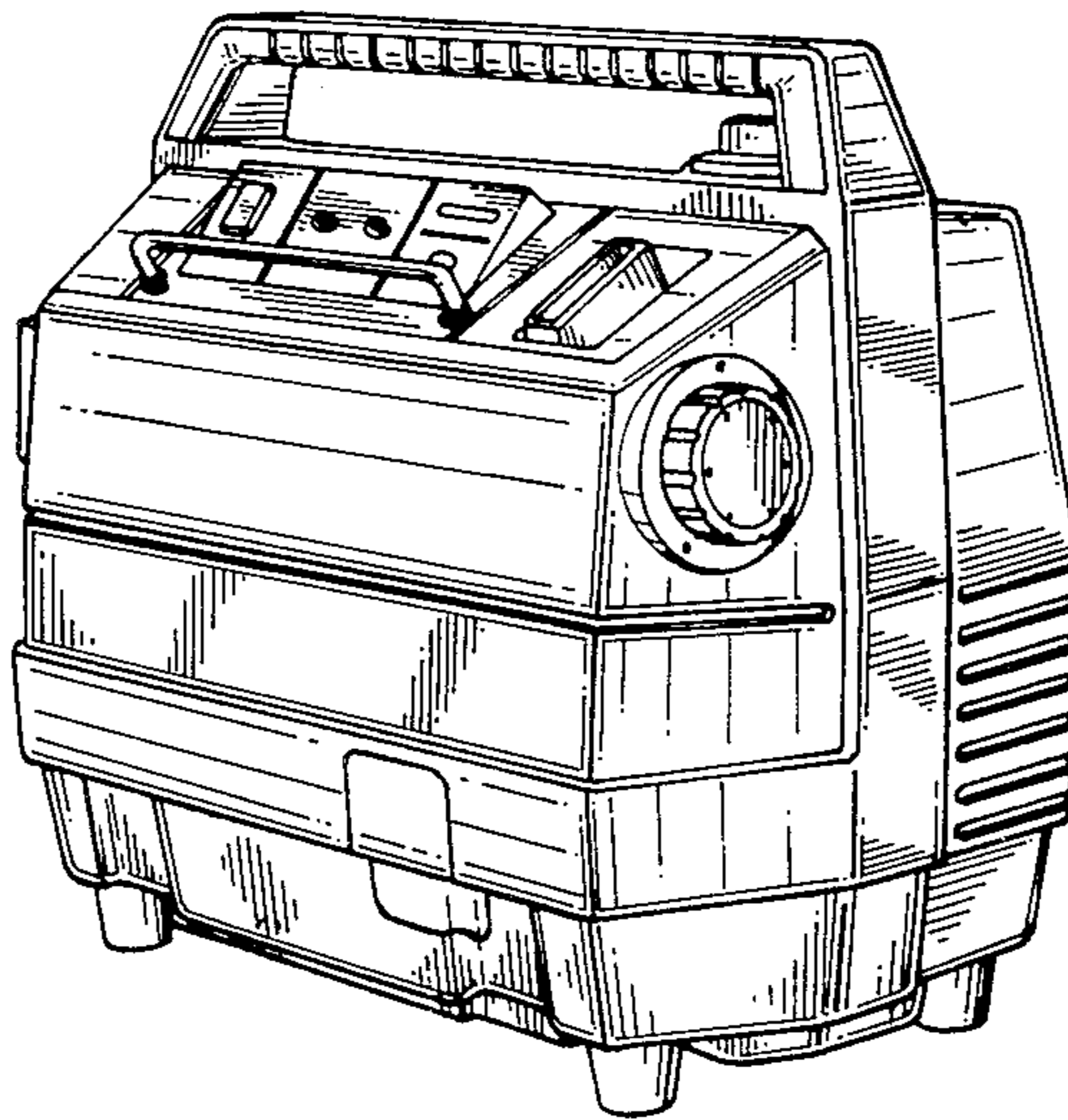


FIG. 1

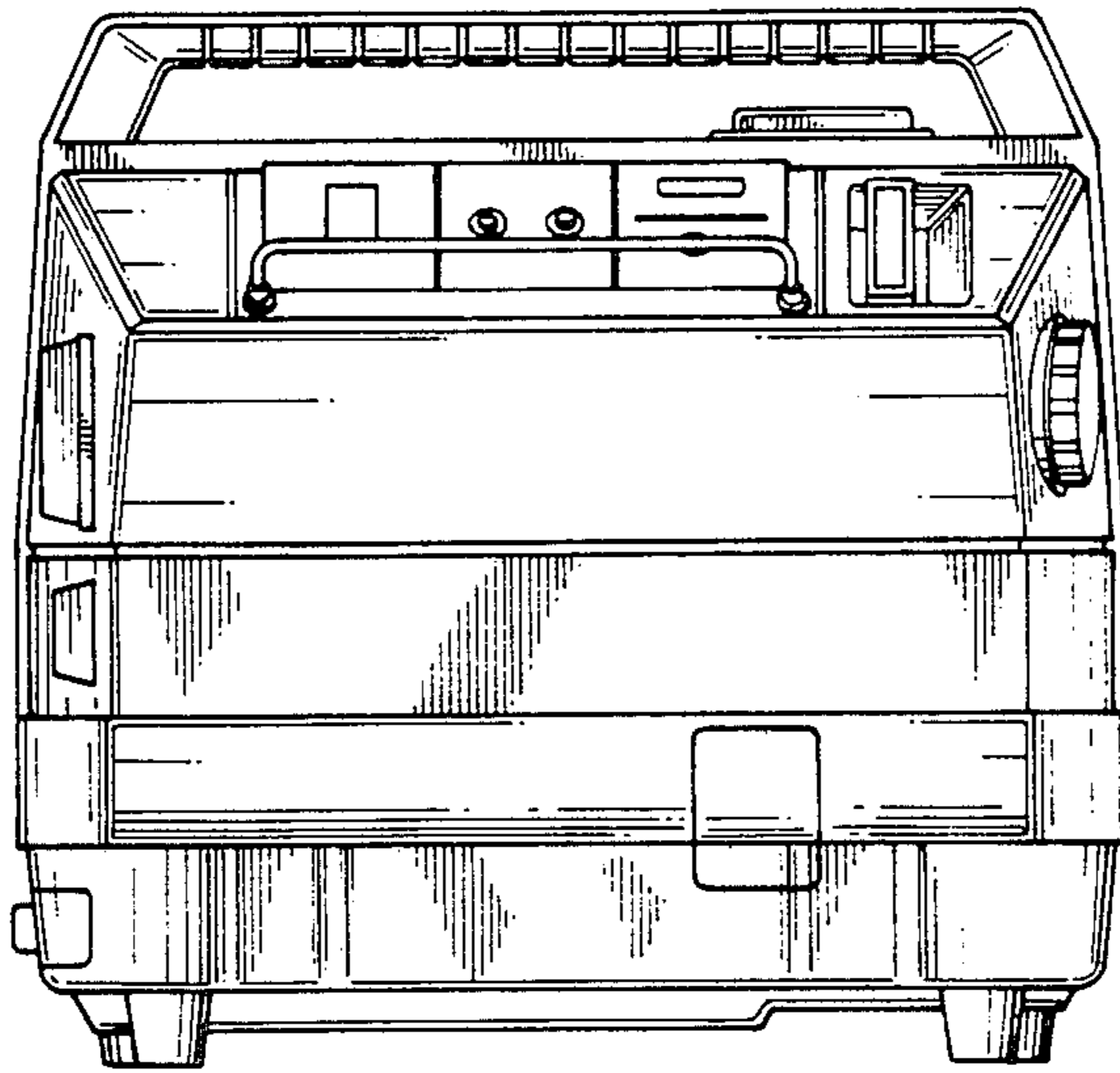


FIG. 2

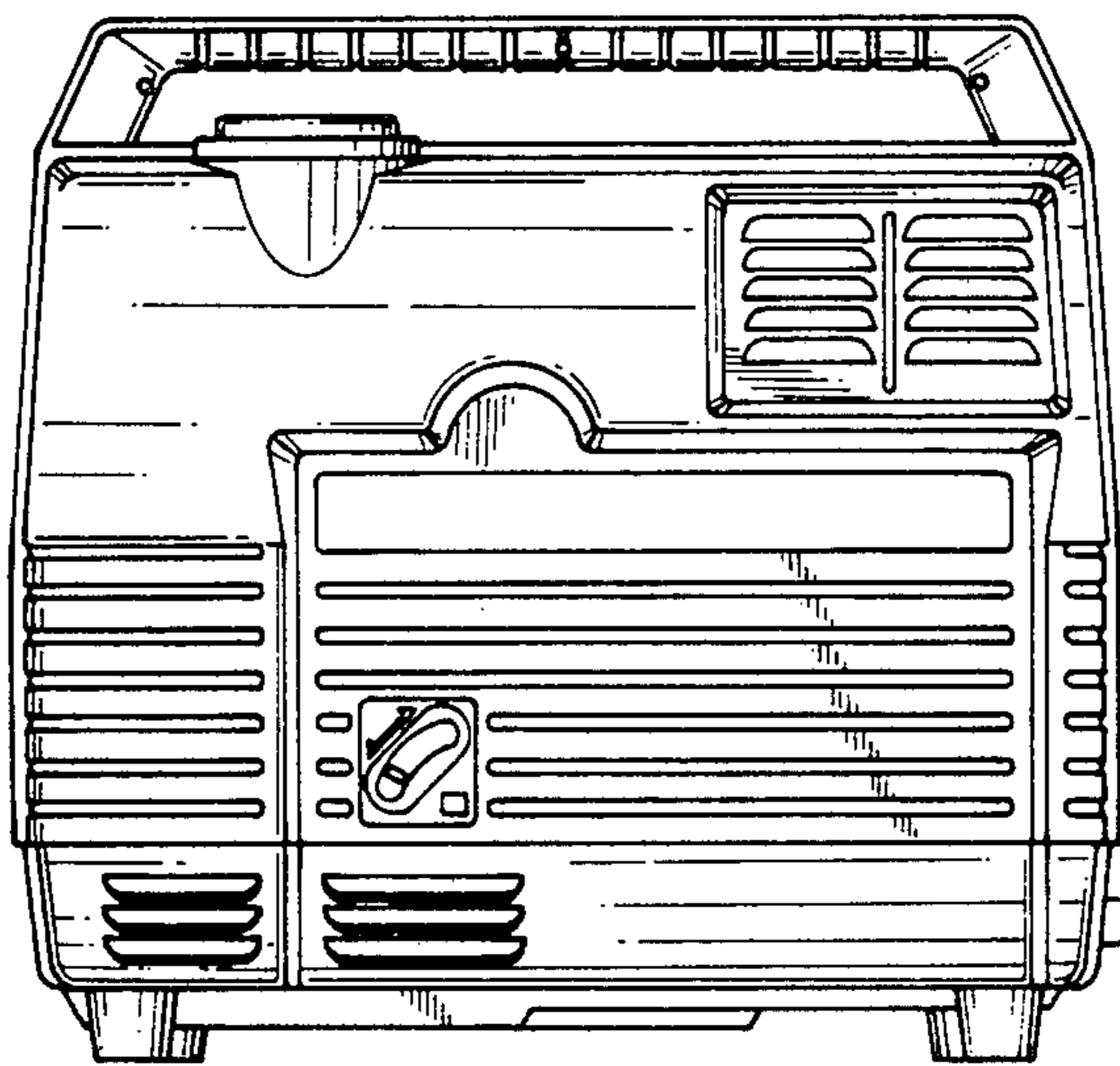


FIG. 4

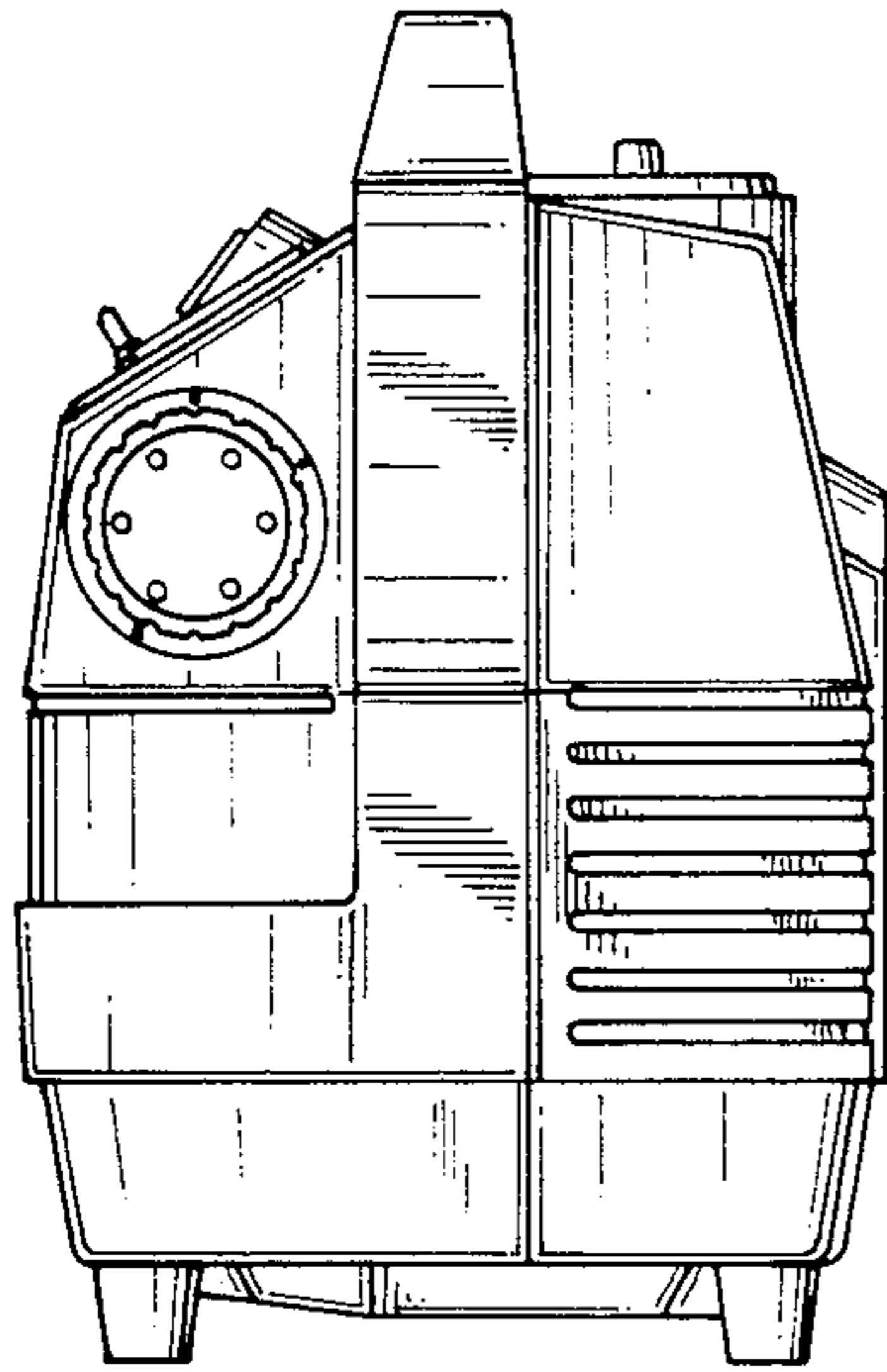


FIG. 3

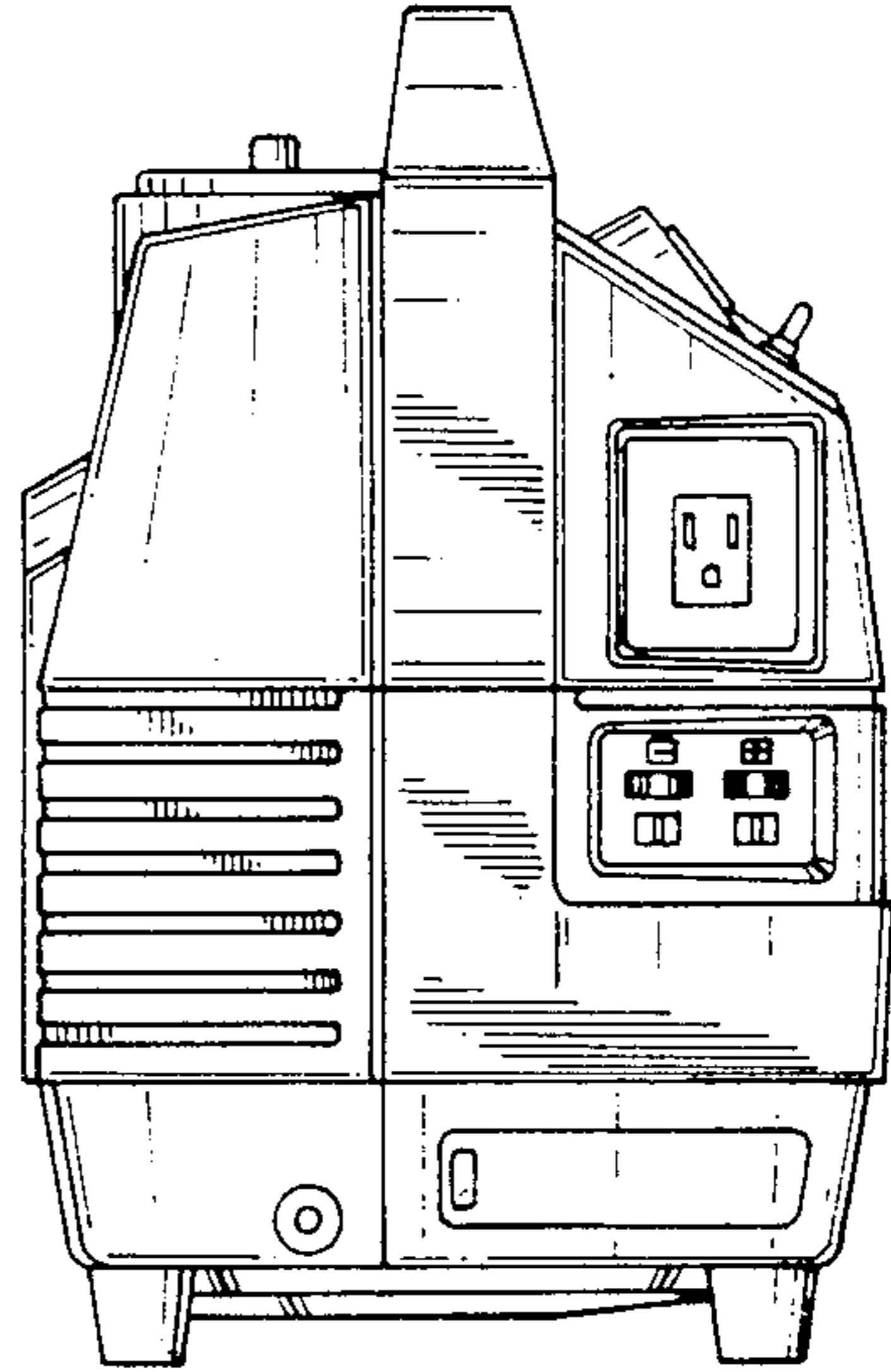


FIG. 5

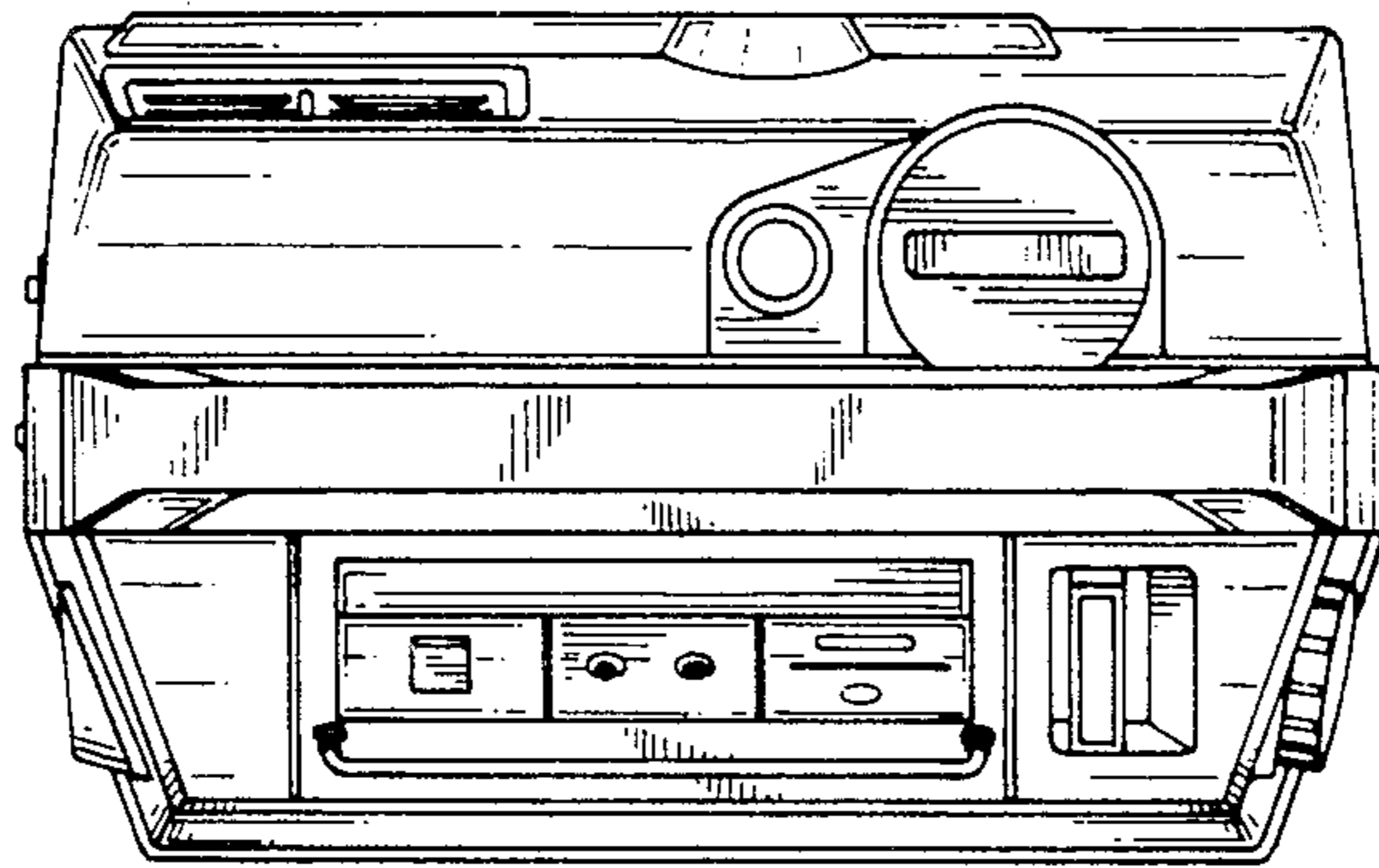


FIG. 6

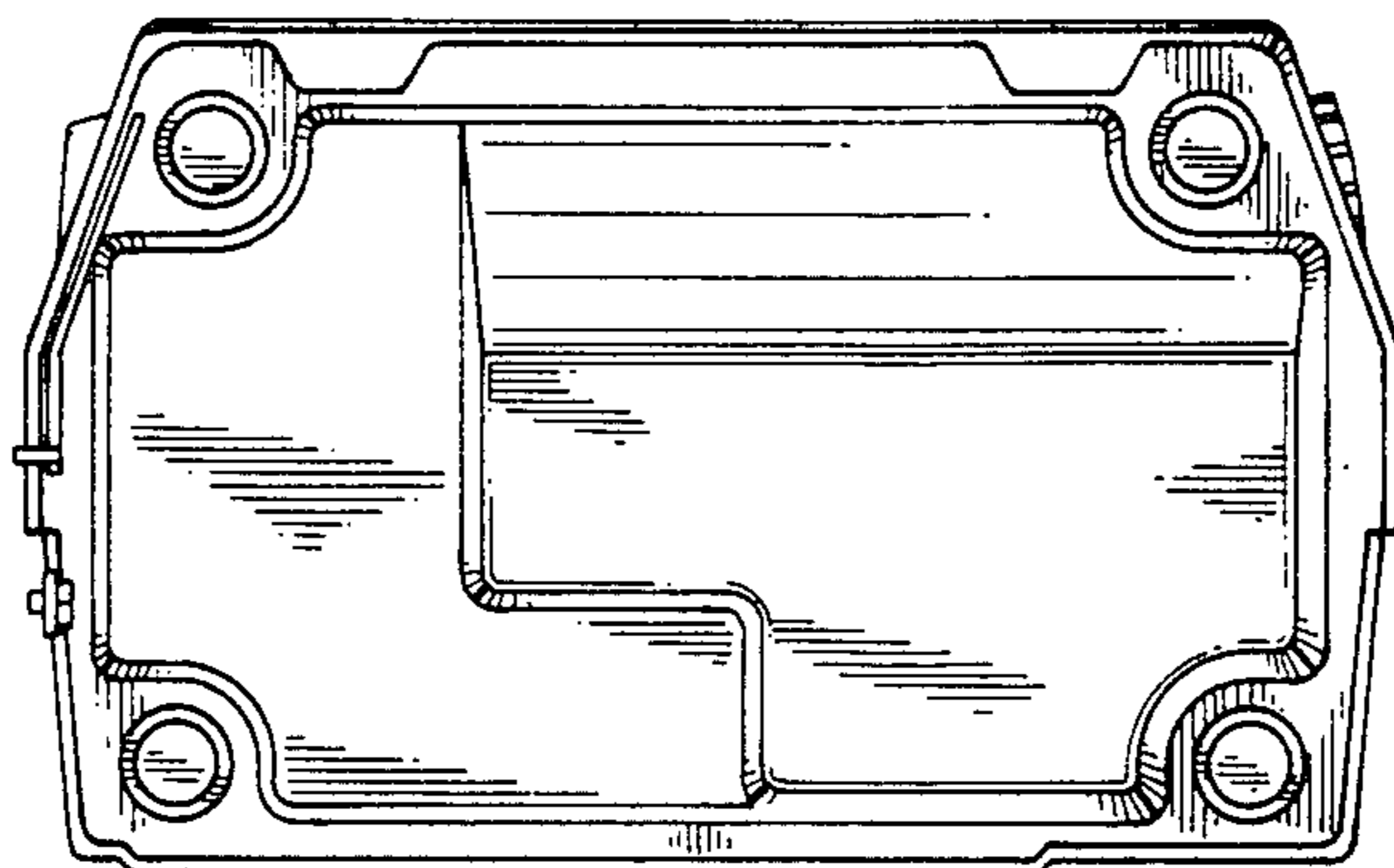
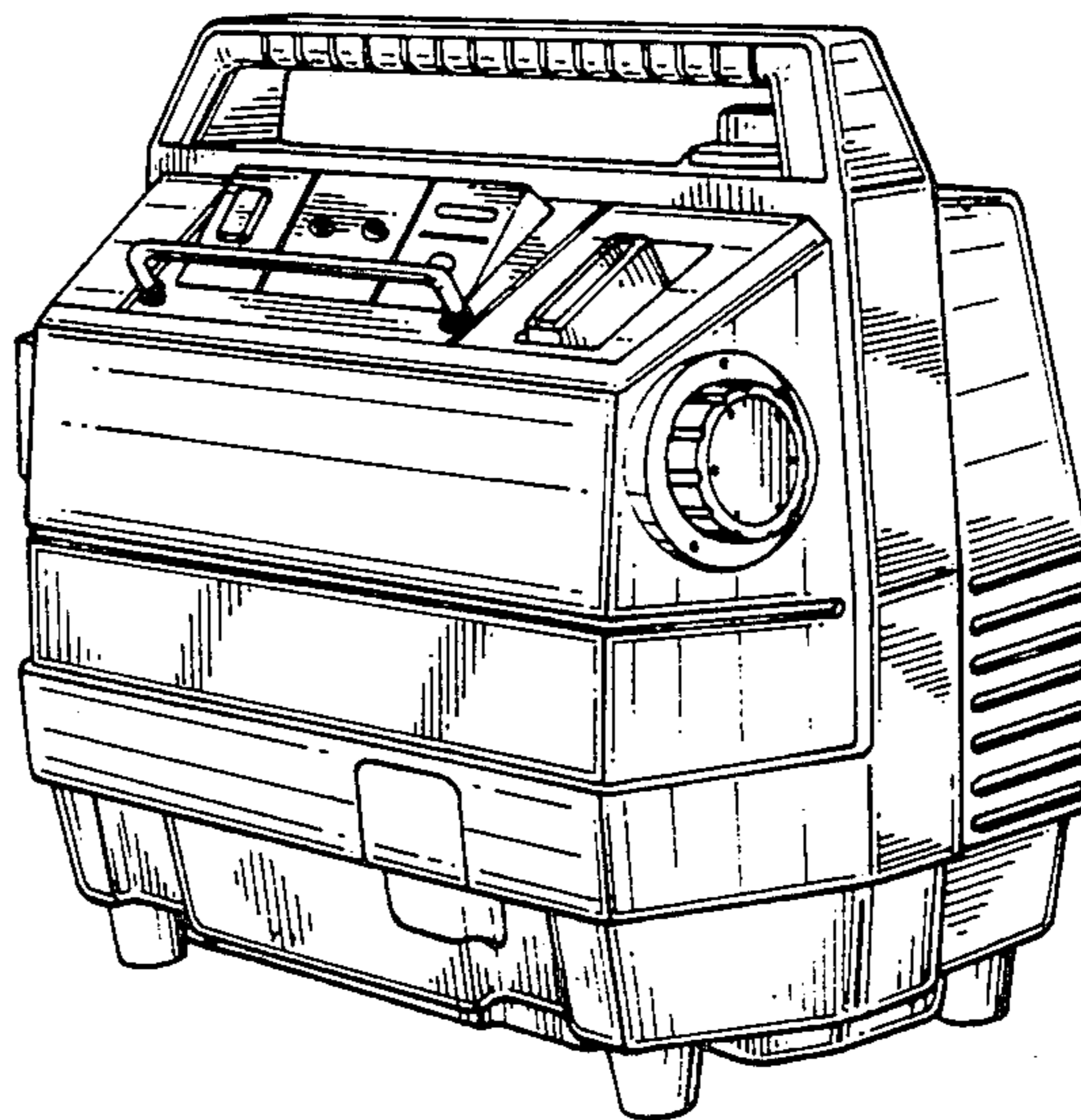


FIG. 7



UNITED STATES PATENT AND TRADEMARK OFFICE
CERTIFICATE OF CORRECTION

PATENT NO. : Des. 281,492
DATED : November 26, 1985
INVENTOR(S) : TADAHIRO YAGUCHI

It is certified that error appears in the above-identified patent and that said Letters Patent is hereby corrected as shown below:

On the cover page, after Item [22], insert ---
[30] Foreign Application Priority Data
March 15, 1983 Japan..... 10562/58 ----.

Signed and Sealed this
Third Day of June 1986

[SEAL]

Attest:

Attesting Officer

DONALD J. QUIGG

Commissioner of Patents and Trademarks