

[54] **CONVERTIBLE COUPLER**

[76] **Inventor:** Roy T. Hancock, Rte. 1, Box 1757 F,  
West Sacramento, Calif. 95691

[\*\*] **Term:** 14 Years

[21] **Appl. No.:** 477,781

[22] **Filed:** Mar. 22, 1983

[52] **U.S. Cl.** ..... D12/162

[58] **Field of Search** ..... D12/162; 280/415 A,  
280/417

[56] **References Cited**

**U.S. PATENT DOCUMENTS**

|           |        |               |       |           |
|-----------|--------|---------------|-------|-----------|
| 2,827,307 | 3/1958 | Osborn        | ..... | 280/415 A |
| 2,940,775 | 6/1960 | Farrow et al. | ..... | 280/415 A |
| 3,951,434 | 4/1976 | Sause         | ..... | 280/415 A |

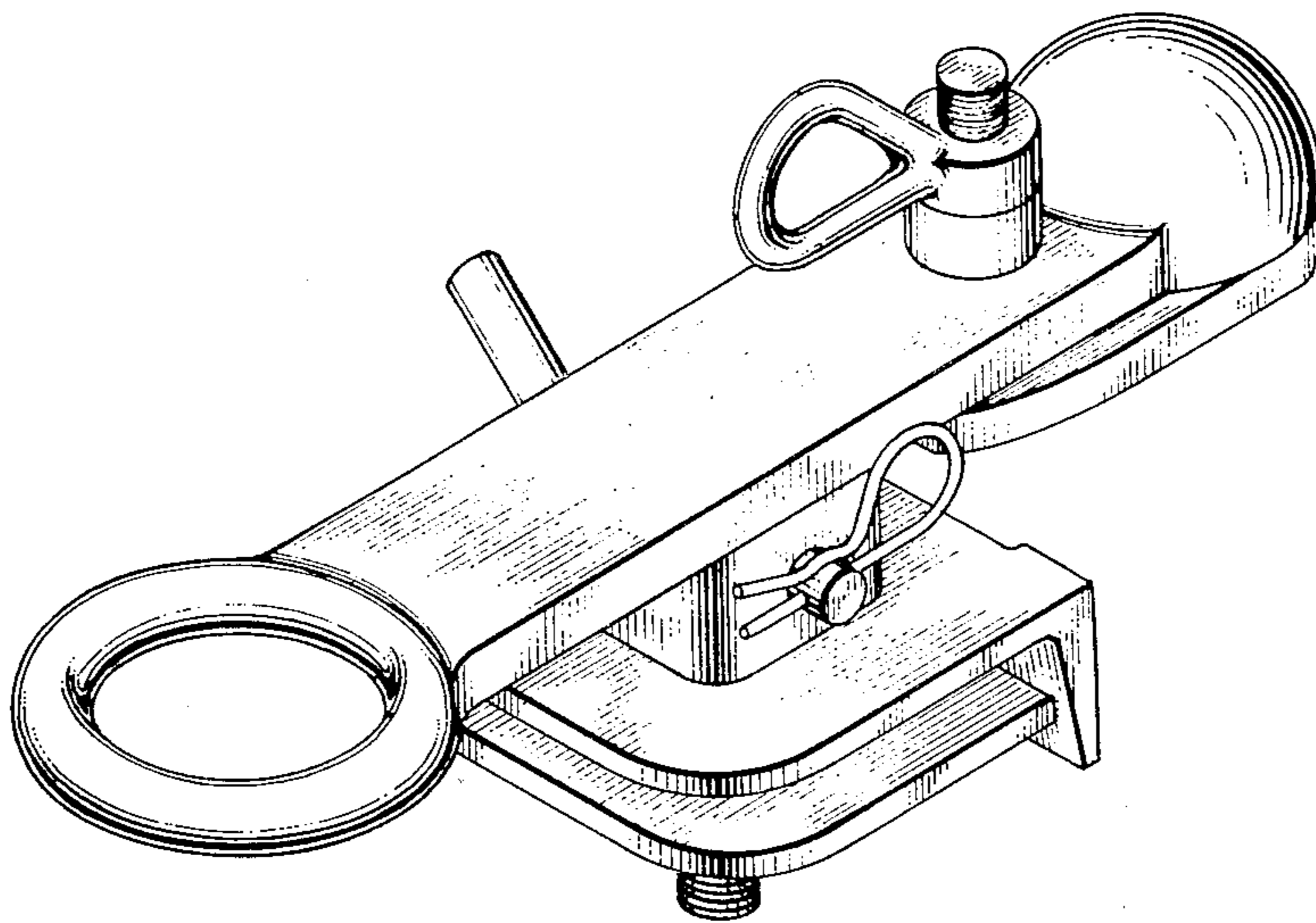
*Primary Examiner*—James M. Gandy  
*Attorney, Agent, or Firm*—Lothrop & West

[57] **CLAIM**

The ornamental design for a convertible coupler, as shown and described.

**DESCRIPTION**

FIG. 1 is a perspective view of a convertible coupler, showing my new design;  
FIG. 2 is a top plan view thereof;  
FIG. 3 is an elevational view of one side thereof;  
FIG. 4 is an elevational view of one end thereof;  
FIG. 5 is a bottom plan view thereof;  
FIG. 6 is an elevational view of the other side thereof;  
FIG. 7 is an elevational view of the other end thereof;  
and,  
FIG. 8 is a sectional view thereof taken along line 8—8 of FIG. 2.



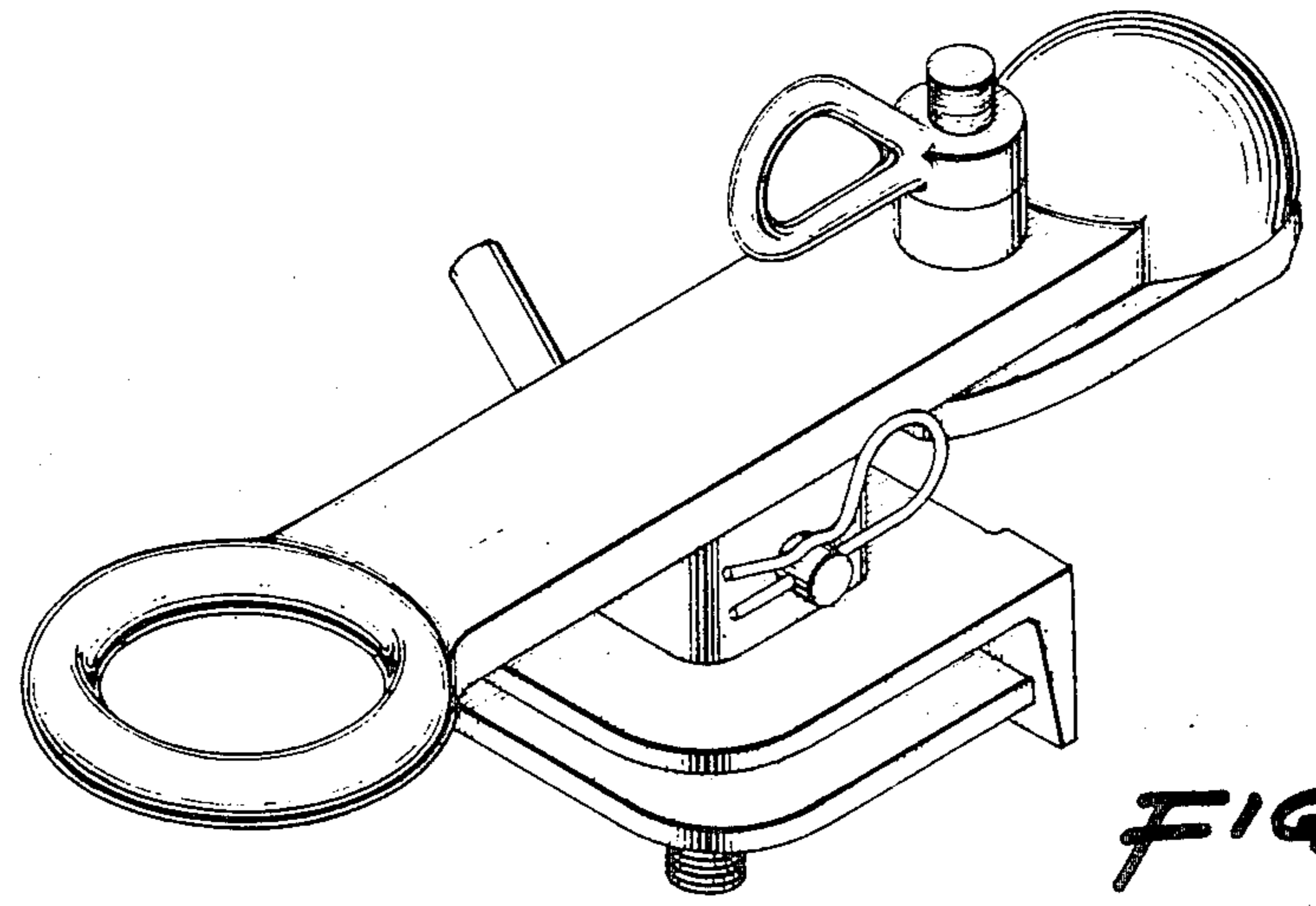


FIG-1

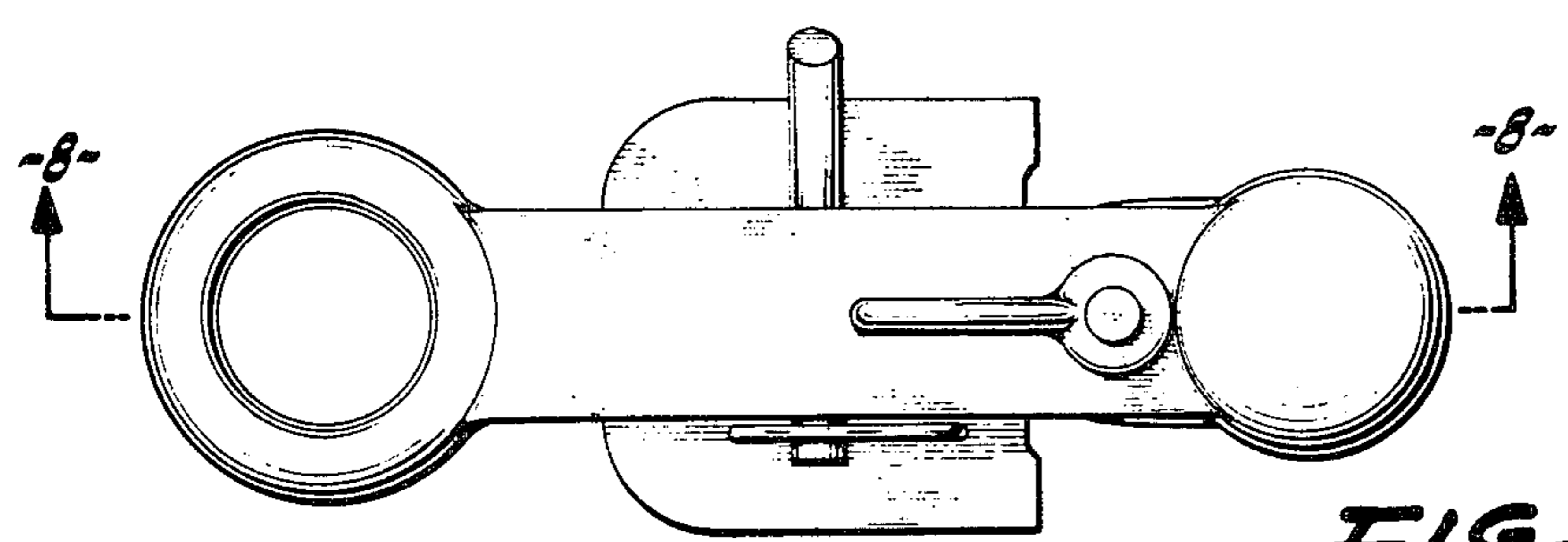


FIG-2

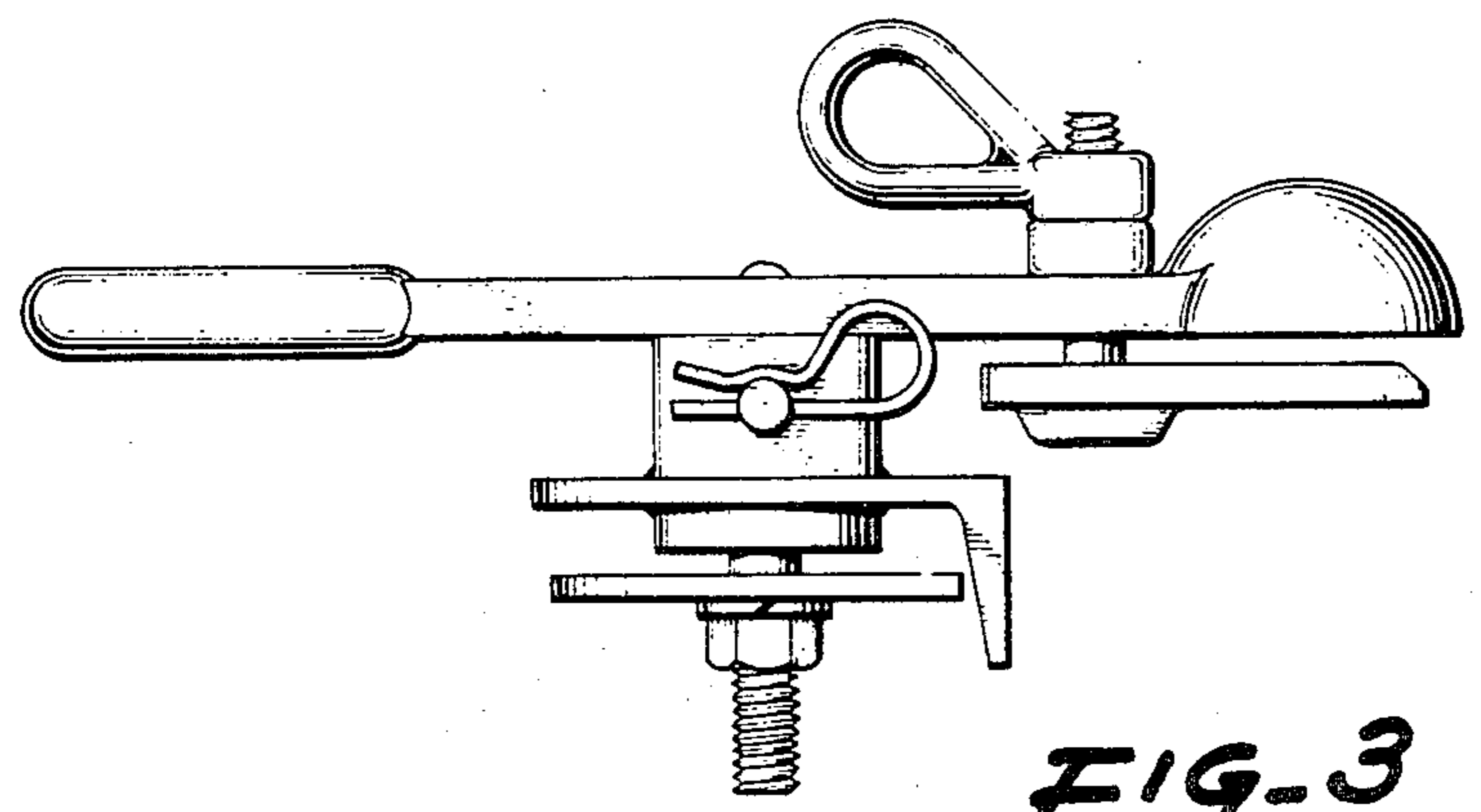


FIG-3

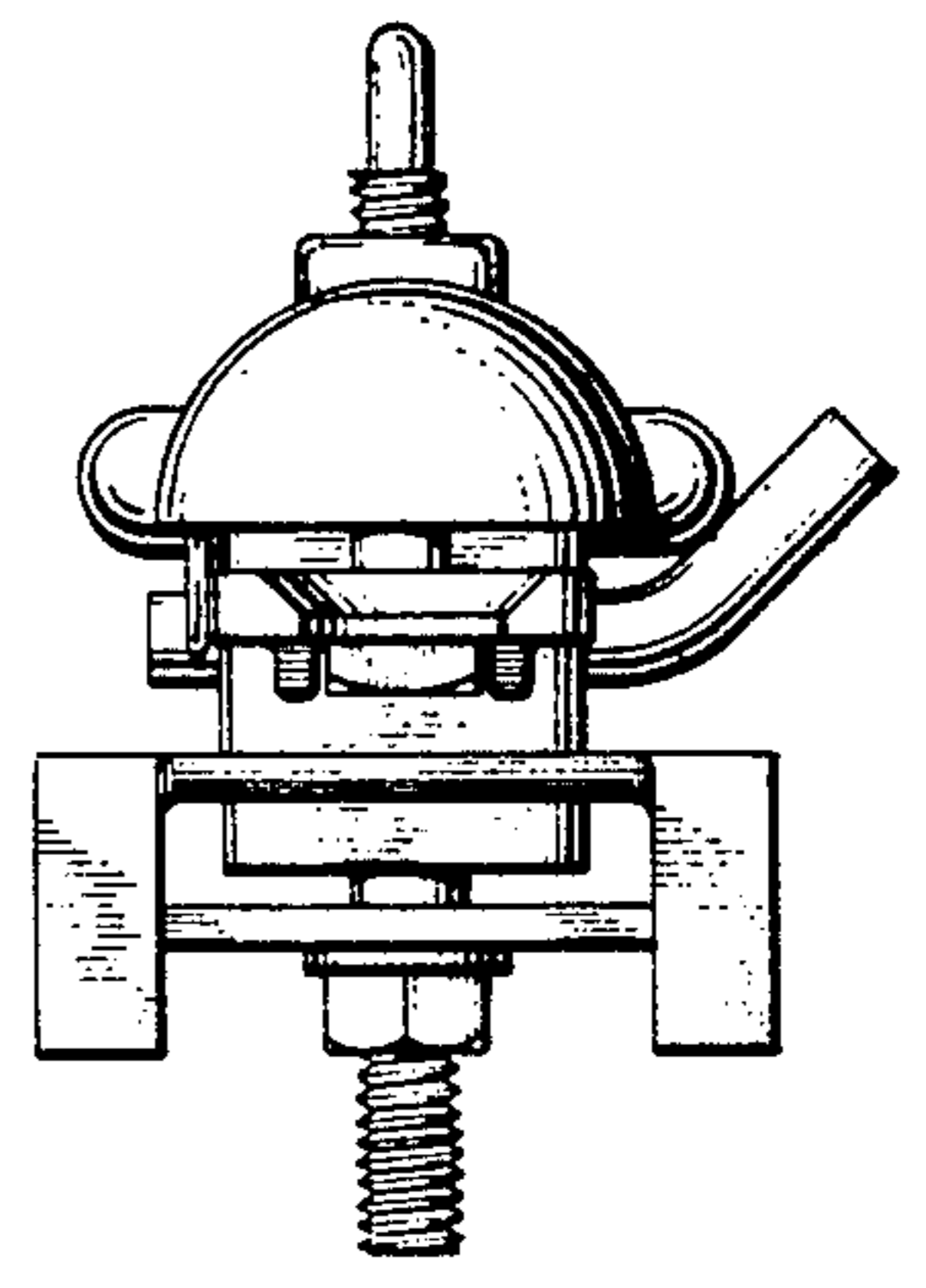


FIG-4

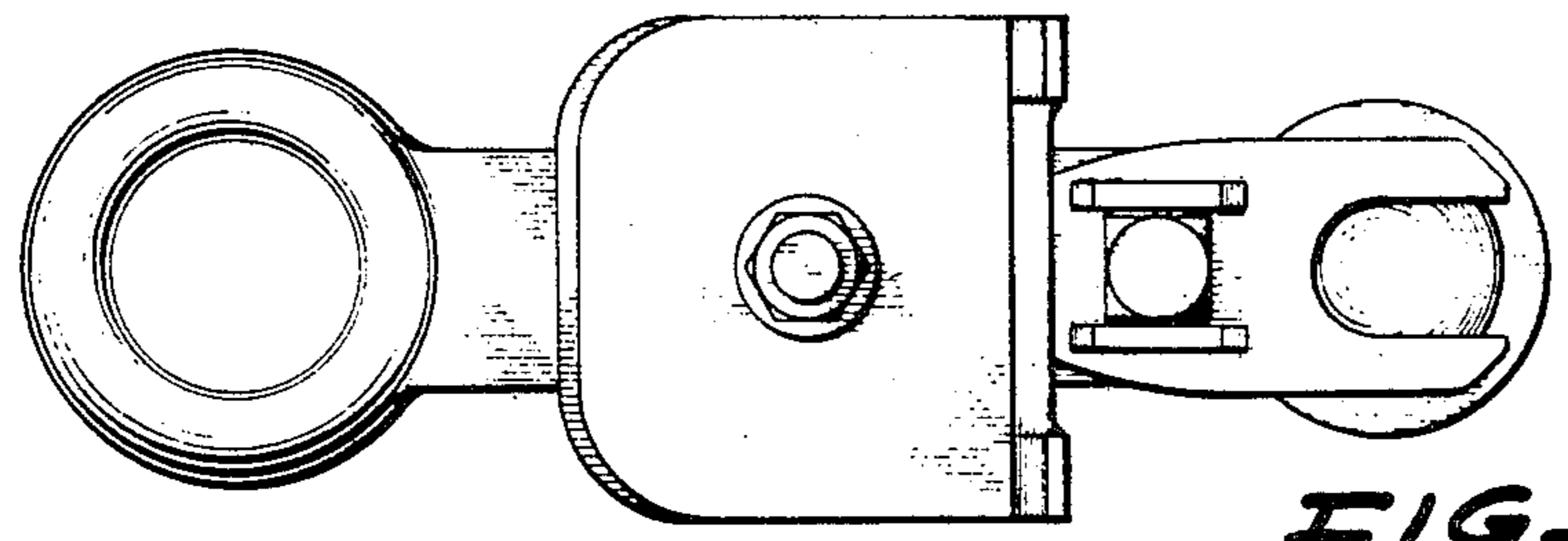


FIG-5

FIG. 6

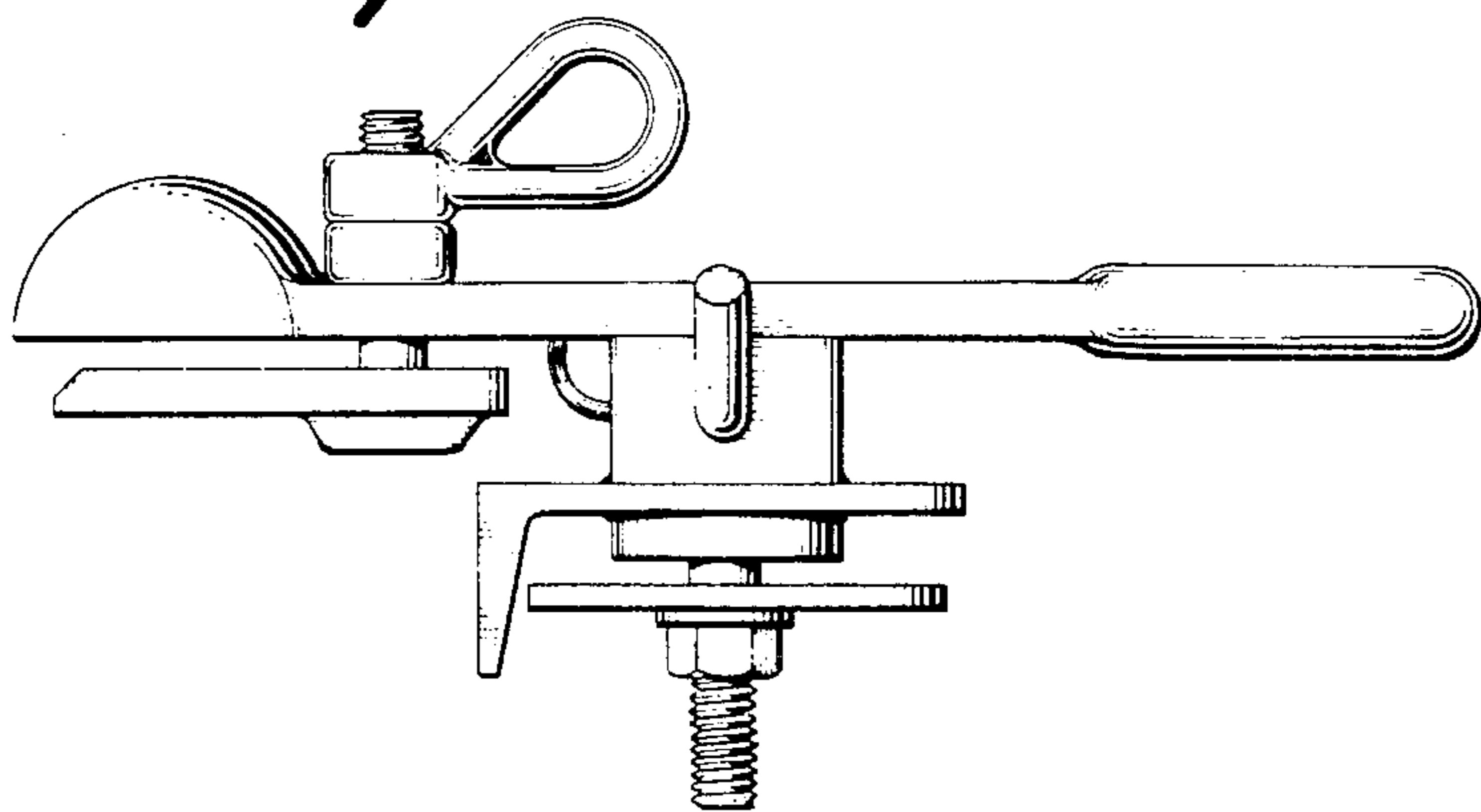


FIG. 7

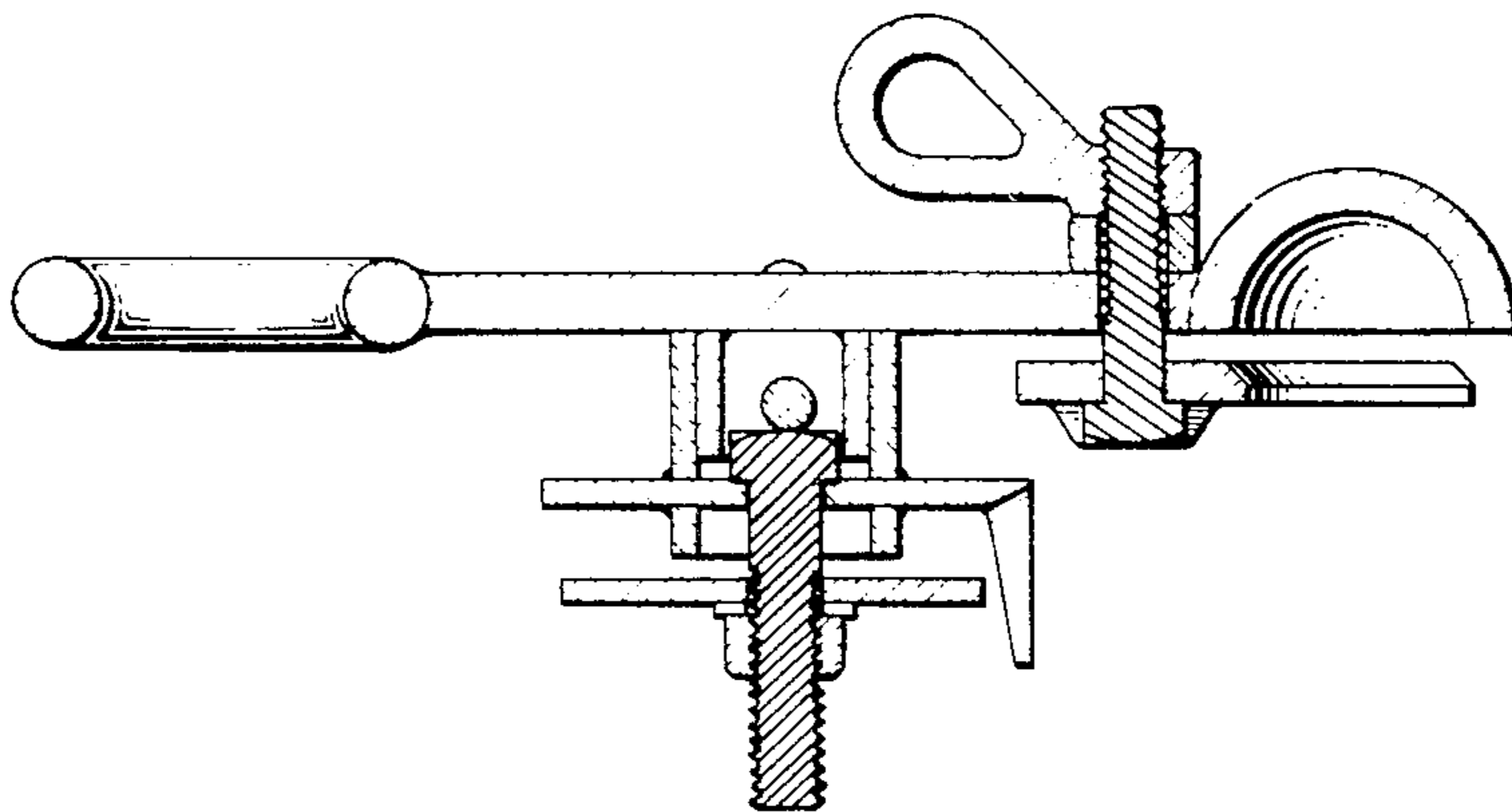
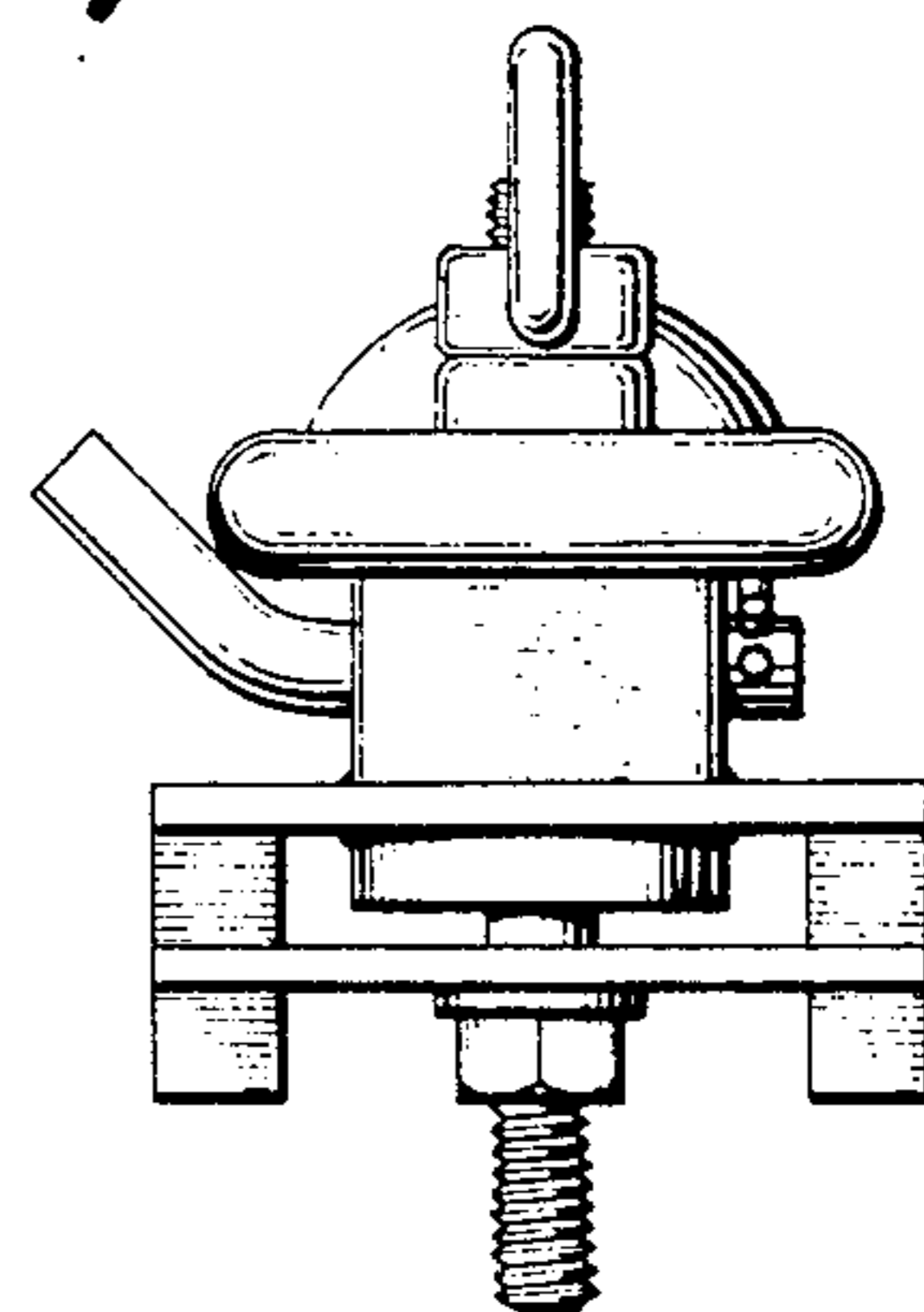


FIG. 8