

[54] PICK-UP TRUCK TONNEAU COVER

3,954,296 5/1976 Patnode 296/10

[75] Inventor: Scott T. Chapman, Elkhart, Ind.

Primary Examiner—James M. Gandy
Attorney, Agent, or Firm—Barnes & Thornburg

[73] Assignee: Bivouac Industries, Inc., Vandalia, Mich.

[57] CLAIM

[**] Term: 14 Years

The ornamental design for a pick-up truck tonneau cover, as shown and described.

[21] Appl. No.: 460,016

DESCRIPTION

[22] Filed: Jan. 21, 1983

[52] U.S. Cl. D12/156

[58] Field of Search D12/156; 296/10, 164, 296/100

FIG. 1 is a side elevational view of a pick-up truck tonneau cover showing my new design, it being understood that the broken line showing of the pick-up truck is for illustrative purposes only.

[56] References Cited

U.S. PATENT DOCUMENTS

- D. 235,327 6/1975 Morris D12/156
- D. 250,406 11/1978 Windecker et al. D12/156

FIG. 2 is a top plan view thereof;
FIG. 3 is a rear elevational view thereof;
FIG. 4 is a front elevational view thereof;
FIG. 5 is a bottom plan view thereof; and
FIG. 6 is a perspective view thereof.

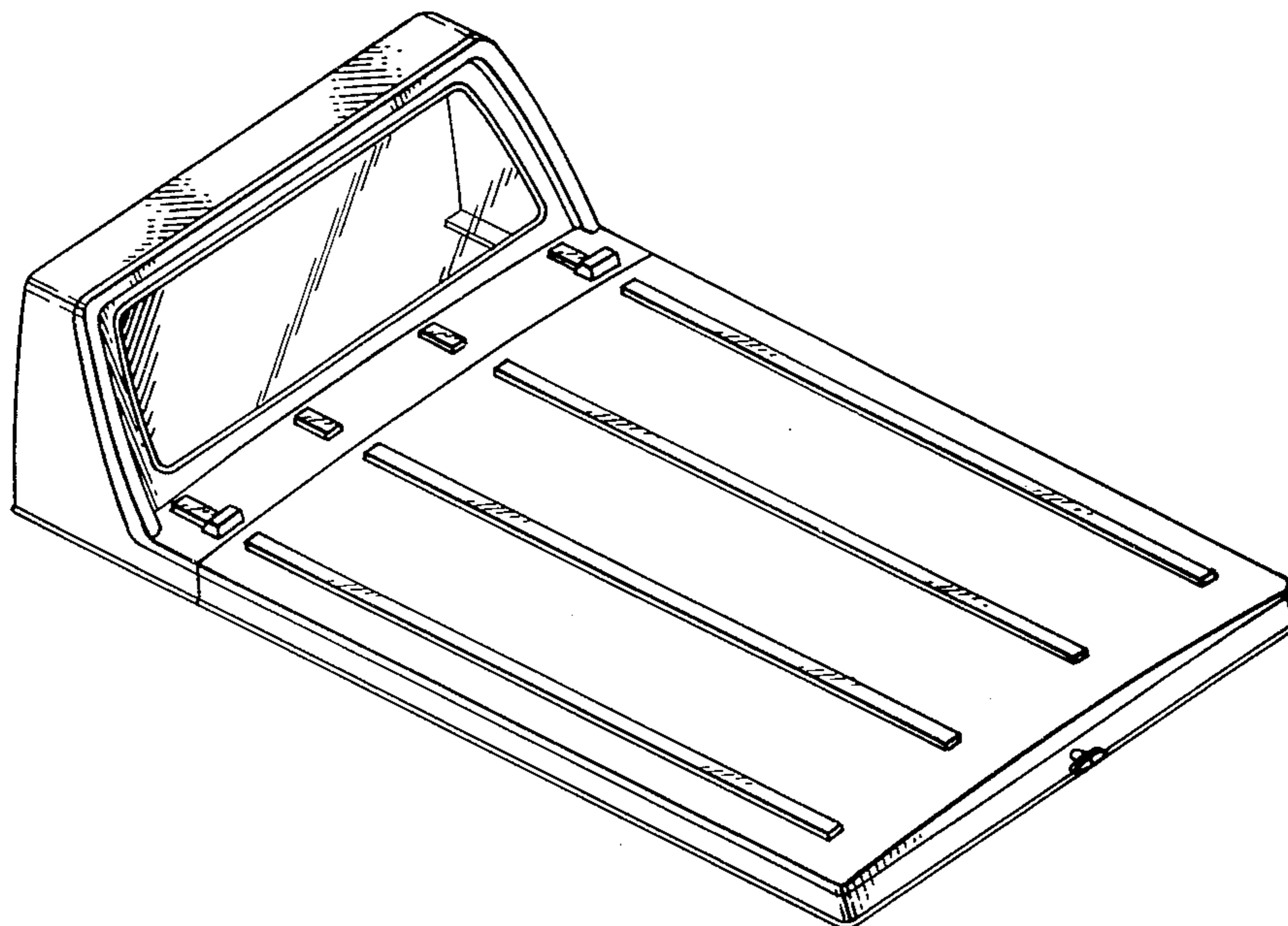


FIG. 1.

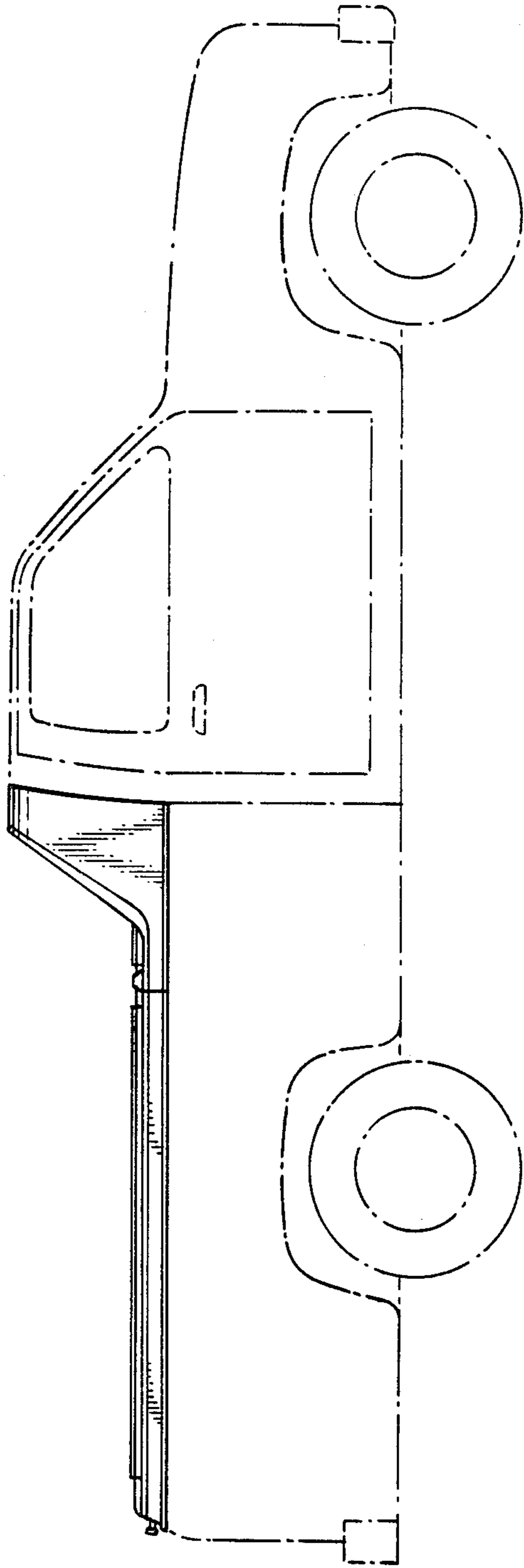


FIG. 3.

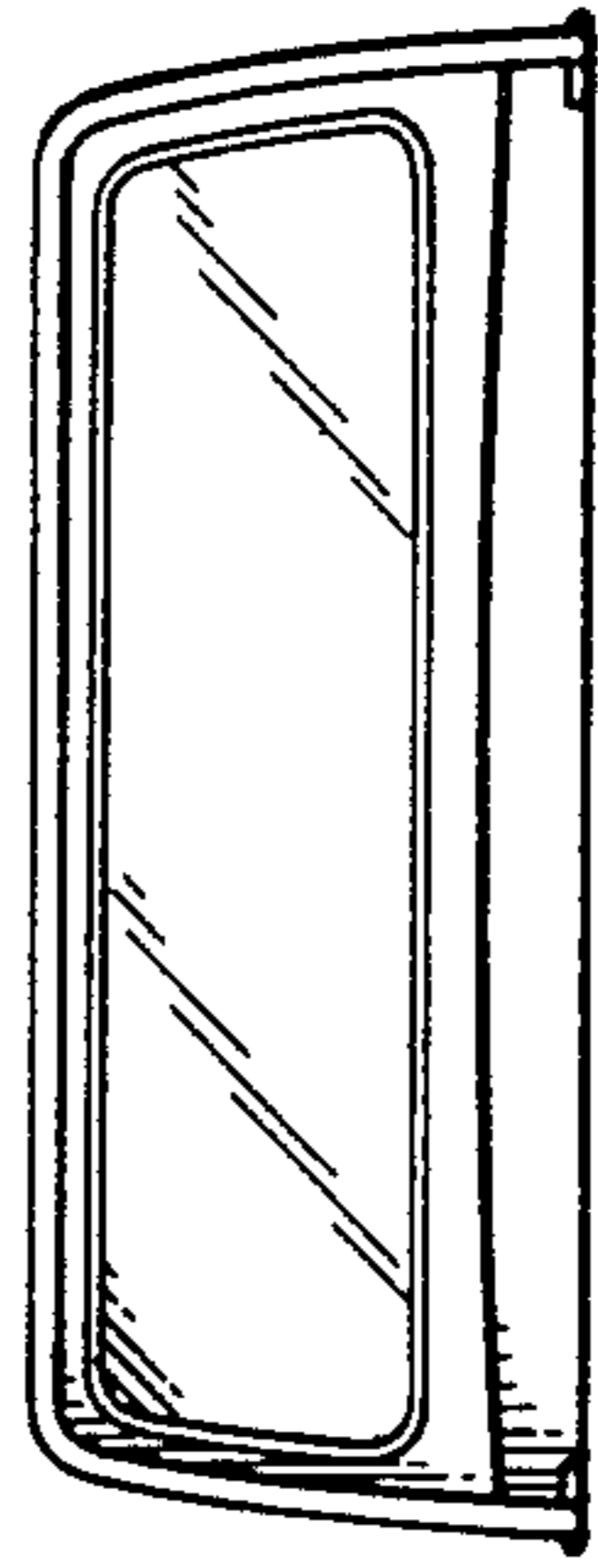


FIG. 4.

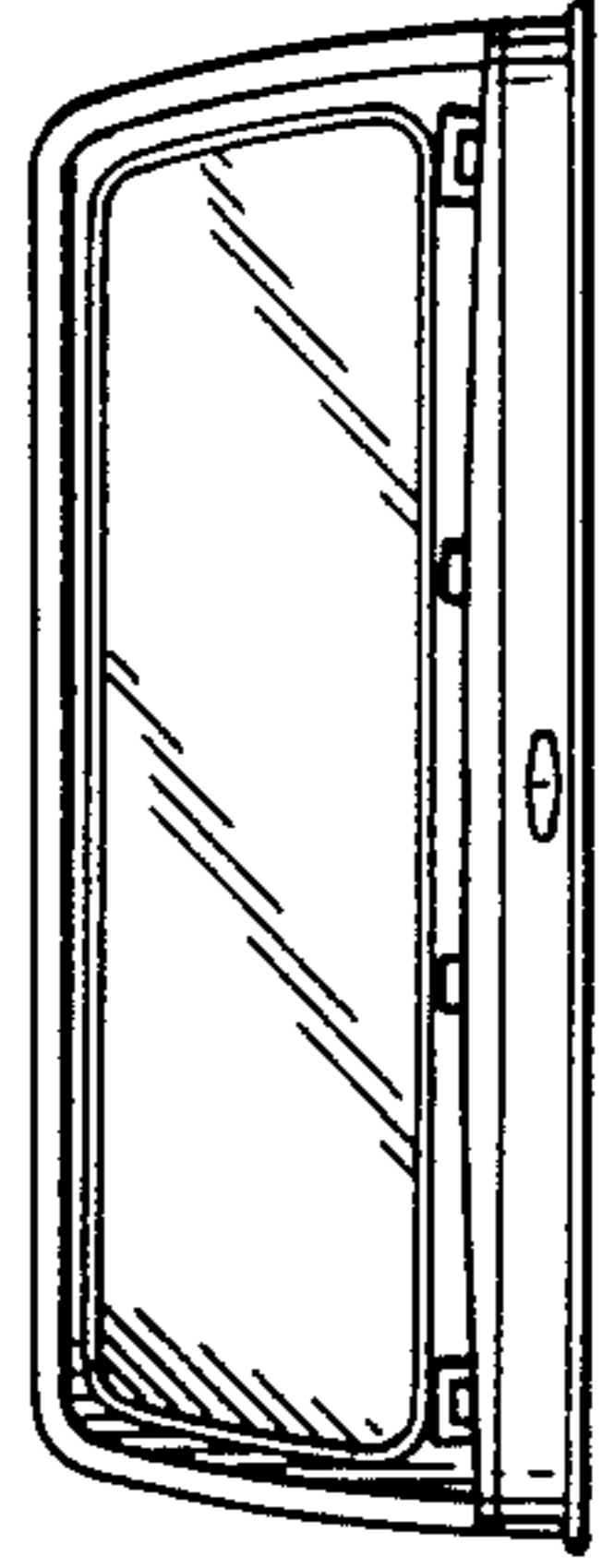


FIG. 2.

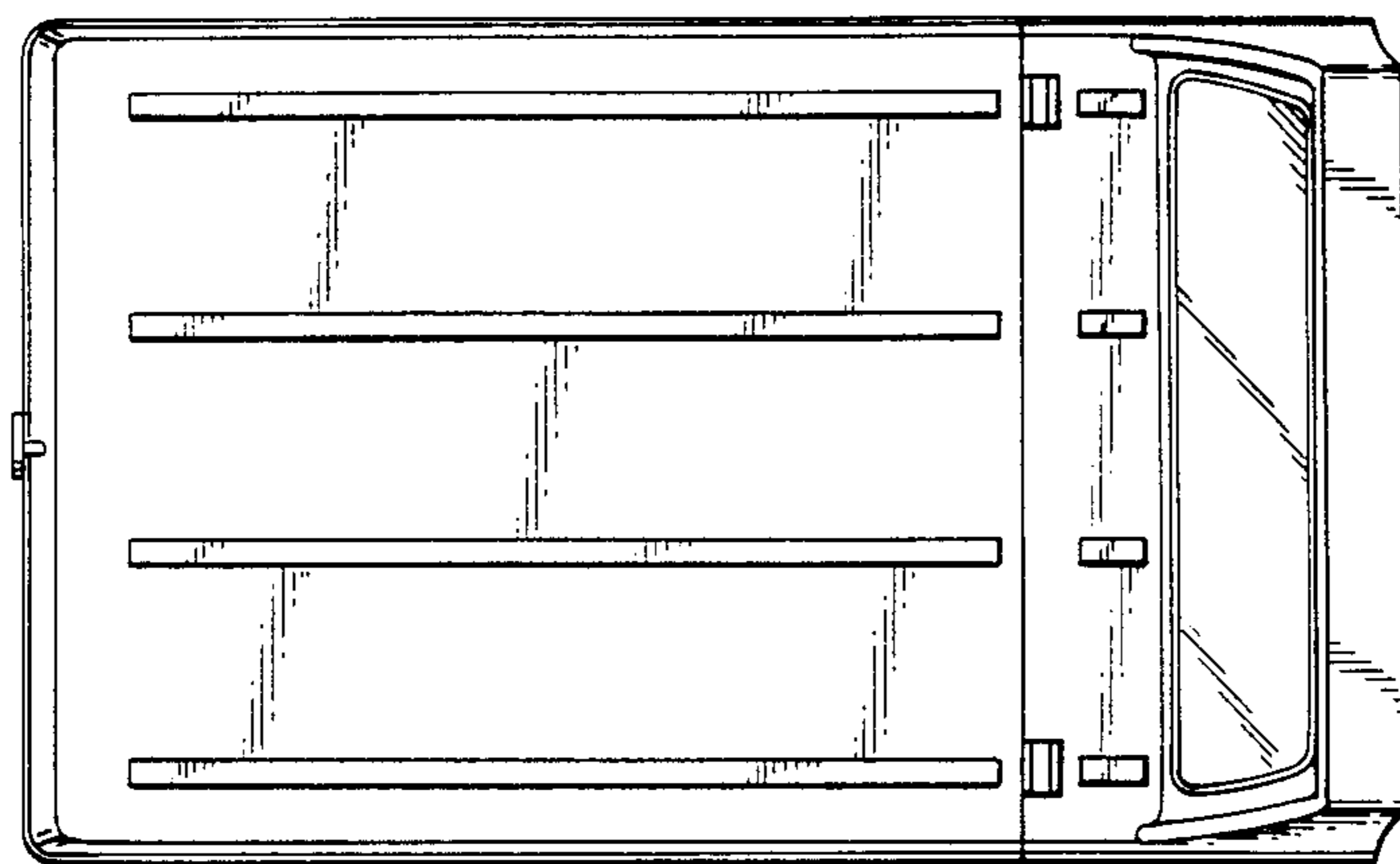
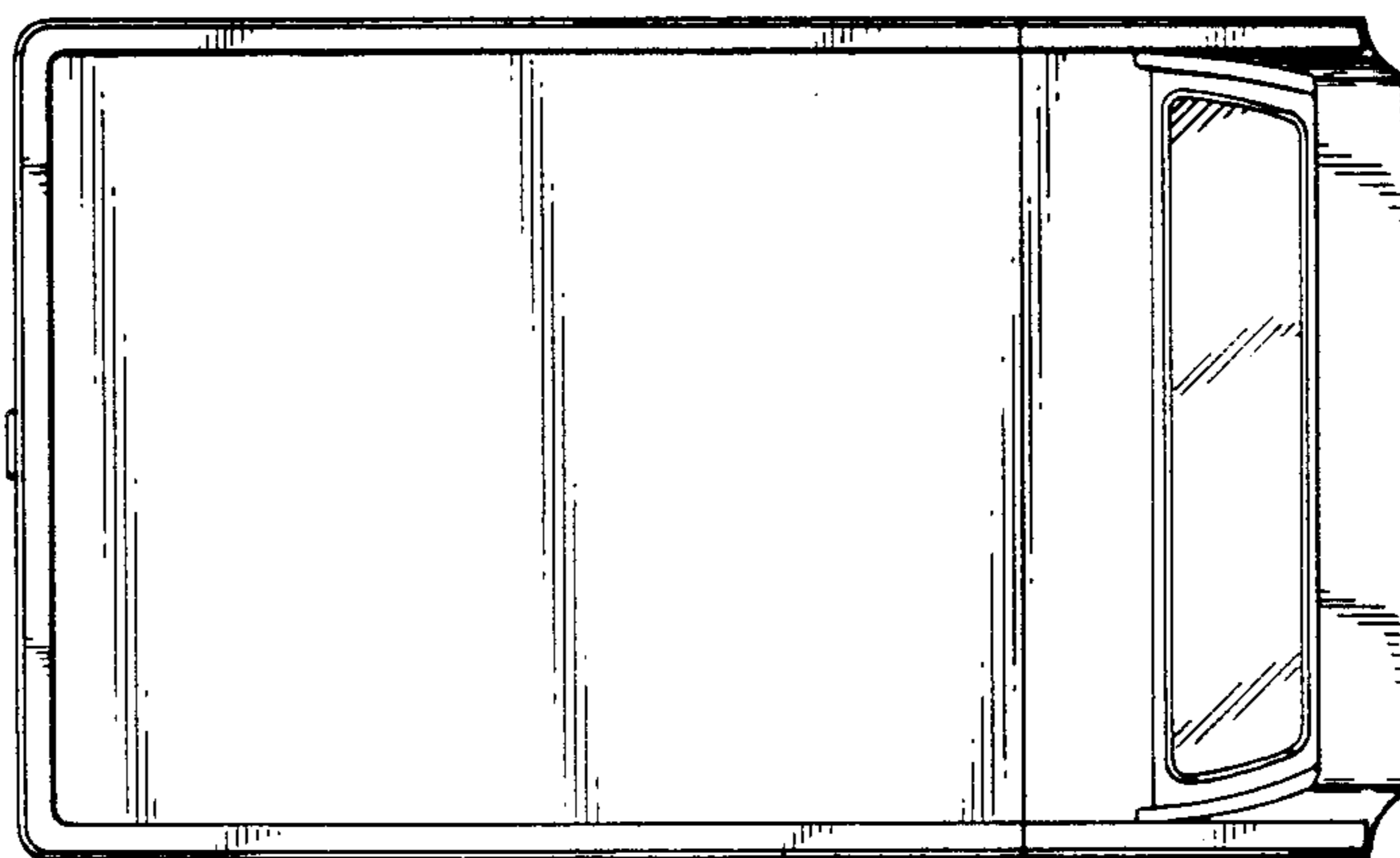


FIG. 5.



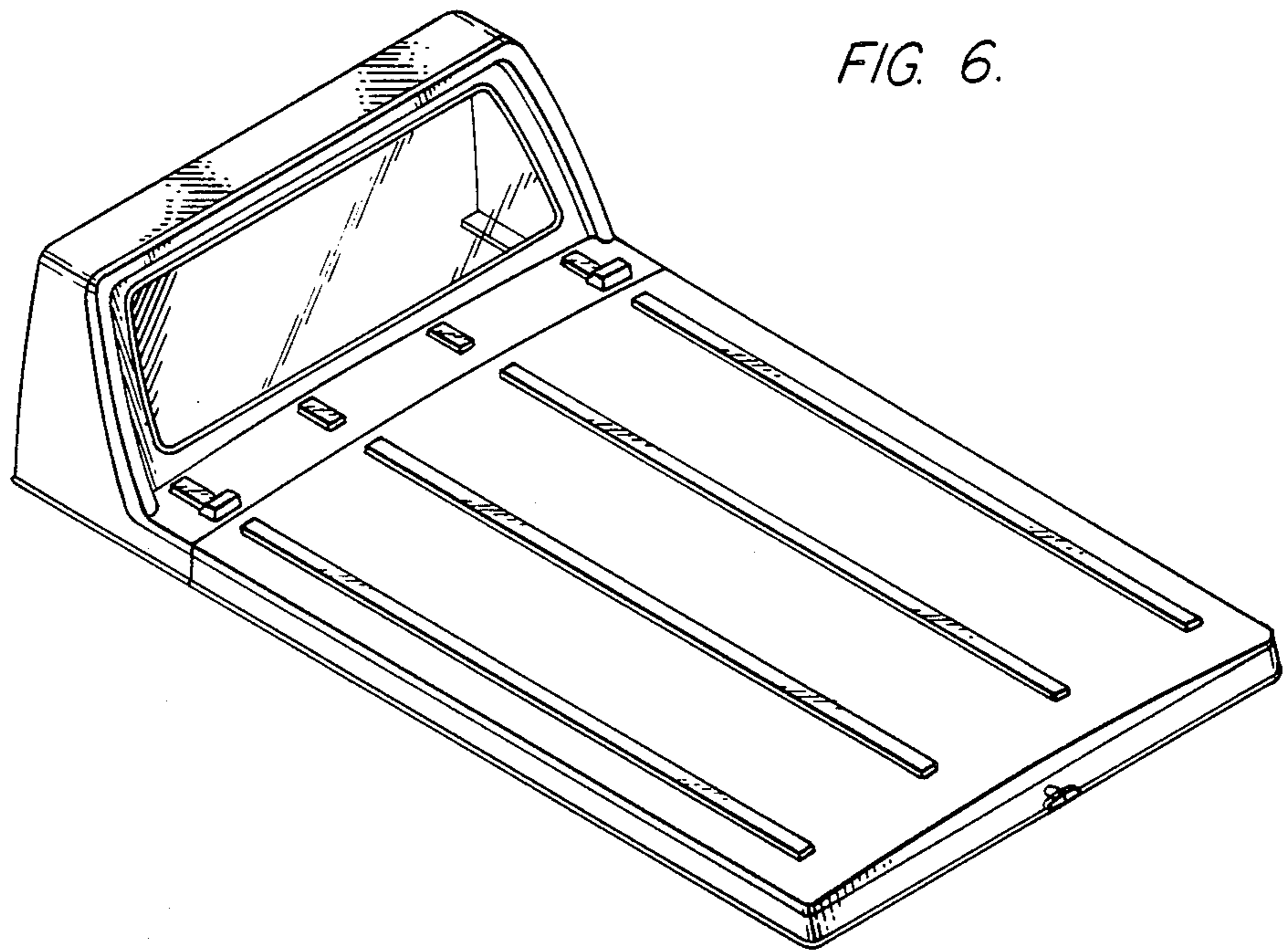


FIG. 6.