

[54] WINDING REEL

[75] Inventor: Yoshiaki Suzuki, Yokohama, Japan

[73] Assignee: Toko Kogyo Kabushiki Kaisha, Tokyo, Japan

[**] Term: 14 Years

[21] Appl. No.: 551,143

[22] Filed: Nov. 14, 1983

[30] Foreign Application Priority Data

May 11, 1983 [JP] Japan 58-19384

[52] U.S. Cl. D8/358; D3/24

[58] Field of Search D8/349, 354, 358, 359; D3/24; 242/77.3, 118.4, 118.7, 118.8

[56] References Cited

U.S. PATENT DOCUMENTS

- D. 240,192 6/1976 Balmer, Jr. D8/358
- D. 272,485 2/1984 Philips D3/24
- 344,770 6/1886 Currier 248/118.7
- 1,368,991 2/1921 Sims 242/118.8
- 2,503,374 4/1950 Bureau 242/77.3

- 3,565,363 2/1971 Mizuguchi 242/118.8
- 3,942,741 3/1976 Hussar et al. 242/118.7

Primary Examiner—B. J. Bullock
Attorney, Agent, or Firm—Abelman Frayne Rezac & Schwab

[57] CLAIM

The ornamental design for a winding reel, substantially as shown and described.

DESCRIPTION

FIG. 1 is a front elevational view of a winding reel showing my new design;
 FIG. 2 is a rear elevational view of the side opposite that shown in FIG. 1;
 FIG. 3 is a side elevational view thereof;
 FIG. 4 is a sectional view taken in the direction of the arrows on line 4—4 of FIG. 1;
 FIG. 5 is a sectional view taken in the direction of the arrows on line 5—5 of FIG. 1;
 FIG. 6 is a sectional view taken in the direction of the arrows on line 6—6 of FIG. 1;
 FIG. 7 is a front perspective view thereof;
 FIG. 8 is a rear perspective view thereof.

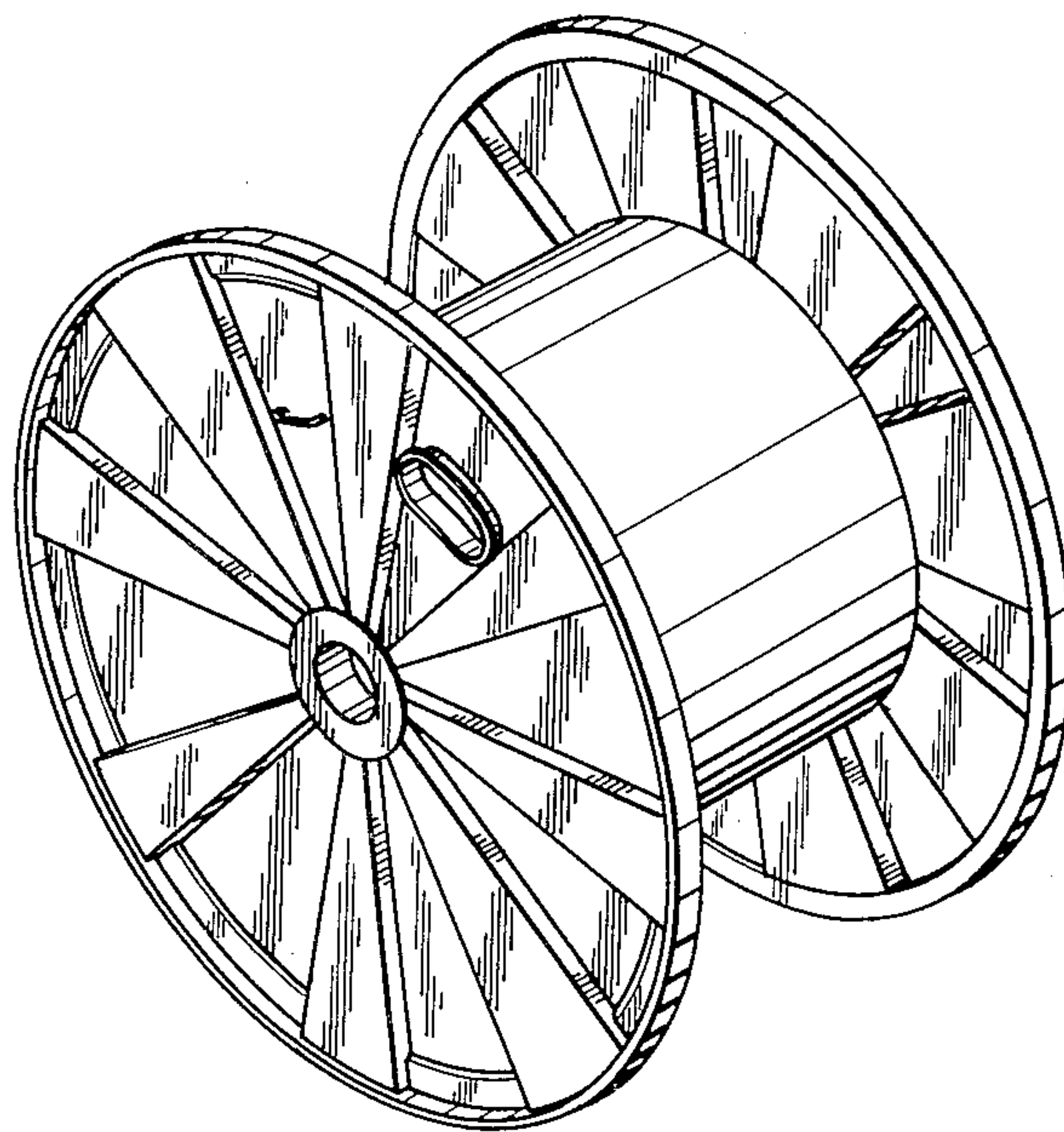


FIG. 1

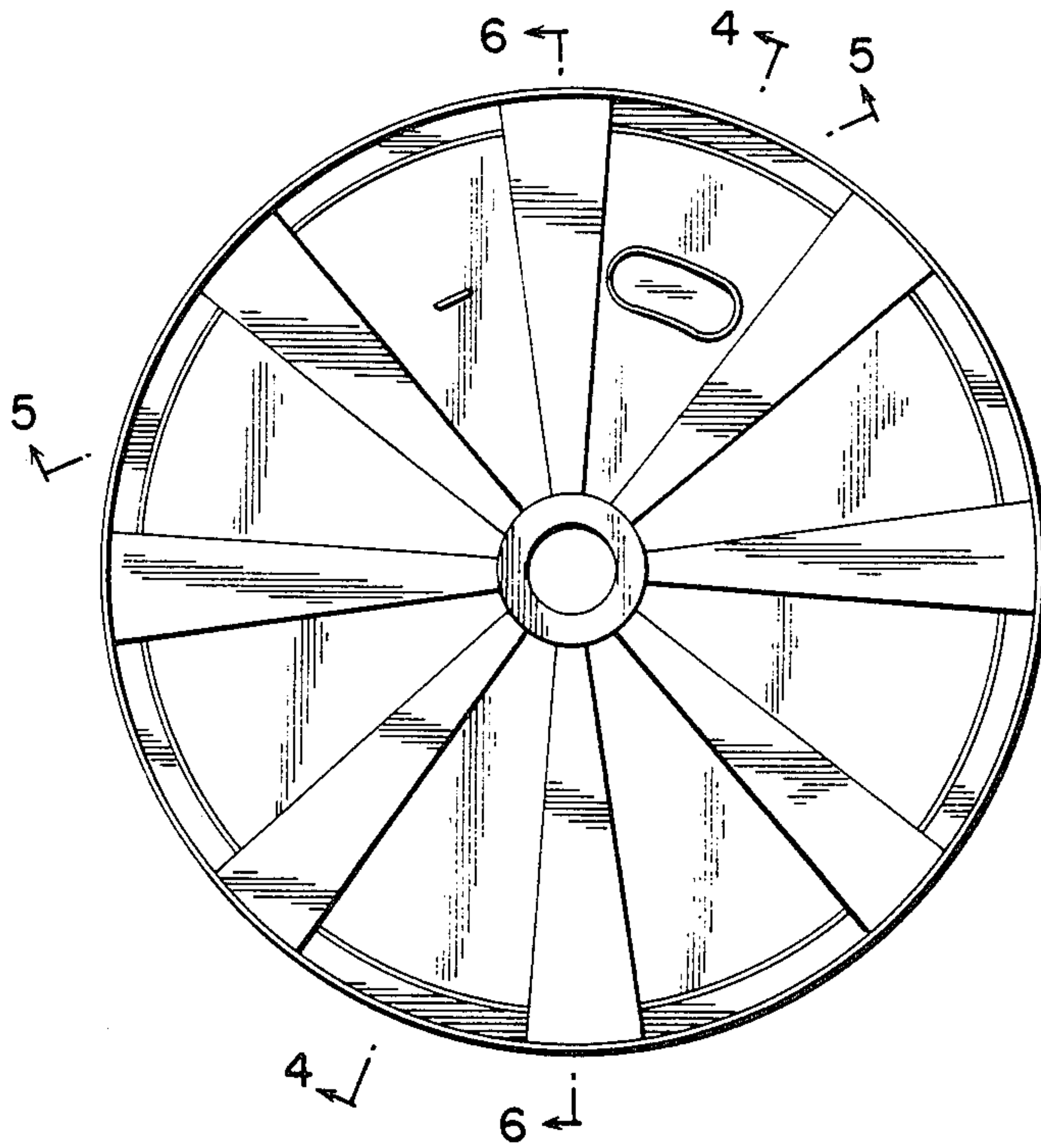


FIG. 2

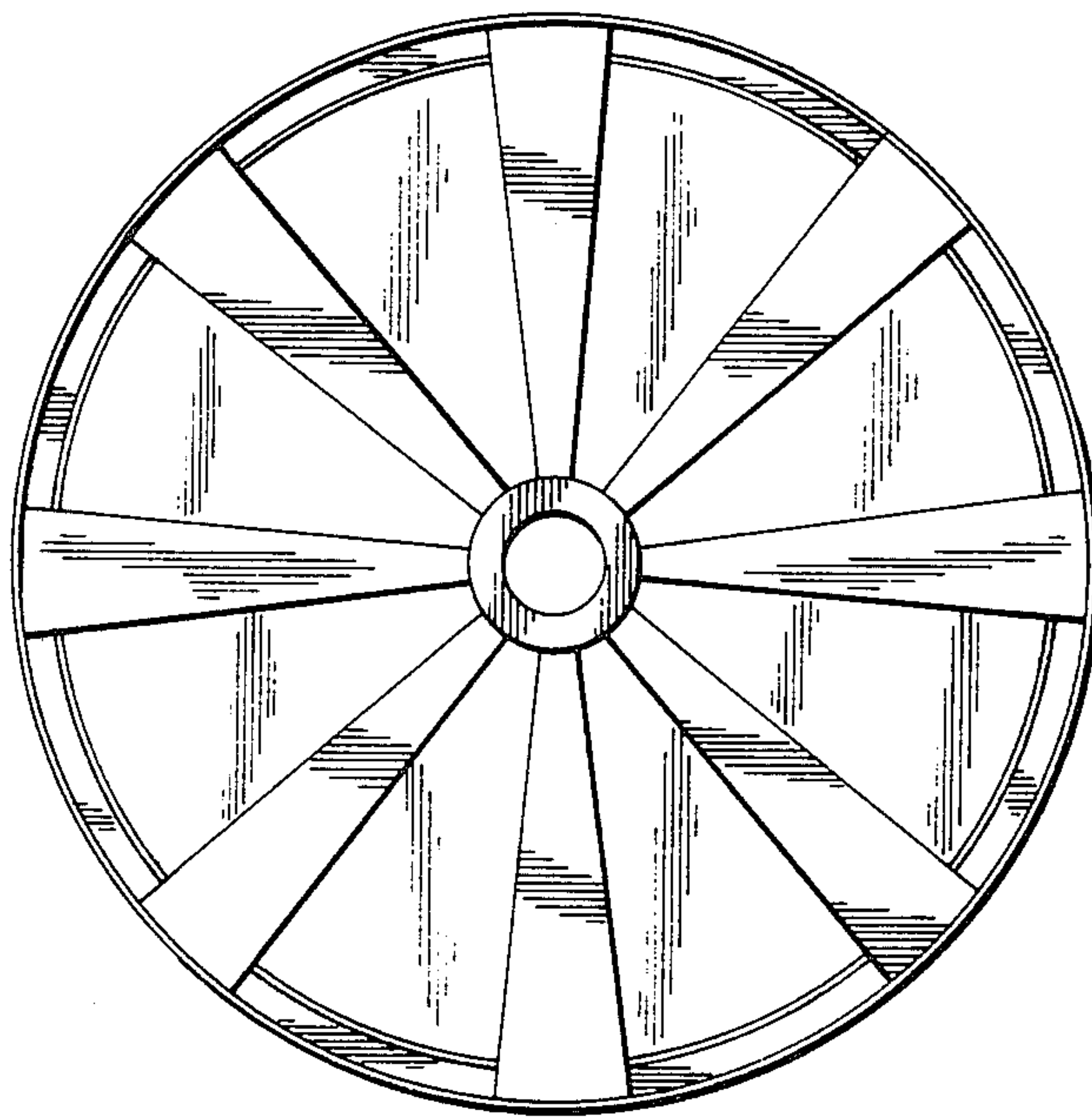


FIG.3

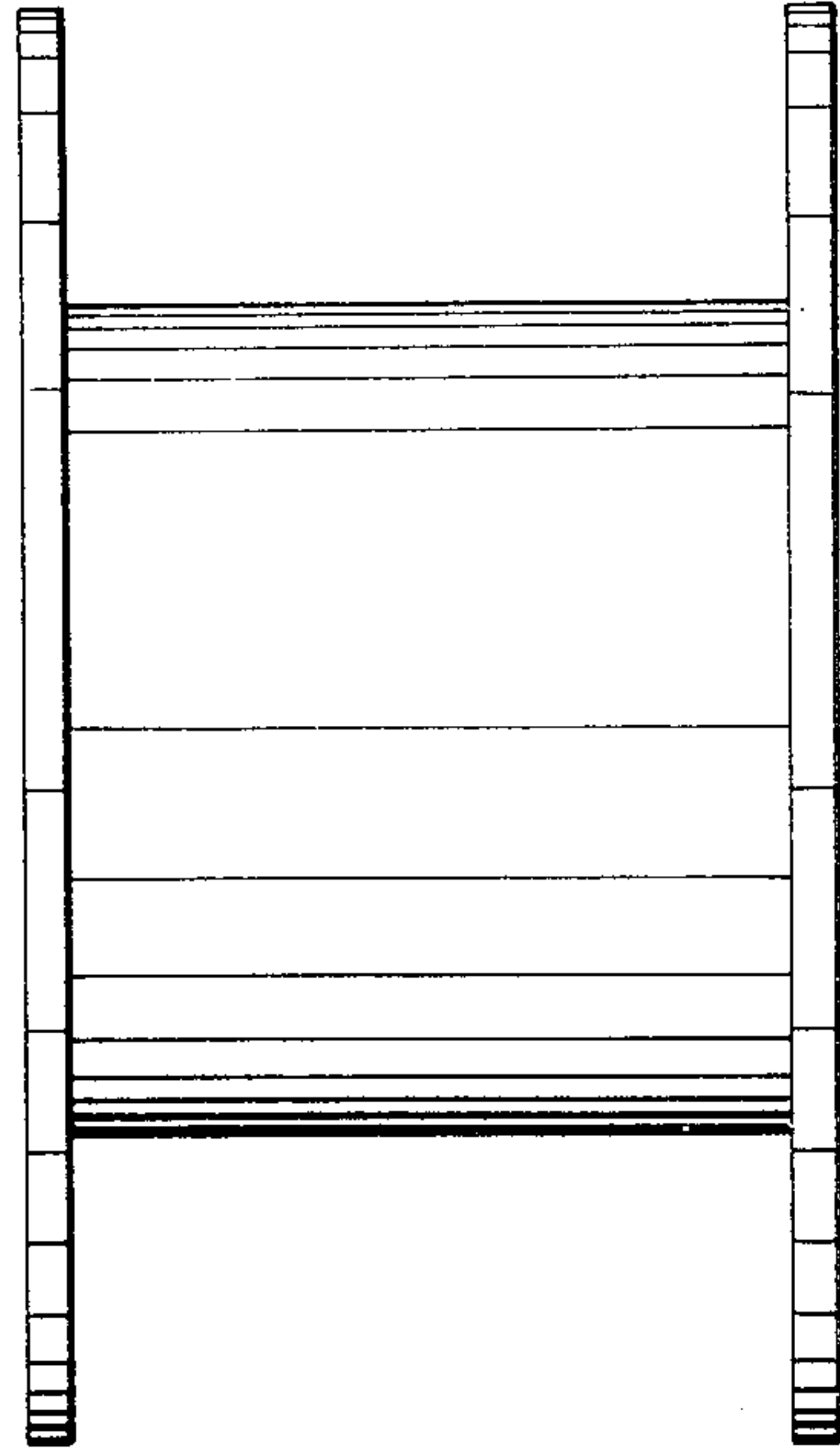


FIG.4

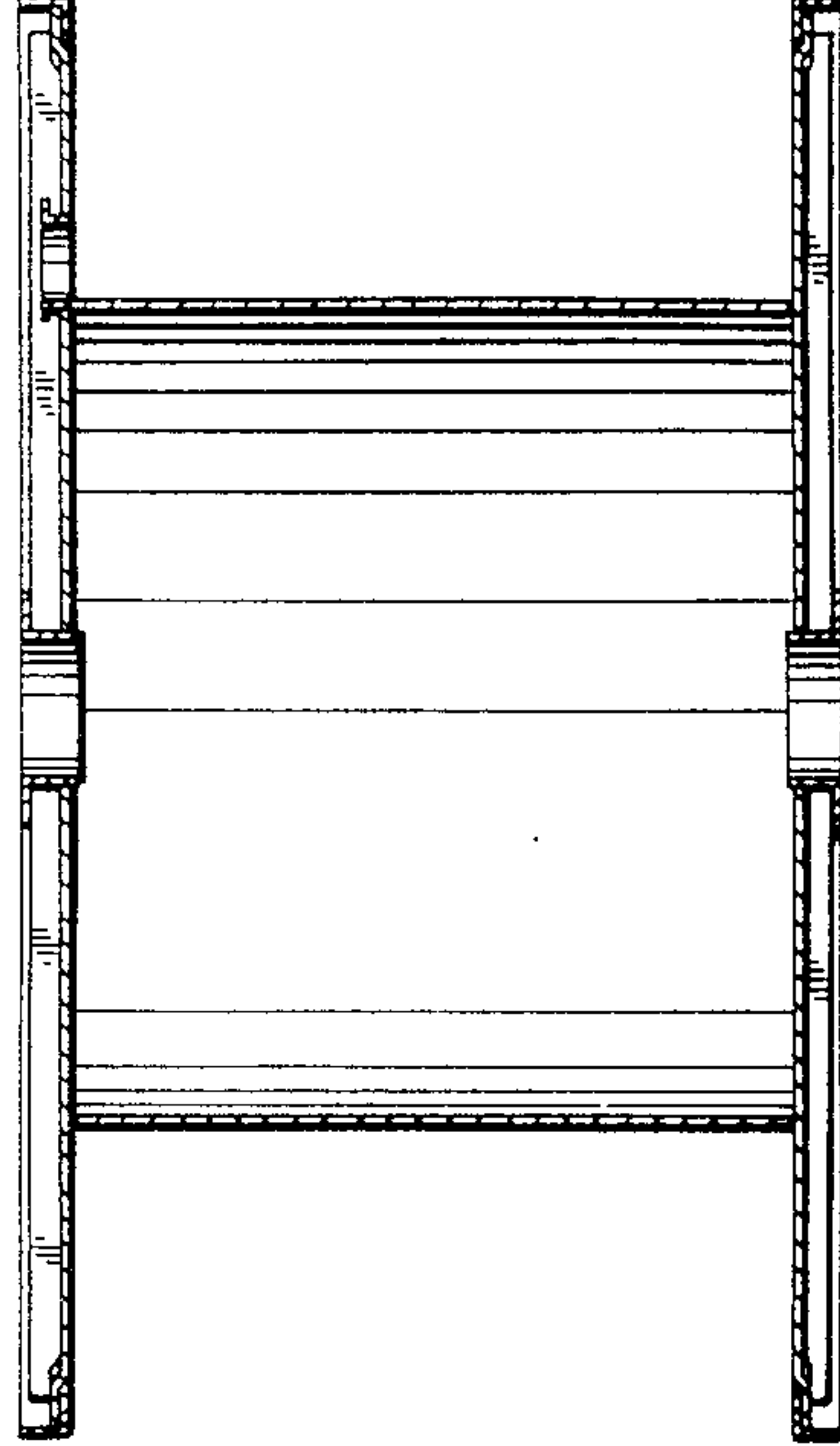


FIG.5

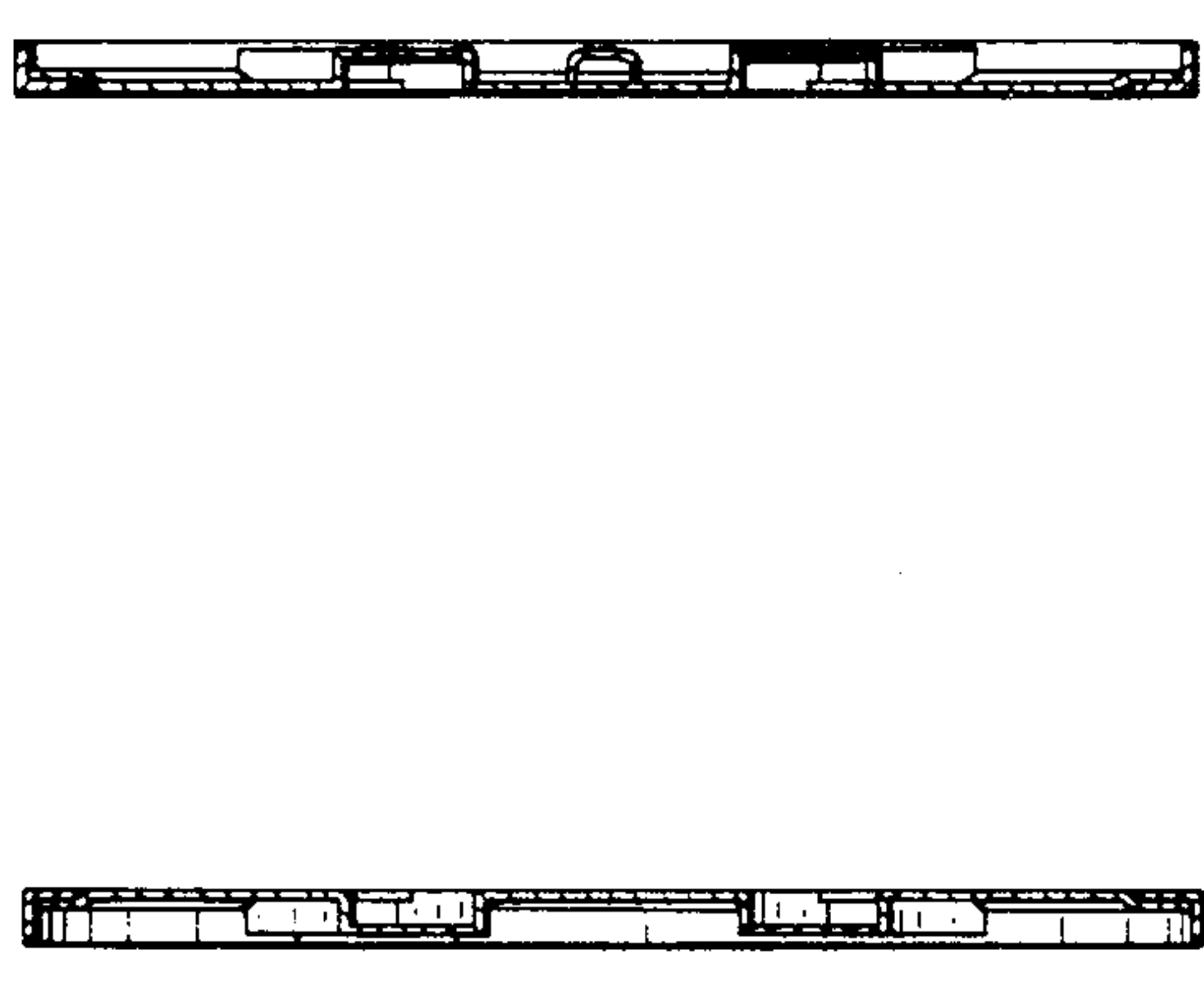


FIG.6

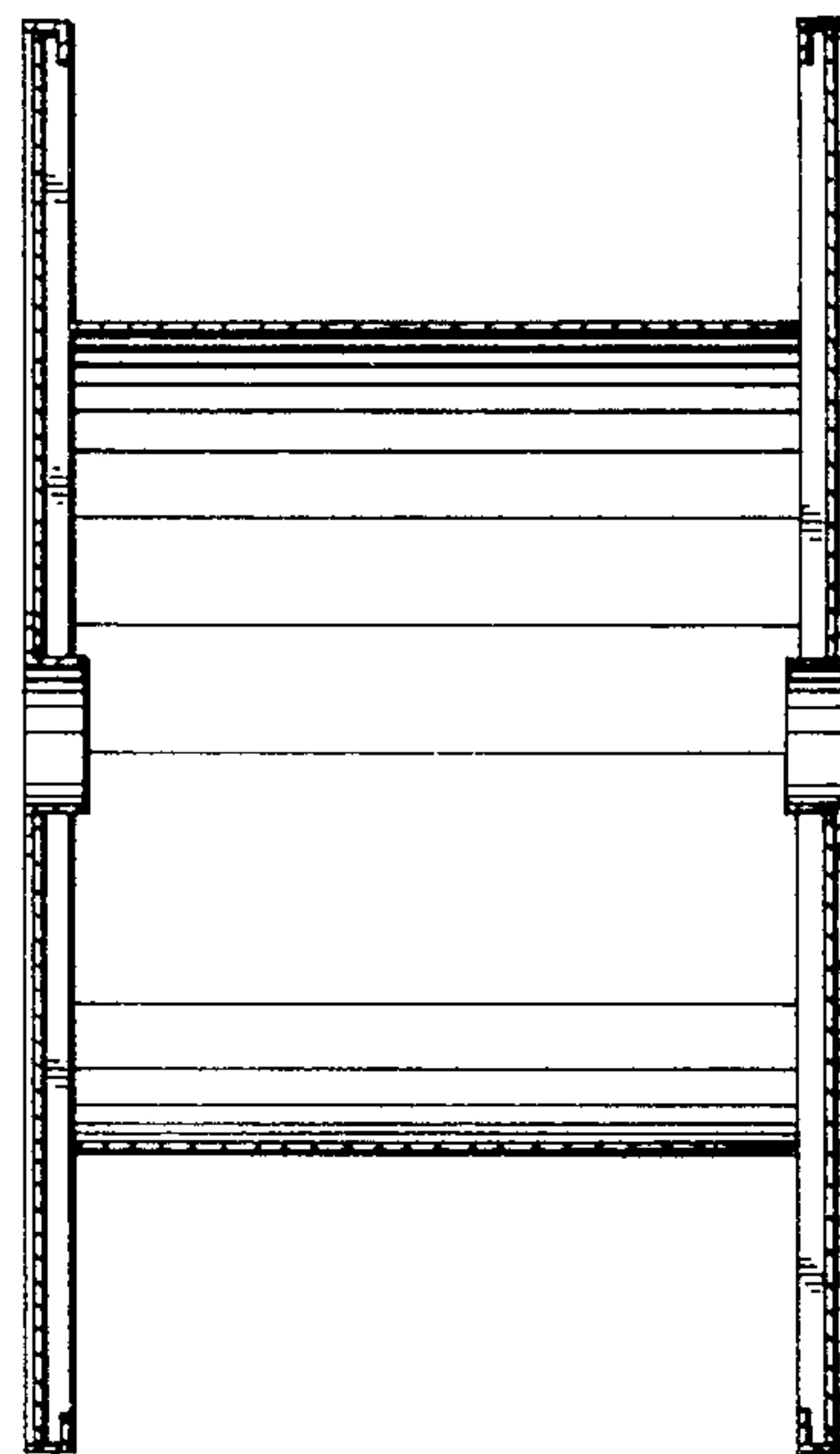


FIG. 7

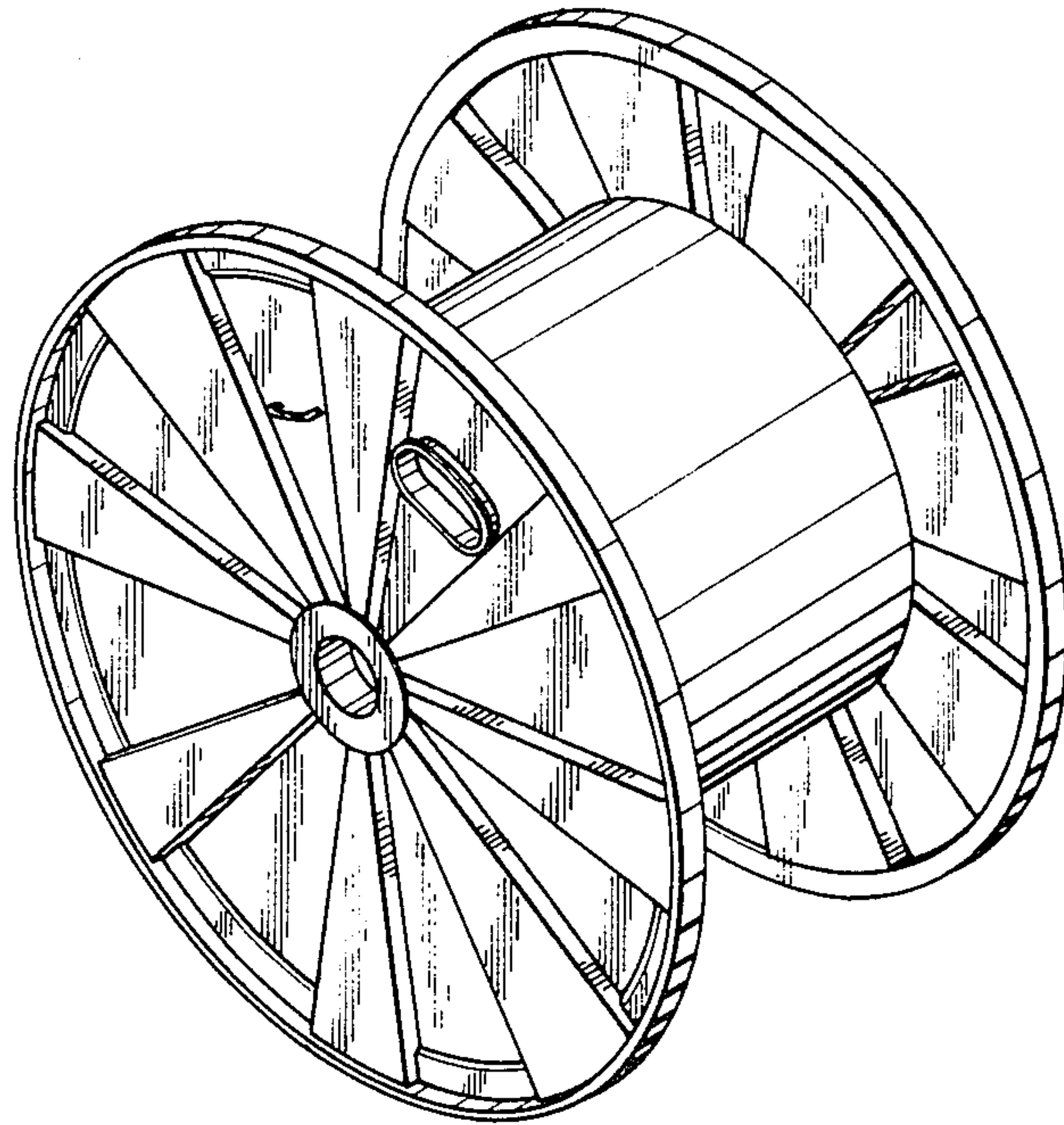


FIG. 8

