

# United States Patent [19]

Neff

[11] Patent Number: **Des. 281,477**

[45] Date of Patent: **\*\* Nov. 26, 1985**

[54] RACK

[76] Inventor: **Paul J. Neff**, 1143 Mississauga Rd.,  
Mississauga, Ontario, Canada, L5H  
2J1

[\*\*] Term: **14 Years**

[21] Appl. No.: **455,637**

[22] Filed: **Jan. 5, 1983**

[30] Foreign Application Priority Data

Nov. 26, 1982 [CA] Canada ..... 26-11-2-8

[52] U.S. Cl. .... D6/574; D6/449

[58] Field of Search ..... D6/553, 556, 559, 567,  
D6/570, 573, 574, 449; D7/71; D19/90;  
211/75, 88

[56]

## References Cited

### U.S. PATENT DOCUMENTS

D. 54,685	3/1920	Salomon .....	D6/574
D. 175,516	9/1955	Lively .....	D6/574
D. 231,136	4/1974	Mauclet .....	D19/90
1,706,081	3/1929	Schulze .....	211/75 X

### OTHER PUBLICATIONS

Karmel Plastics Cat. 1980, p. 9; Napkin Holder Item No. 949; top frame far right center item.

*Primary Examiner*—Carmen H. Vales

*Attorney, Agent, or Firm*—Rogers, Bereskin & Parr

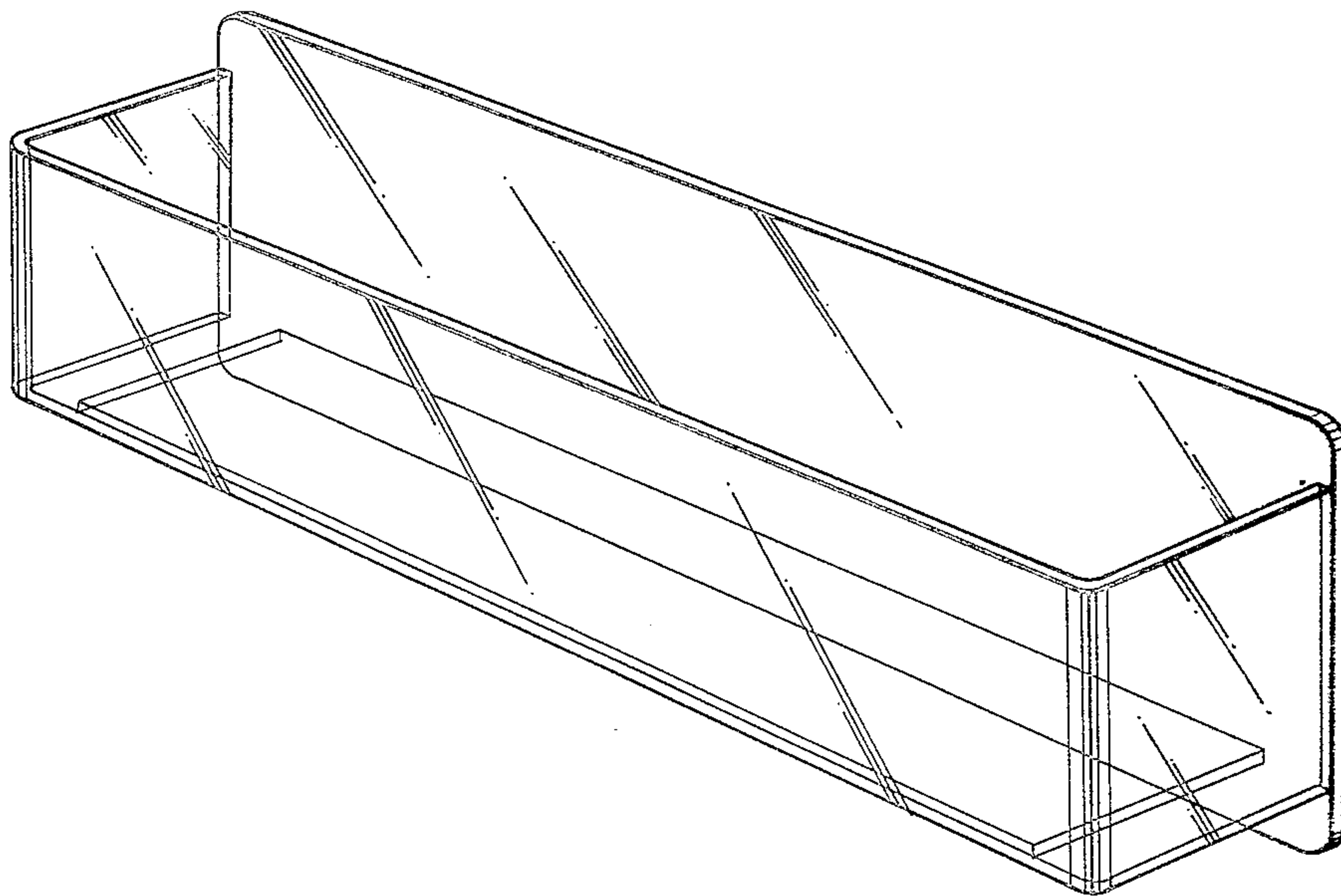
[57]

## CLAIM

The ornamental design for a rack, as shown.

## DESCRIPTION

FIG. 1 is a front perspective view of a rack showing my new design; and,  
FIG. 2 is a rear perspective view thereof.



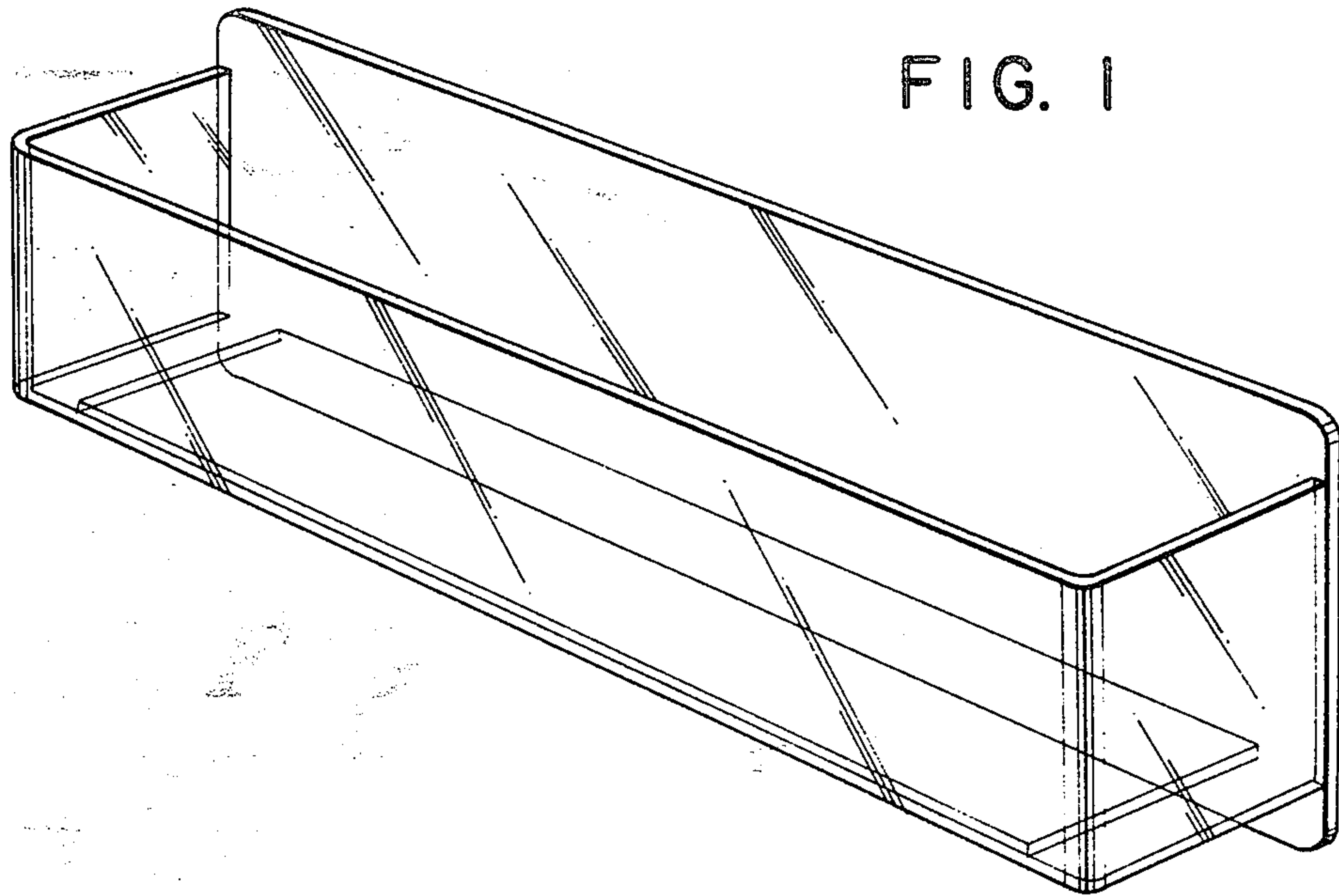


FIG. 1

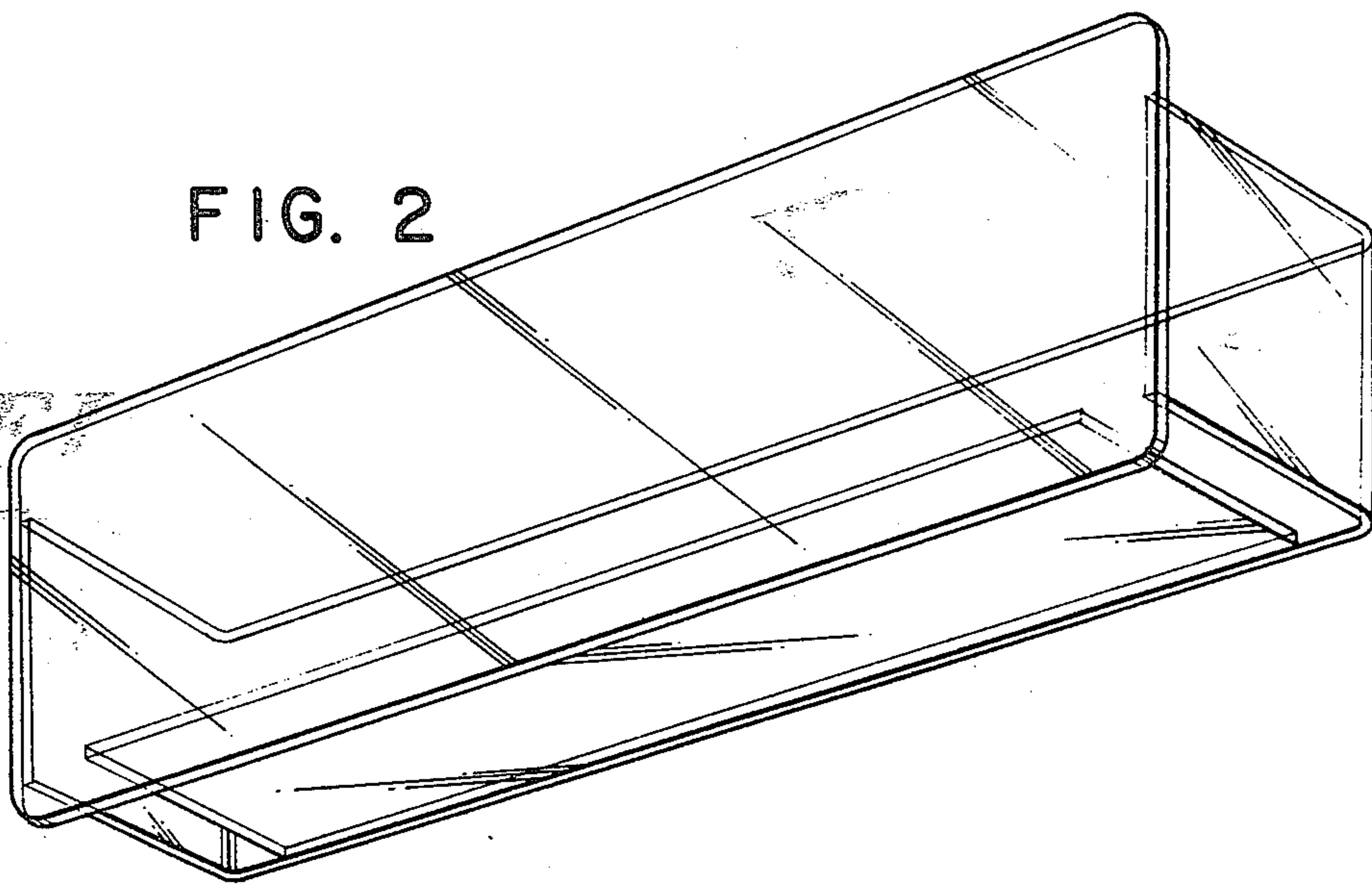


FIG. 2