

[54] **DESK FOR FILING CANCELLED CHECKS**

[56] **References Cited**

[75] **Inventors:** Peter M. Braunschweig, Orchard Park; Thomas J. Ruffles, Jr., Tonowanda, both of N.Y.

[73] **Assignee:** Astronics Corporation, Orchard Park, N.Y.

[**] **Term:** 14 Years

[21] **Appl. No.:** 520,437

[22] **Filed:** Aug. 4, 1983

[52] **U.S. Cl.** D6/426; D6/449; D6/490

[58] **Field of Search** D6/420, 422, 426, 449, D6/480, 490; 312/194, 195, 196

U.S. PATENT DOCUMENTS

D. 105,836	8/1937	Brainard	D6/426
D. 184,530	3/1959	McCarthy et al.	D6/426
D. 276,199	11/1984	Kwiecinski et al.	D6/420
D. 278,771	5/1985	Koguma	D6/426

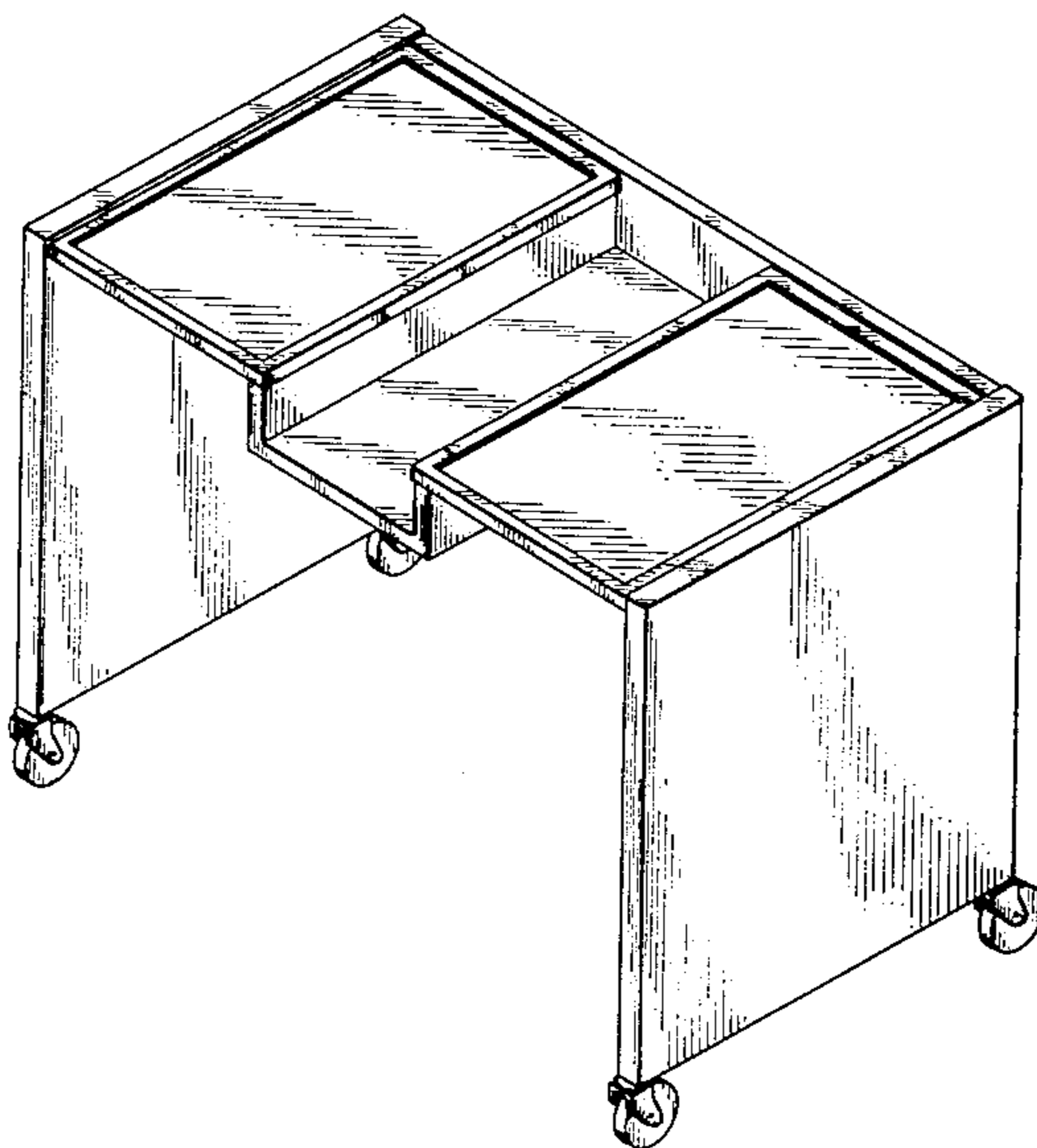
Primary Examiner—Bruce W. Dunkins
Attorney, Agent, or Firm—Shlesinger, Fitzsimmons & Shlesinger

[57] **CLAIM**

The ornamental design for a desk for filing cancelled checks, substantially as shown.

DESCRIPTION

FIG. 1 is a top plan view of a desk for filing cancelled checks showing our new design; FIG. 2 is a front elevational view thereof; FIG. 3 is a rear elevational view thereof; FIG. 4 is a right end elevational view thereof; and FIG. 5 is a perspective view thereof.



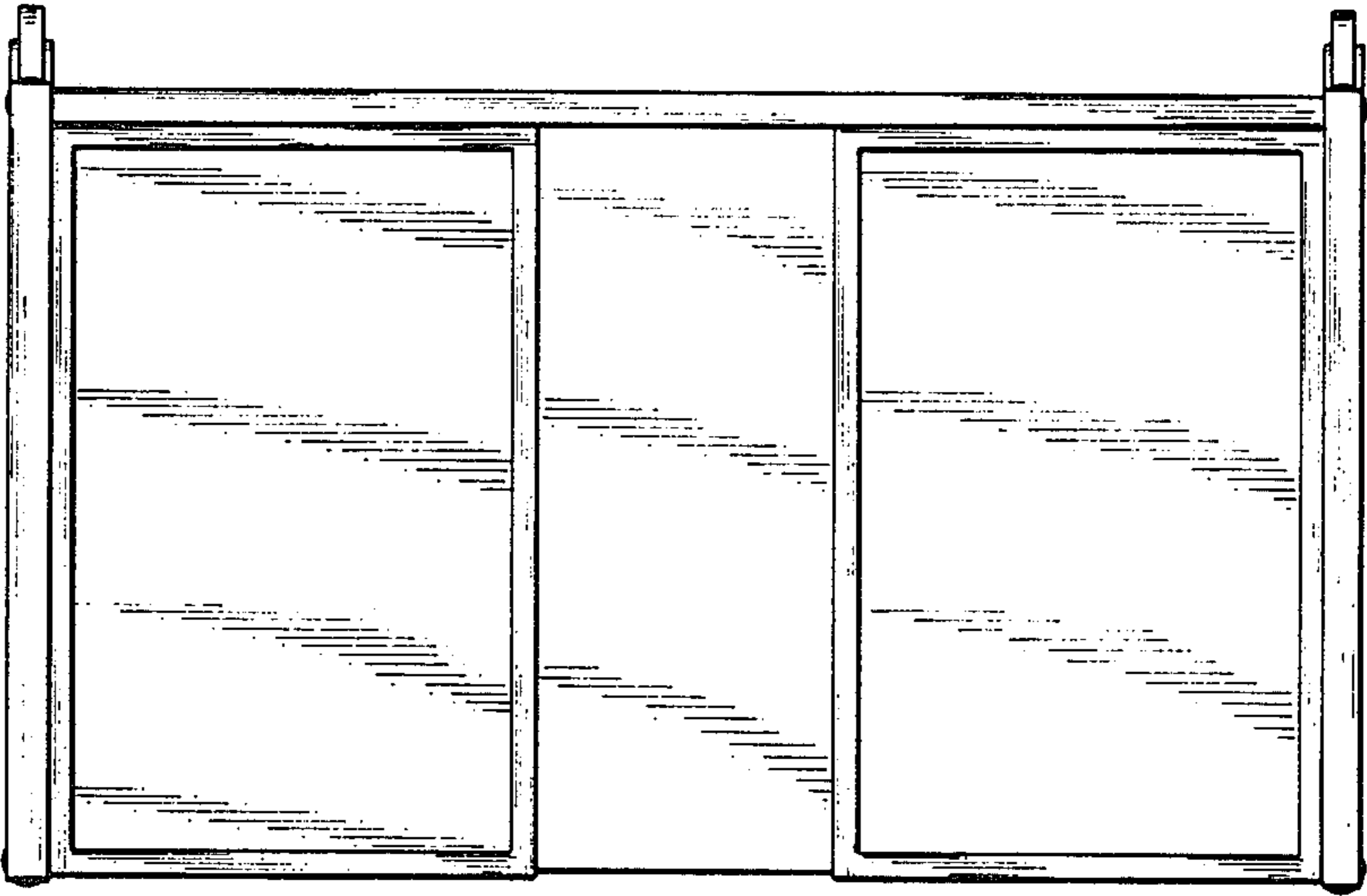


FIG. 1

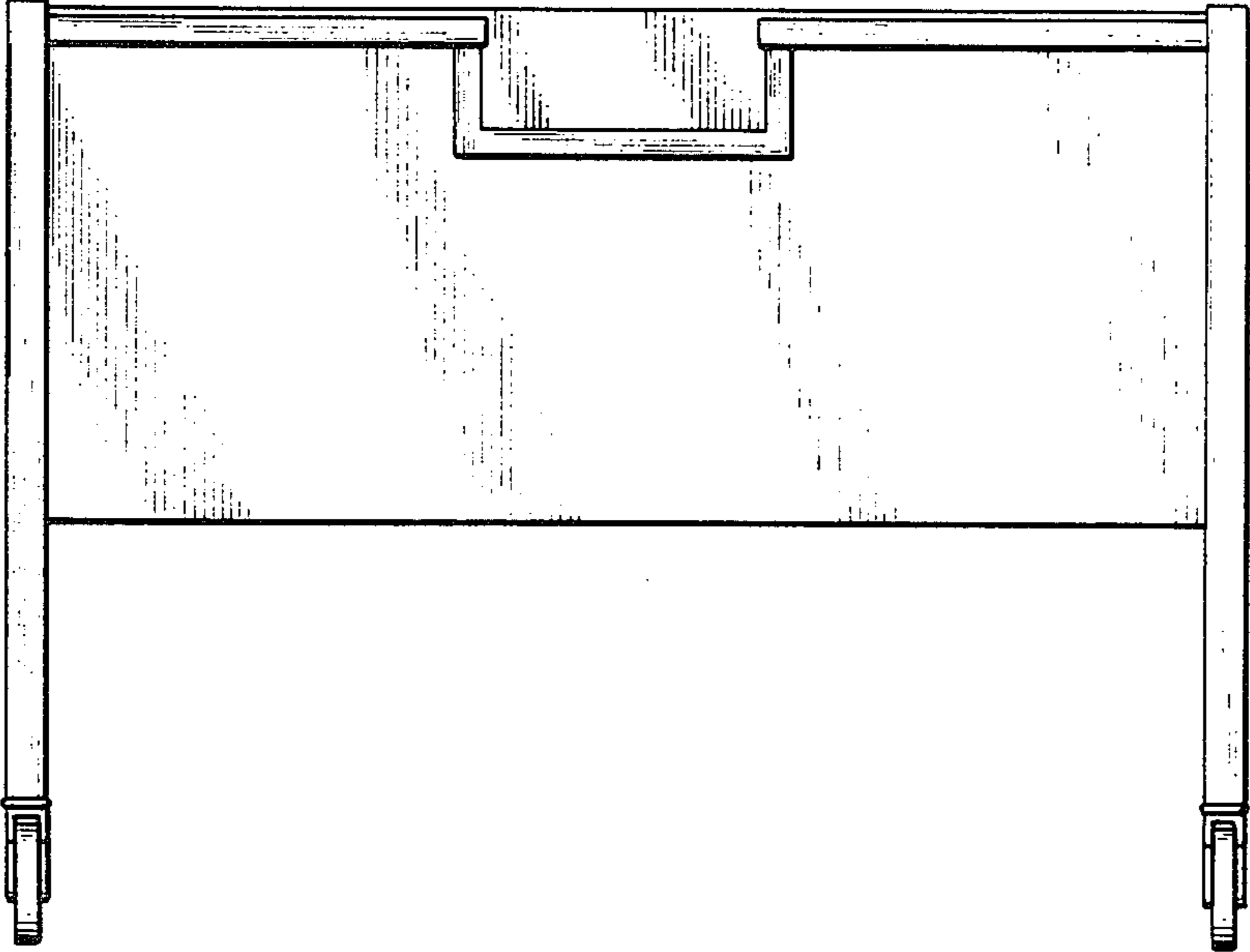


FIG. 2

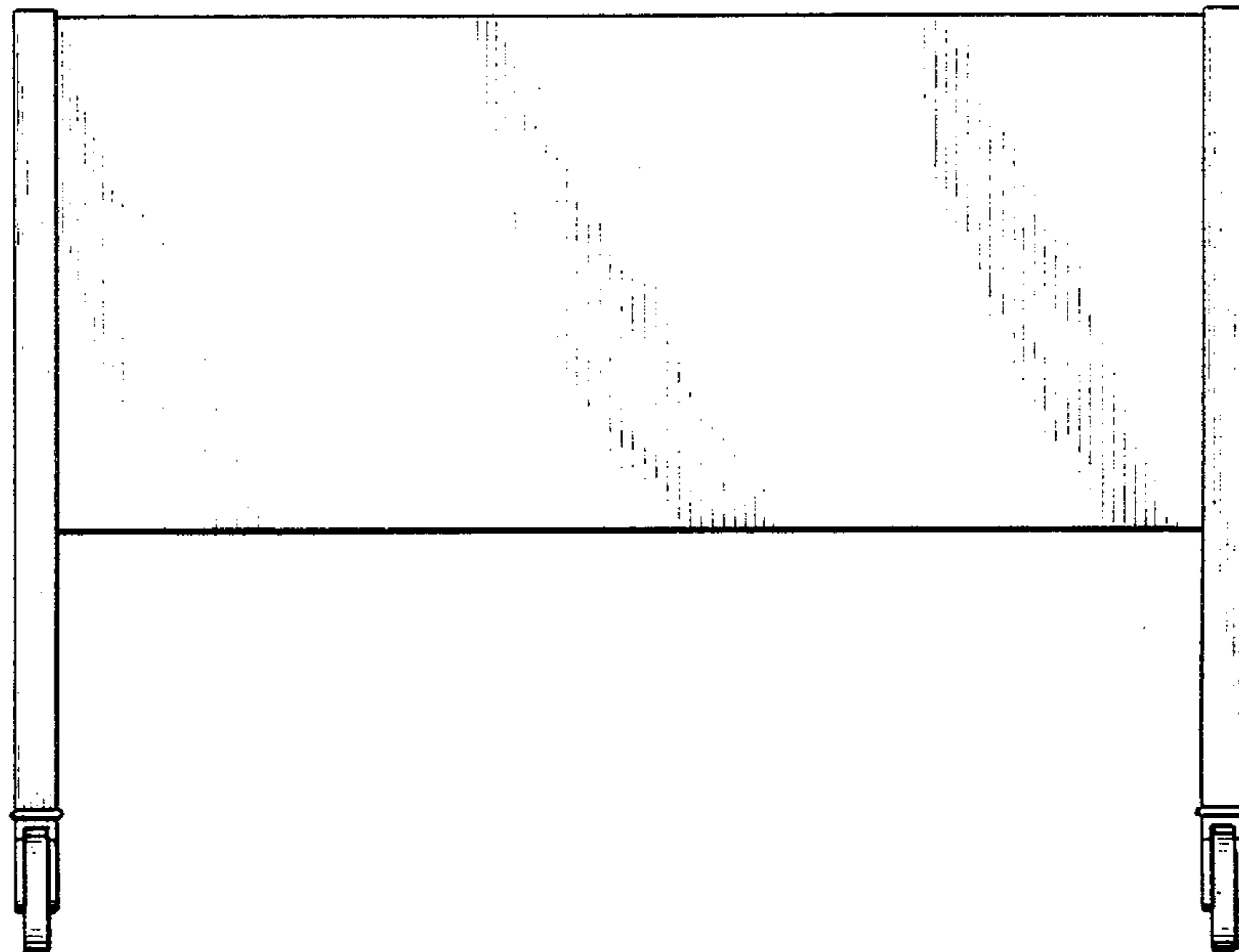


FIG. 3

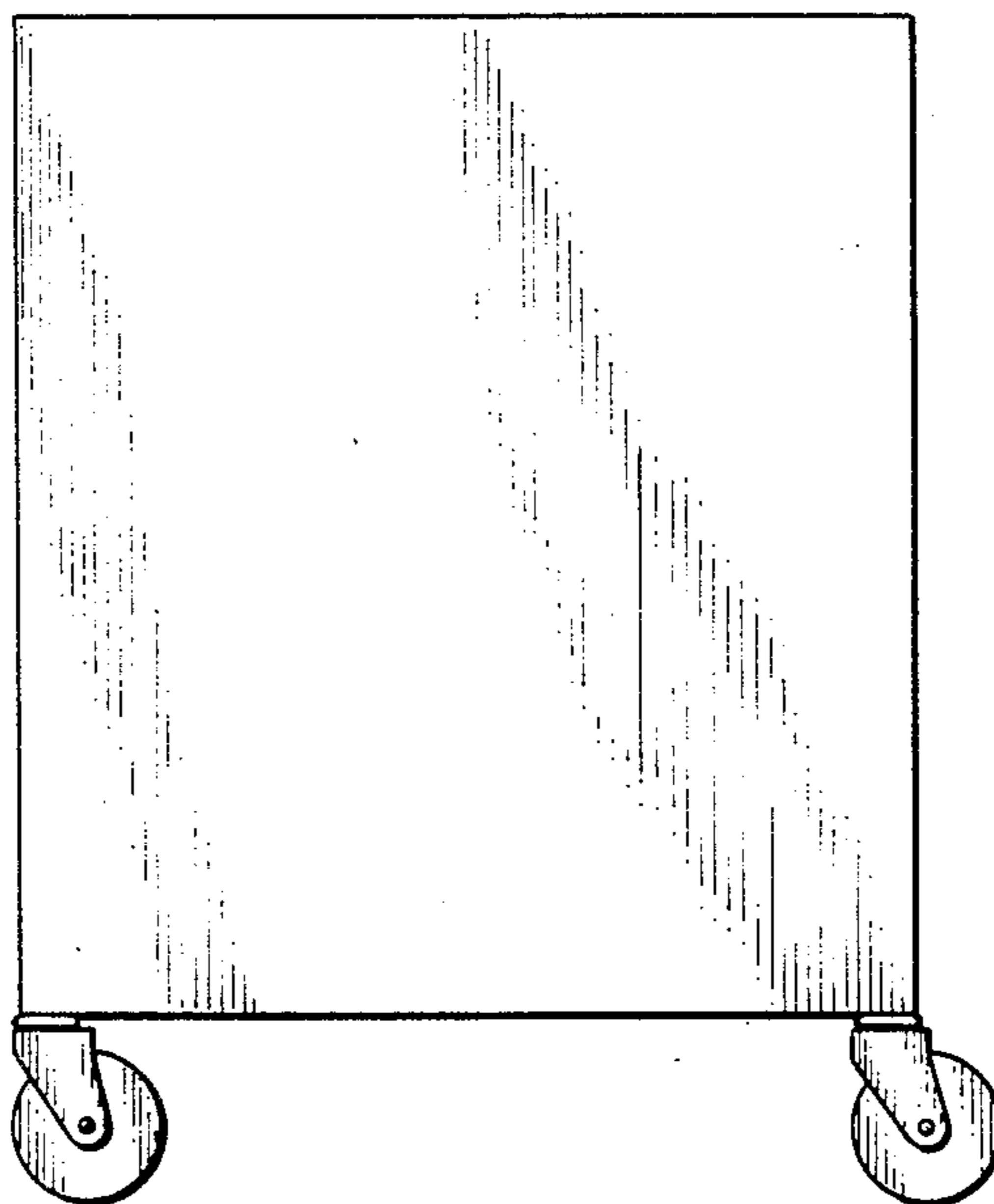


FIG. 4

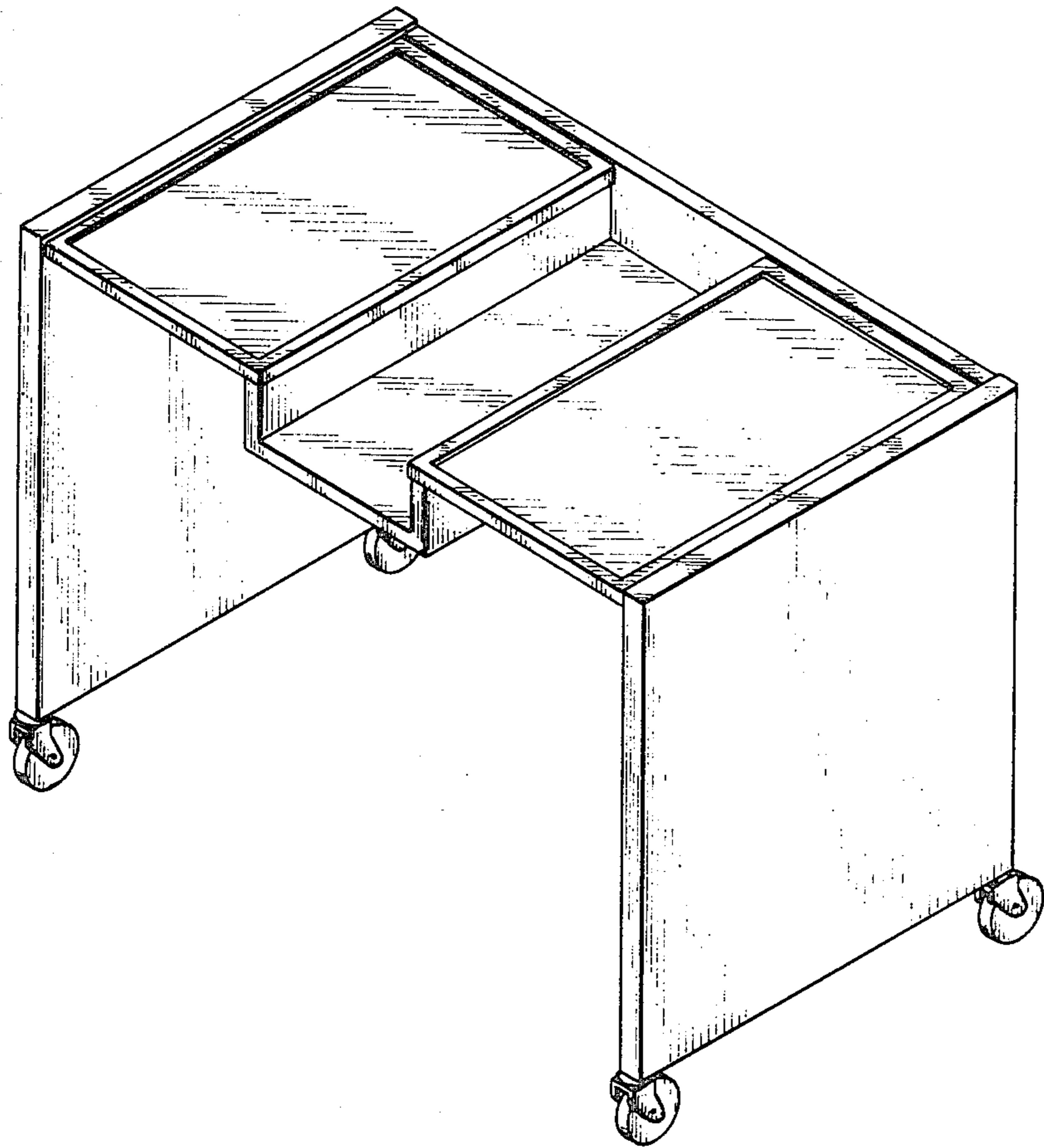


FIG. 5