

[54] **CHAIR**

Primary Examiner—Bruce W. Dunkins

[76] **Inventor:** Mark Singer, 1663 Cambridge St.,
Cambridge, Mass. 02138

[57] **CLAIM**

The ornamental design for a chair, as shown and described.

[**] **Term:** 14 Years

[21] **Appl. No.:** 399,377

DESCRIPTION

[22] **Filed:** Jul. 19, 1982

FIG. 1 is an isometric view from above showing my new design;

[52] **U.S. Cl.** D6/379; D6/368;
D6/371

FIG. 2 is an isometric view of the side opposite that of FIG. 1;

[58] **Field of Search** D6/37, 41-47,
D6/75, 334, 368, 371, 378, 379, 380

FIG. 3 is a view in front elevation;

FIG. 4 is a view in side elevation;

FIG. 5 is a view in rear elevation;

FIG. 6 is a top plan view;

FIG. 7 is a bottom plan view;

FIG. 8 is an isometric view from above showing a second embodiment of my design; and

FIG. 9 is an isometric view from the side opposite that of FIG. 8.

[56]

References Cited

U.S. PATENT DOCUMENTS

D. 205,507 8/1966 Melchior D6/75

OTHER PUBLICATIONS

Interiors, Sep. 1980, p. 120, Chair lower left center.

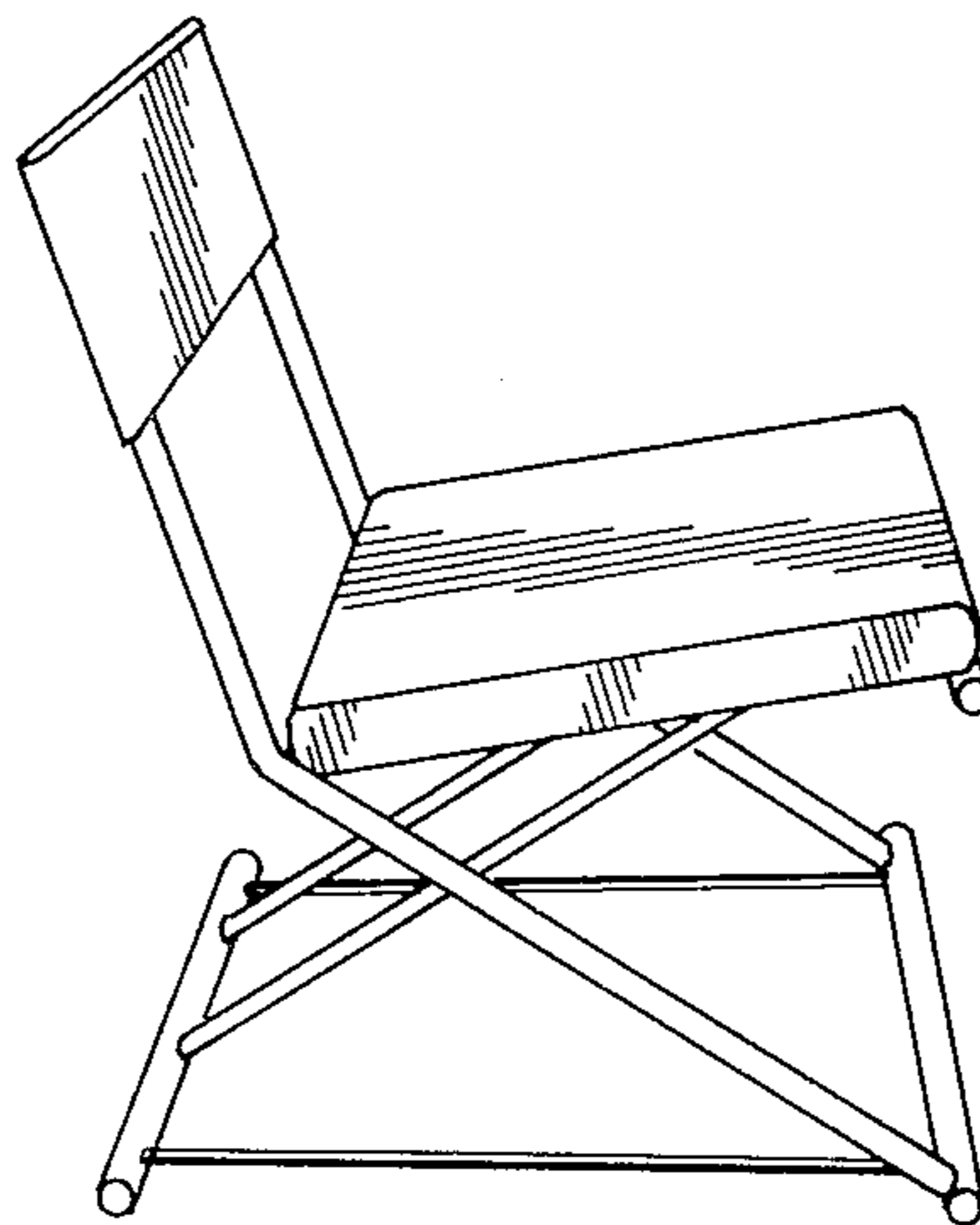


FIG 1

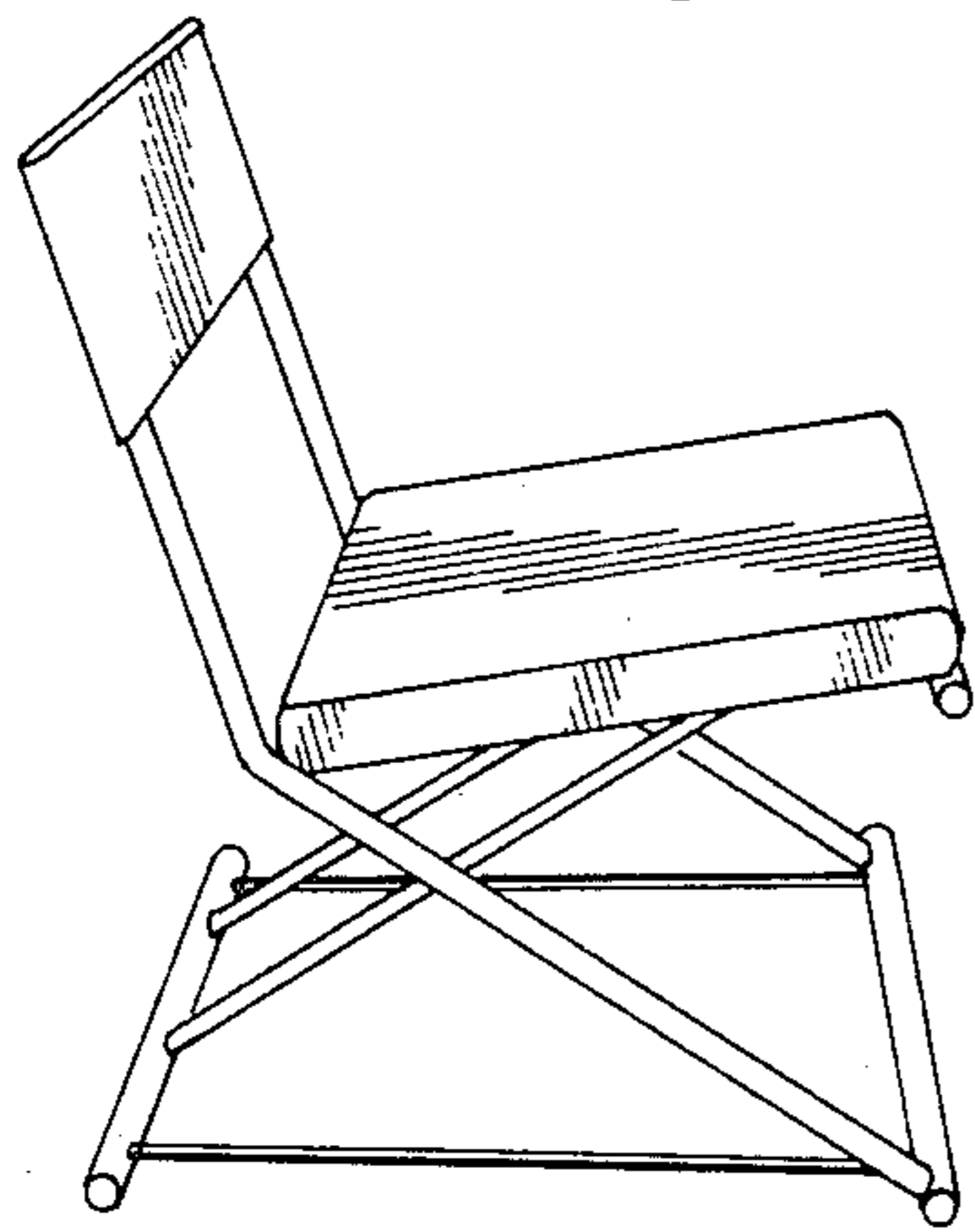


FIG 2

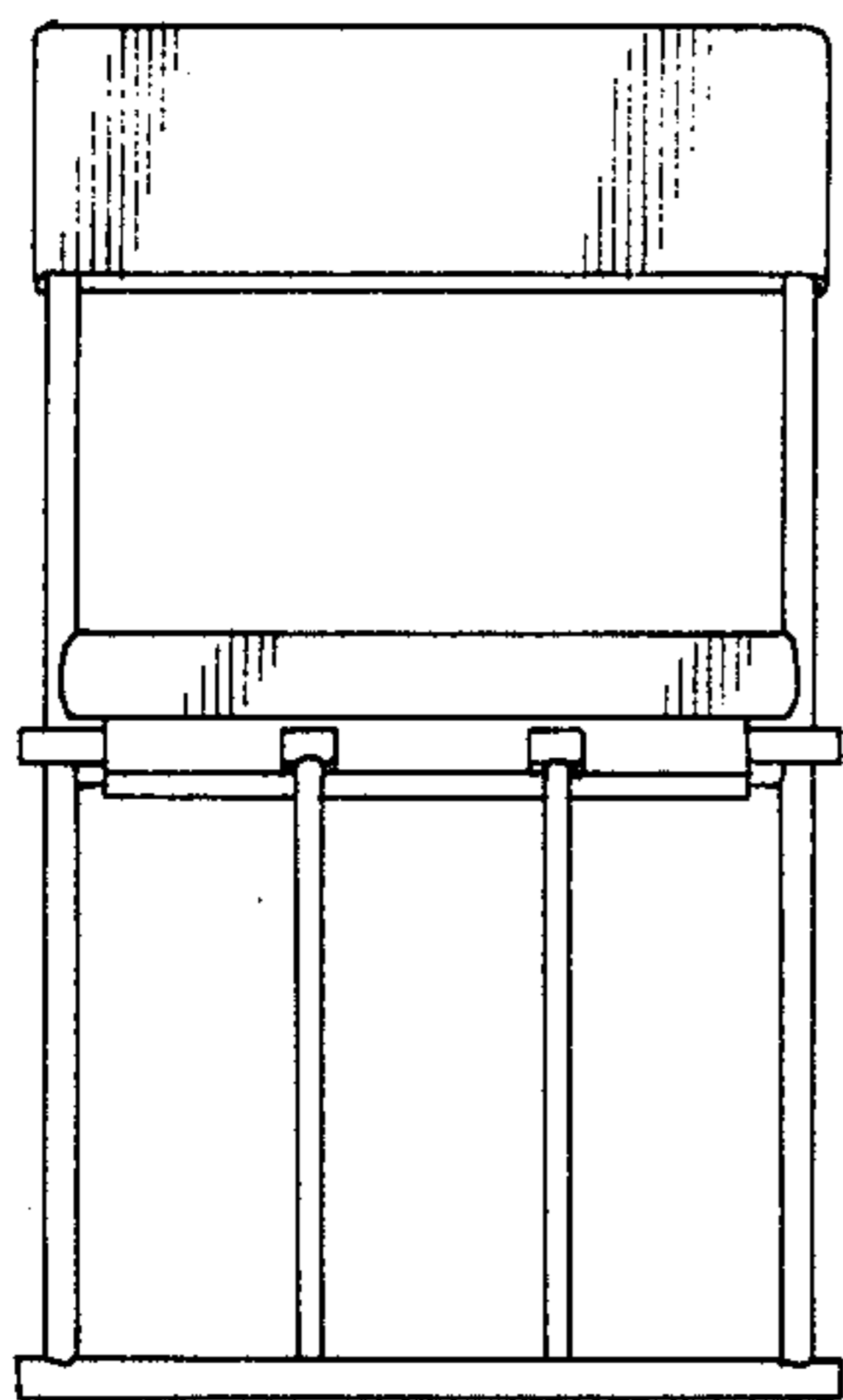
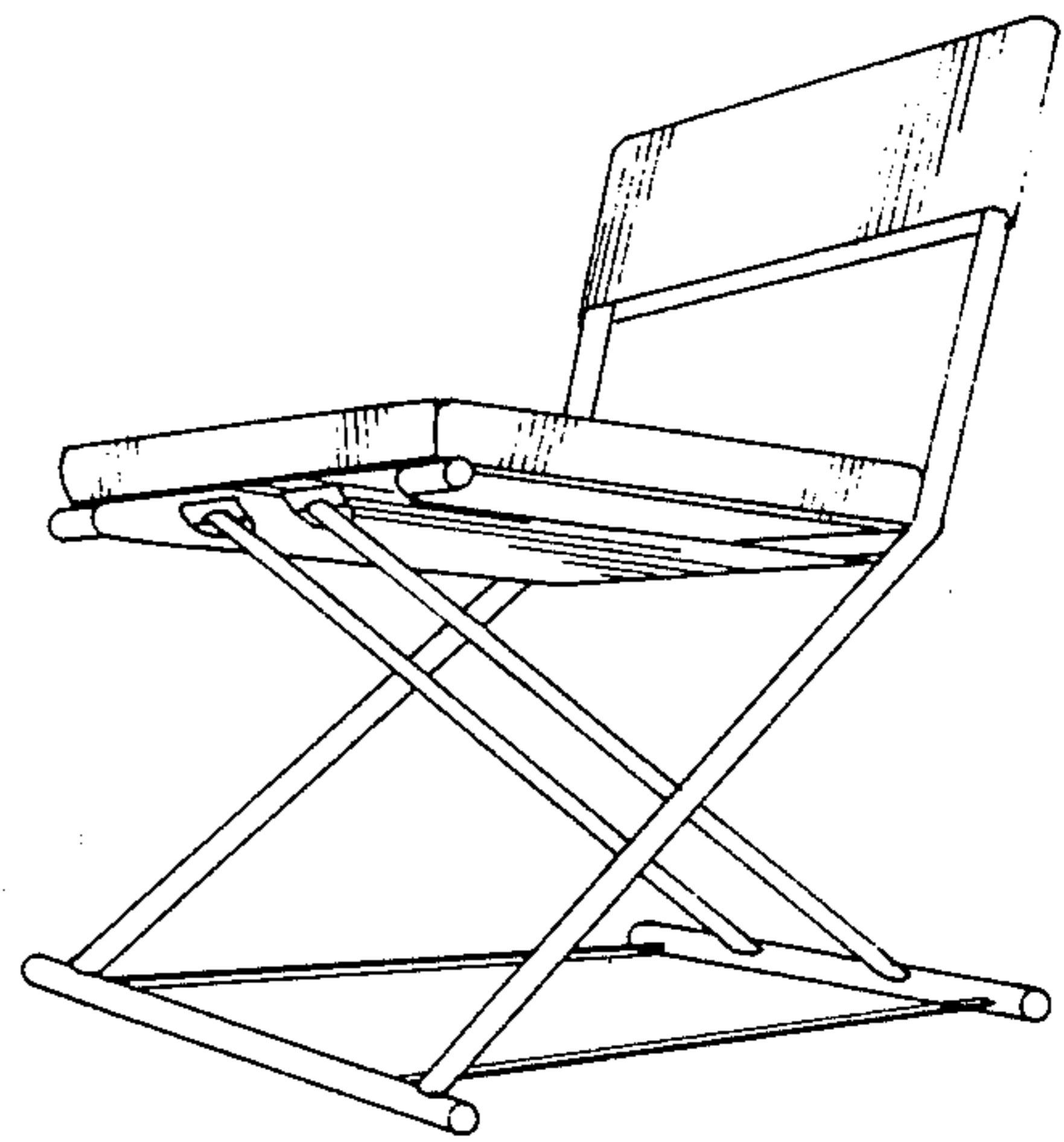


FIG 3

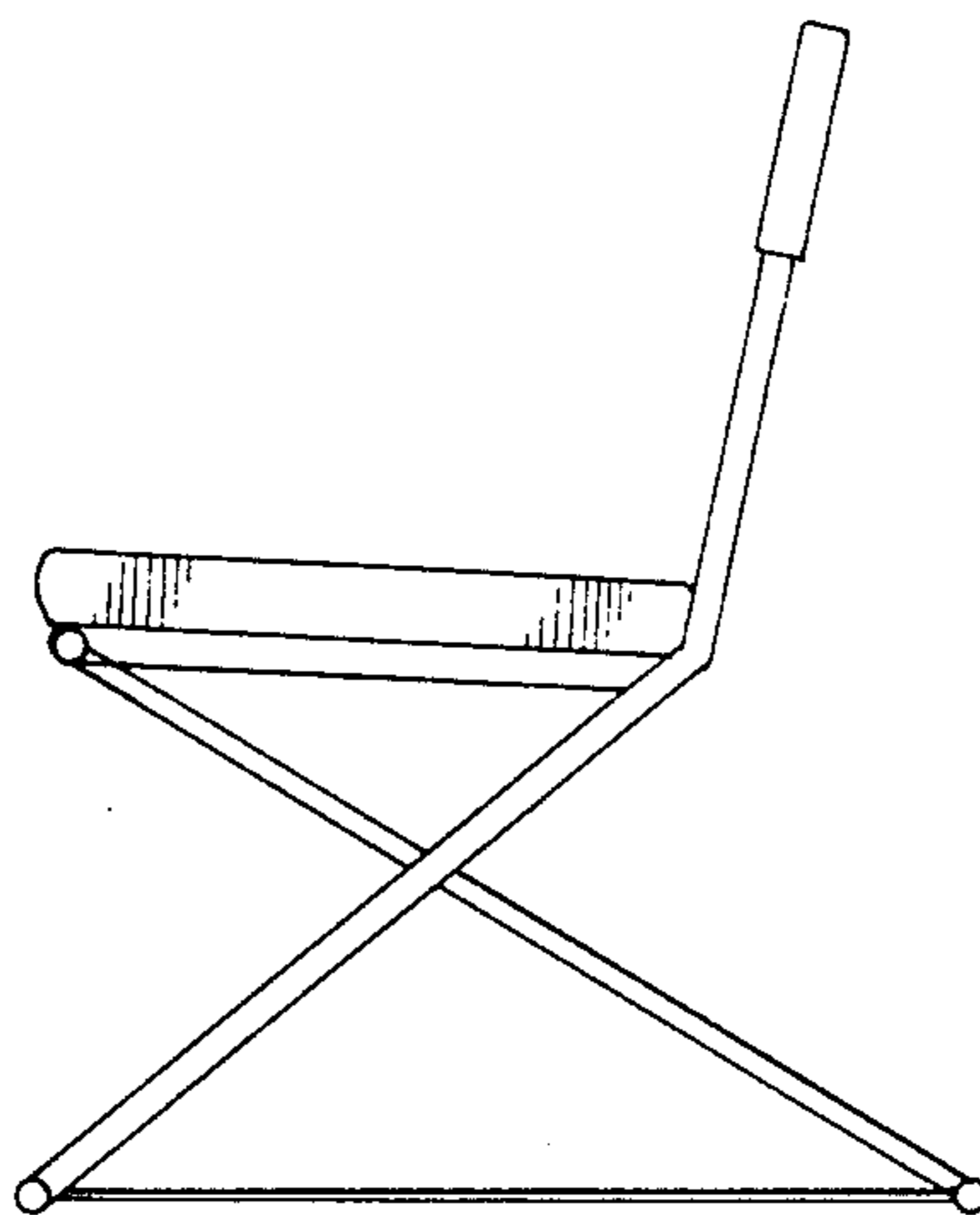


FIG 4

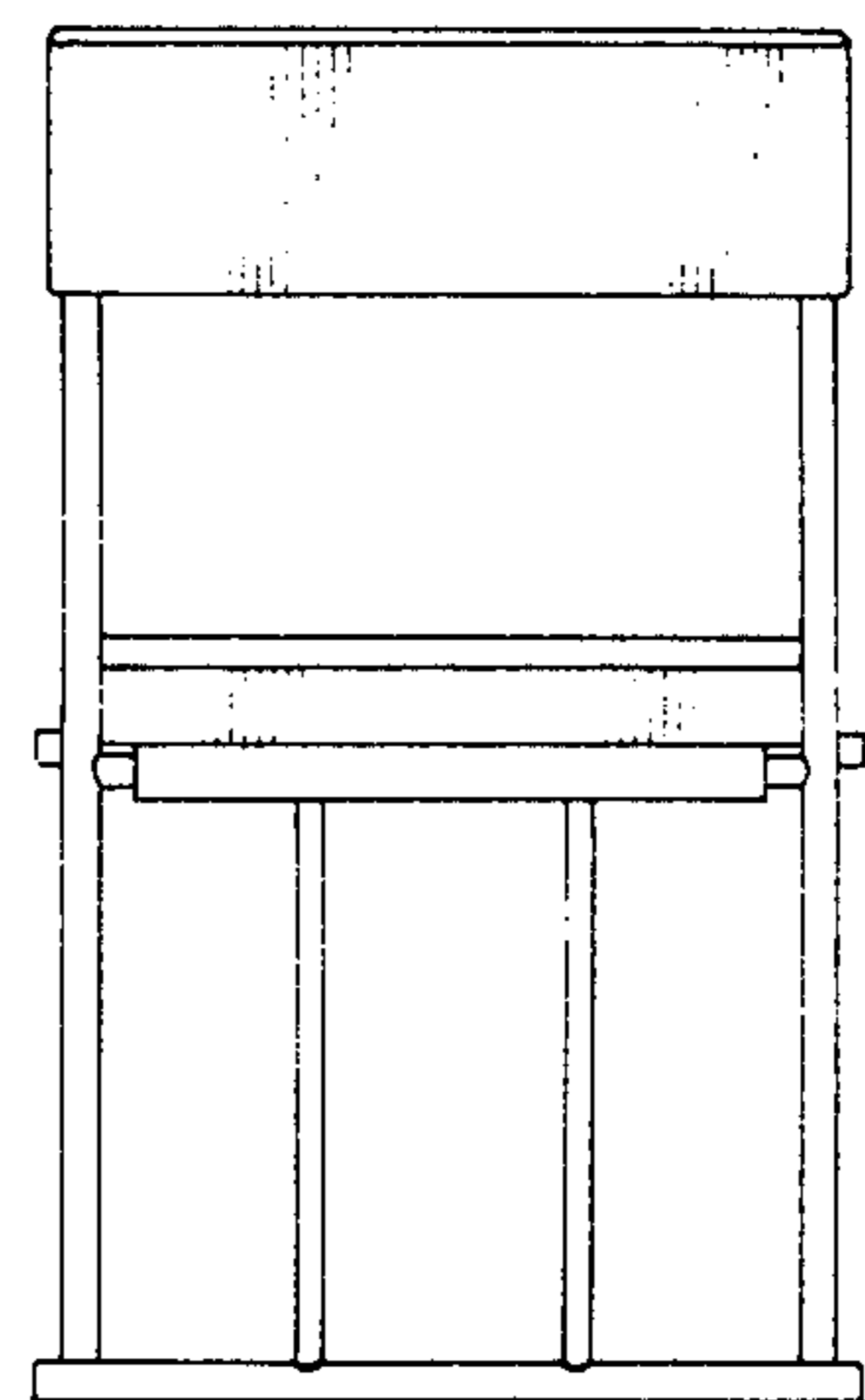


FIG 5

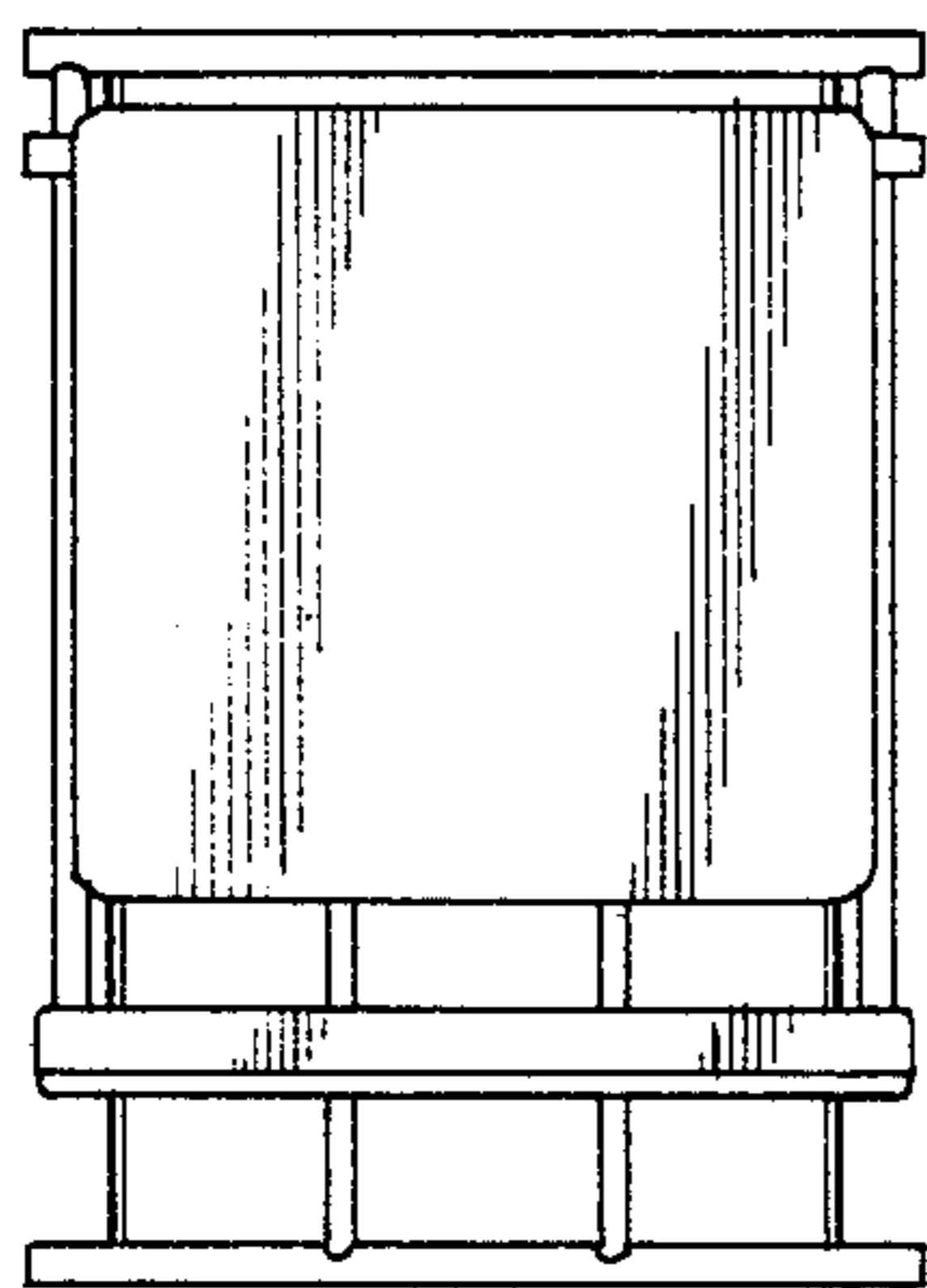


FIG 6

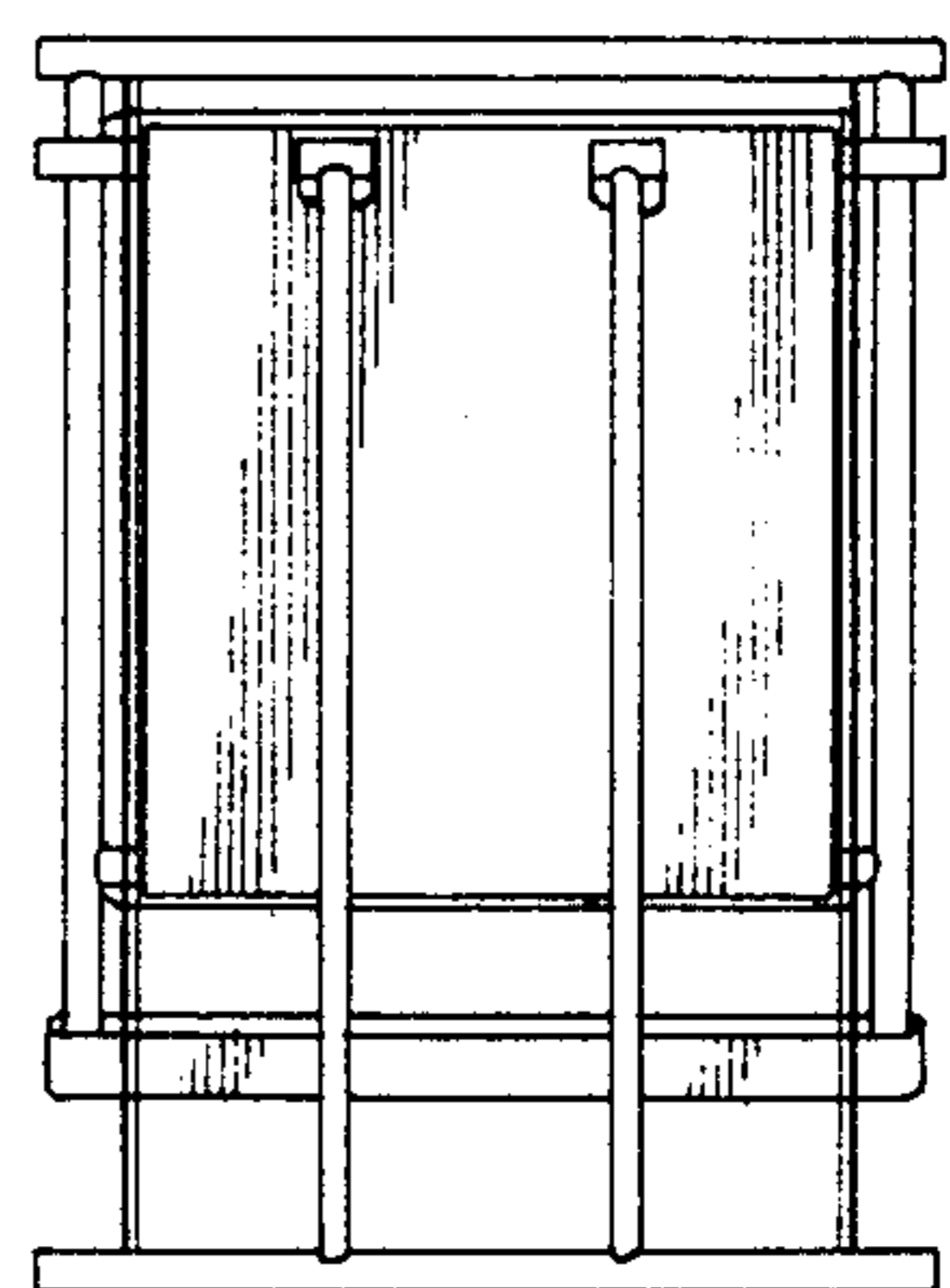


FIG 7

FIG 8

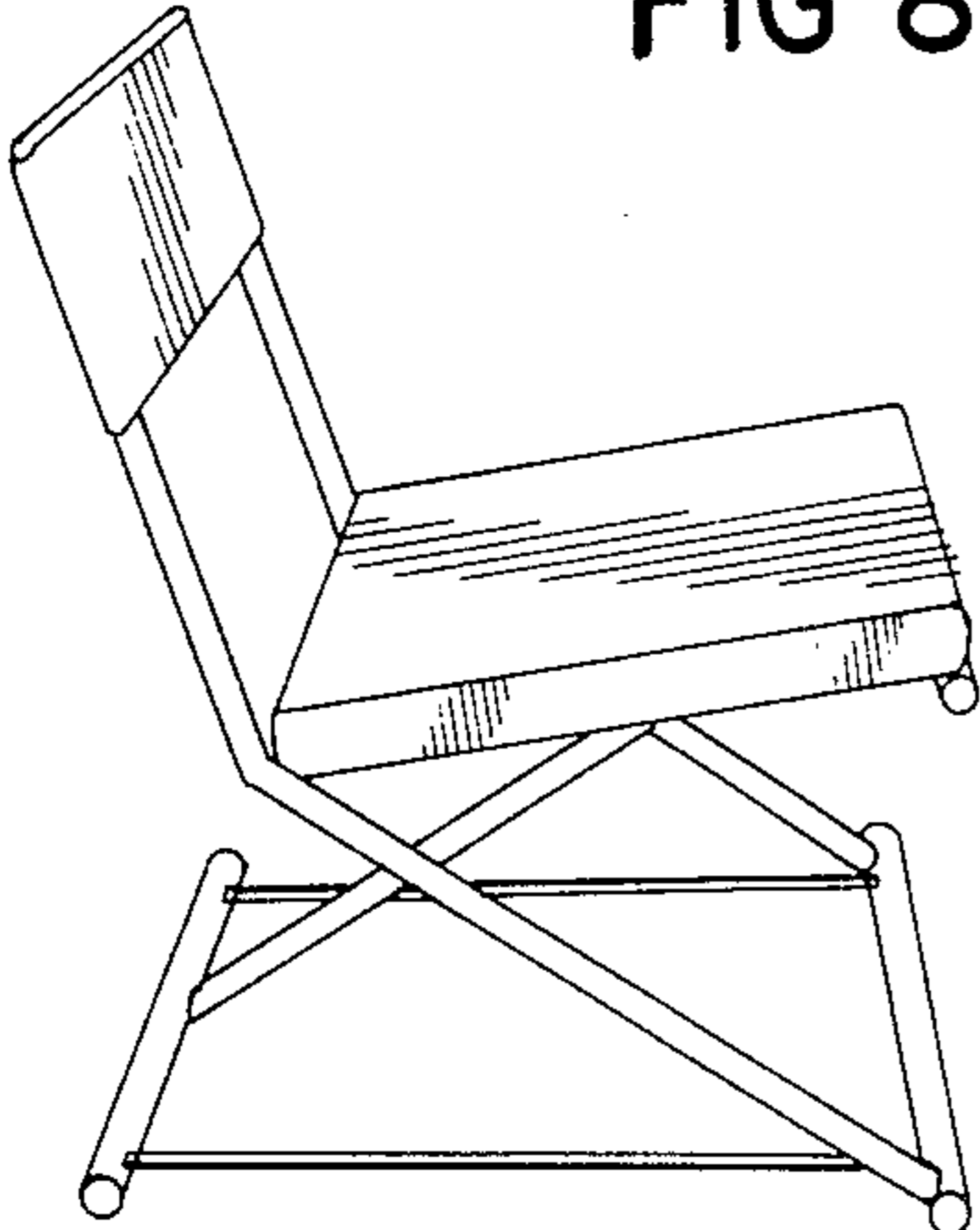


FIG 9

