

[54] GARMENT HANGER

[75] Inventor: John H. Batts, East Grand Rapids, Mich.

[73] Assignee: John Thomas Batts, Inc., Zeeland, Mich.

[\*\*] Term: 14 Years

[21] Appl. No.: 551,428

[22] Filed: Nov. 14, 1983

[52] U.S. Cl. D6/319

[58] Field of Search D6/315, 317-320, D6/323, 324, 327, 328; 211/113; 248/317, 340; 222/85, 87, 92

[56] References Cited

U.S. PATENT DOCUMENTS

- D. 210,434 3/1968 Batts et al. D6/319
- D. 217,746 6/1970 Batts et al. D6/319
- 3,306,506 2/1967 Batts et al. 223/88

FOREIGN PATENT DOCUMENTS

- 0570445 9/1958 Belgium D6/319

- 1368909 6/1964 France D6/319
- 0296974 5/1954 Switzerland D6/319

Primary Examiner—B. J. Bullock

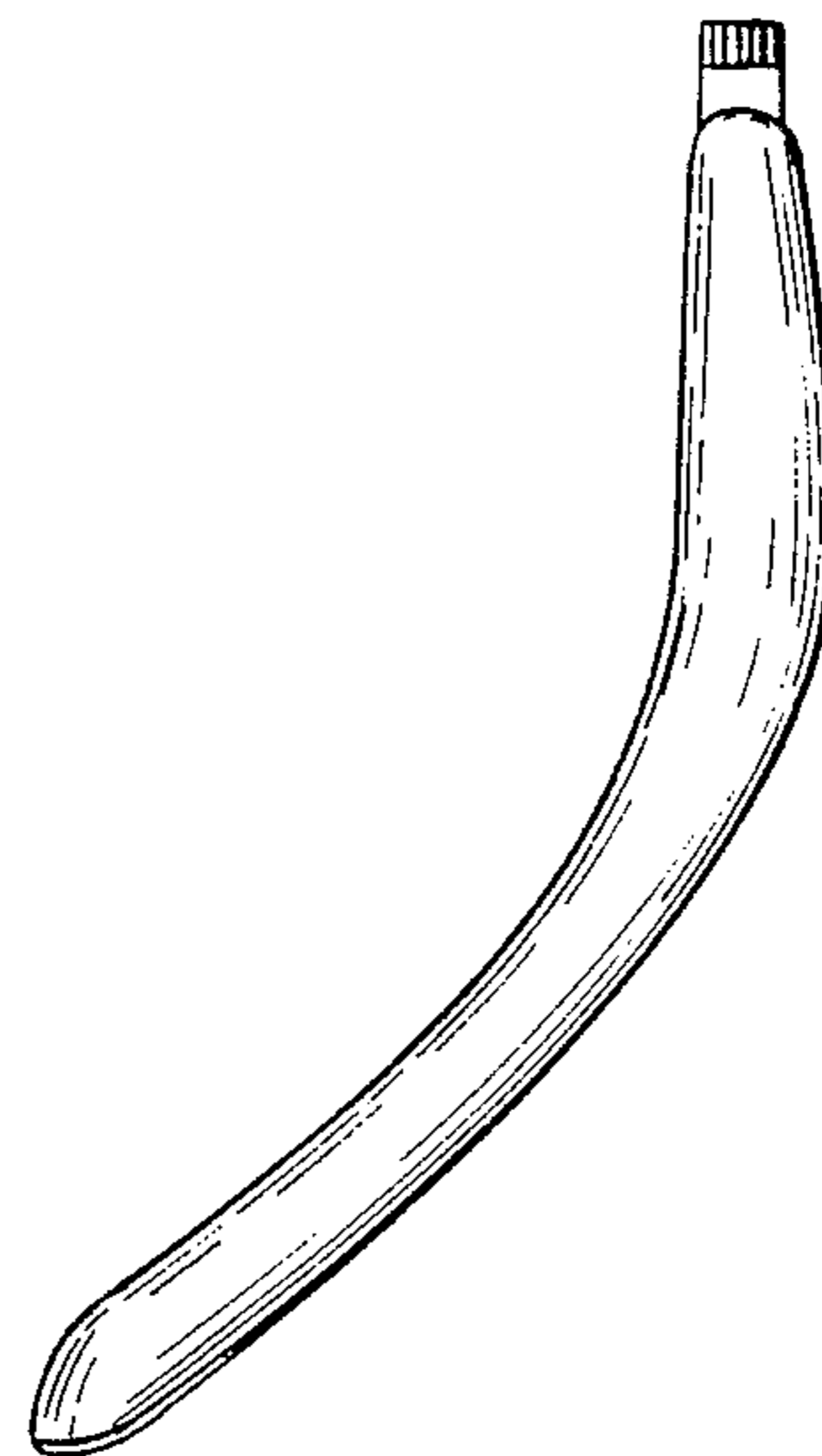
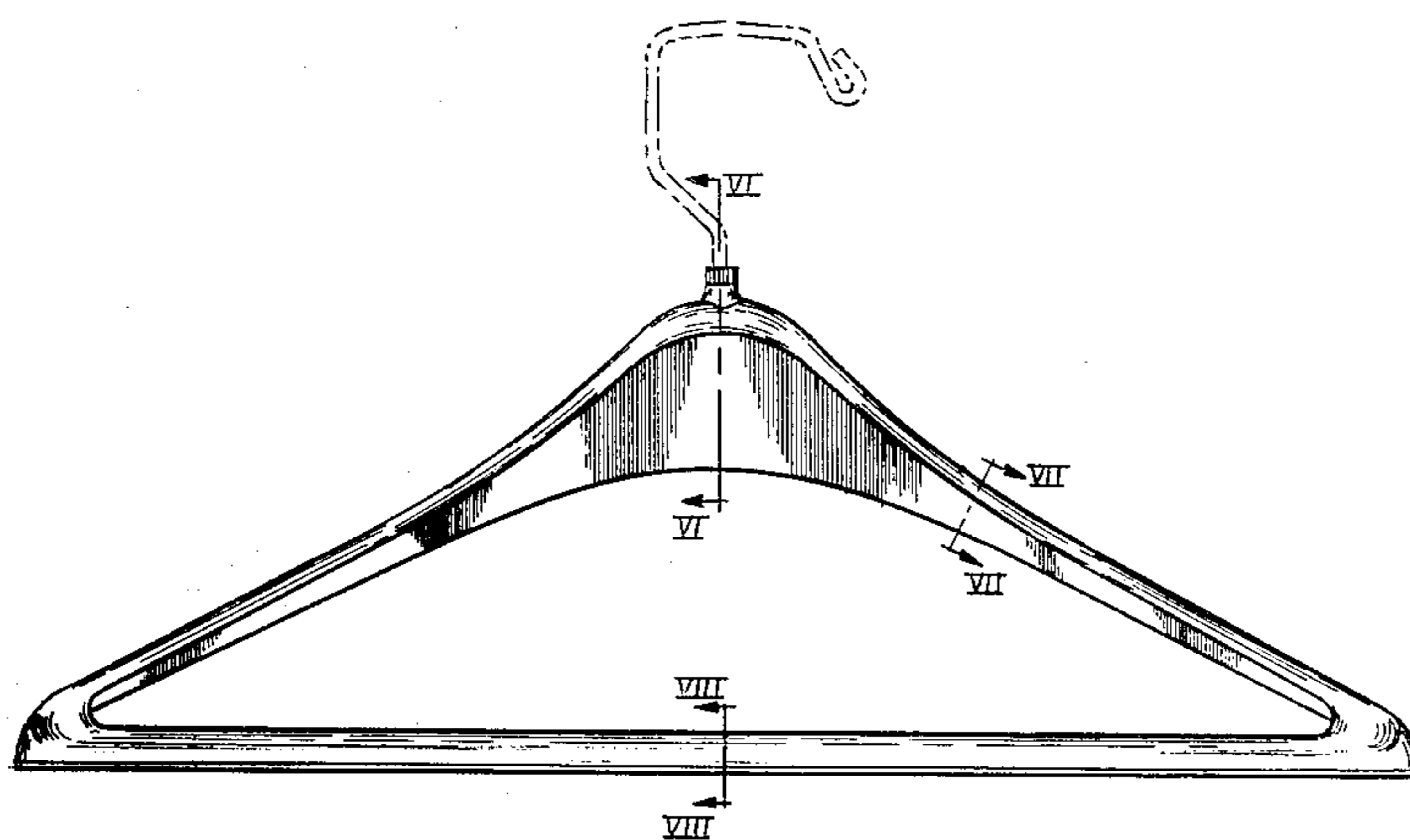
Attorney, Agent, or Firm—Price, Heneveld, Huizenga & Cooper

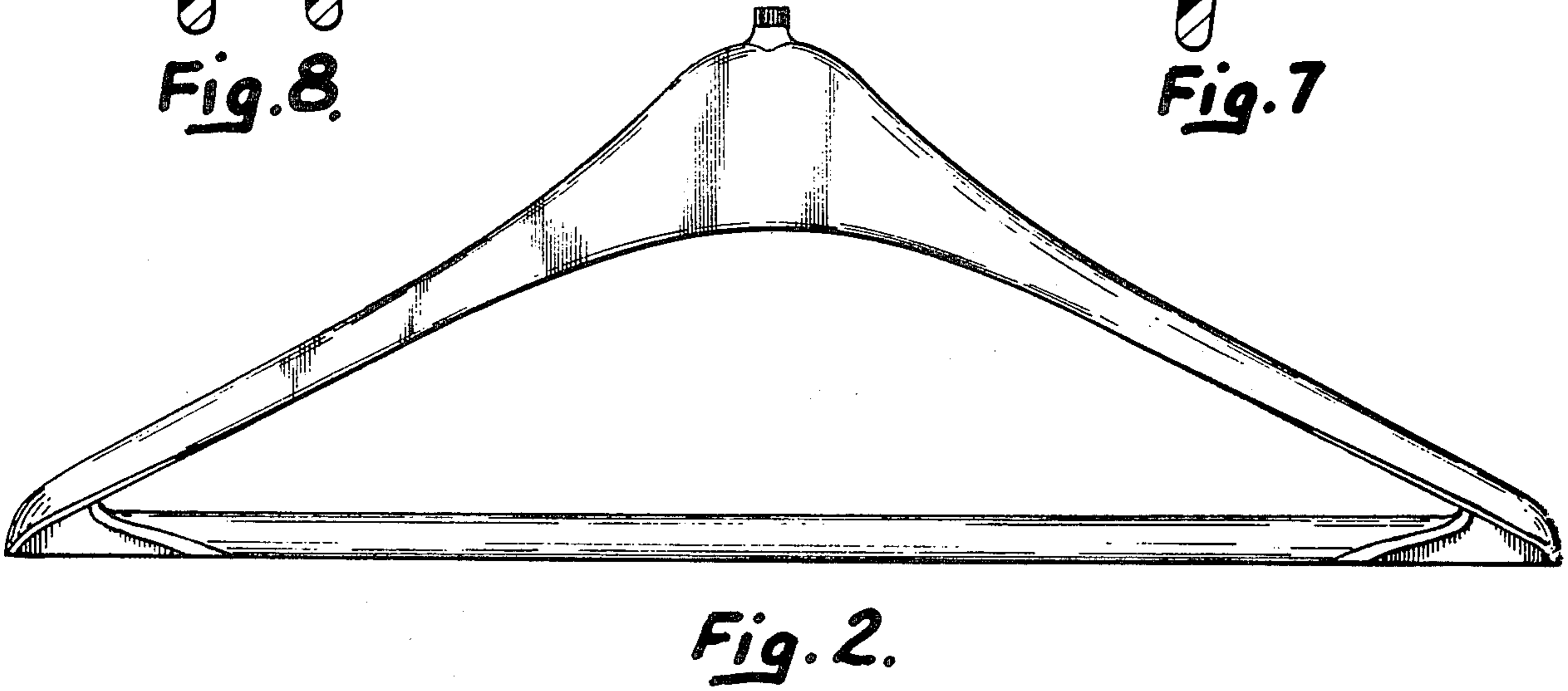
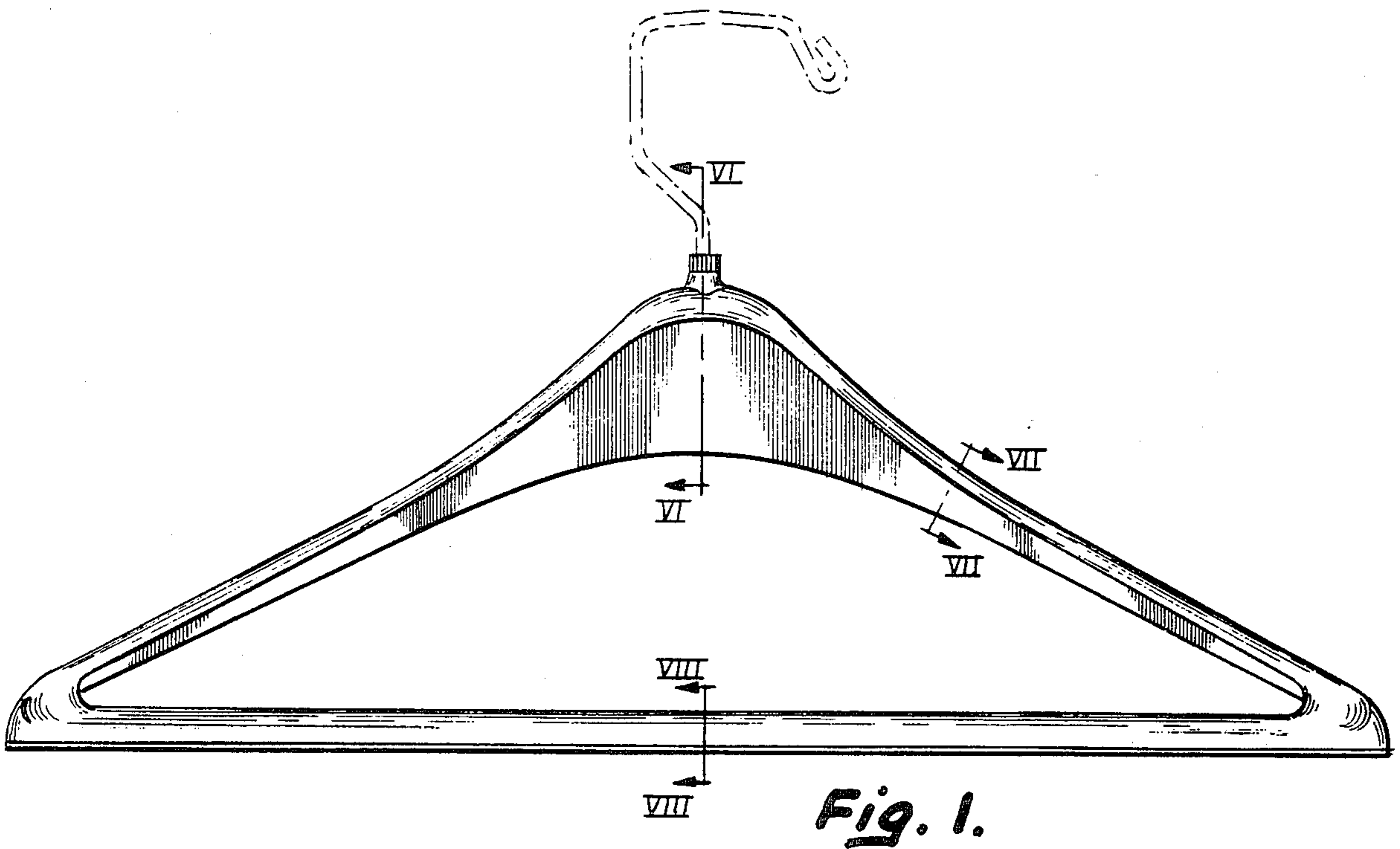
[57] CLAIM

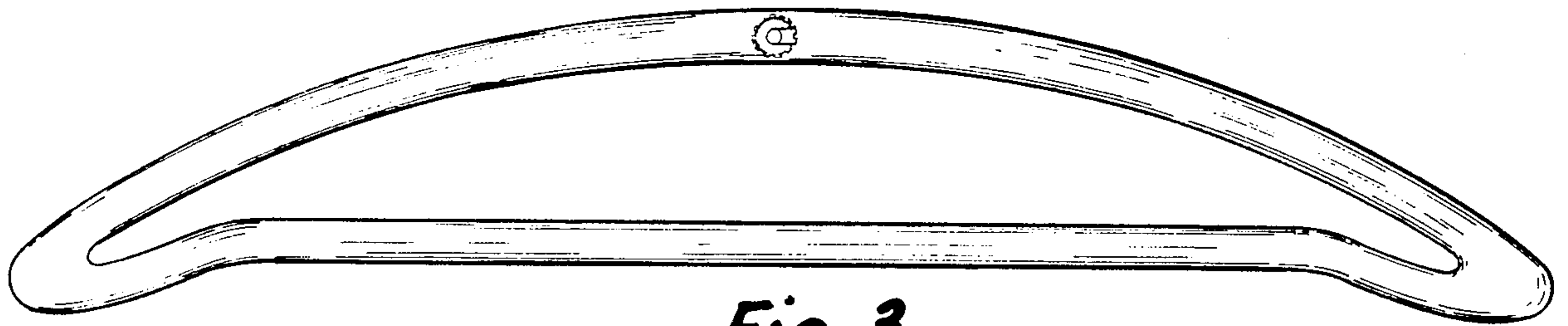
The ornamental design for a garment hanger, substantially as shown and described.

DESCRIPTION

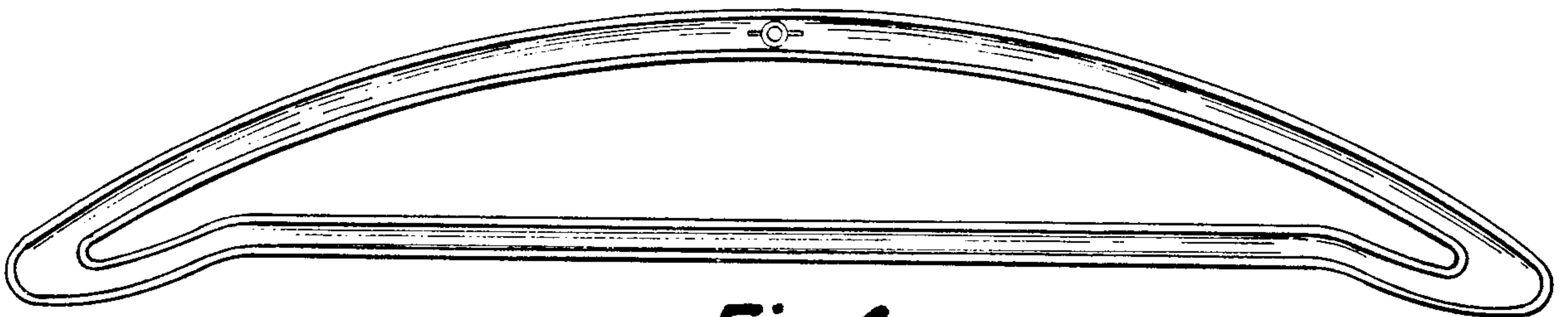
FIG. 1 is a front elevational view of a garment hanger showing my new design, the hook being shown in broken lines for illustrative purposes only; FIG. 2 is a rear elevational view thereof; FIG. 3 is a top plan view thereof; and FIG. 4 is a bottom view thereof; and FIG. 5 is an end elevational view taken from the right of FIG. 1; the side opposite being a mirror image thereof; FIG. 6 is an enlarged sectional view taken in the direction of the arrows on line VI—VI of FIG. 1; FIG. 7 is an enlarged sectional view taken on line VII—VII of FIG. 1; FIG. 8 is an enlarged sectional view taken on line VIII—VIII of FIG. 1.



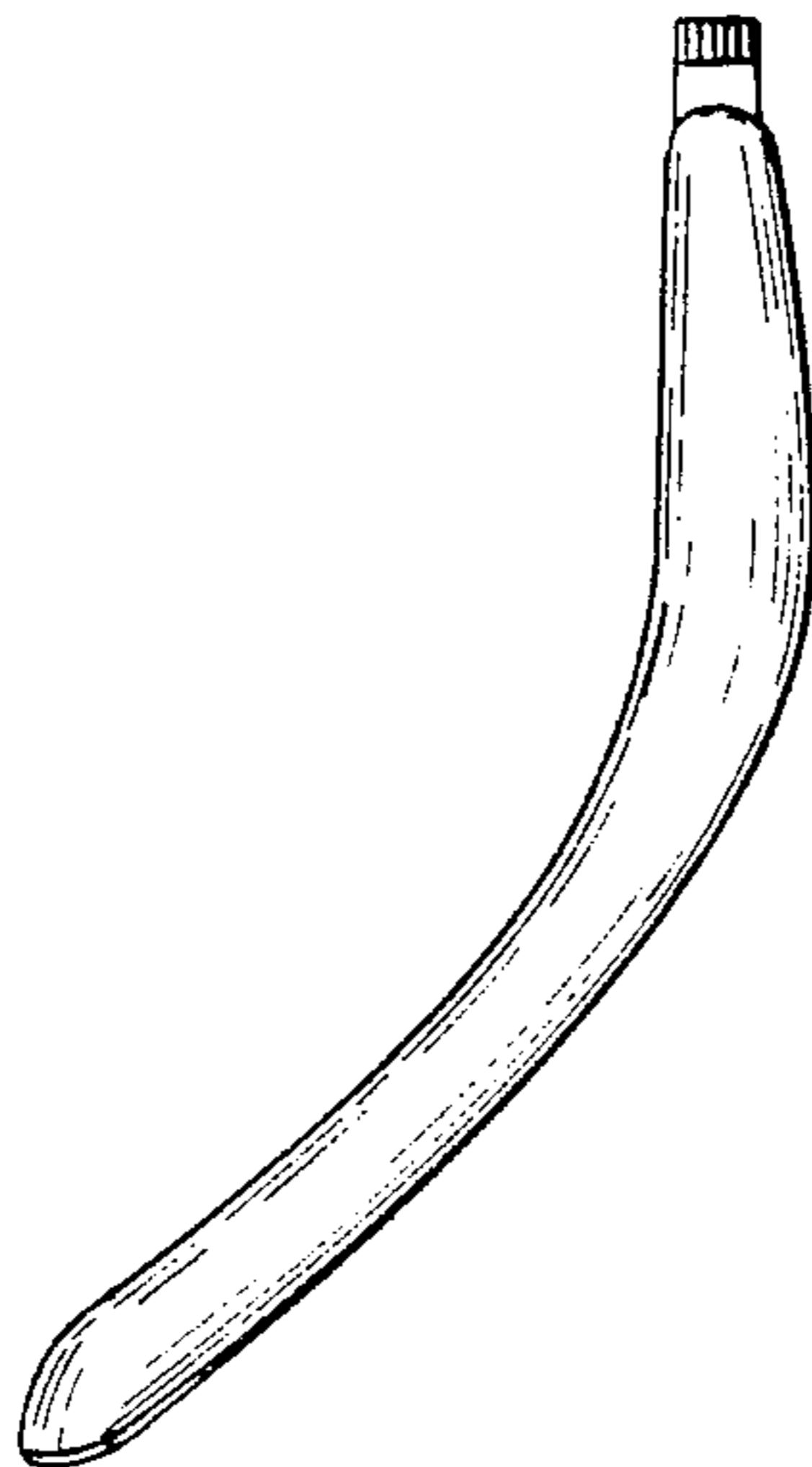




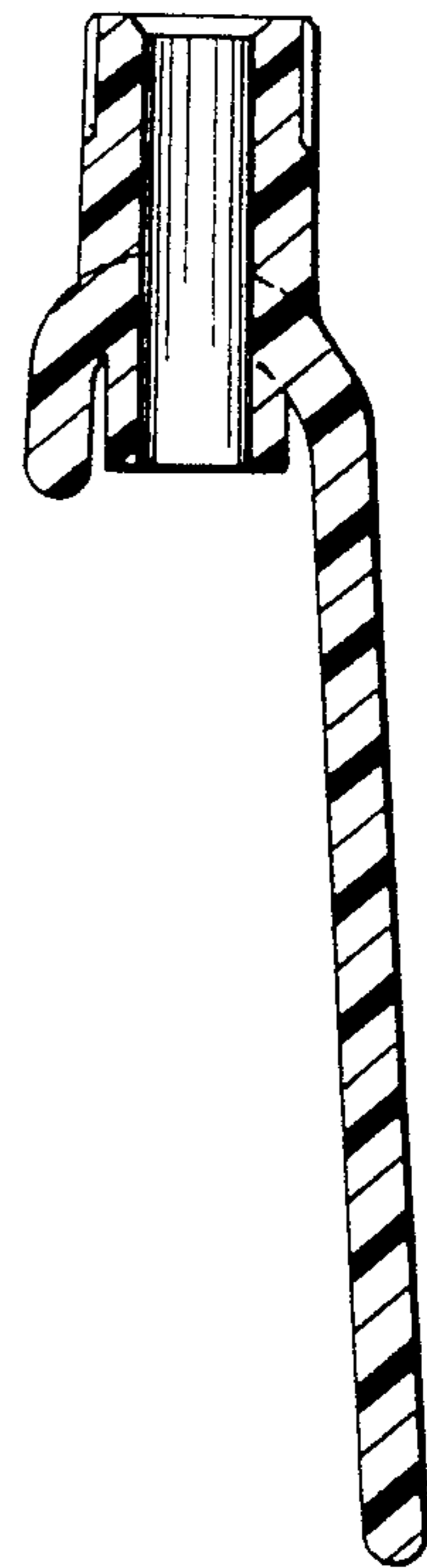
*Fig. 3.*



*Fig. 4.*



*Fig. 5.*



*Fig. 6.*