

[54] STORAGE TRAY FOR DISKETTES OR THE LIKE

[75] Inventor: Craig D. Drake, Muscatine, Iowa

[73] Assignee: Ring King Visibles, Inc., Muscatine, Iowa

[**] Term: 14 Years

[21] Appl. No.: 485,018

[22] Filed: Apr. 14, 1983

[52] U.S. Cl. D3/35; D3/78; D19/76

[58] Field of Search D3/30.1, 33, 35, 40, D3/74, 78; D19/75, 76; 206/444, 425, 387; 312/8-10, 12, 13; D12/157, 158; D32/55

[56] References Cited

U.S. PATENT DOCUMENTS

D. 170,165	8/1953	Roop	D19/76
D. 256,029	7/1980	Hampshire et al.	D19/76
D. 259,780	7/1981	Davidson	D12/158
D. 268,959	5/1983	Troy	D32/55
D. 276,922	12/1984	Evenson	D19/76
4,164,309	8/1979	Staats	206/425
4,366,904	1/1983	Roskvist	206/425

Primary Examiner—George P. Word
Attorney, Agent, or Firm—Neuman, Williams, Anderson & Olson

[57] CLAIM

The ornamental design for a storage tray for diskettes or the like, as shown and described.

DESCRIPTION

FIG. 1 is a perspective view of a storage tray for diskettes or the like showing my new design, with the cover fully open;

FIG. 2 is the same perspective view thereof with the cover closed;

FIG. 3 is a front elevational view thereof with the cover closed;

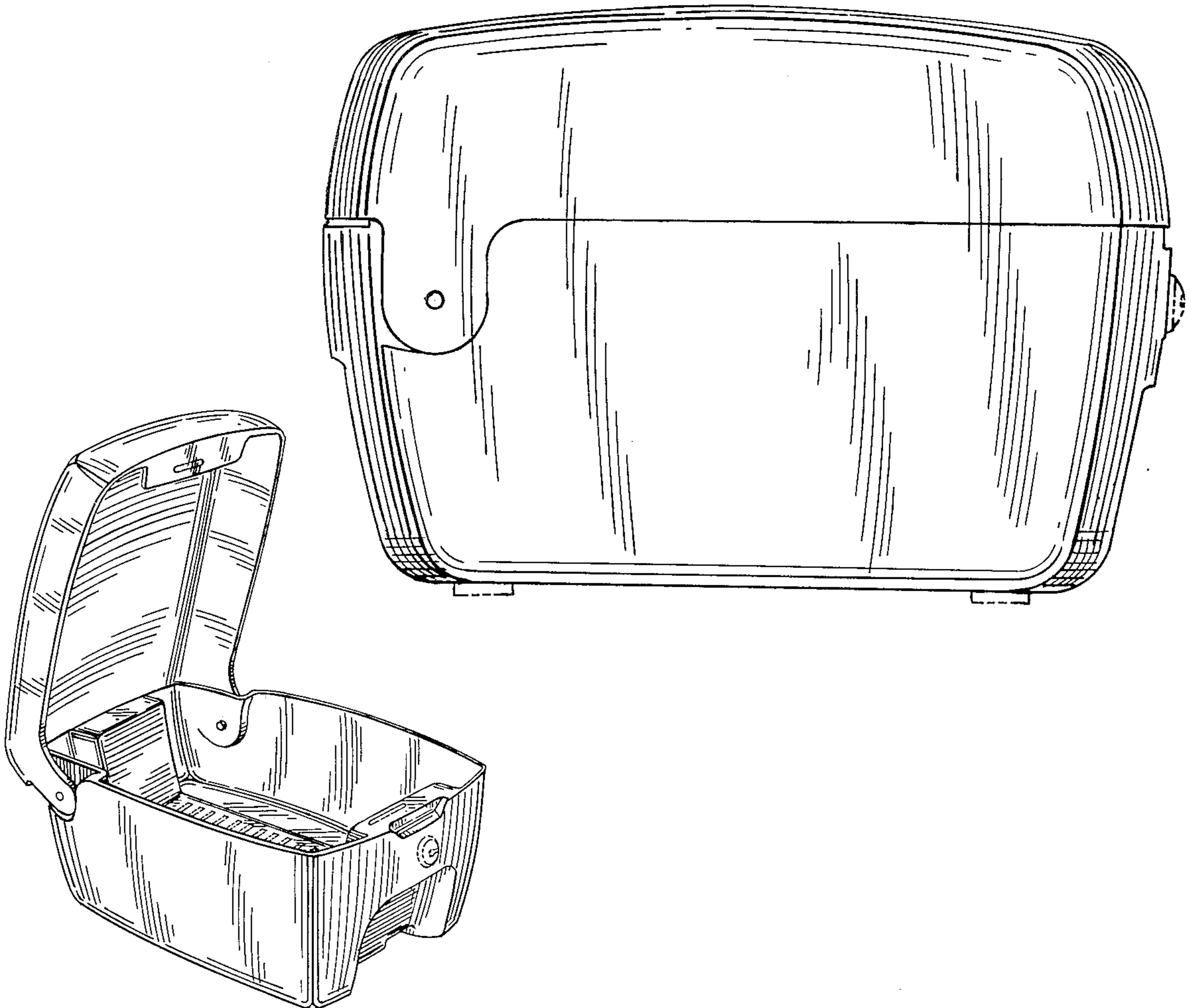
FIG. 4 is a left side elevational view thereof with the cover closed;

FIG. 5 is a top plan view thereof with the cover closed;

FIG. 6 is a rear elevational view thereof with the cover closed; and

FIG. 7 is a bottom plan view thereof.

The environmental structure shown in broken lines on the drawing figures are for illustrative purposes only and not a part of the claimed design.



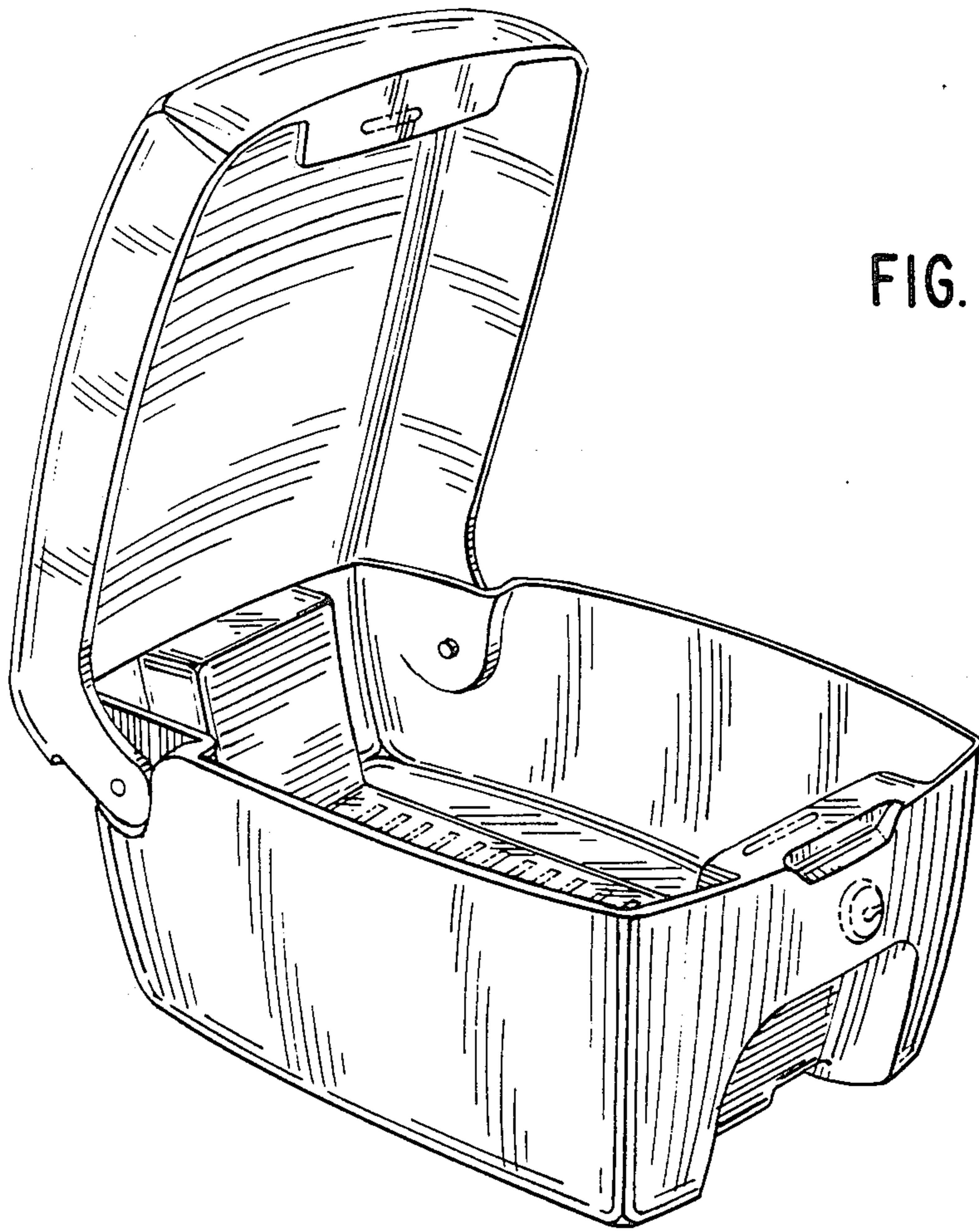


FIG. 1

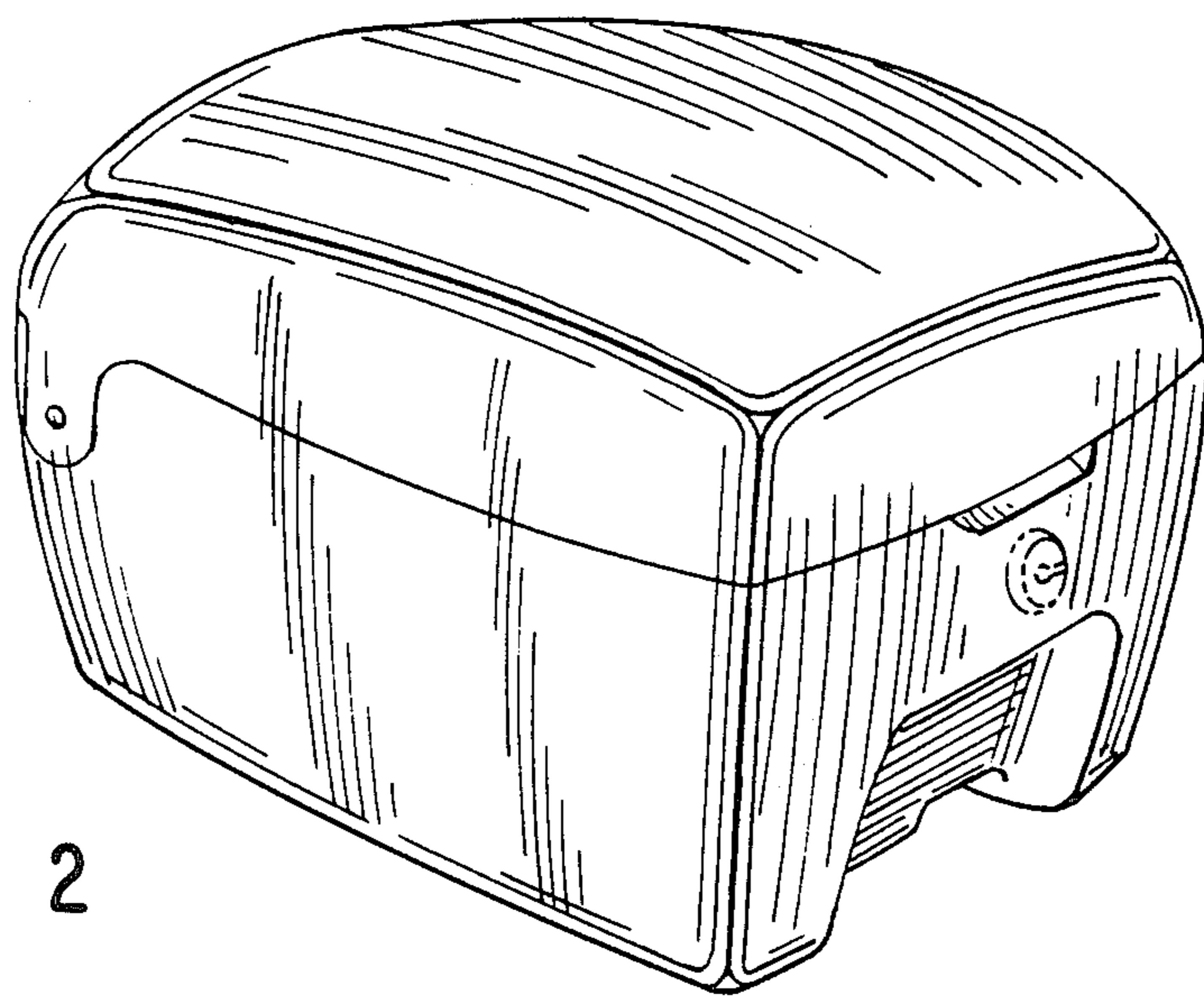


FIG. 2

FIG. 3

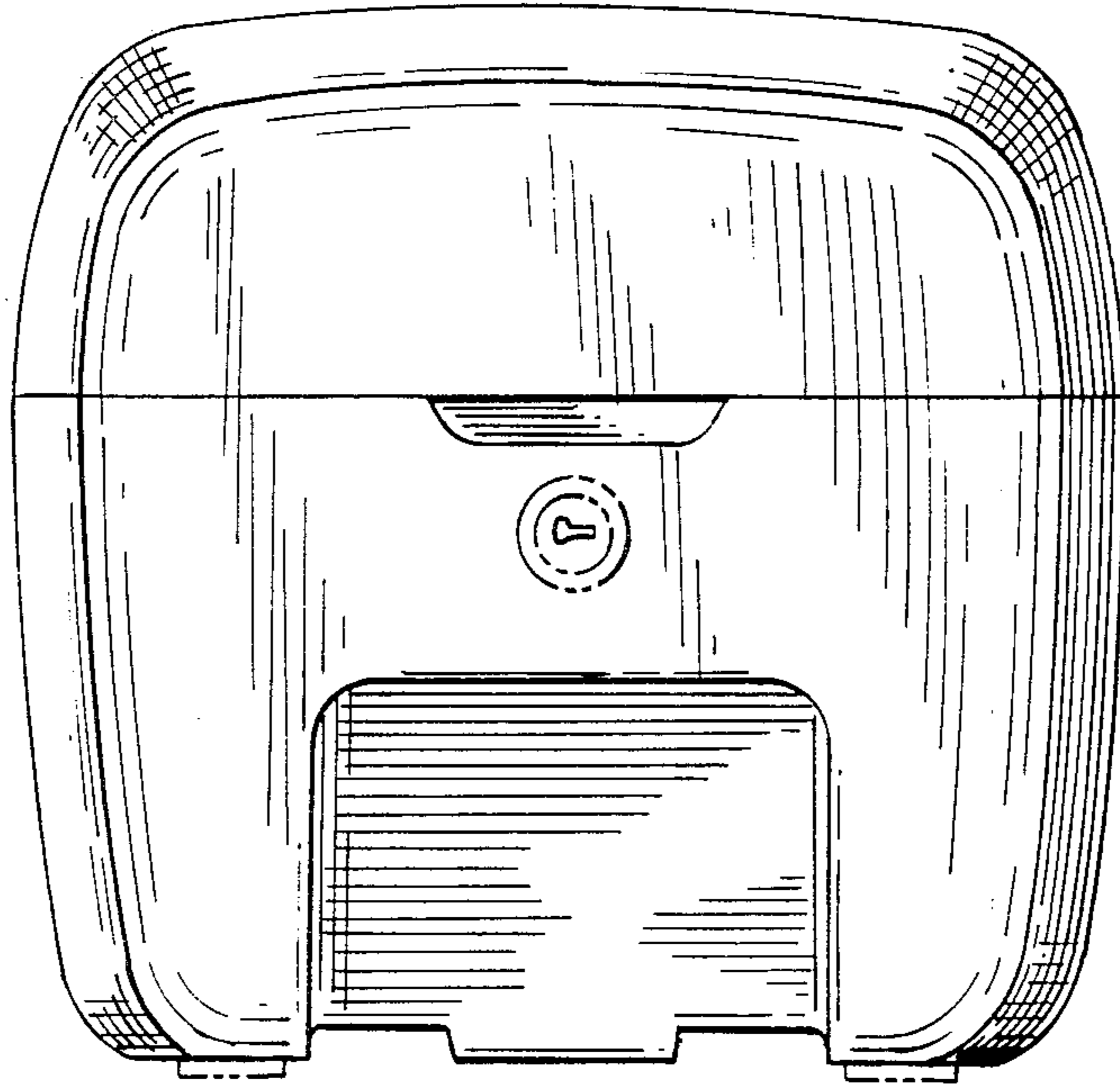


FIG. 4

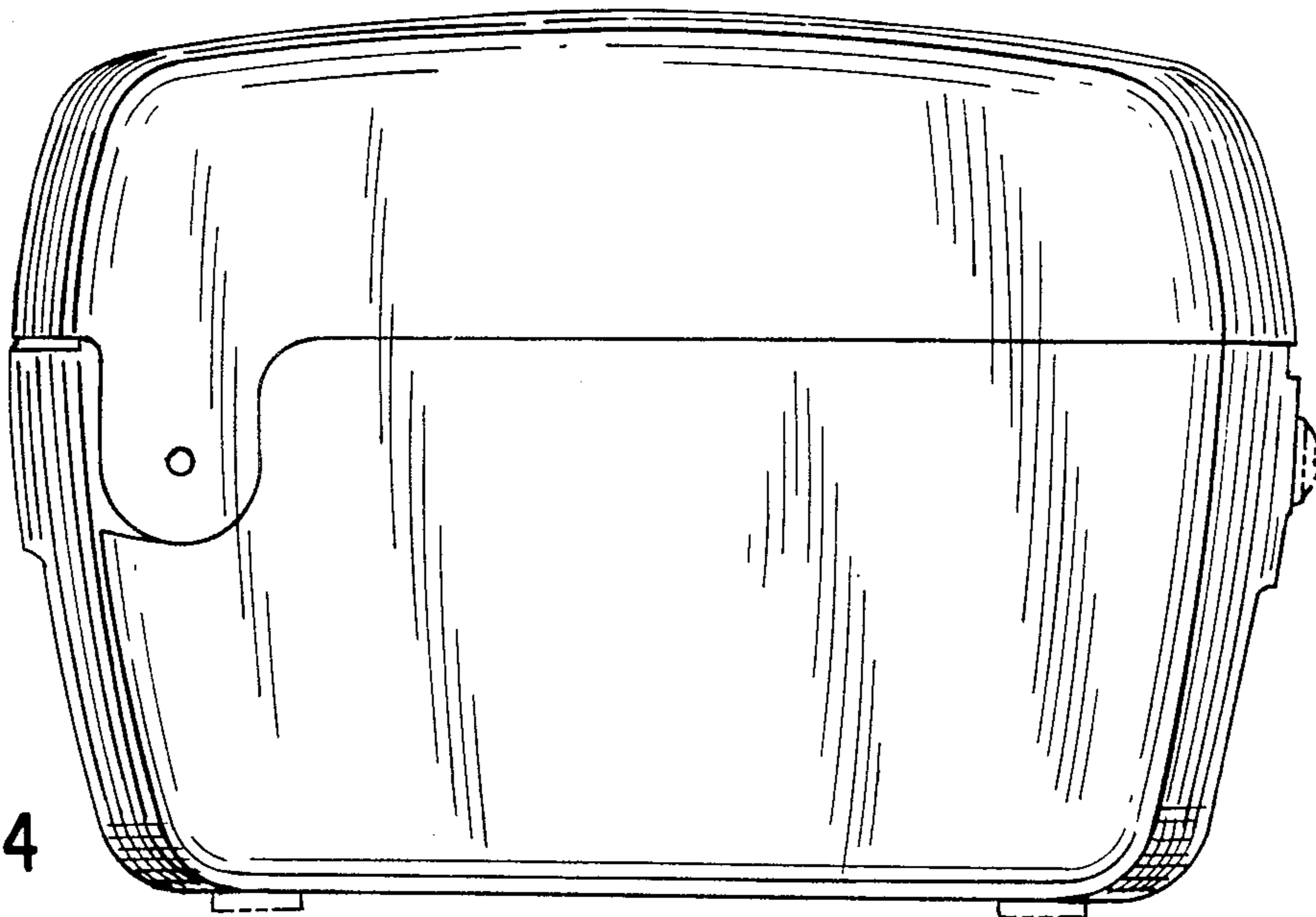


FIG. 5

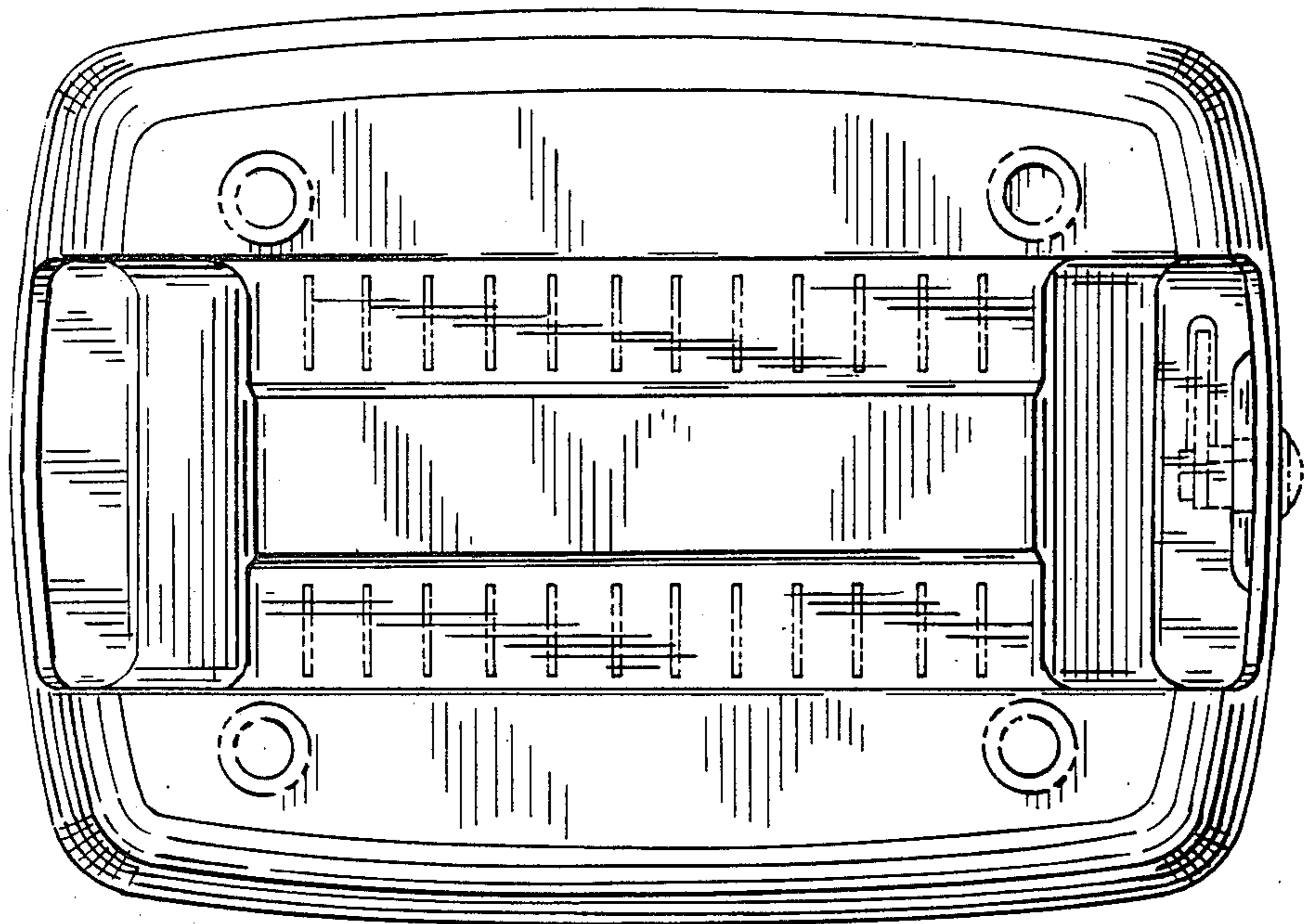
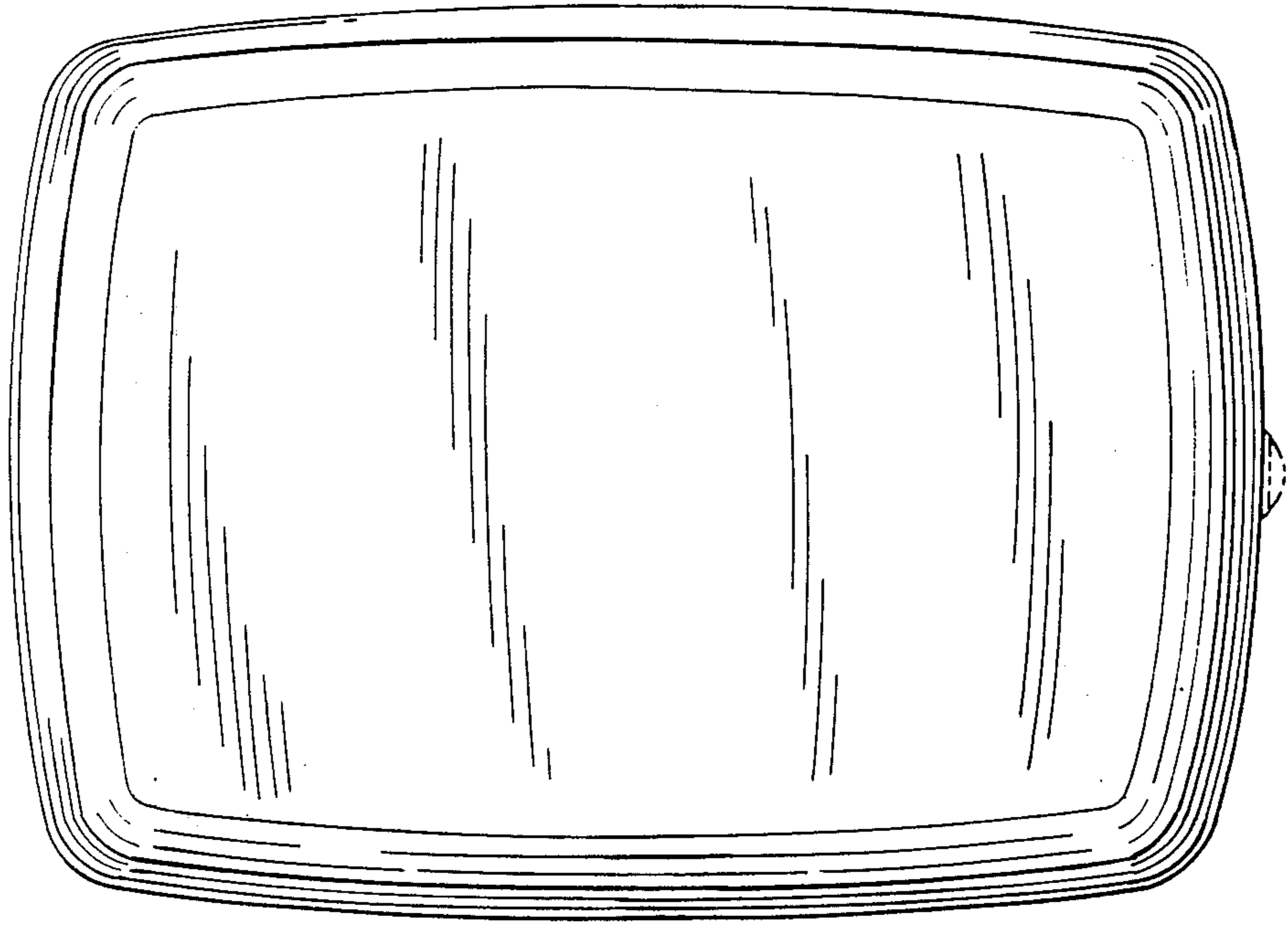


FIG. 7

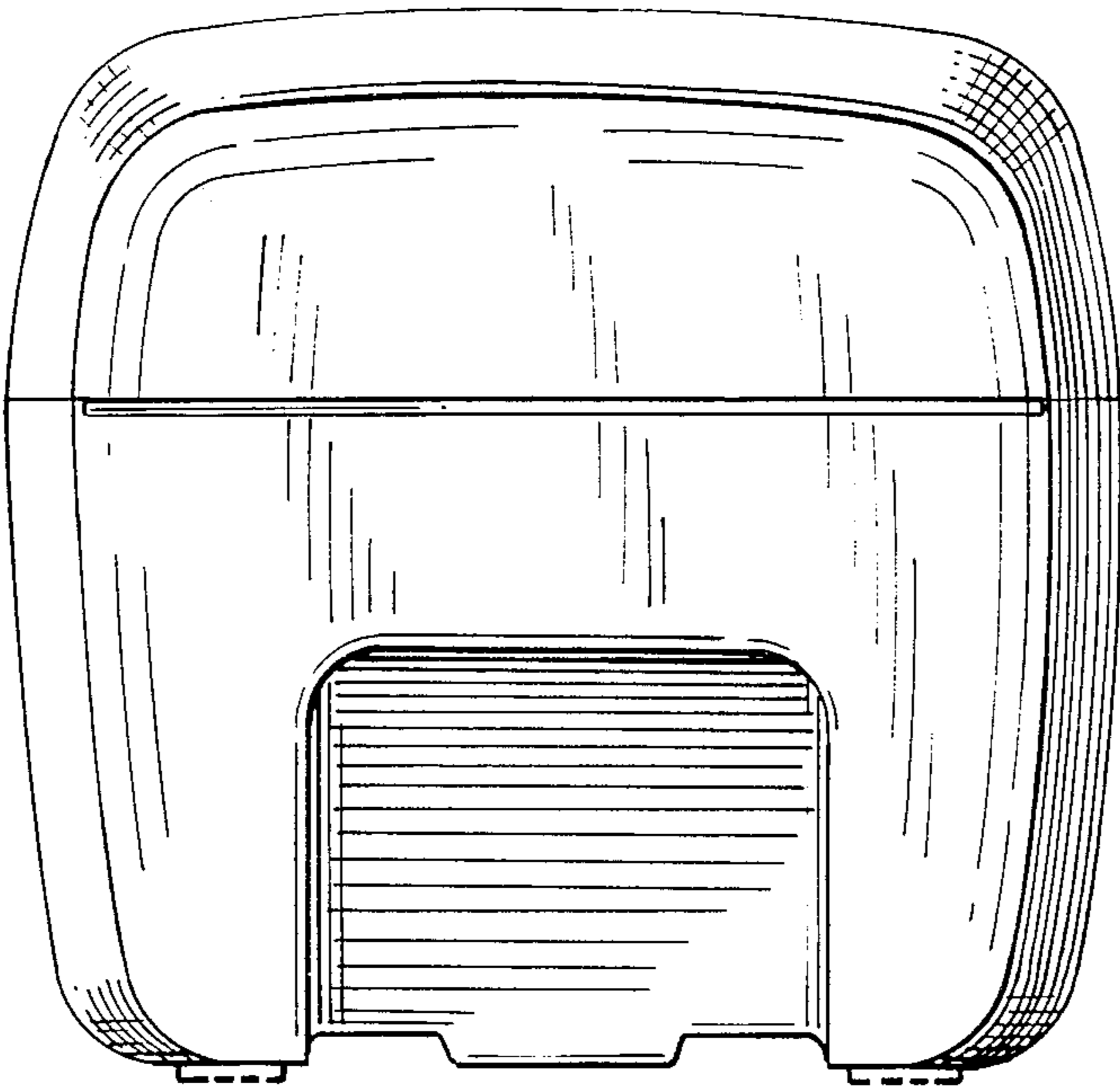


FIG. 6