

[54] STAND FOR INTRAVENOUS EQUIPMENT

4,383,252 5/1983 Purcell et al. .... 604/246 X

[75] Inventors: Al DiGianfilippo, Arlington Heights; James Hitchcock, Jr., Barrington, both of Ill.

[73] Assignee: Baxter Travenol Laboratories, Inc., Deerfield, Ill.

[\*\*] Term: 14 Years

[21] Appl. No.: 514,052

[22] Filed: Jul. 15, 1983

[52] U.S. Cl. .... D24/31; D6/431

[58] Field of Search ..... D6/431, 460, 462, 512; D24/31, 52; 604/80, 245, 246; 211/74

[56] References Cited

U.S. PATENT DOCUMENTS

D. 252,300	7/1979	Pryor	.....	D6/431
D. 260,816	9/1981	Zissimopoulos	.....	D24/31
2,954,028	9/1960	Smith	.....	604/80
3,298,367	1/1967	Bergman	.....	604/246

OTHER PUBLICATIONS

American Hospital Supply Corp., Catalog for Feb. 1955, p. 344, Stand No. A.

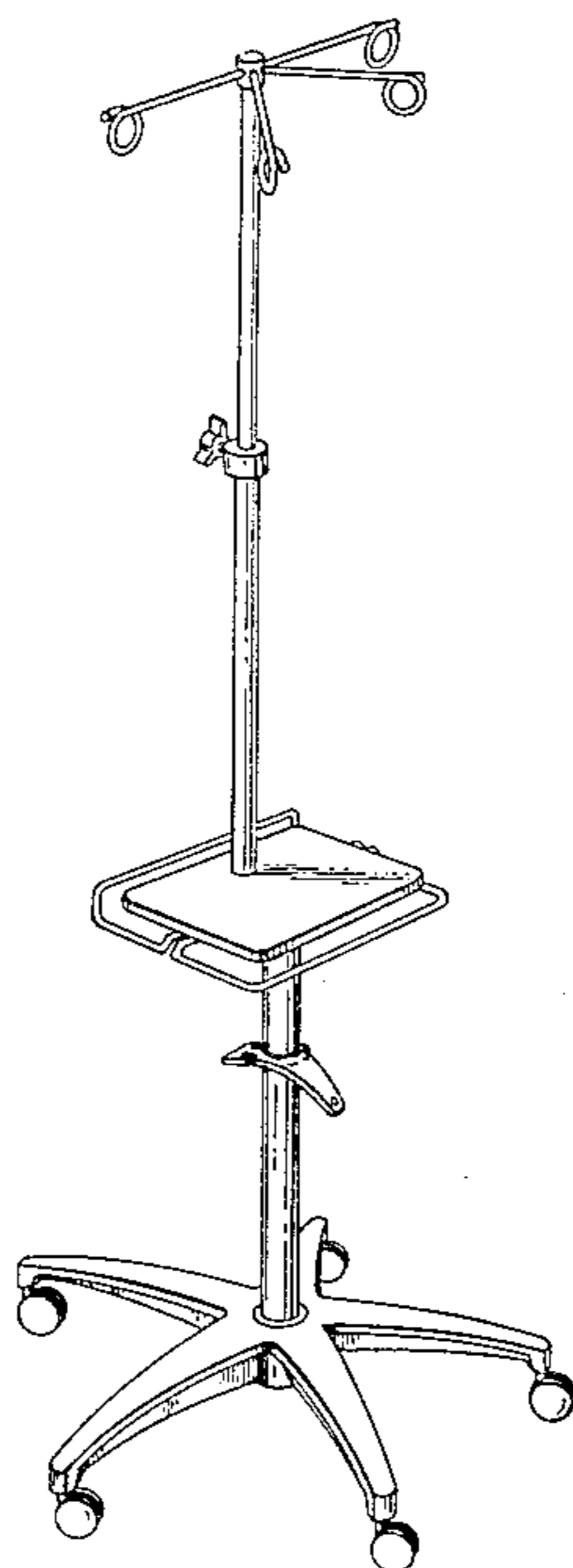
Primary Examiner—Bruce W. Dunkins  
Attorney, Agent, or Firm—Bradford R. L. Price

[57] CLAIM

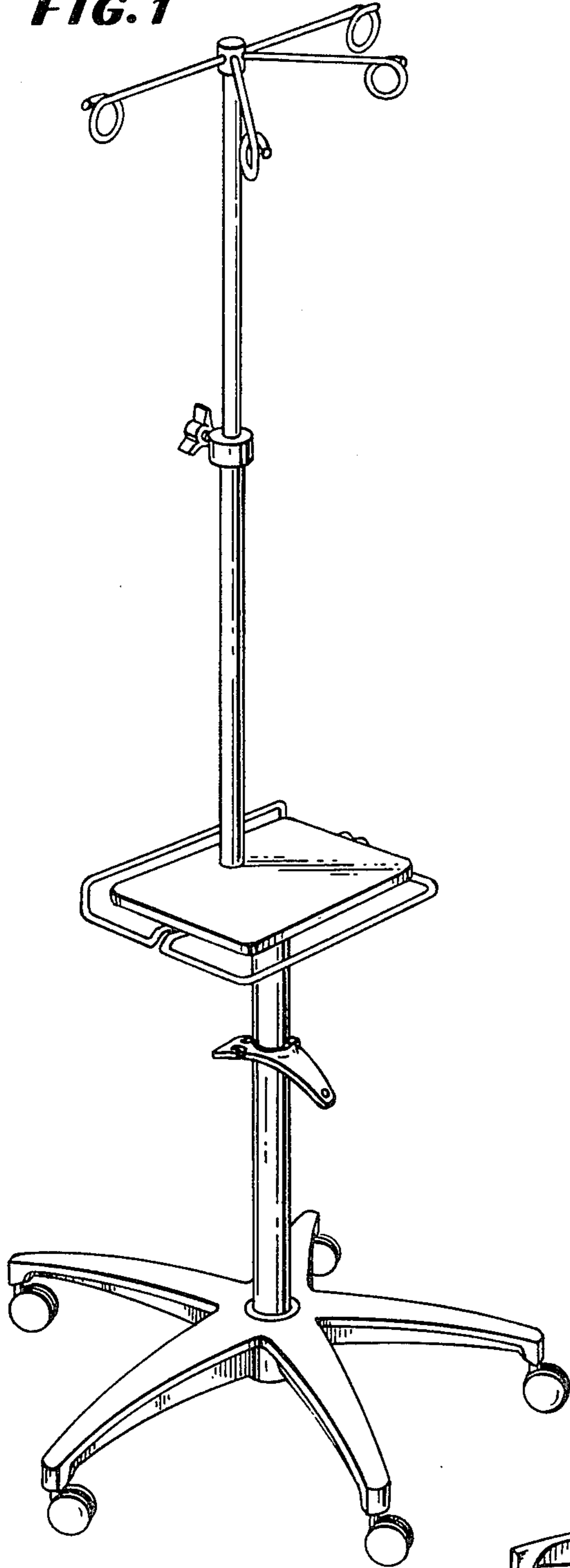
The ornamental design of a stand for intravenous equipment, substantially as shown and described.

DESCRIPTION

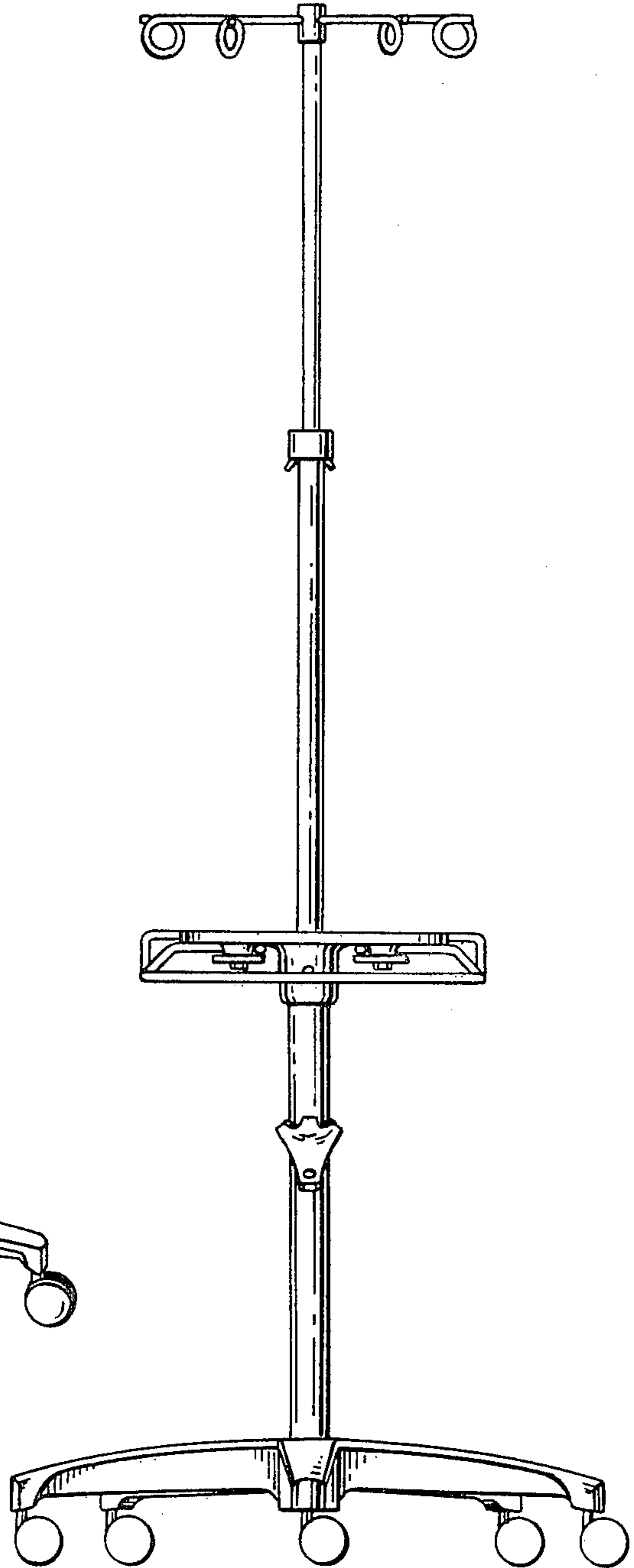
FIG. 1 is a perspective view of the stand for intravenous equipment embodying the present invention; FIG. 2 is a front elevational view of the stand shown in FIG. 1; FIG. 3 is a side elevational view of the stand shown in FIG. 1; FIG. 4 is a top plan view of the stand shown in FIG. 1; and FIG. 5 is a bottom plan view of the stand shown in FIG. 1.



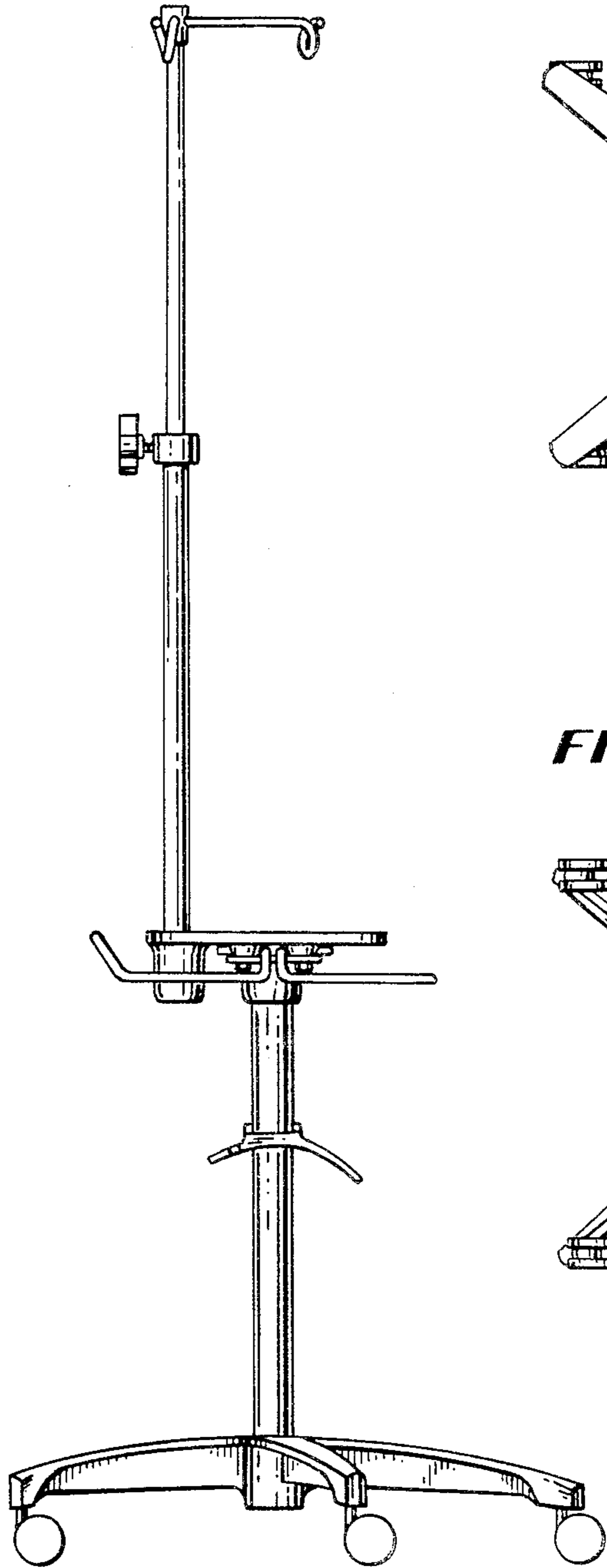
**FIG. 1**



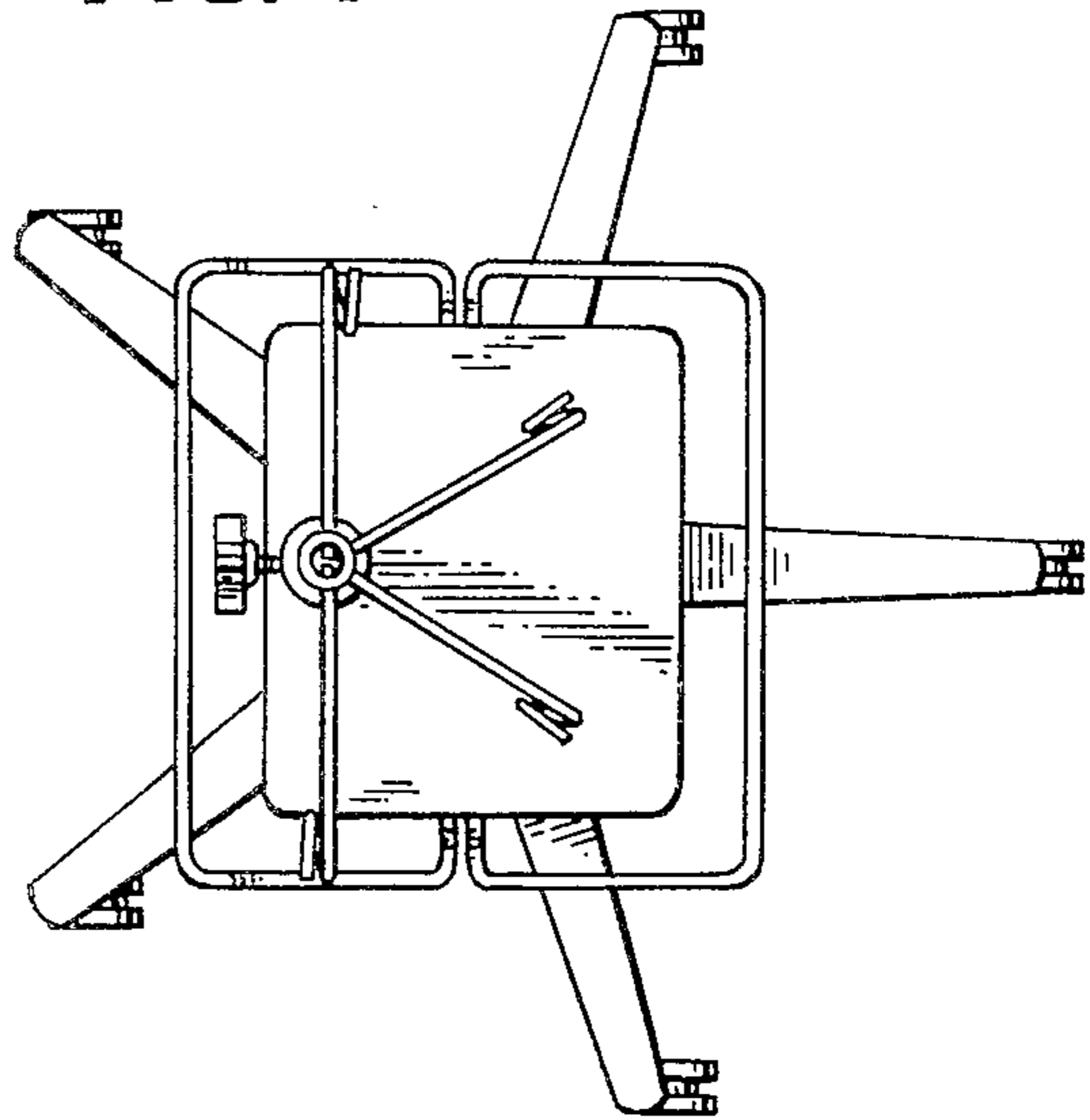
**FIG. 2**



**FIG. 3**



**FIG. 4**



**FIG. 5**

