

[54] LAVATORY

[76] Inventor: Joseph W. Platner, Footes Bridge Rd., Guilford, Conn. 06437

[**] Term: 14 Years

[21] Appl. No.: 476,644

[22] Filed: Mar. 18, 1983

[52] U.S. Cl. D23/58

[58] Field of Search D23/58-64; 4/619, 631, 637, 643, 646

1,676,035 7/1928 Lehnert 4/653 X
3,813,706 6/1974 Williams 4/631

FOREIGN PATENT DOCUMENTS

721963 12/1931 France 4/650

Primary Examiner—James R. Largen

[57] CLAIM

The ornamental design for a lavatory, as shown and described.

DESCRIPTION

FIG. 1 is a top plan view of a lavatory showing my new design;

FIG. 2 is a front elevational view thereof;

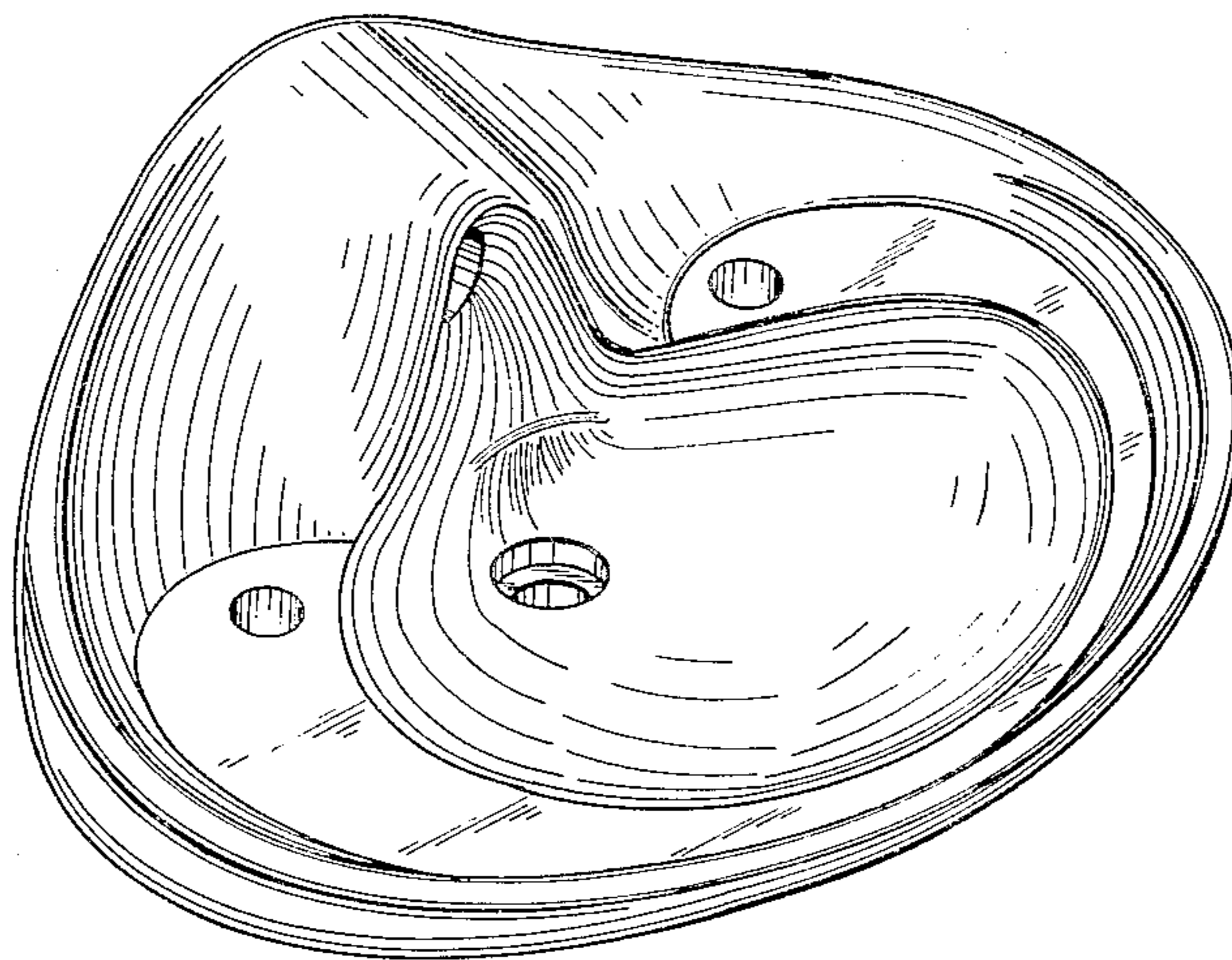
FIG. 3 is a right side elevational view thereof, the left side being a mirror image of the right side shown; and

FIG. 4 is a perspective view taken from the top, front and left side thereof.

[56] References Cited

U.S. PATENT DOCUMENTS

- D. 101,446 10/1936 Dreyfuss et al. D23/61
- D. 202,410 9/1965 Sundberg et al. D23/58
- D. 208,762 10/1967 Laveno D23/58
- D. 261,929 11/1981 Primault D23/61
- 1,406,030 2/1922 Kelly 4/638



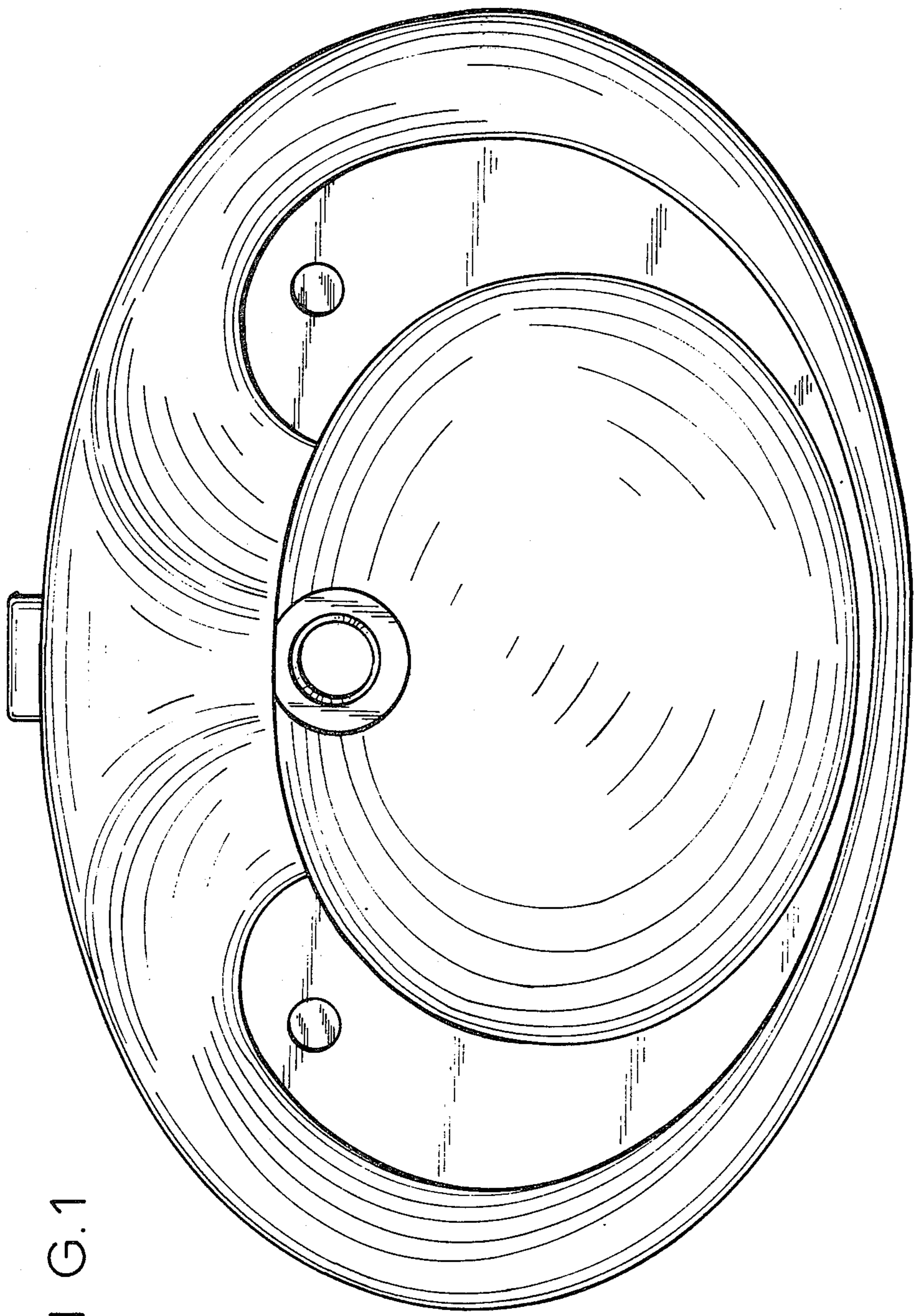


FIG. 1

FIG. 2

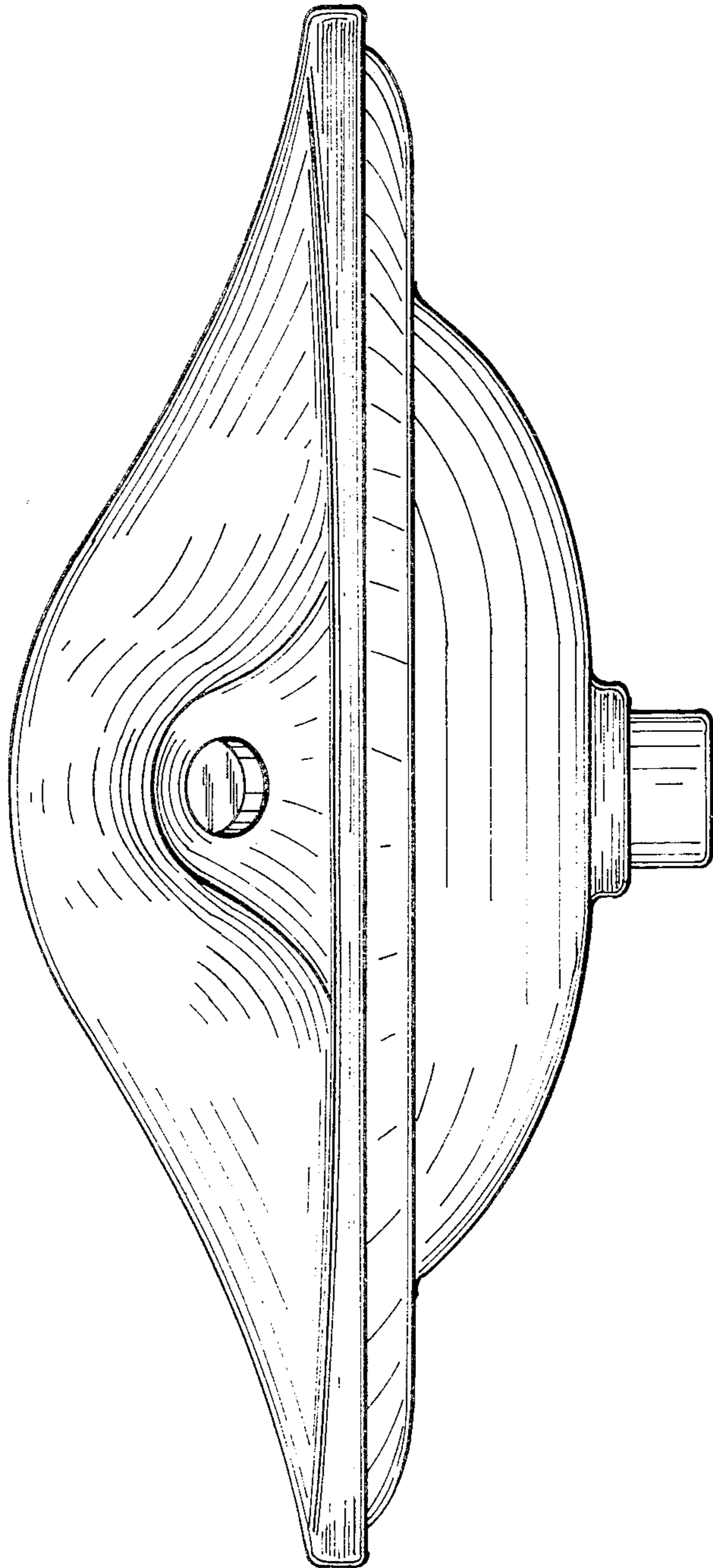
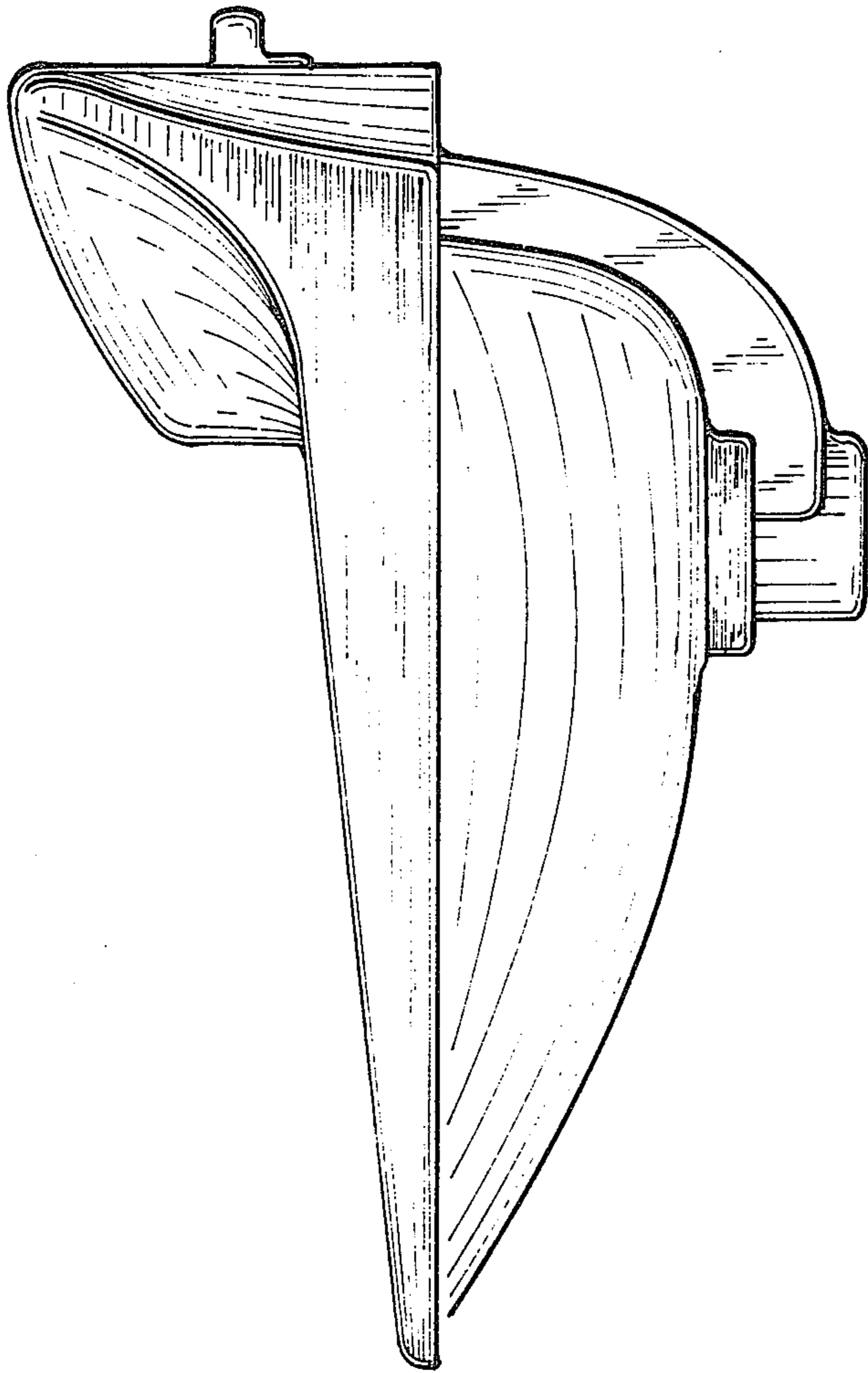


FIG. 3



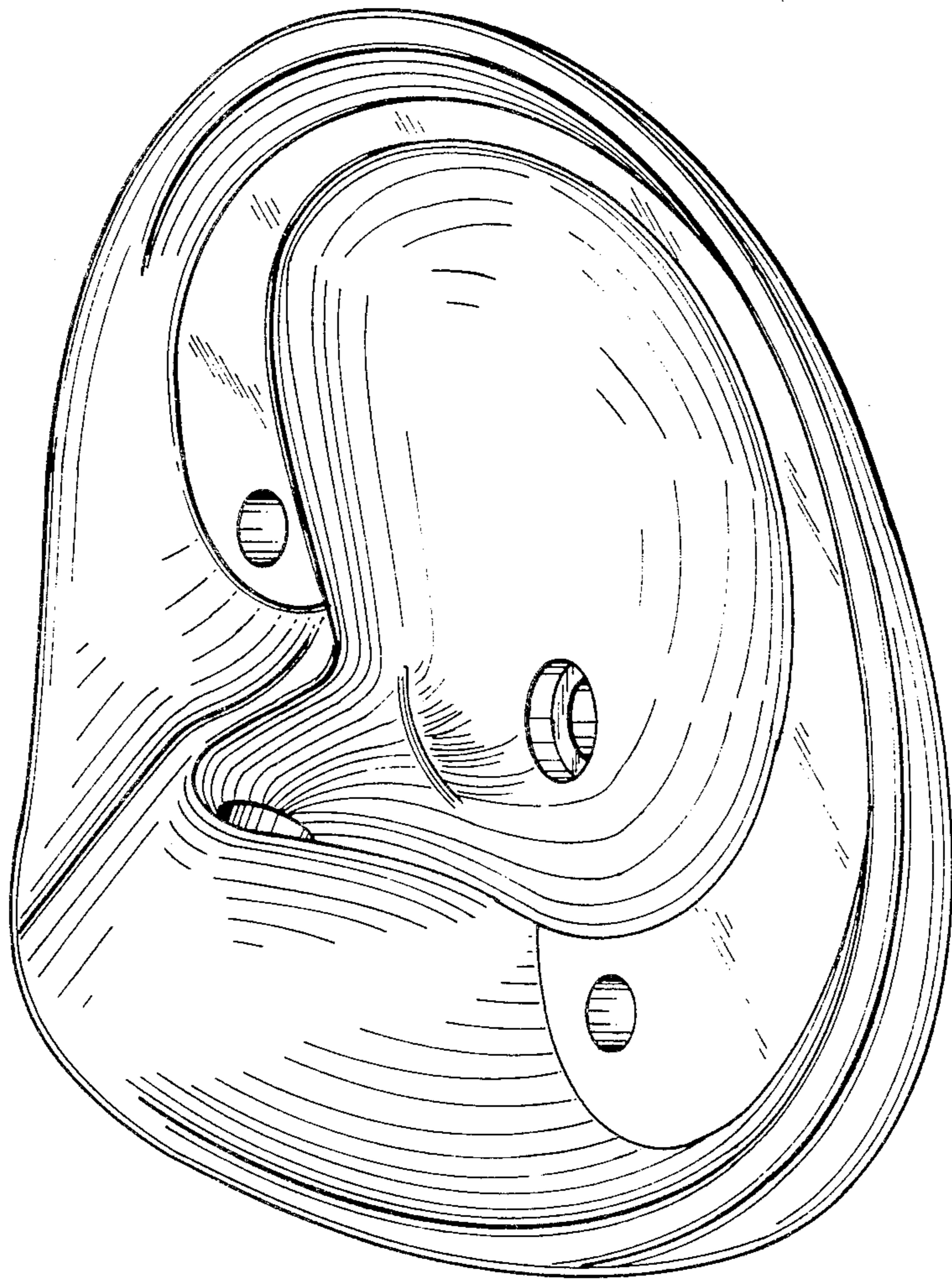


FIG. 4

UNITED STATES PATENT AND TRADEMARK OFFICE
CERTIFICATE OF CORRECTION

PATENT NO. : Des. 281,450
DATED : November 19, 1985
INVENTOR(S) : Joseph W. Platner

It is certified that error appears in the above-identified patent and that said Letters Patent is hereby corrected as shown below:

On the title page insert

-- (73) Assignee: American Standard Inc., New York, N. Y. --.

Signed and Sealed this
Thirtieth Day of September 1986

[SEAL]

Attest:

DONALD J. QUIGG

Attesting Officer

Commissioner of Patents and Trademarks