

[54] OUTDOOR CHILD'S PLAY UNIT

[75] Inventor: Richard F. Gordon, Salt Lake City, Utah

[73] Assignee: Sportplay Creative Enterprises, Inc., Utah

[**] Term: 14 Years

[21] Appl. No.: 490,859

[22] Filed: May 2, 1983

[52] U.S. Cl. D21/244

[58] Field of Search D21/244, 245, 242, 246; 272/113, 56.5

[56] References Cited

U.S. PATENT DOCUMENTS

- D. 227,383 6/1973 Sanderson D21/243
- D. 271,037 10/1983 Gordon D21/244

D. 274,450 6/1984 Gordon D21/244

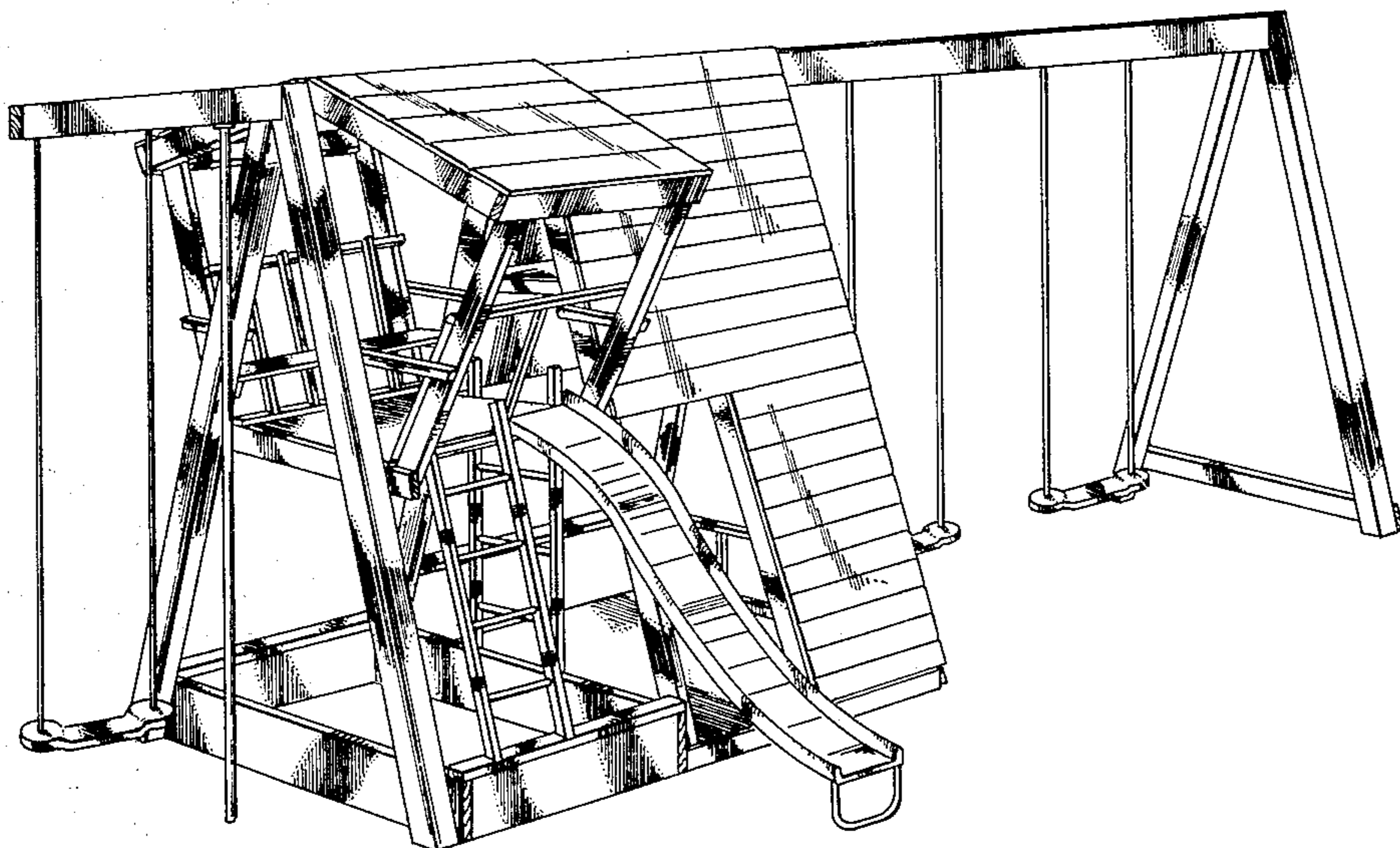
Primary Examiner—Melvin B. Feifer
Attorney, Agent, or Firm—Thorpe, North & Western

[57] CLAIM

The ornamental design for an outdoor child's play unit, substantially as shown.

DESCRIPTION

FIG. 1 is a front perspective view of an outdoor child's play unit showing my new design;
 FIG. 2 is a front view of the design;
 FIG. 3 is a back view of the design;
 FIG. 4 is a left side view of the design as shown in FIG. 1;
 FIG. 5 is a right side view of the design as shown in FIG. 1;
 FIG. 6 is a top view of the design; and
 FIG. 7 is a bottom view of the design.



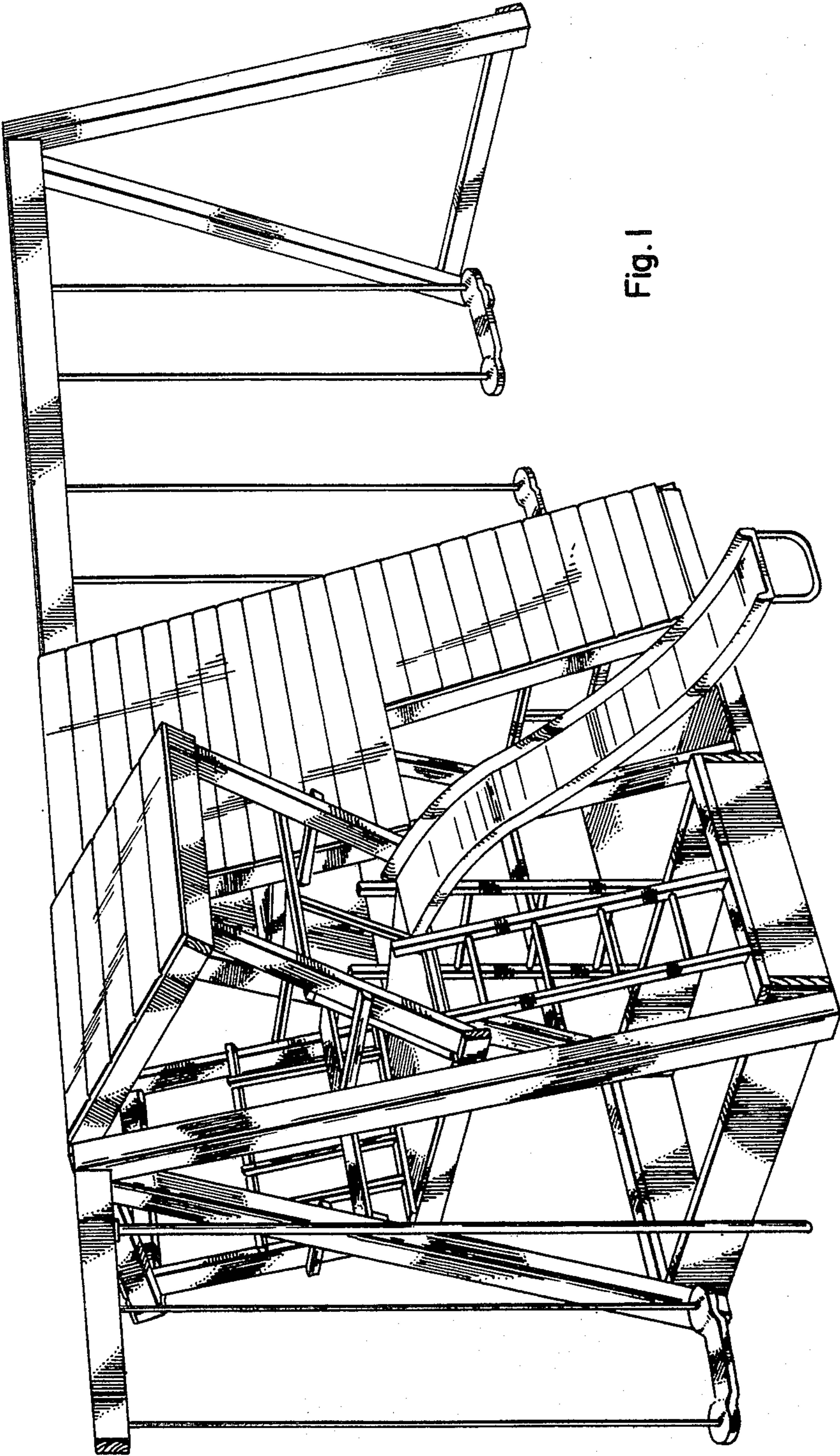


Fig. 1

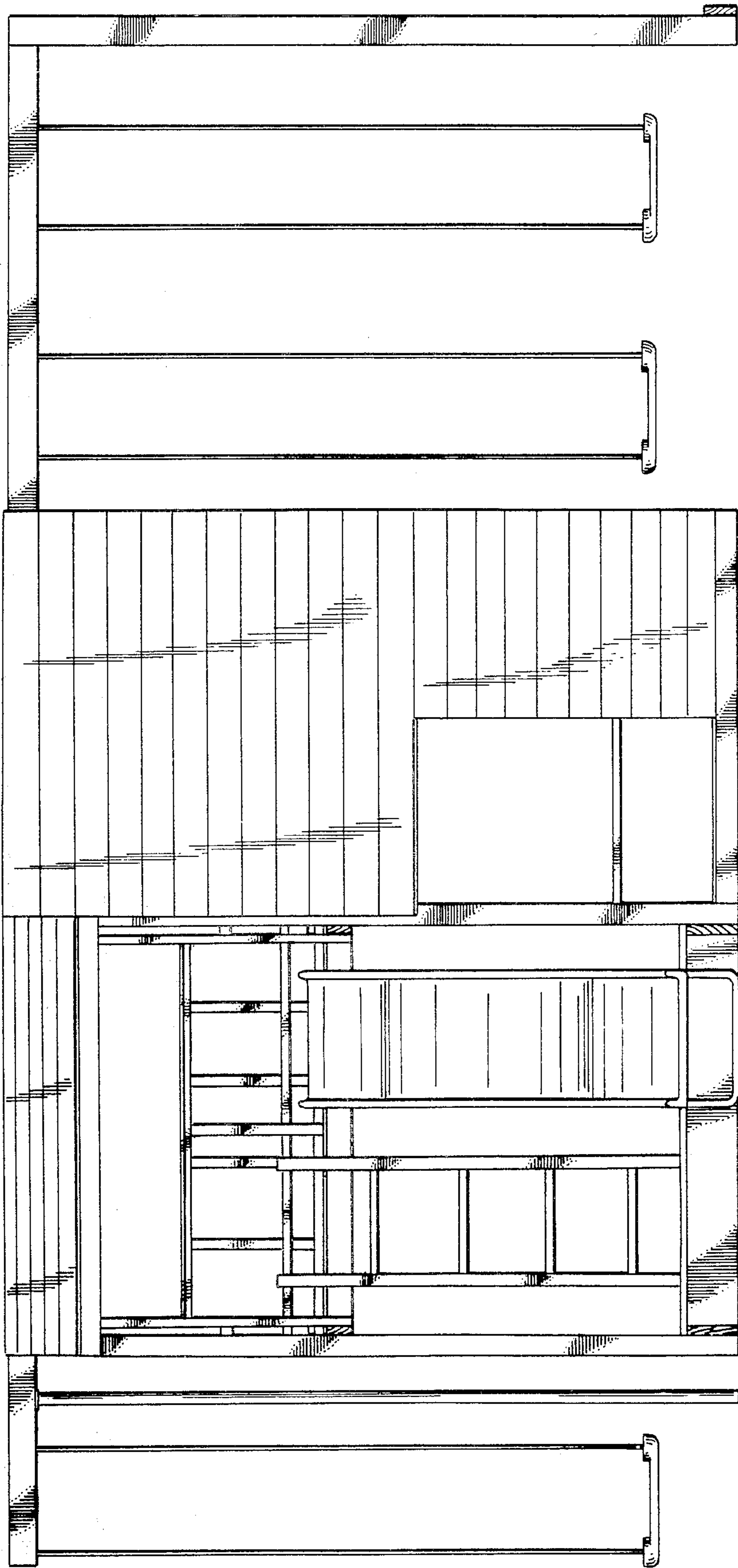


Fig. 2

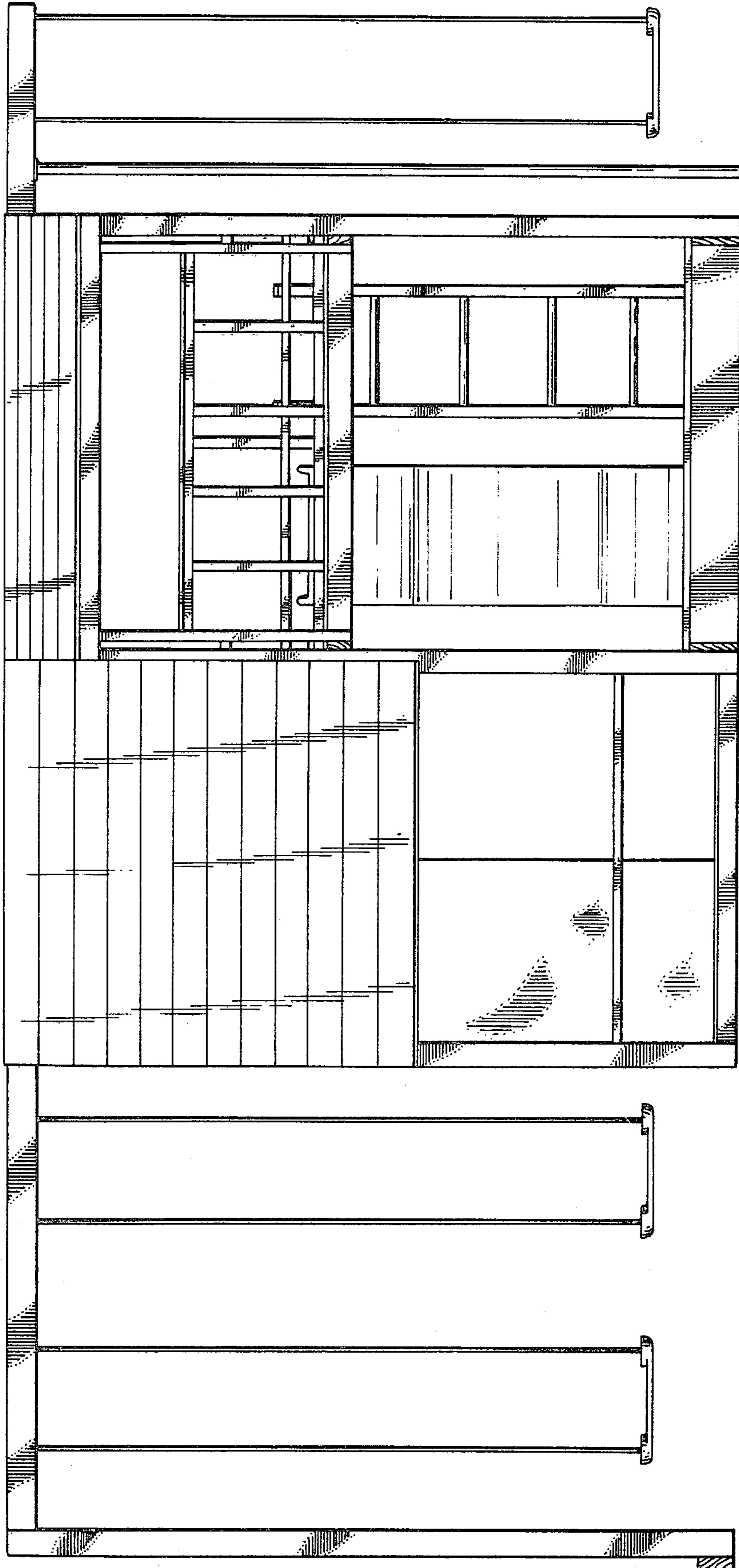


Fig. 3

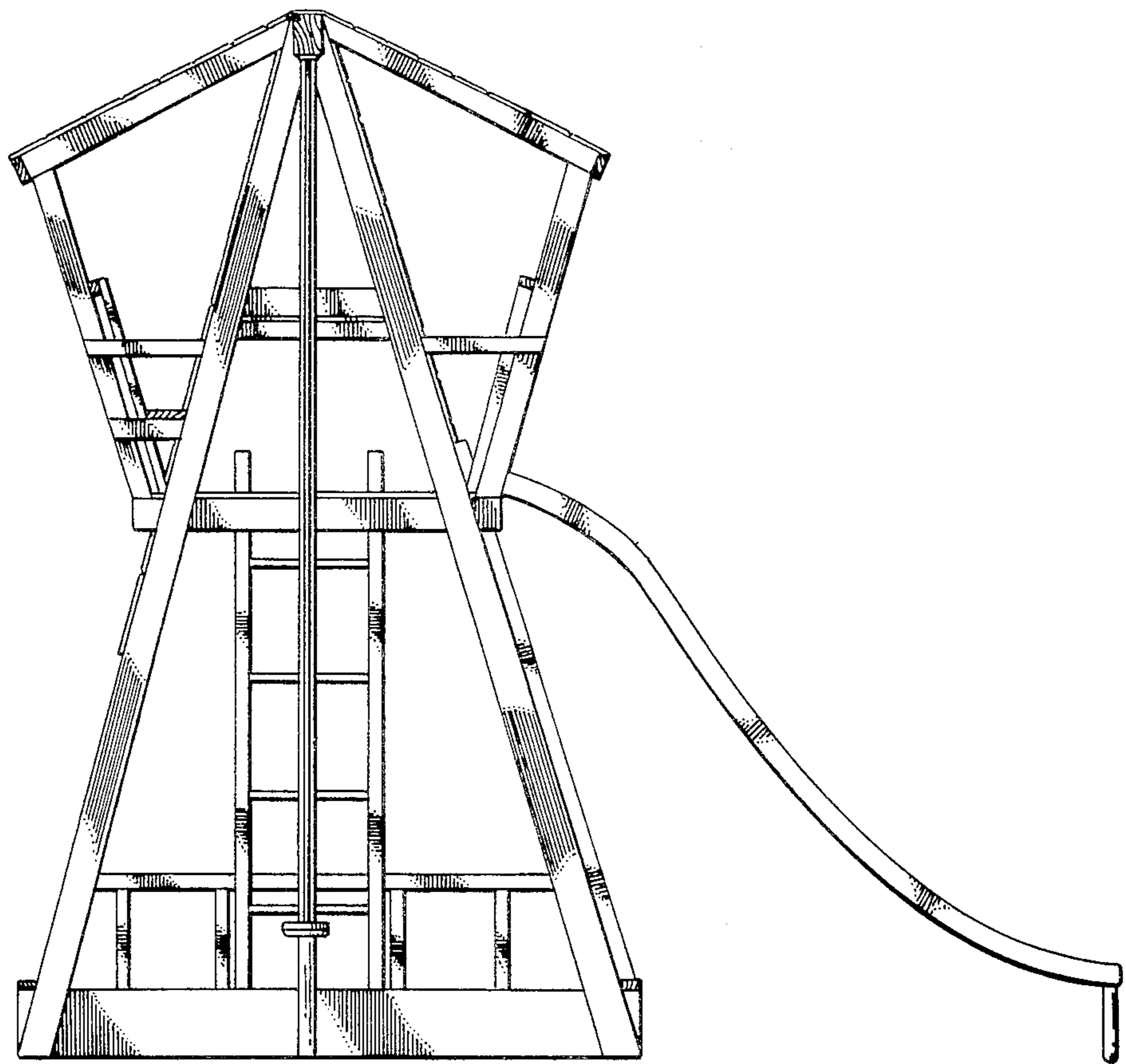


Fig. 4

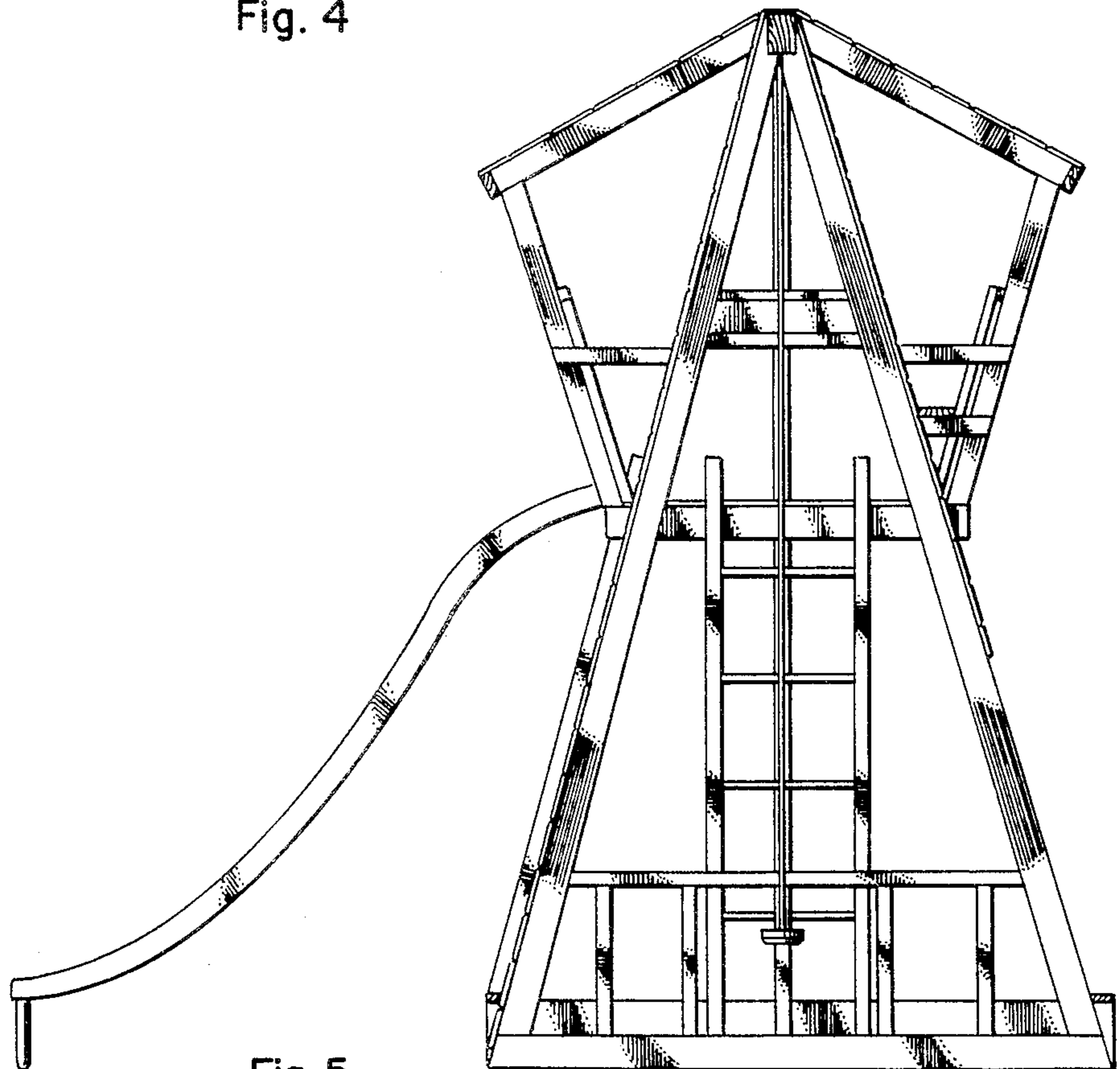


Fig. 5

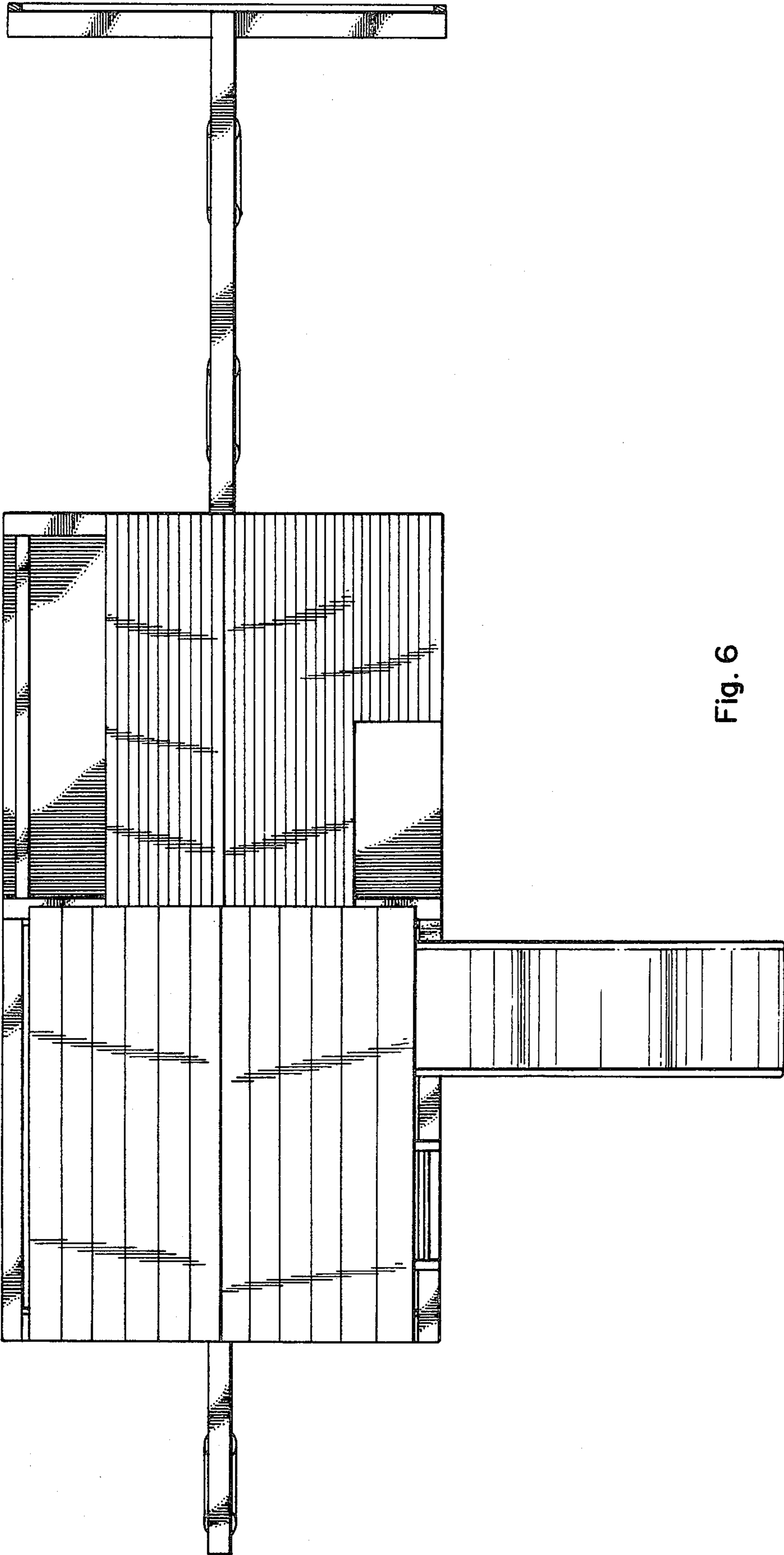


Fig. 6

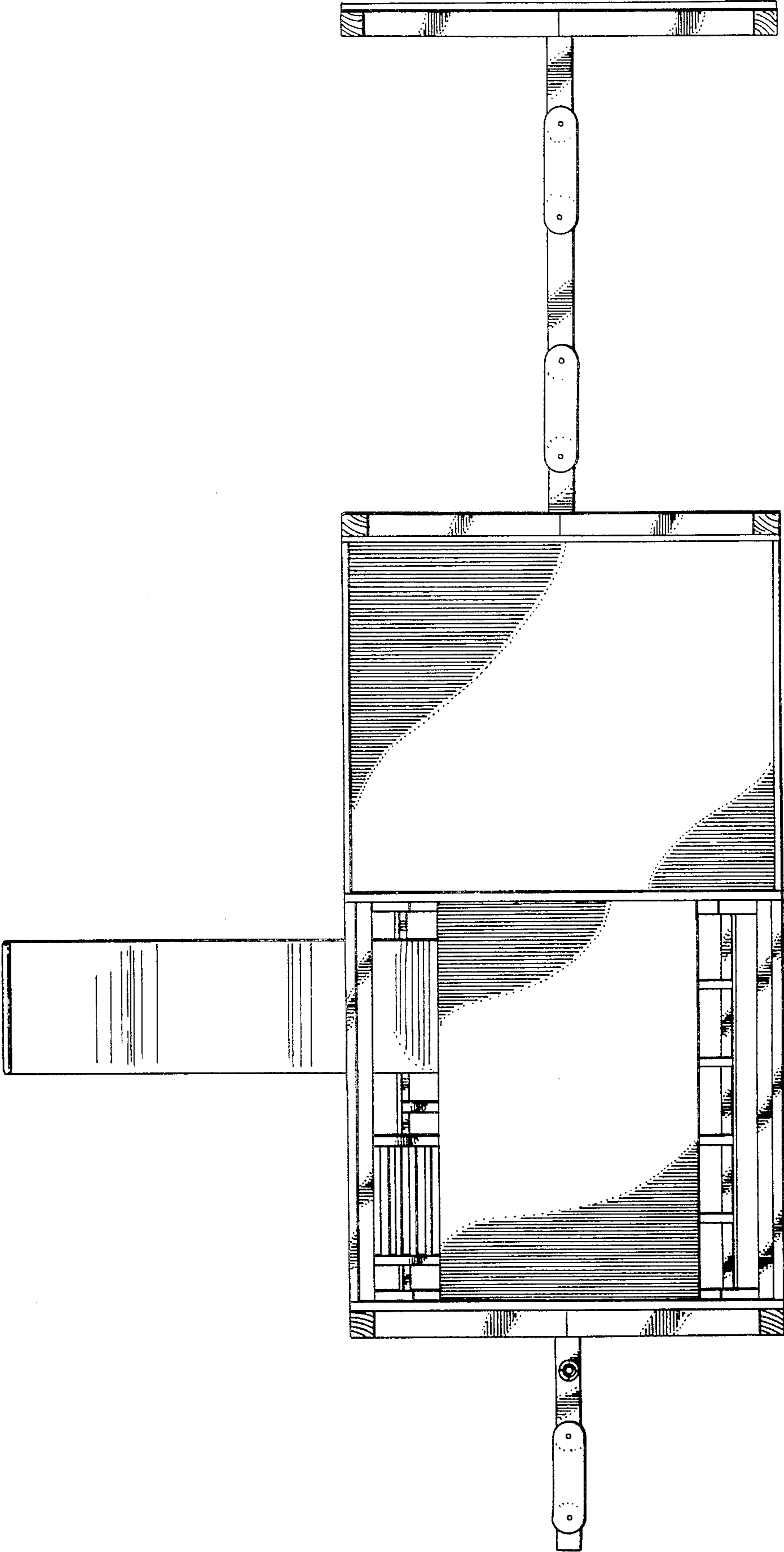


Fig. 7