

# United States Patent [19]

Olsen

[11] Patent Number: **Des. 281,443**

[45] Date of Patent: **\*\* Nov. 19, 1985**

[54] **TOY RAILWAY TRACK SECTION**

[75] Inventor: **Flemming H. Olsen**, Espergaerde, Denmark

[73] Assignee: **Interlego A.G.**, Baar, Switzerland

[\*] Notice: The portion of the term of this patent subsequent to Oct. 15, 1999 has been disclaimed.

[\*\*] Term: **14 Years**

[21] Appl. No.: **448,753**

[22] Filed: **Dec. 10, 1982**

[52] U.S. Cl. .... **D21/143**

[58] Field of Search ..... **D21/143; 446/228, 424, 446/446, 447; 104/1 R, DIG. 1**

[56] **References Cited**

### U.S. PATENT DOCUMENTS

D. 195,679	7/1963	Genin et al. ....	D21/143
D. 249,737	9/1978	Tong .....	D21/143
D. 264,108	4/1982	Tong .....	D21/143
2,265,965	12/1941	Frisbie .....	D21/143

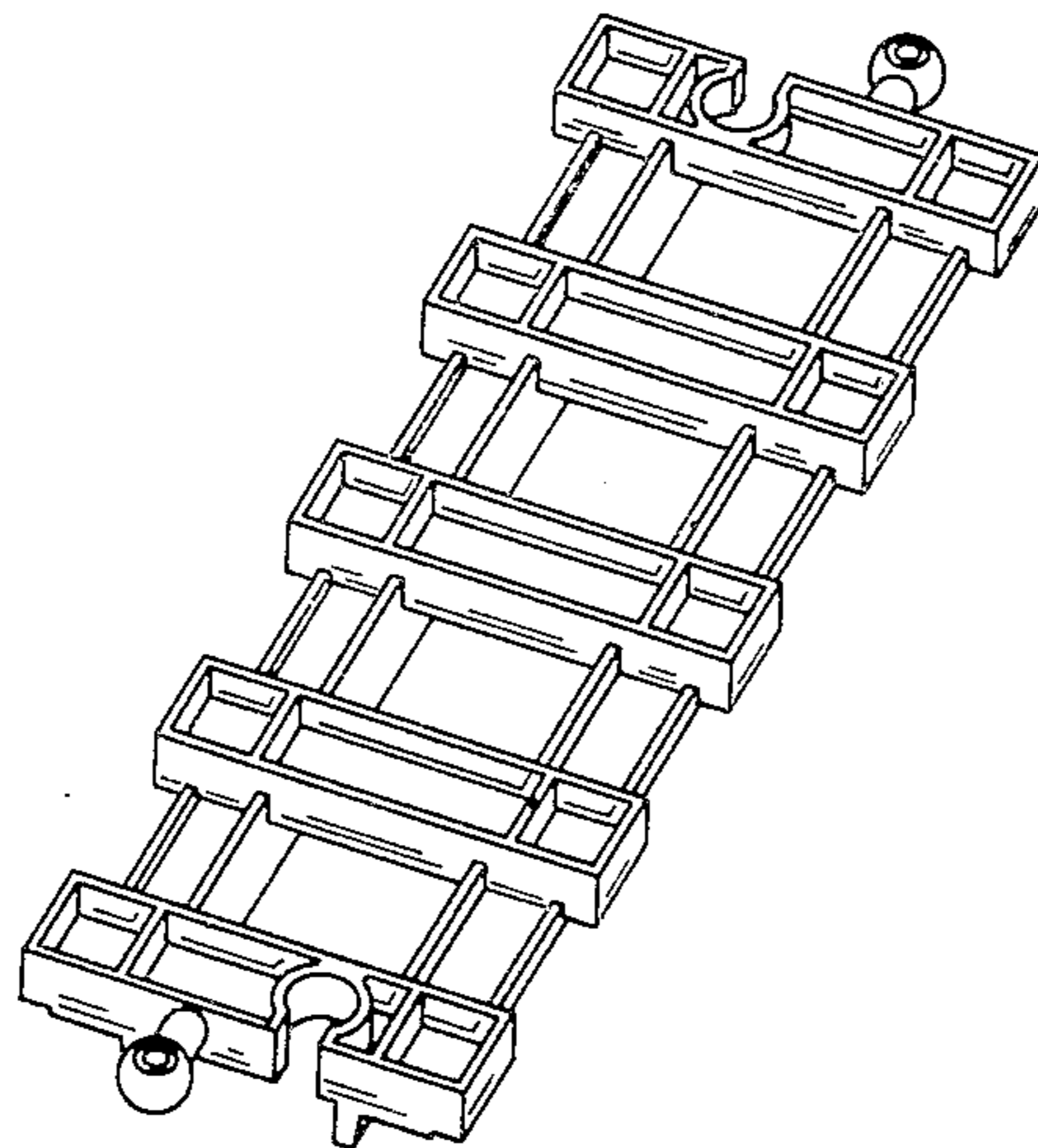
*Primary Examiner*—Charles A. Rademaker  
*Attorney, Agent, or Firm*—Kane, Dalsimer, Kane, Sullivan and Kurucz

[57] **CLAIM**

The ornamental design for a toy railway track section, as shown.

### DESCRIPTION

FIG. 1 is a bottom perspective view of a toy railway track section showing my new design; FIG. 2 is a bottom plan view thereof; FIG. 3 is a front elevational view thereof; FIG. 4 is a side elevational view thereof; and, FIG. 5 is a top plan view thereof.



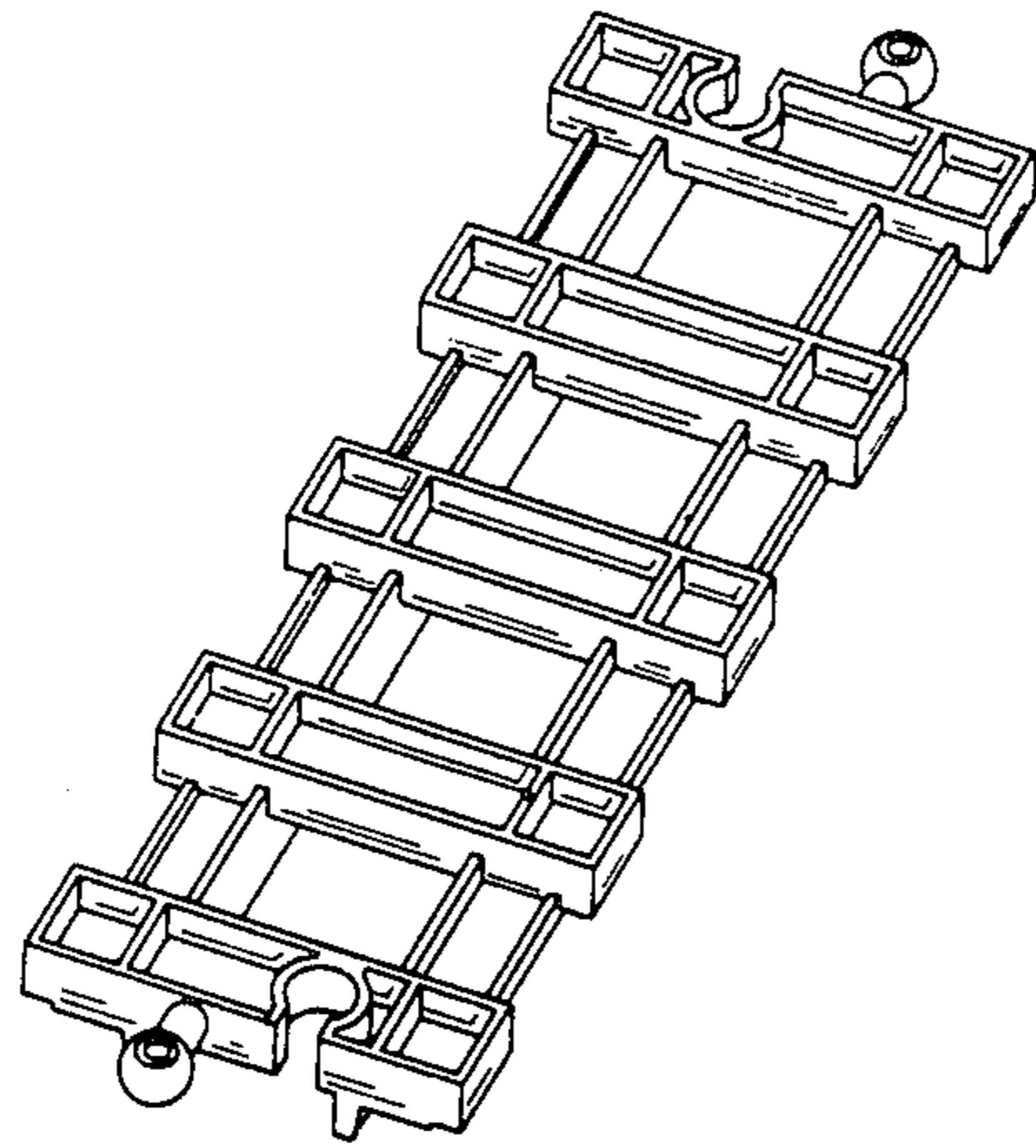


FIG. 1

FIG. 3

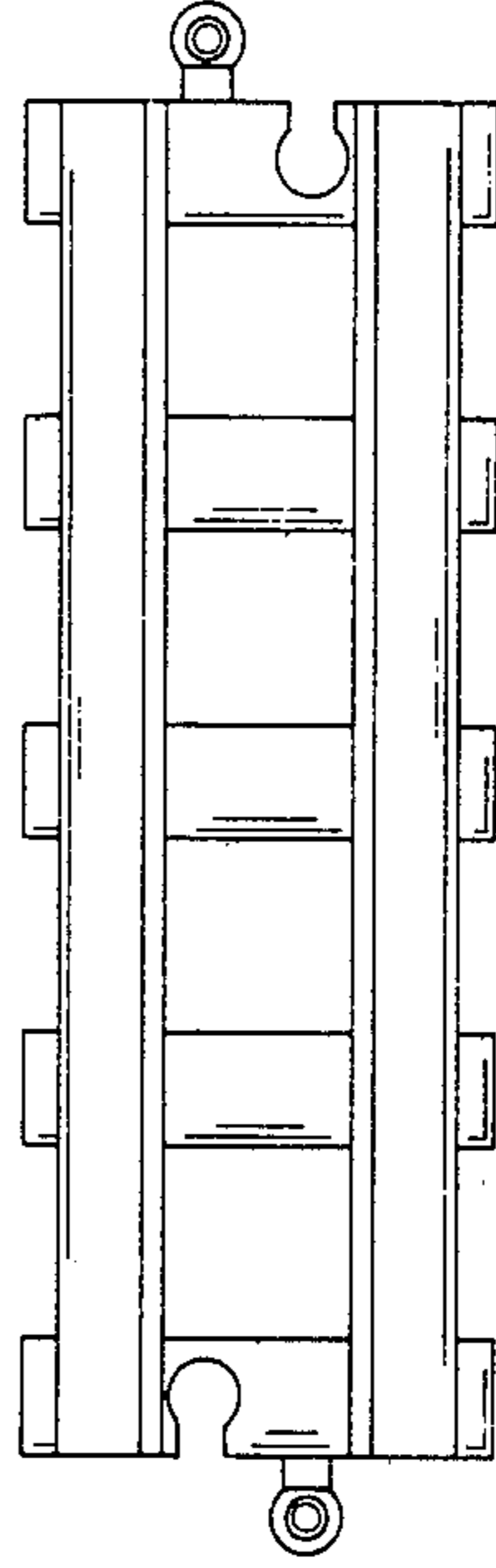
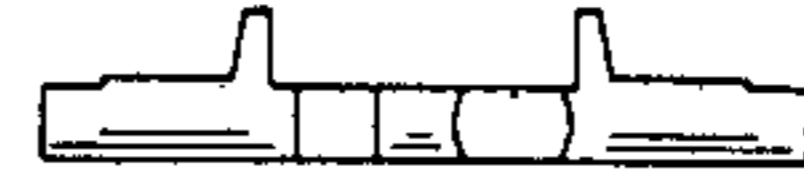


FIG. 5

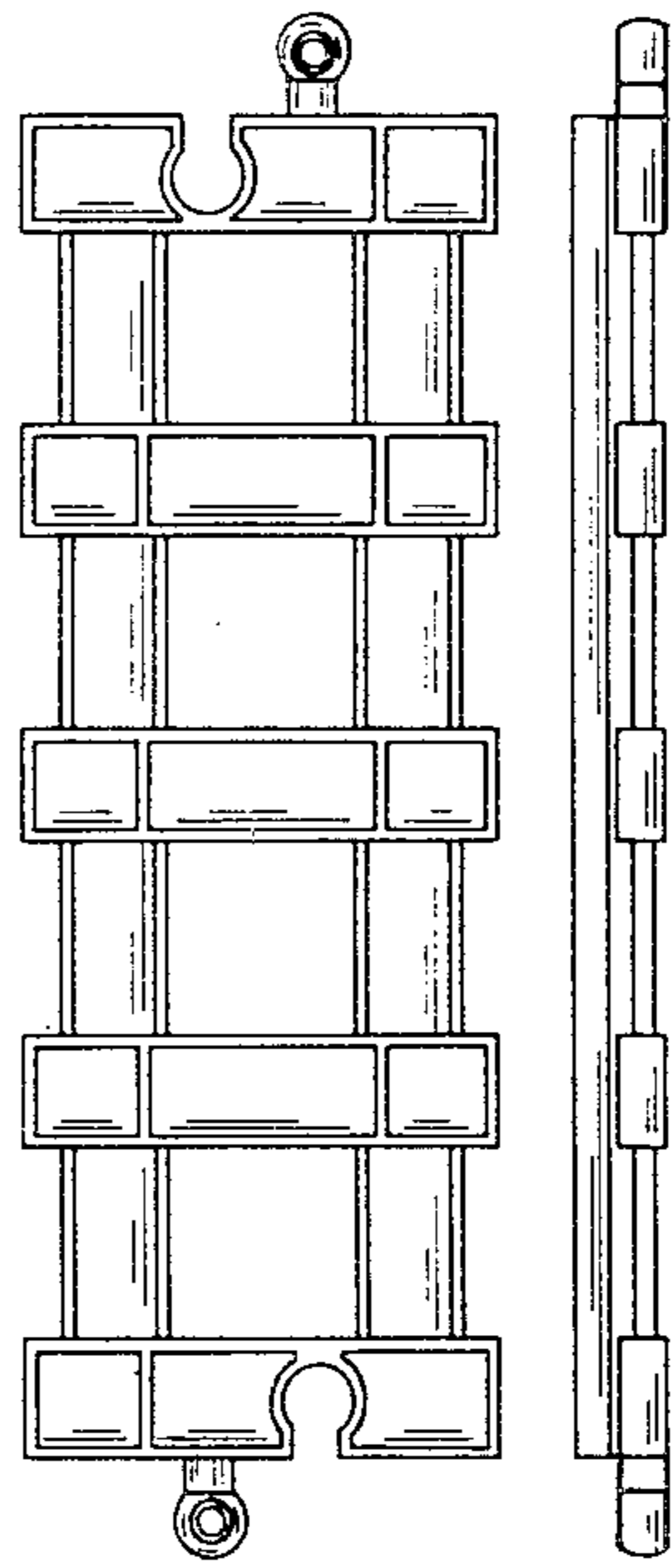


FIG. 2

FIG. 4