

United States Patent [19]

Tam et al.

[11] Patent Number: **Des. 281,441**

[45] Date of Patent: **** Nov. 19, 1985**

[54] TOY MOTORCYCLE

[75] Inventors: **Sin C. Tam; Chong V. Sou**, both of Kowloon, Hong Kong

[73] Assignee: **Evergood Toys Manufacturing Ltd.**, Hong Kong, Hong Kong

[**] Term: **14 Years**

[21] Appl. No.: **492,836**

[22] Filed: **May 9, 1983**

[30] Foreign Application Priority Data

Nov. 17, 1982 [GB] United Kingdom 1009762

[52] U.S. Cl. **D21/134**

[58] Field of Search D21/76, 78, 79, 81, D21/81, 128, 131, 132, 133, 134, 135, 136, 137, 138, 139, 140; 446/440, 451, 465, 466; D12/110; 280/87.01, 87.02, 87.1, 87.2

[56] References Cited

U.S. PATENT DOCUMENTS

D. 221,094 7/1971 Greenwood D21/137
D. 268,772 4/1983 Hanzawa D21/81
D. 275,469 9/1984 Morioka et al. D12/110
D. 276,251 11/1984 Wakimura D21/134
D. 277,743 2/1985 Murakoshi D12/110

Primary Examiner—Charles A. Rademaker
Attorney, Agent, or Firm—Bacon & Thomas

[57] CLAIM

The ornamental design for a toy motorcycle, substantially as shown.

DESCRIPTION

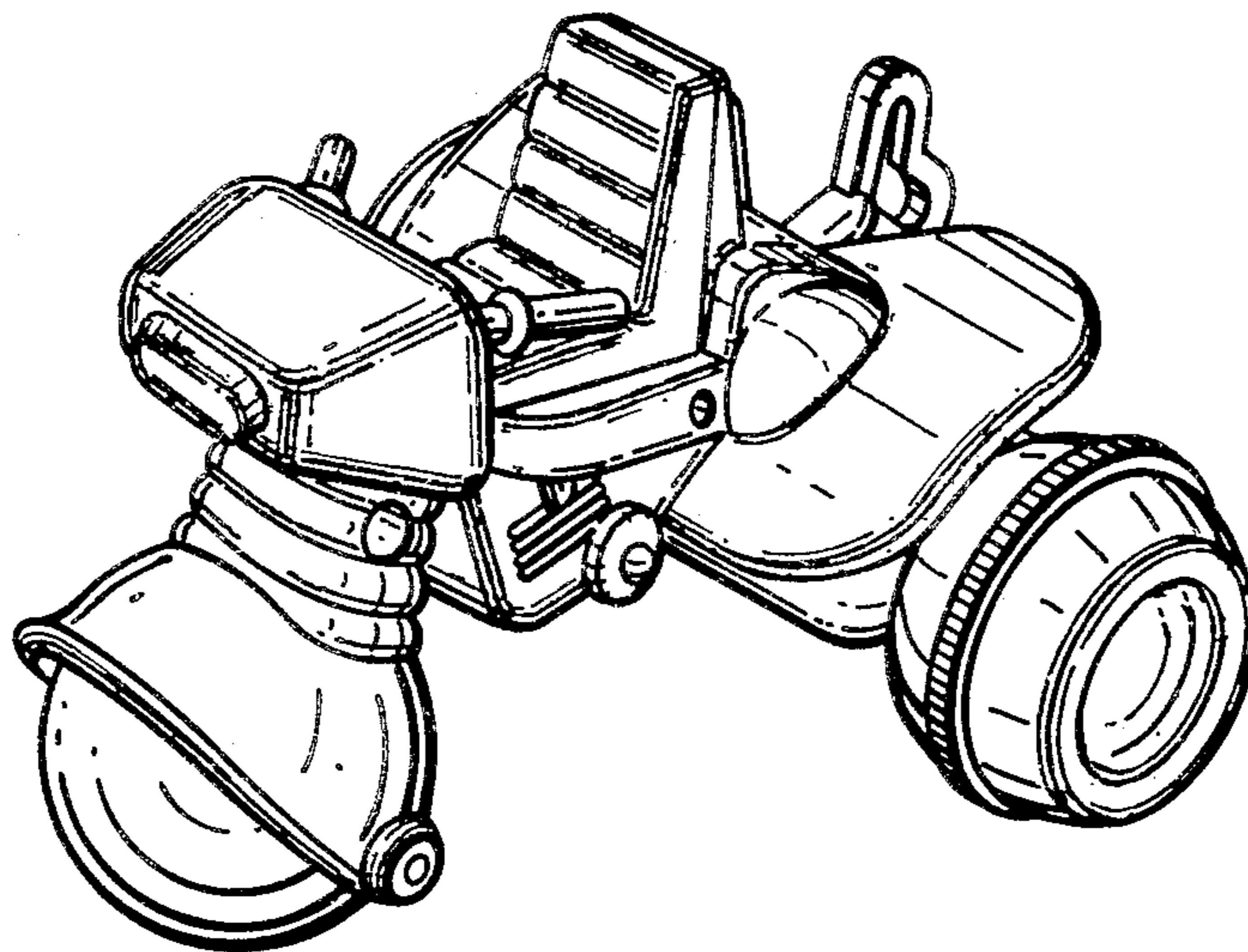
FIG. 1 is a front perspective view of a toy motorcycle showing our new design;

FIG. 2 is a side elevational view thereof;

FIG. 3 is a top plan view thereof;

FIG. 4 is a front elevational view thereof; and,

FIG. 5 is a rear elevational view thereof.



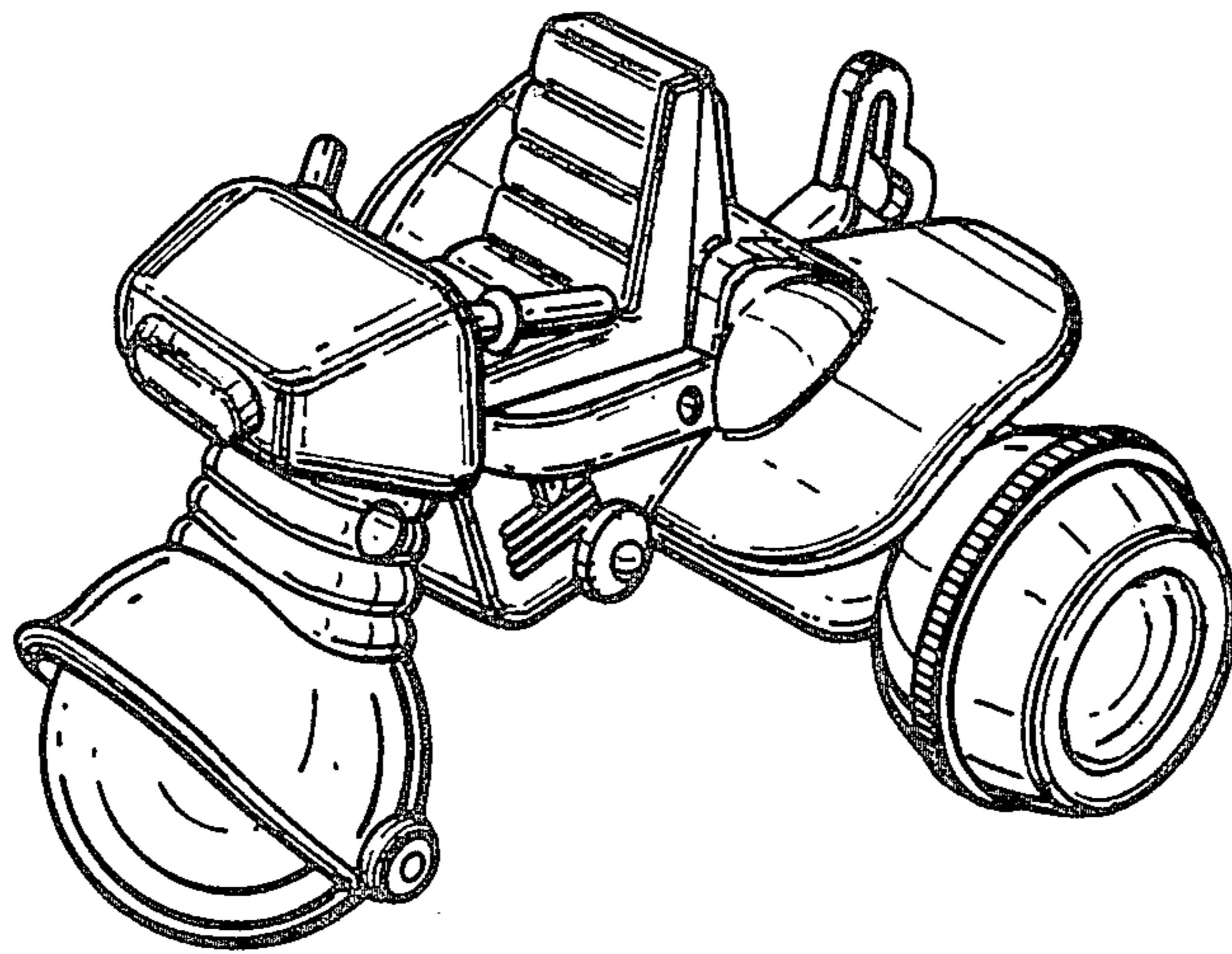


FIG. 1.

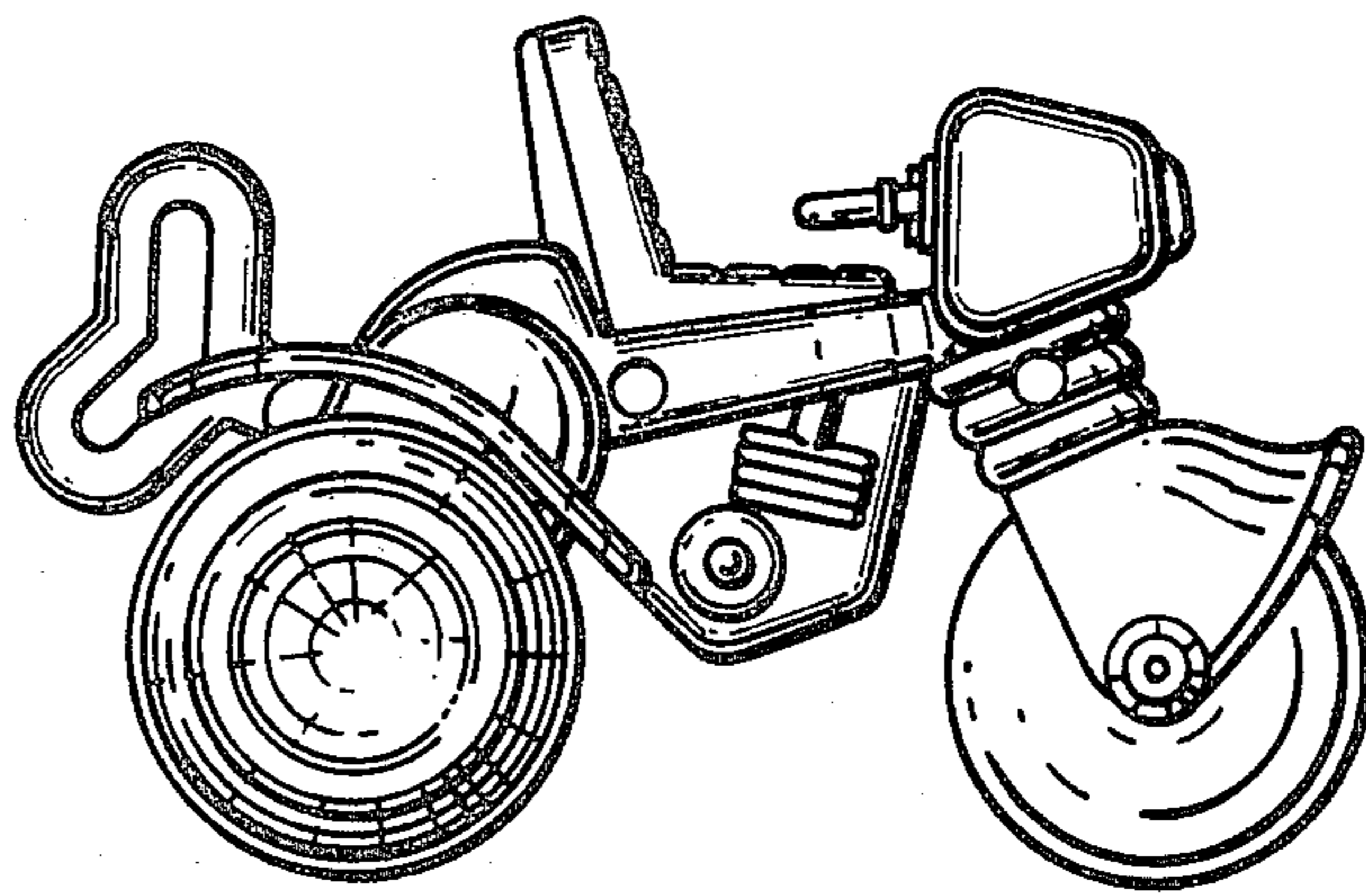


FIG. 2.

FIG. 3.

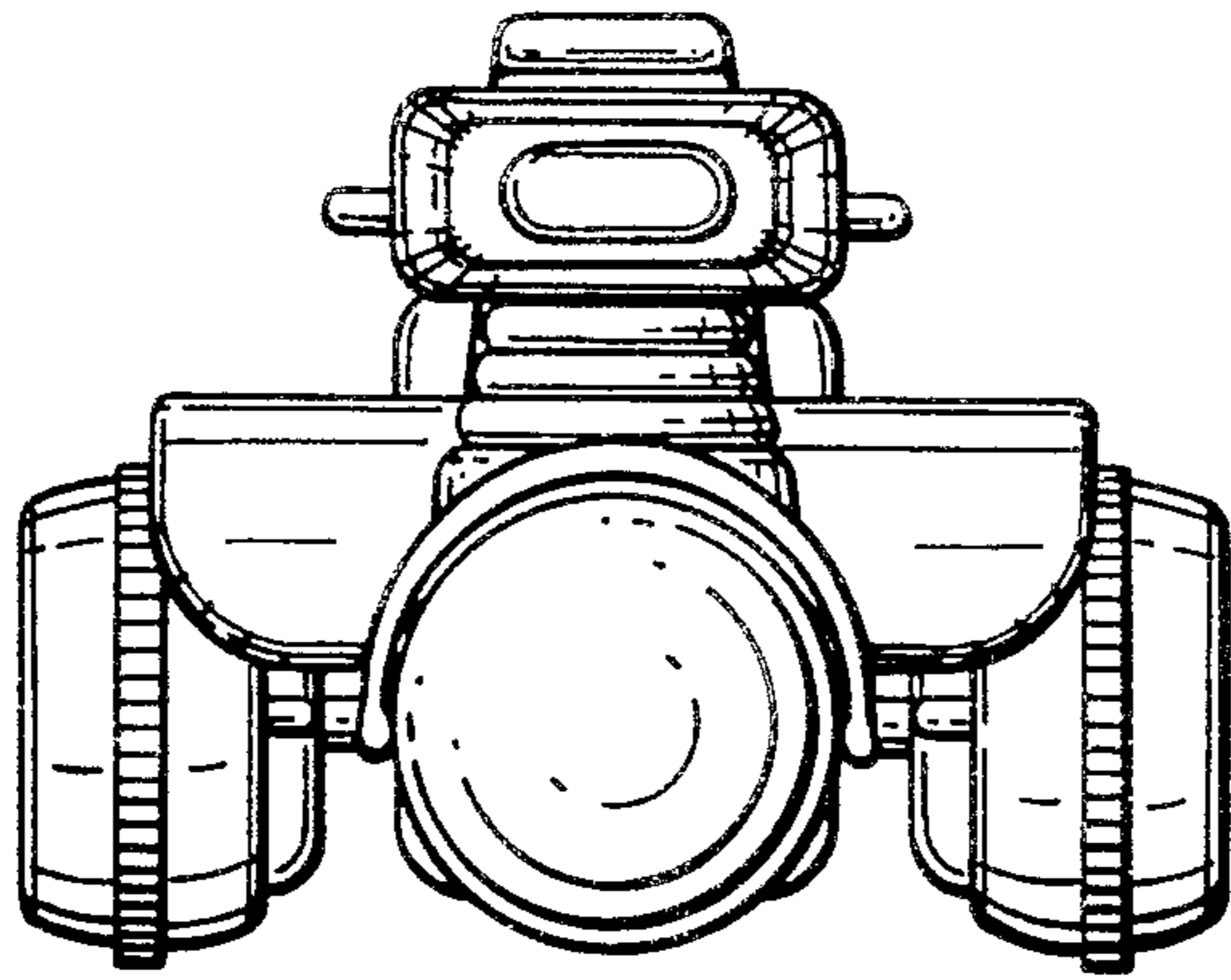
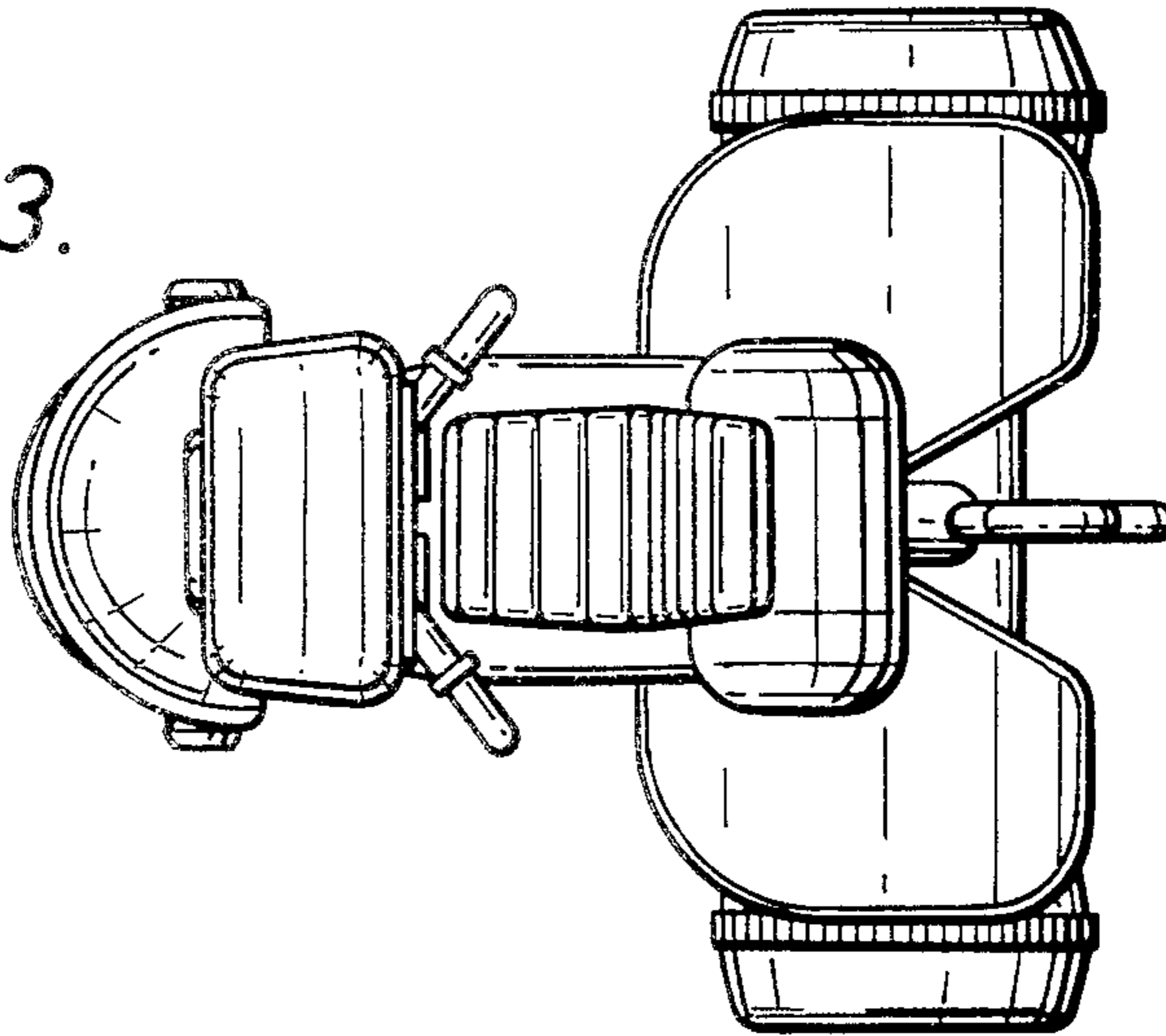


FIG. 4.

FIG. 5.

