

[54] CRIB TOY

[75] Inventor: Dennis C. Wong, Kowloon, Hong Kong

[73] Assignee: Deacon & Co. Limited, Kowloon, Hong Kong

[\*\*] Term: 14 Years

[21] Appl. No.: 490,428

[22] Filed: May 2, 1983

[30] Foreign Application Priority Data

Nov. 18, 1982 [GB] United Kingdom ..... 1009770  
[52] U.S. Cl. .... D21/63  
[58] Field of Search ..... D21/59, 63, 62, 64; 446/227; 434/259, 260, 258; D19/59, 62, 64

[56] References Cited

U.S. PATENT DOCUMENTS

D. 144,582	4/1946	Rassnick .....	D21/63
D. 169,246	4/1953	Eisenberg .....	D21/63
2,327,253	8/1943	Eisel .....	D21/63
2,437,241	3/1948	Burlin .....	D21/63

OTHER PUBLICATIONS

"Just For Kids" Catalog, Xmas, 1980, p. 10, Item A, Baby Exerciser.

Primary Examiner—Charles A. Rademaker  
Attorney, Agent, or Firm—Warren B. Kice

[57] CLAIM

The ornamental design for a crib toy, as shown.

DESCRIPTION

FIG. 1 is a front perspective view of a crib toy showing my new design;  
FIG. 2 is a rear elevational view thereof;  
FIG. 3 is a side elevational view thereof; and,  
FIG. 4 is a bottom plan view thereof.

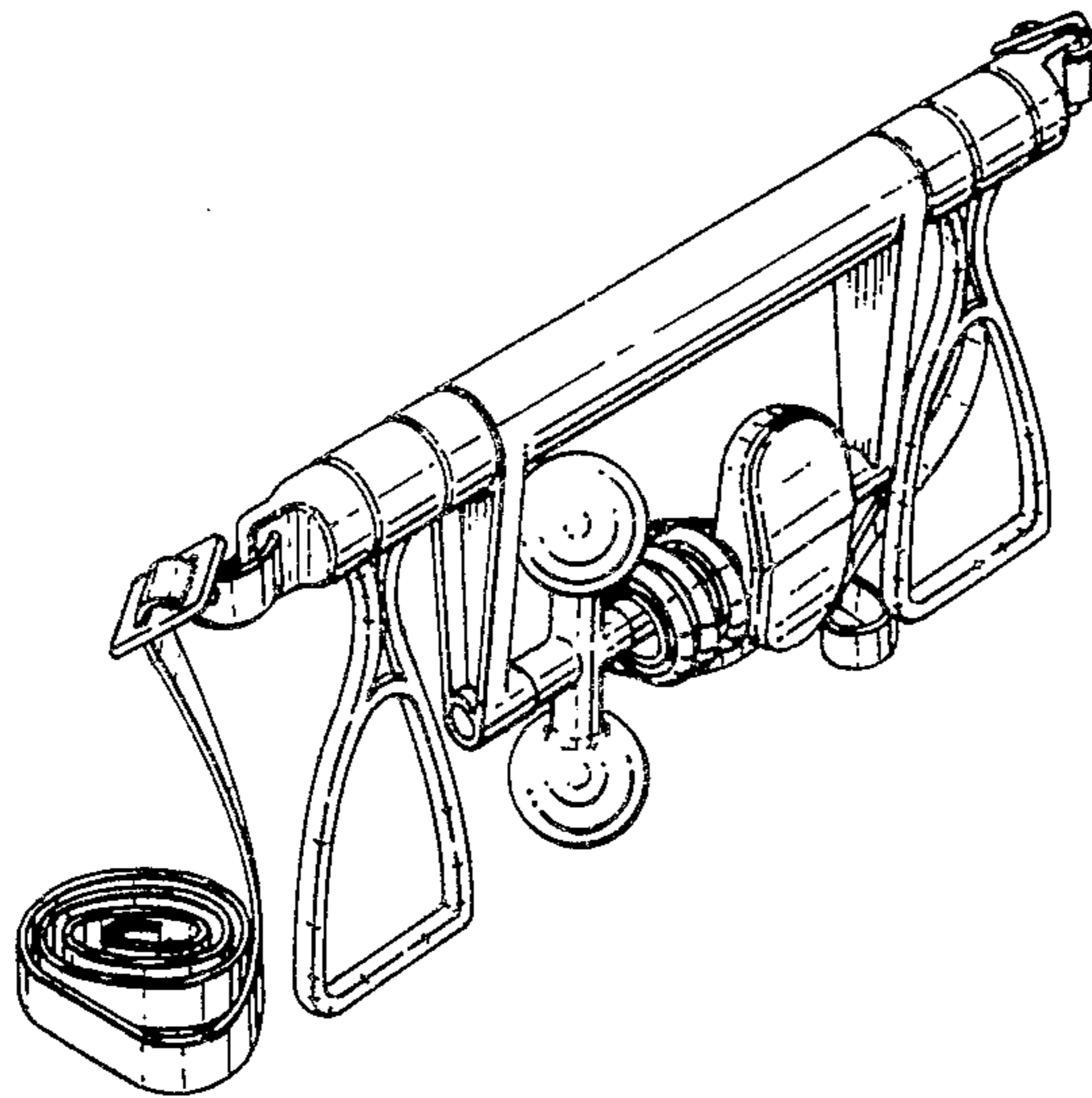
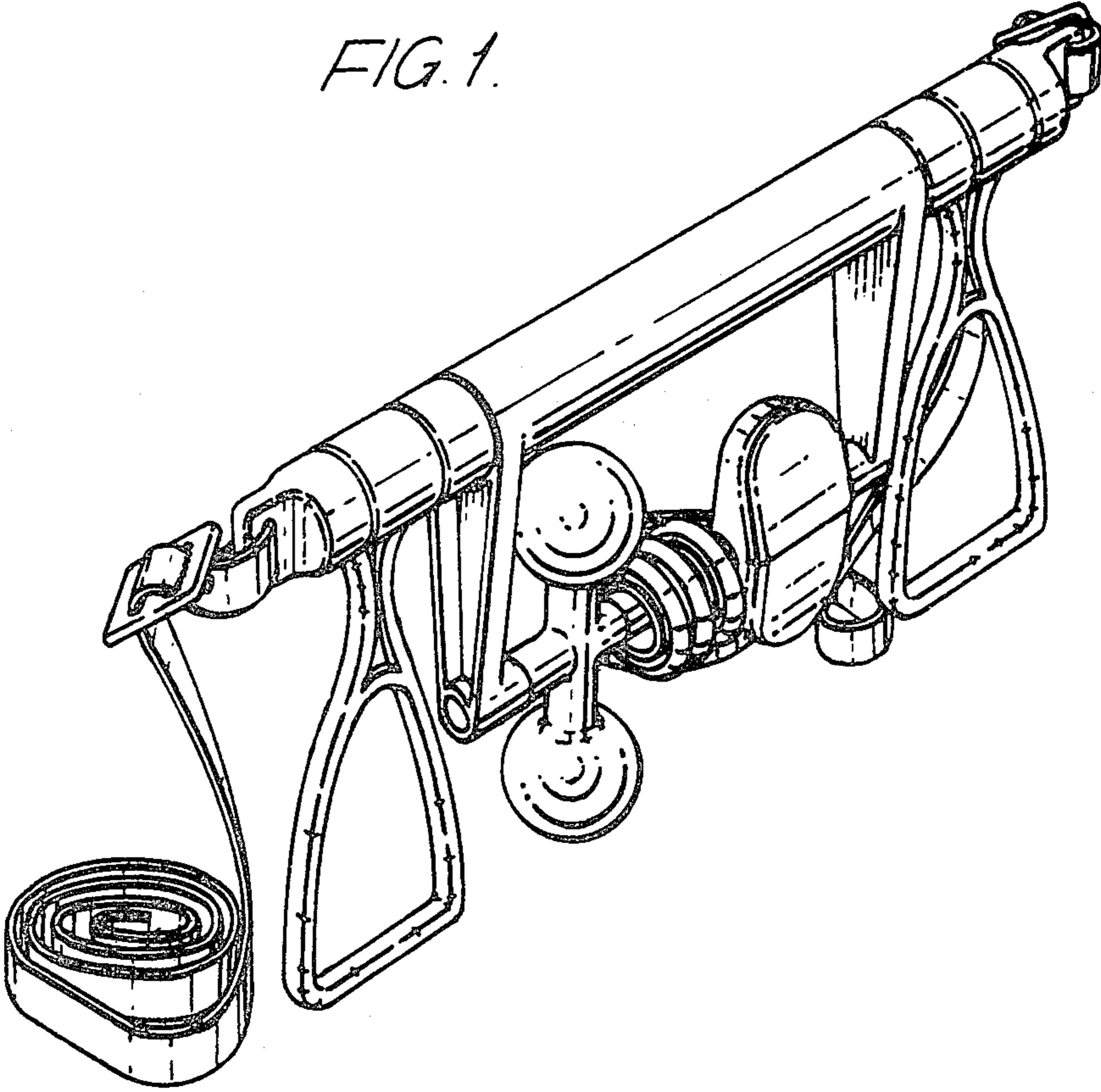


FIG. 1.



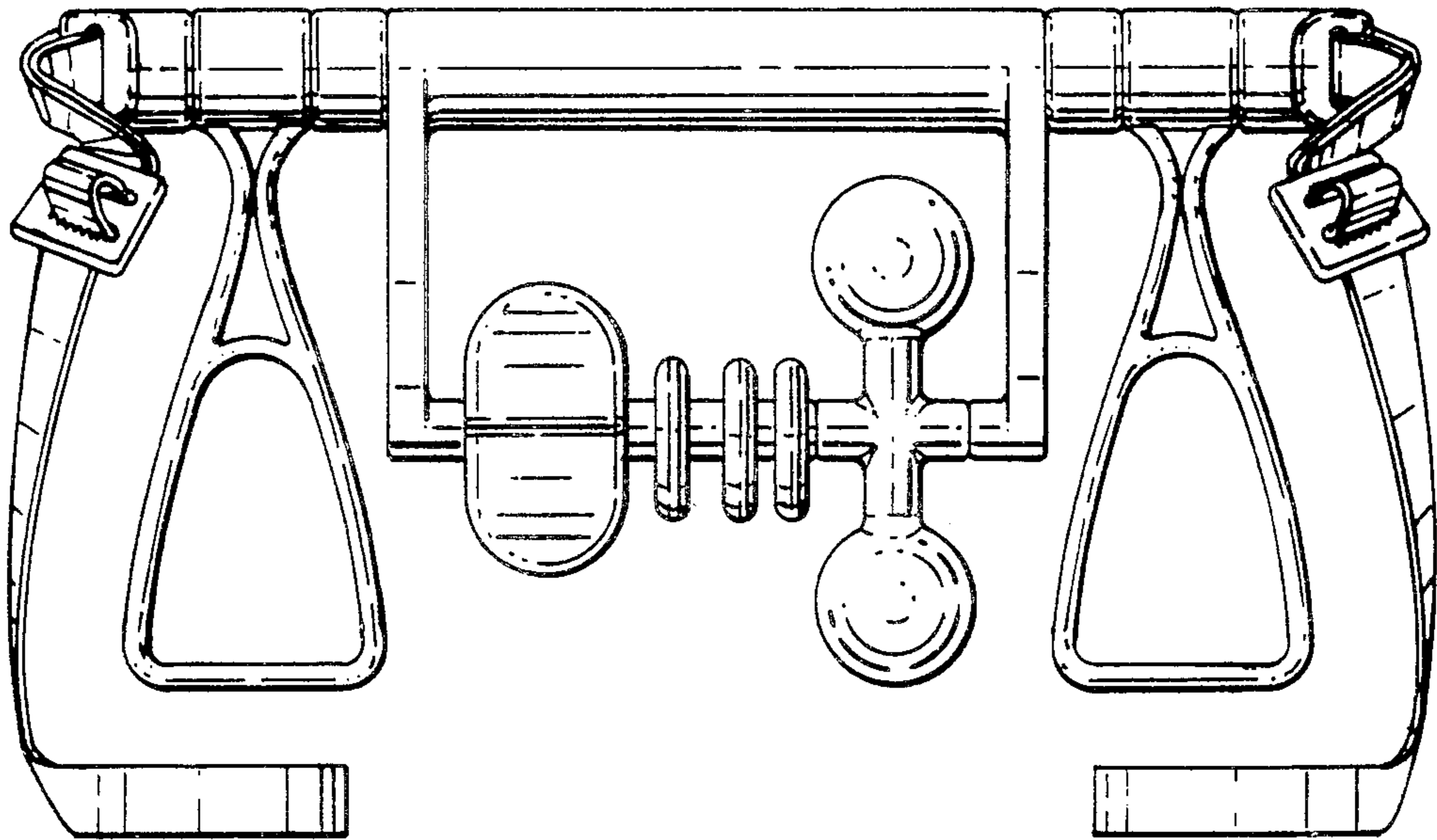


FIG. 2.

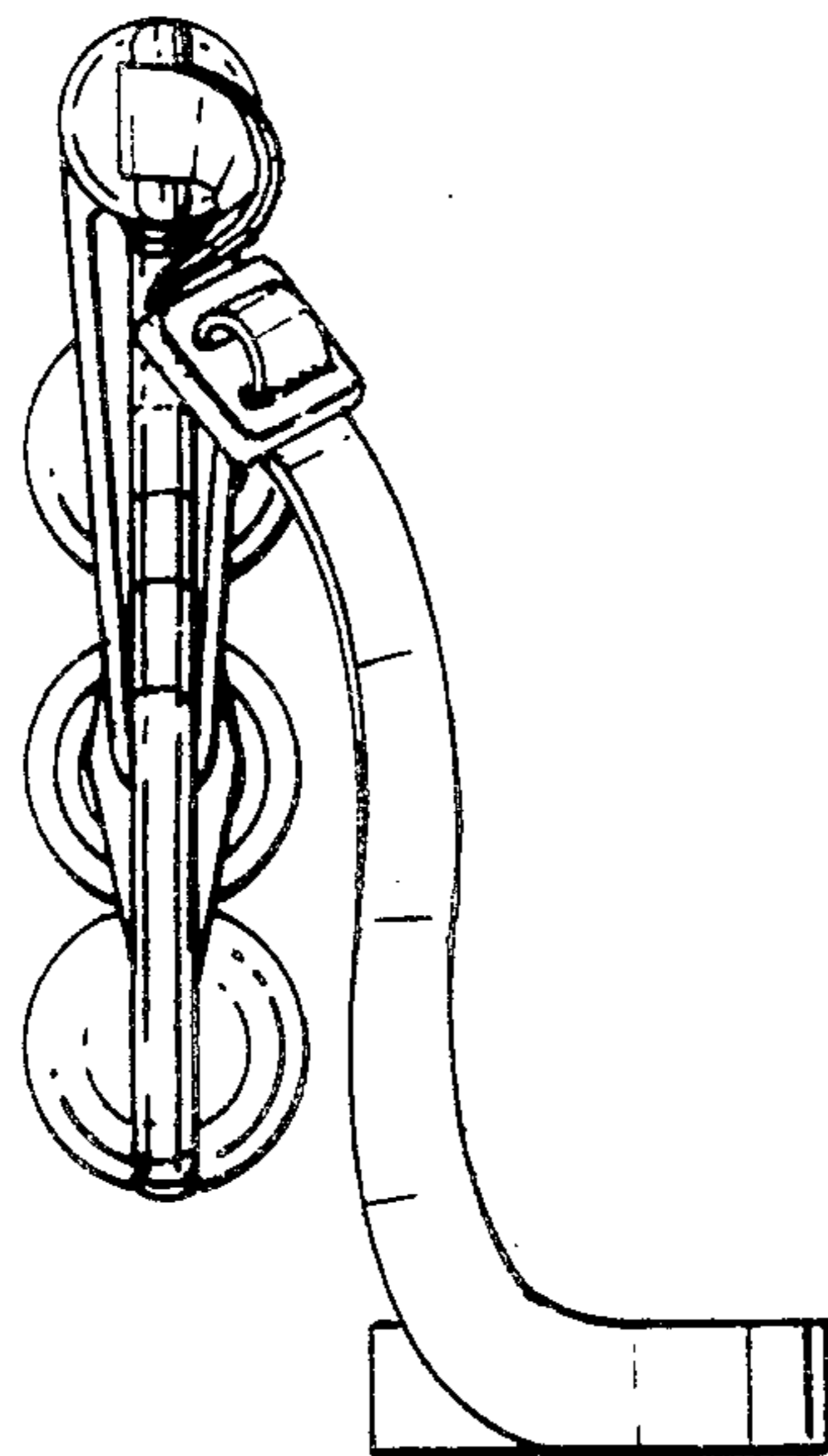


FIG. 3.

FIG. 4.

