

[54] IDENTIFICATION HOLDER FOR A LUGGAGE CASE OR THE LIKE

[75] Inventors: Roger D. Winter, Lakewood; James S. Gregg, Aurora; Daniel R. Skewis, Westminster, all of Colo.

[73] Assignee: Samsonite Corporation, Denver, Colo.

[**] Term: 14 Years

[21] Appl. No.: 516,750

[22] Filed: Jul. 25, 1983

[52] U.S. Cl. D20/43; D3/99

[58] Field of Search D3/30.1, 54, 71, 76, D3/77, 39, 78, 99; 190/102, 115, 109; D20/40-44; D9/415, 418, 420, 423, 432, 337; 40/10 R, 10 D, 10 A, 16

[56] References Cited

U.S. PATENT DOCUMENTS

- D. 130,273 11/1941 Jensen D9/423
- D. 202,446 9/1965 Braun D9/423
- D. 206,518 12/1966 Evans D20/42
- D. 269,053 5/1983 Castelli D3/74

- 3,380,573 4/1968 Gulotta D9/423
- 3,497,907 3/1970 Colina D9/423
- 4,177,587 12/1979 Dorsen 40/10 D

FOREIGN PATENT DOCUMENTS

- 195493 4/1923 United Kingdom D9/420

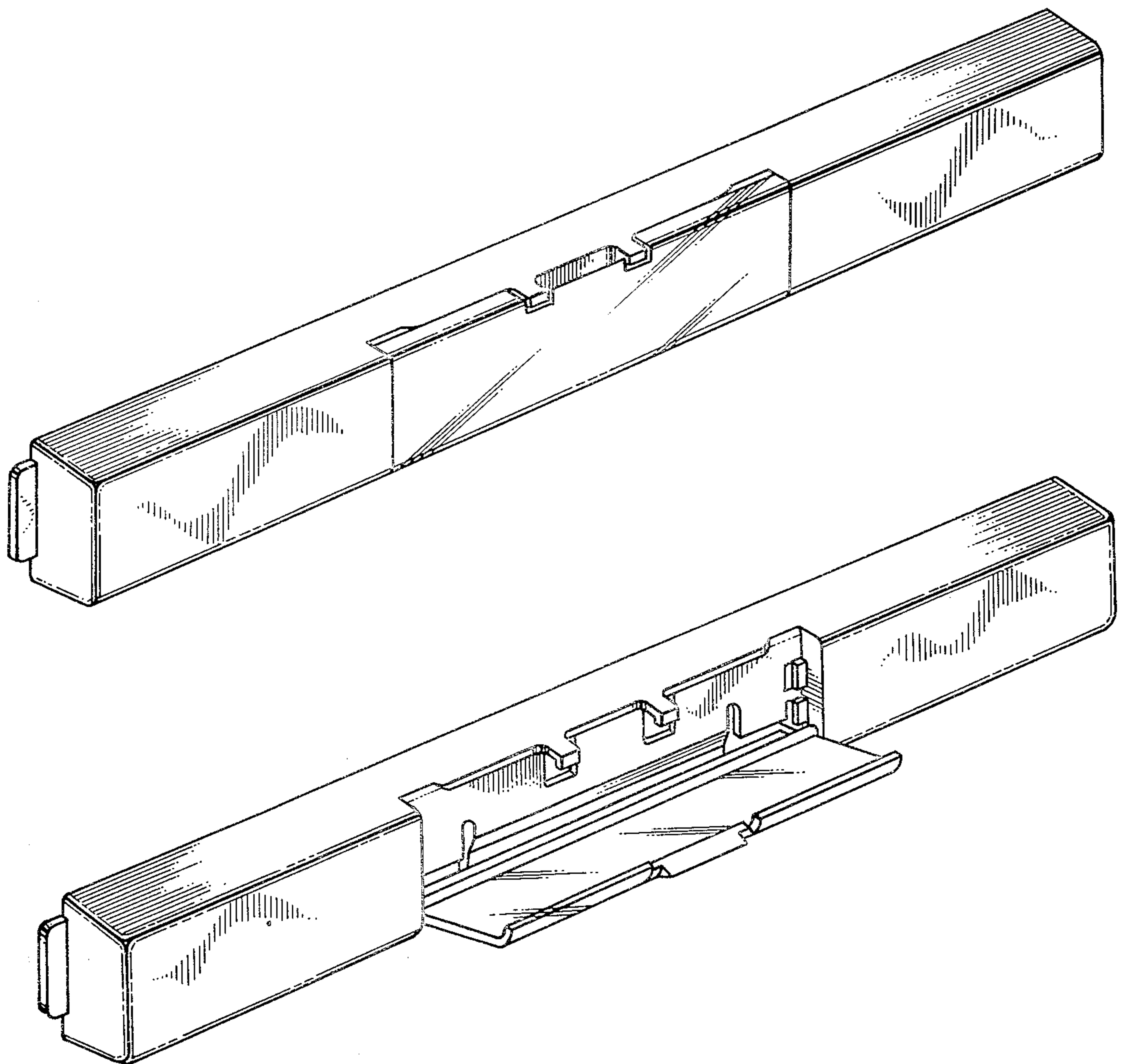
Primary Examiner—George P. Word
Attorney, Agent, or Firm—George J. Netter

[57] CLAIM

The ornamental design for an identification holder for a luggage case or the like, as shown and described.

DESCRIPTION

FIG. 1 is a perspective view of an identification holder for a luggage case or the like showing our new design. FIG. 2 is a front elevational view. FIG. 3 is an end elevational view. FIG. 4 is a top plan view. FIG. 5 is a rear elevation view. FIG. 6 is a bottom plan view. FIG. 7 is a perspective similar to FIG. 1 with the holder lid open; and FIG. 8 is an end elevational view similar to FIG. 3 with the holder lid open.



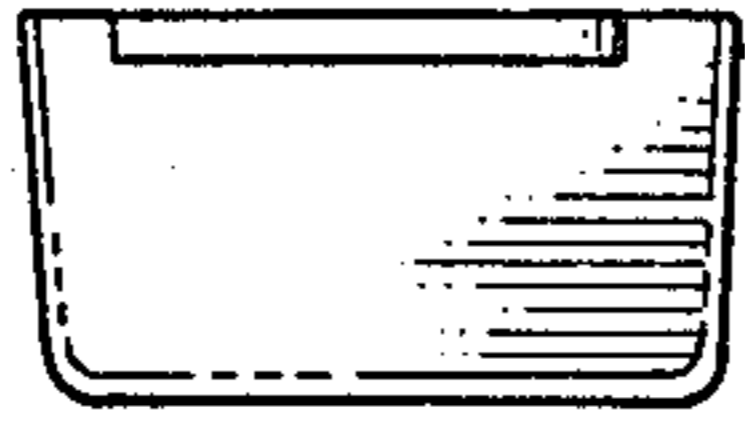
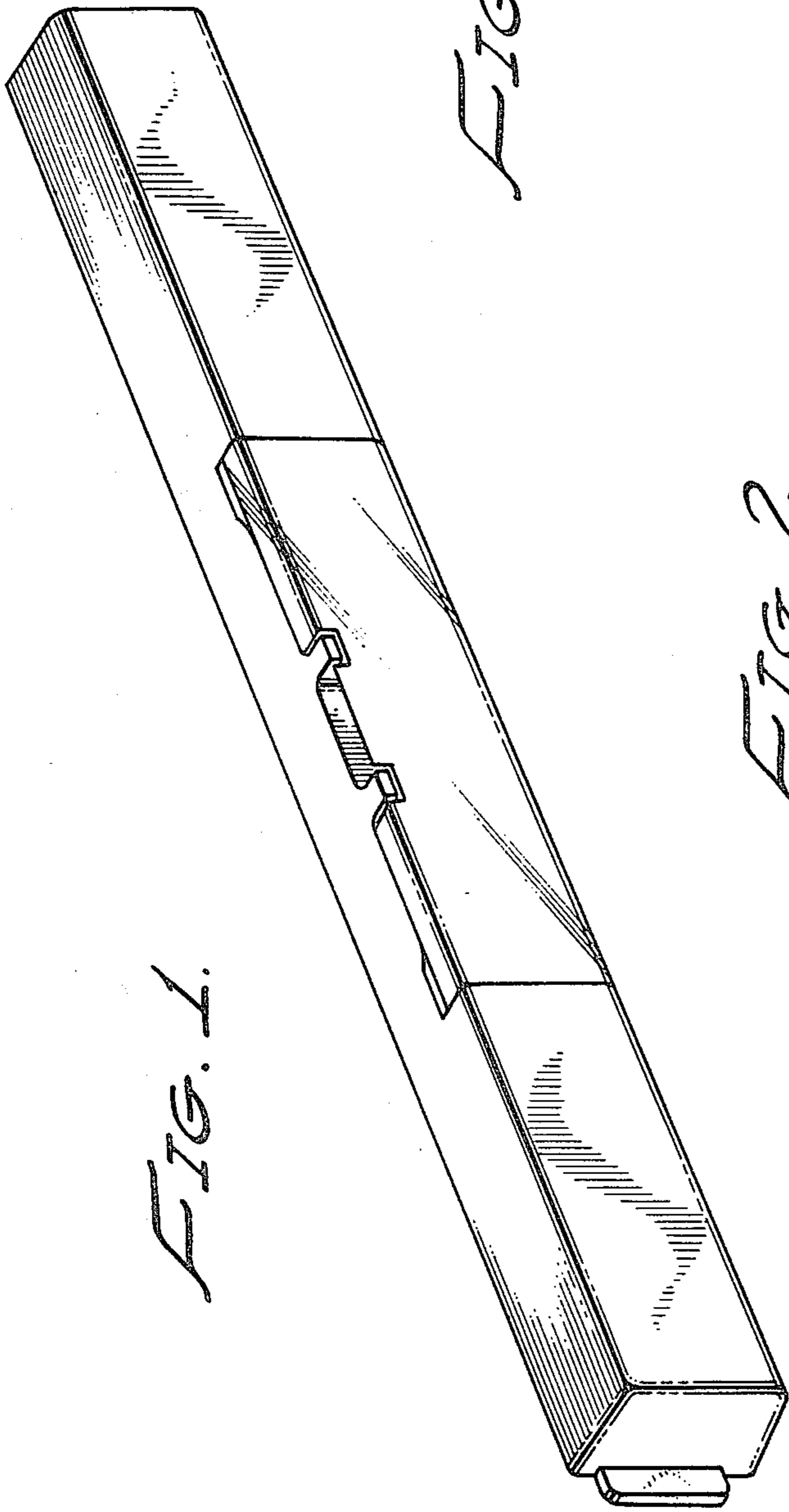


FIG. 2.

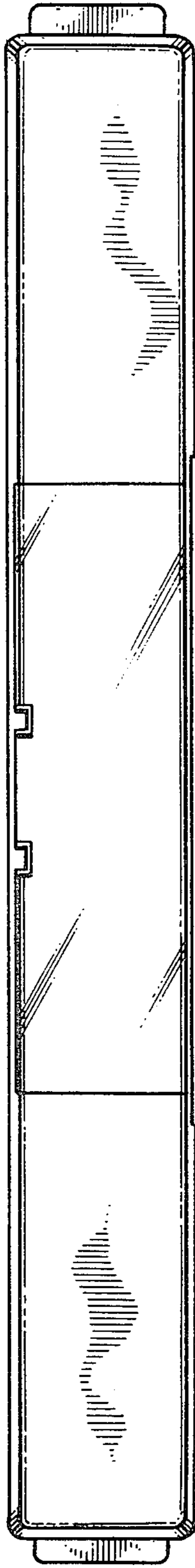
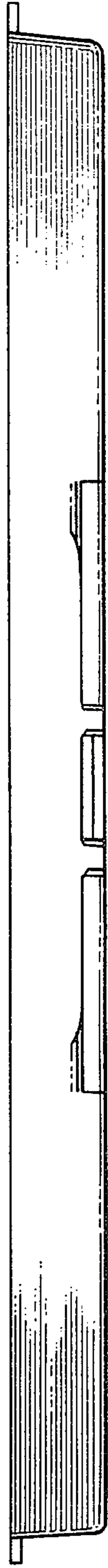


FIG. 4.



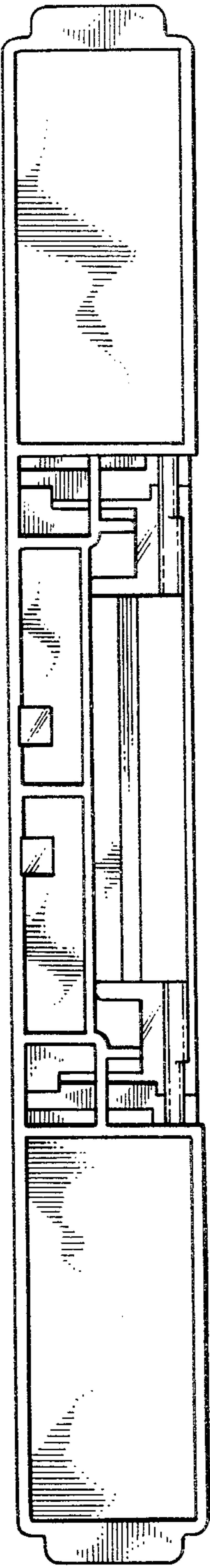


FIG. 5.

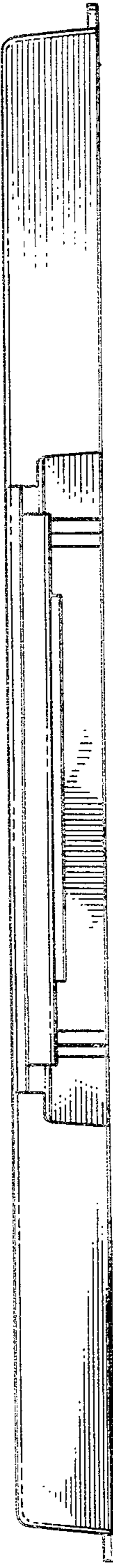


FIG. 6.

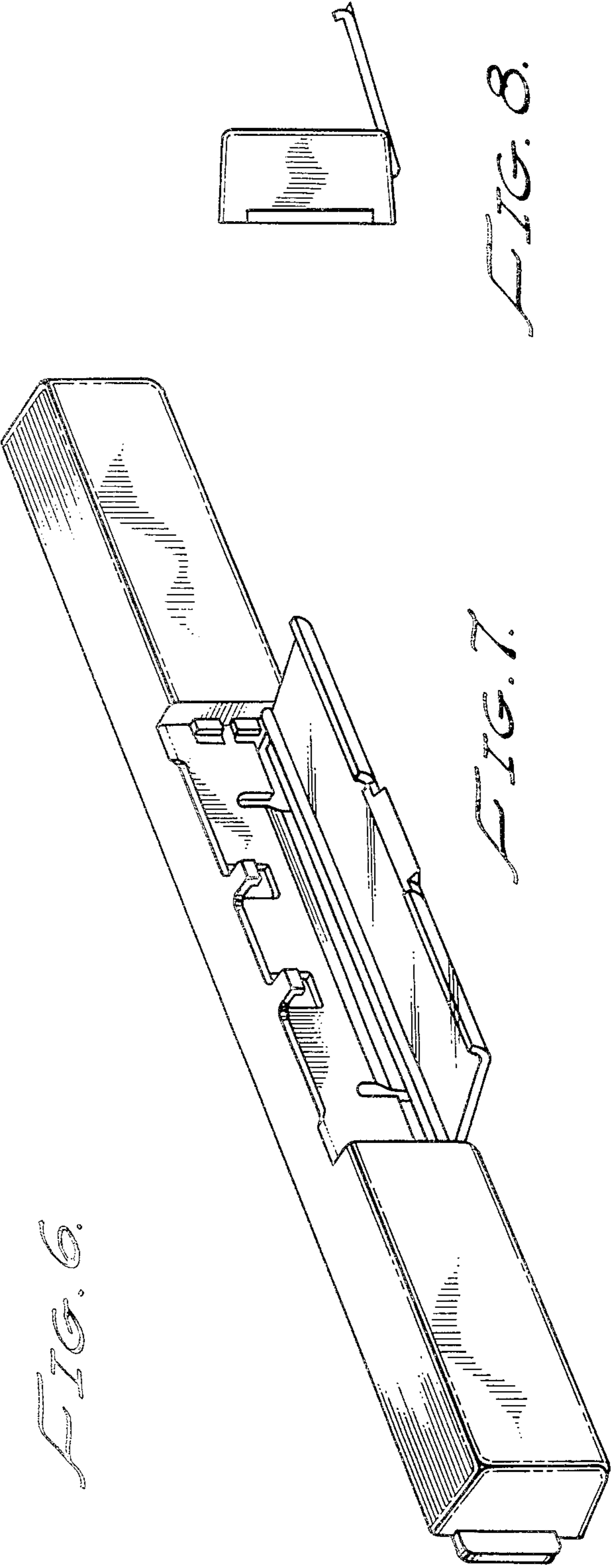


FIG. 7.

FIG. 8.