

[54] HEADSTOCK FOR A MULTIPURPOSE WOODWORKING TOOL

[75] Inventors: Charles J. Haas, Middletown; Michael J. Duwell, Cincinnati, both of Ohio

[73] Assignee: Shopsmith, Inc., Dayton, Ohio

[**] Term: 14 Years

[21] Appl. No.: 552,587

[22] Filed: Nov. 16, 1983

[52] U.S. Cl. D15/125; D15/127; D15/130; D15/133

[58] Field of Search D15/130, 124-126, D15/127, 133; 82/28 R; 144/1 R

[56] References Cited

U.S. PATENT DOCUMENTS

| | | | | |
|------------|--------|-------------|-------|---------|
| D. 135,905 | 6/1943 | McConnell | | D15/130 |
| D. 176,960 | 2/1956 | Lindee, Jr. | | D15/130 |
| 2,382,608 | 8/1945 | Connell | | 82/28 R |

| | | | | |
|-----------|---------|-------------|-------|---------|
| 2,885,897 | 5/1959 | Pethgrew | | 82/28 R |
| 3,012,441 | 12/1961 | Lamb et al. | | 144/1 R |
| 3,316,946 | 5/1967 | Ryan et al. | | 144/1 R |

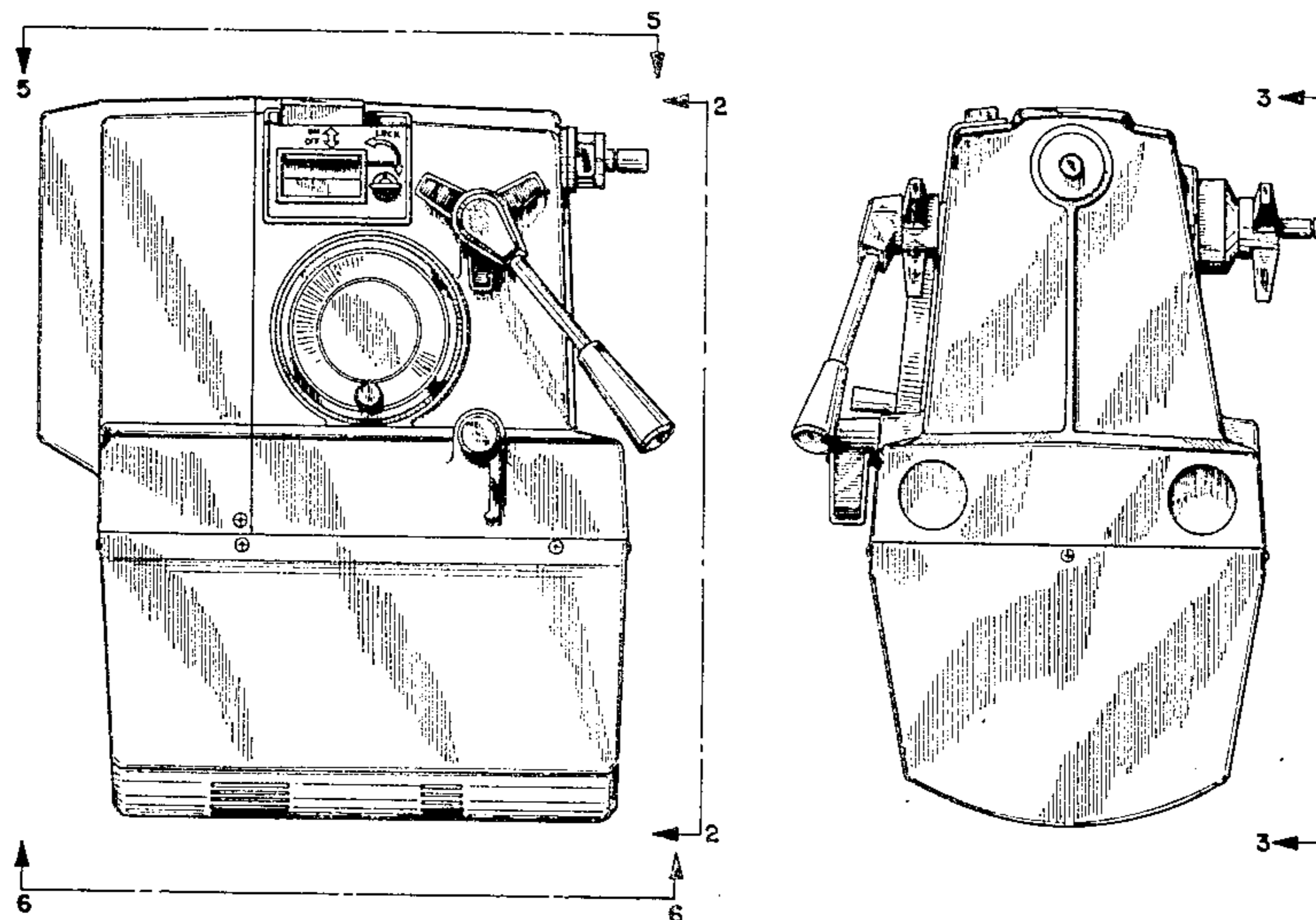
Primary Examiner—B. J. Bullock
Attorney, Agent, or Firm—Biebel, French & Nauman

[57] CLAIM

The ornamental design for a headstock for a multipurpose woodworking tool, substantially as shown and described.

DESCRIPTION

FIG. 1 is a left side elevation of a headstock for a multipurpose woodworking tool showing our new design; FIG. 2 is a front elevation taken at line 2—2 of FIG. 1; FIG. 3 is a right side elevation taken at line 3—3 of FIG. 1; FIG. 4 is a rear elevation taken at line 4—4 of FIG. 3; FIG. 5 is a top plan view taken at line 5—5 of FIG. 1; and FIG. 6 is a bottom plan view taken at line 6—6 of FIG. 1.



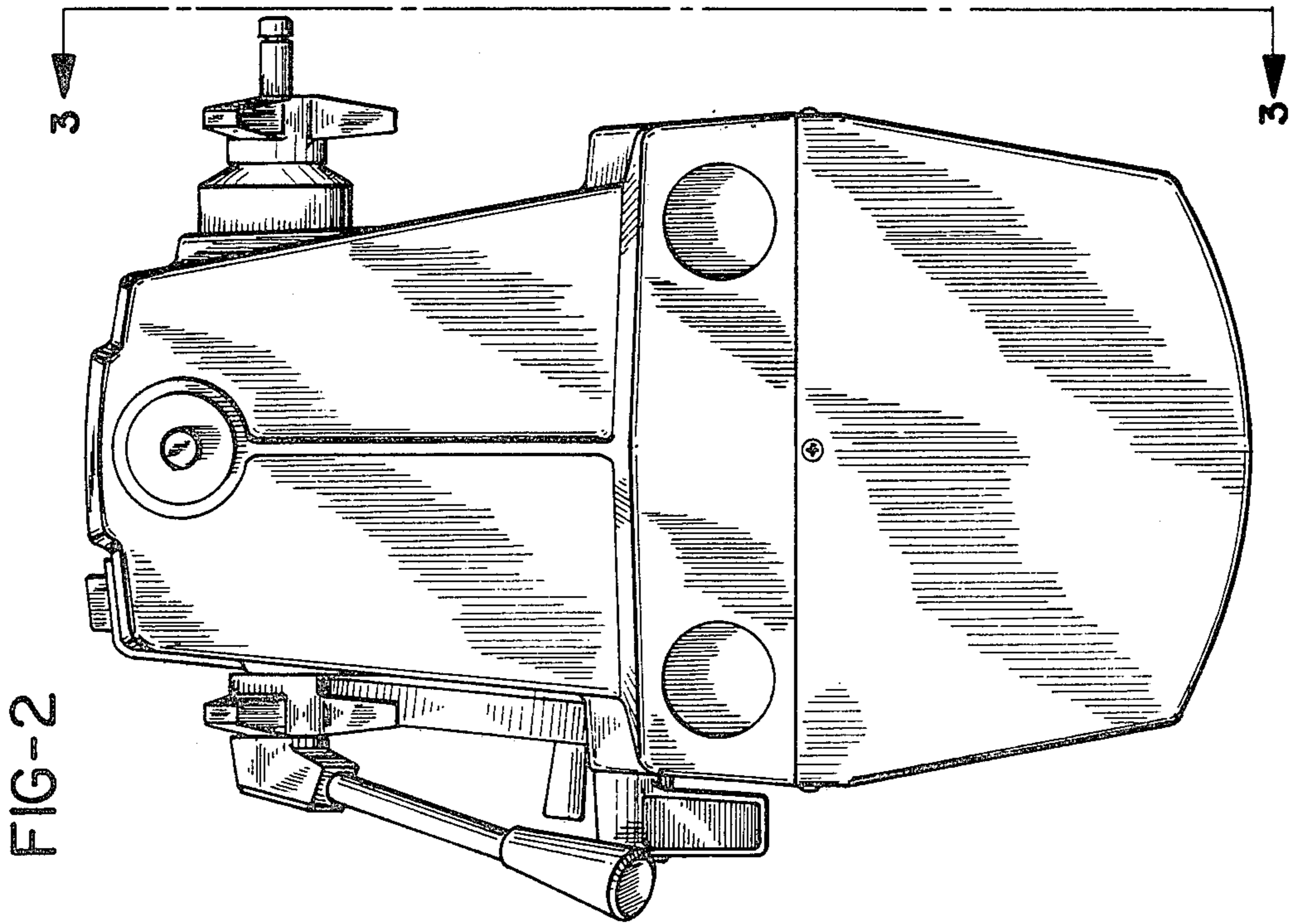


FIG-2

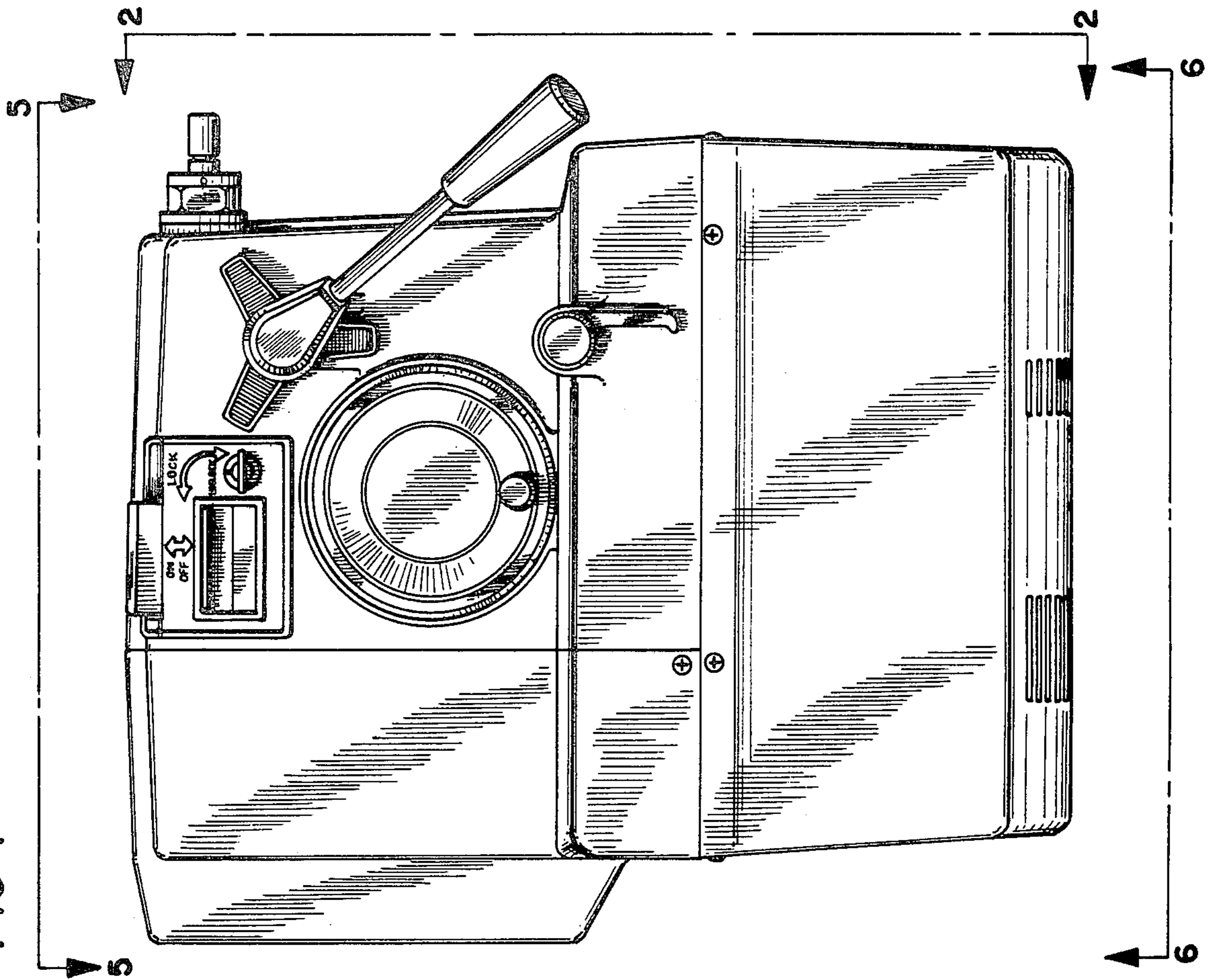


FIG-1

FIG-4

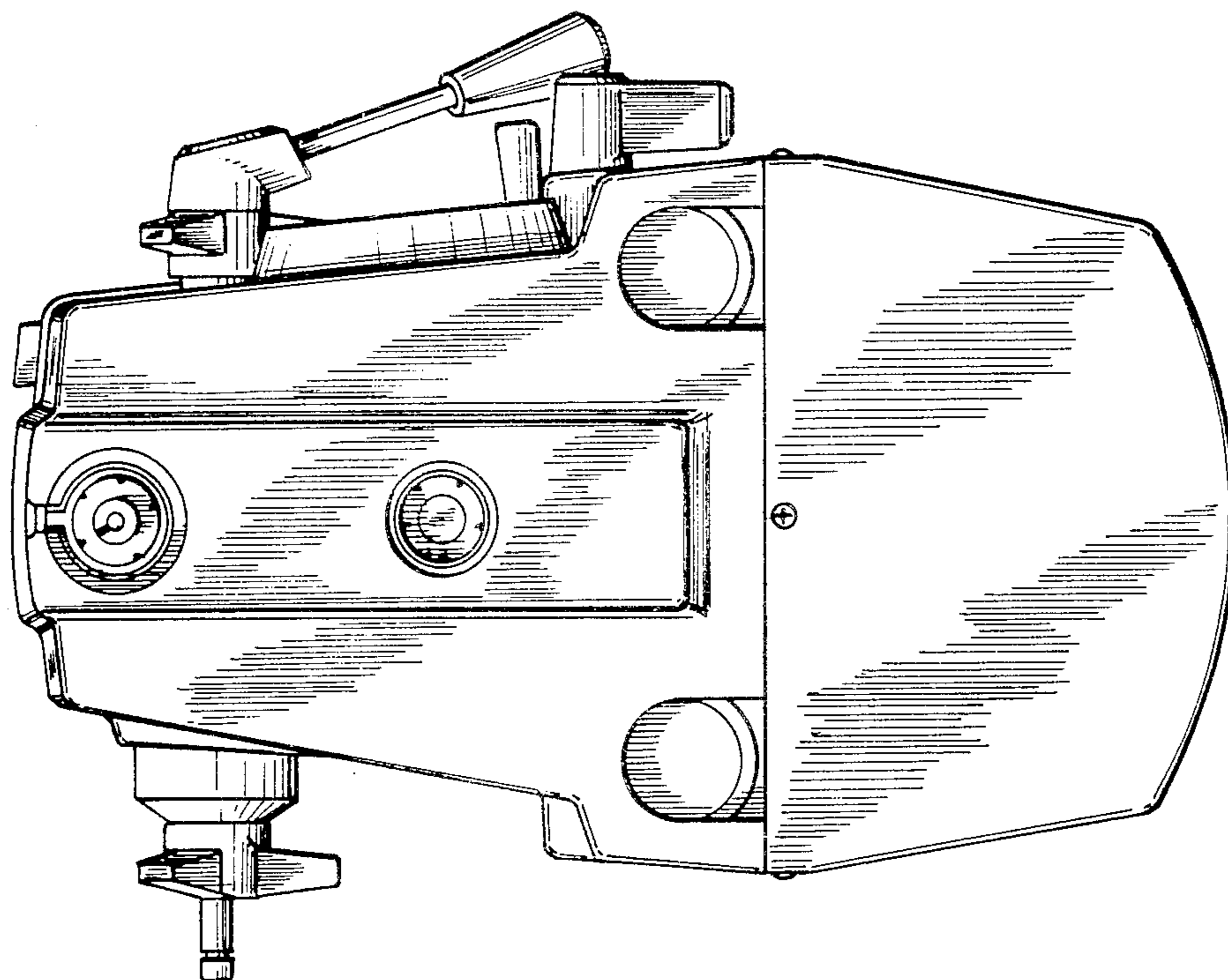


FIG-3

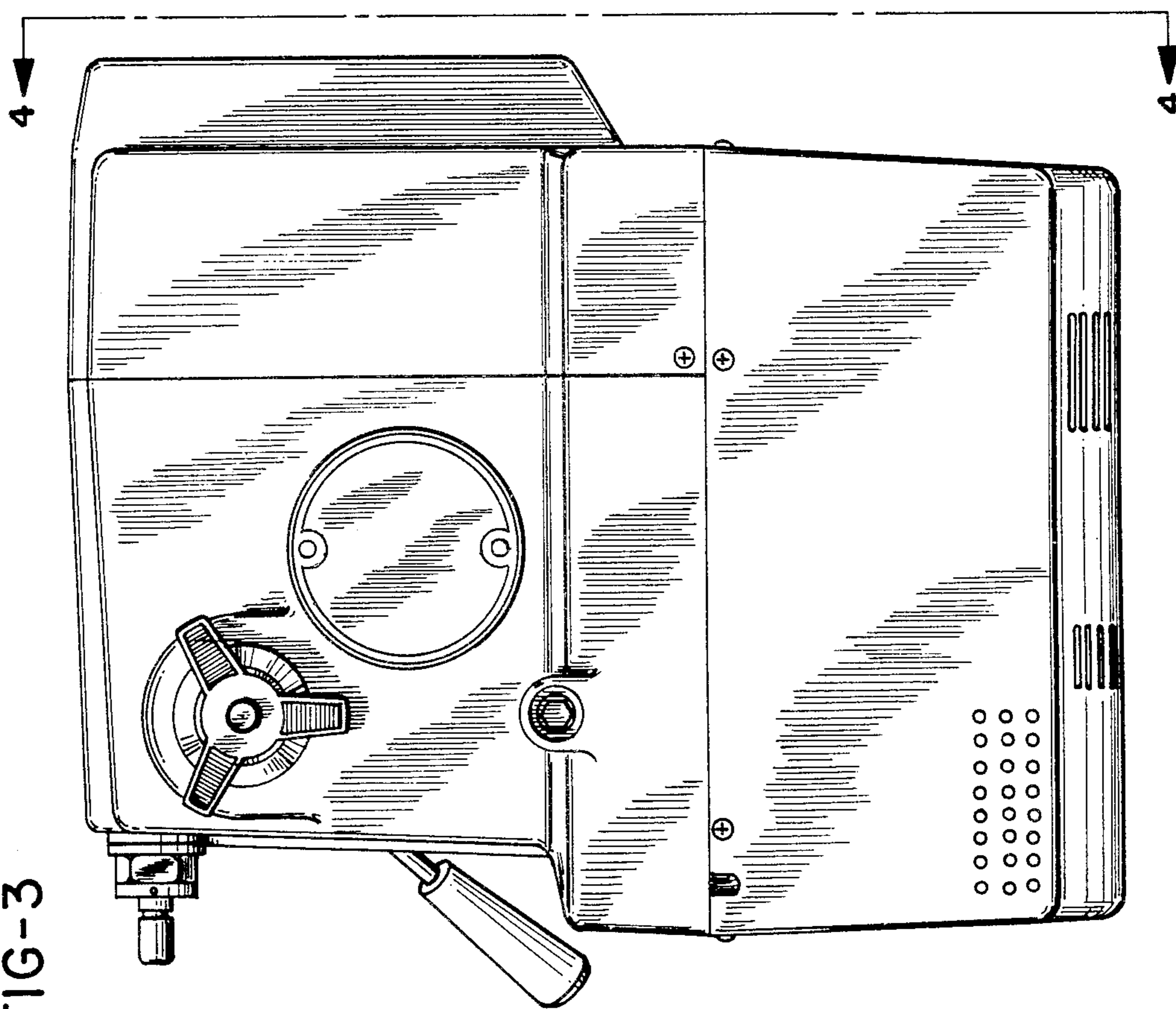


FIG-5

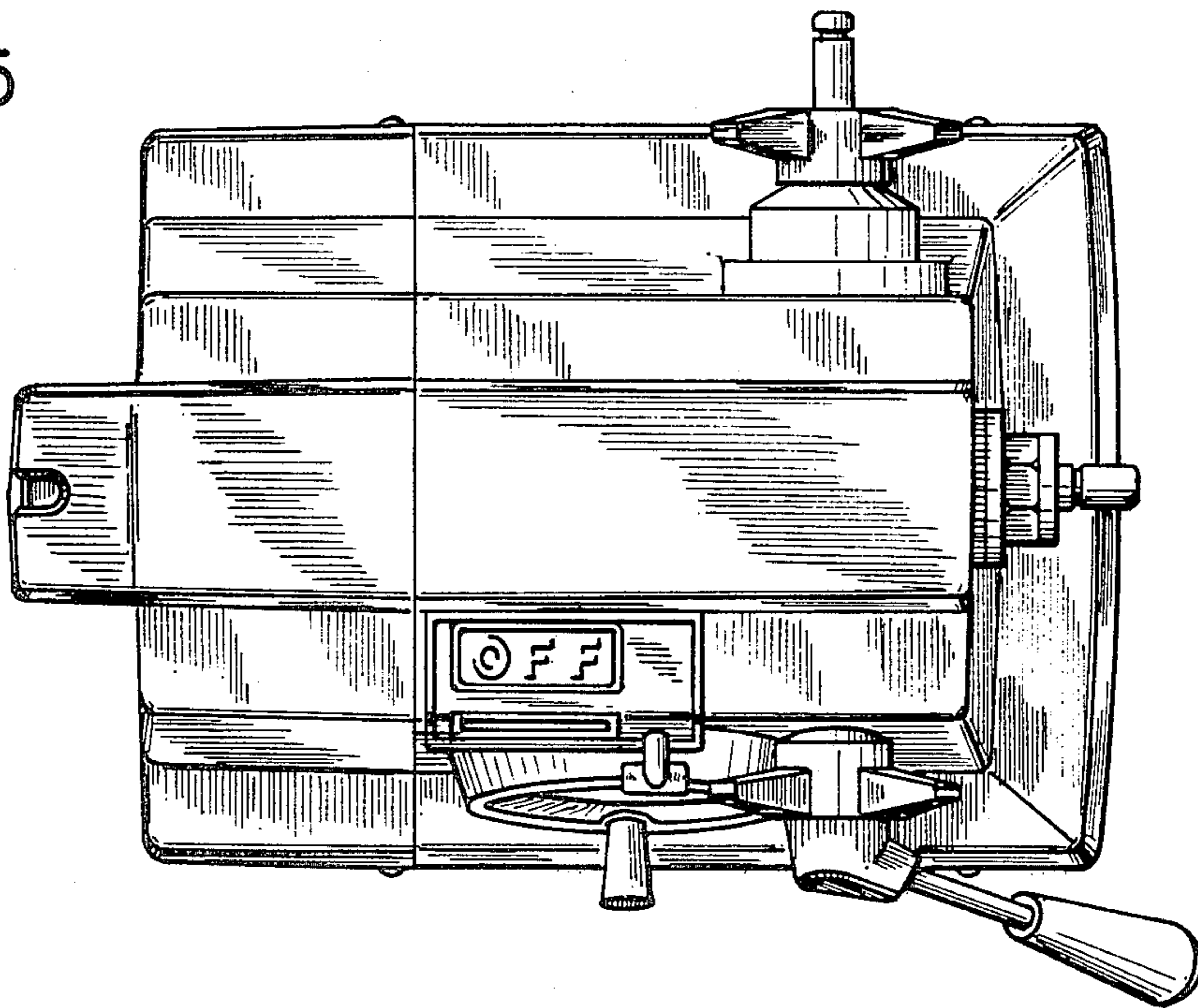


FIG-6

