

[54] HYDRAULIC PRESS

[75] Inventor: Miroslav Uroshevich, Cincinnati, Ohio

[73] Assignee: Cincinnati Incorporated, Harrison, Ohio

[*] Notice: The portion of the term of this patent subsequent to Sep. 3, 2002 has been disclaimed.

[**] Term: 14 Years

[21] Appl. No.: 491,917

[22] Filed: May 5, 1983

[52] U.S. Cl. D15/123

[58] Field of Search D15/123; 100/231, 269 R

[56] References Cited

U.S. PATENT DOCUMENTS

D. 179,814	3/1957	Munschauer	D15/123
D. 255,575	6/1980	Pearson	D15/123
2,512,246	6/1950	Fishburne	100/231
2,769,389	11/1956	Wissman	100/231
4,018,150	4/1977	Shiokawa	100/269 R

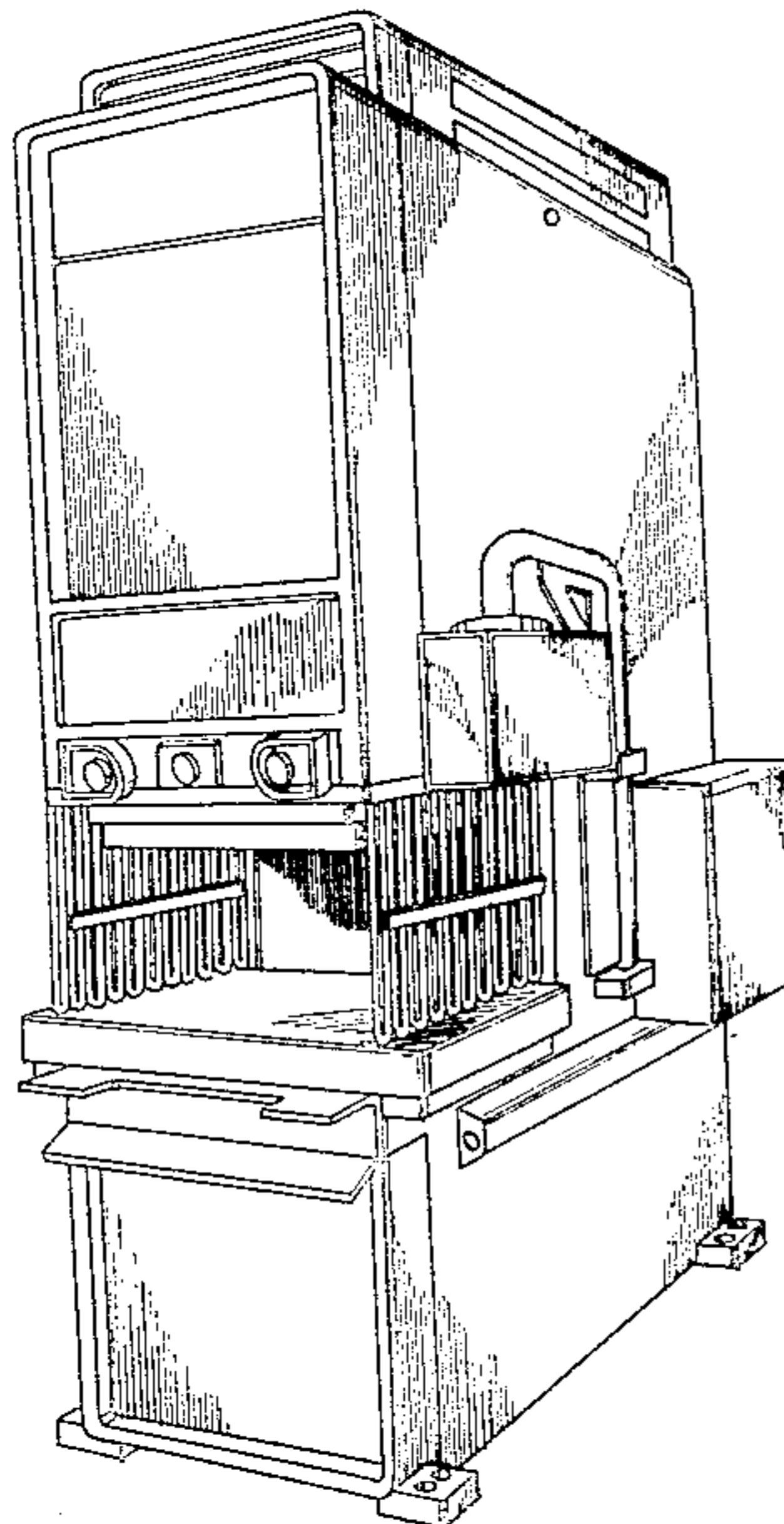
Primary Examiner—B. J. Bullock
Attorney, Agent, or Firm—Frost & Jacobs

[57] CLAIM

The ornamental design for a hydraulic press, as shown.

DESCRIPTION

FIG. 1 is a perspective view of the hydraulic press showing my new design;
FIG. 2 is a front elevational view;
FIG. 3 is a left side elevational view;
FIG. 4 is a right side elevational view;
FIG. 5 is a rear elevational view thereof; and
FIG. 6 is a top plan view thereof.



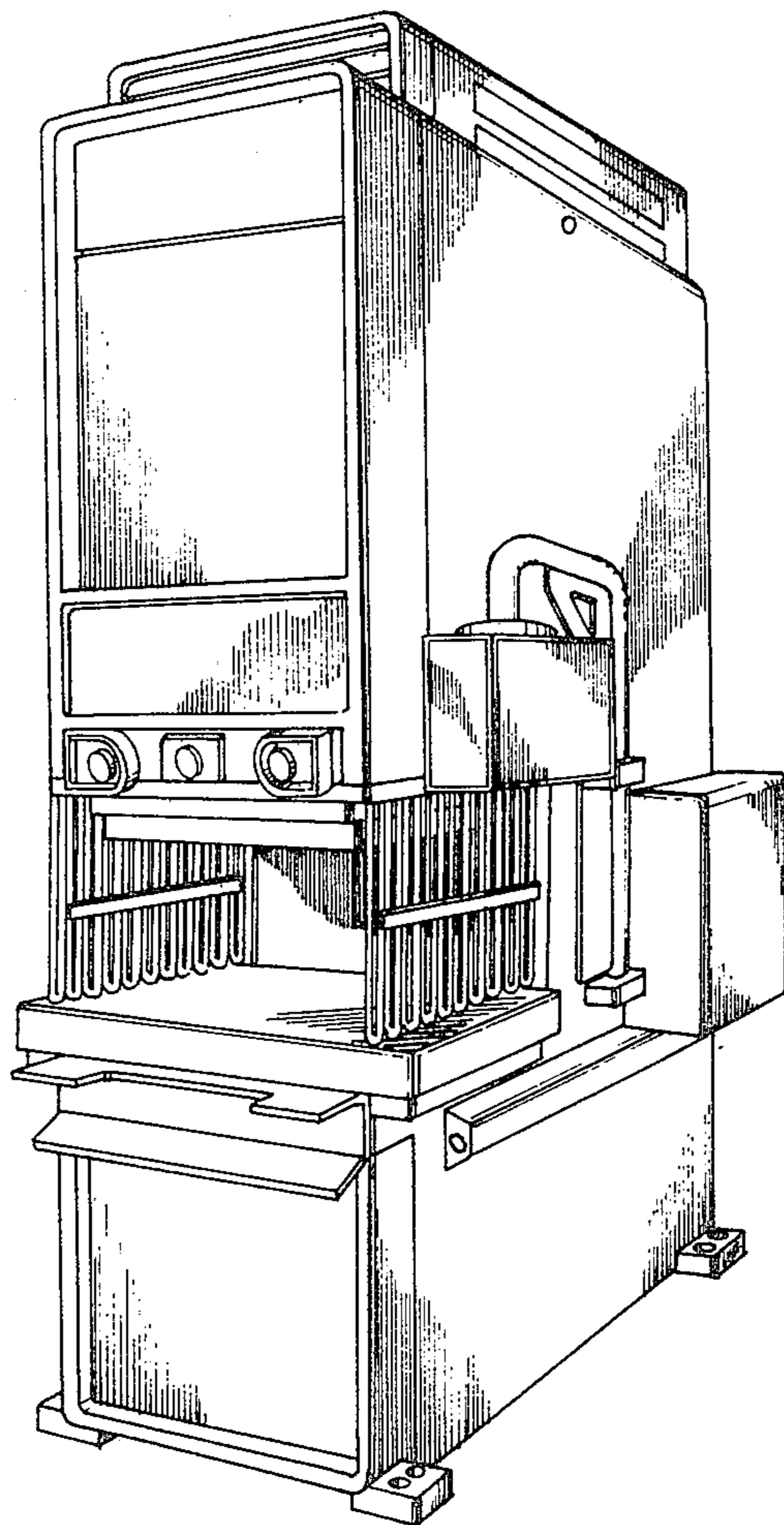


FIG. 1

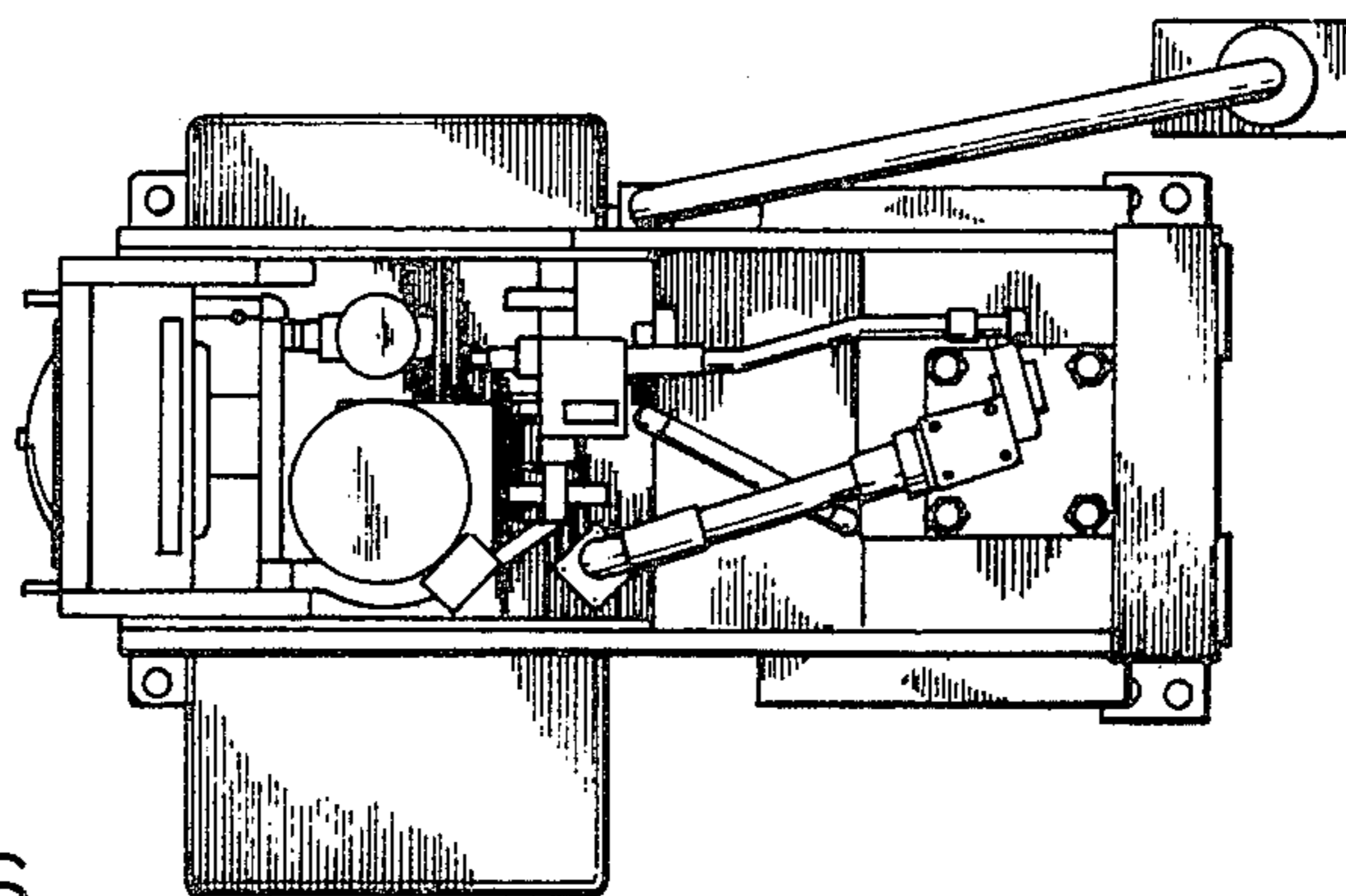


FIG. 6

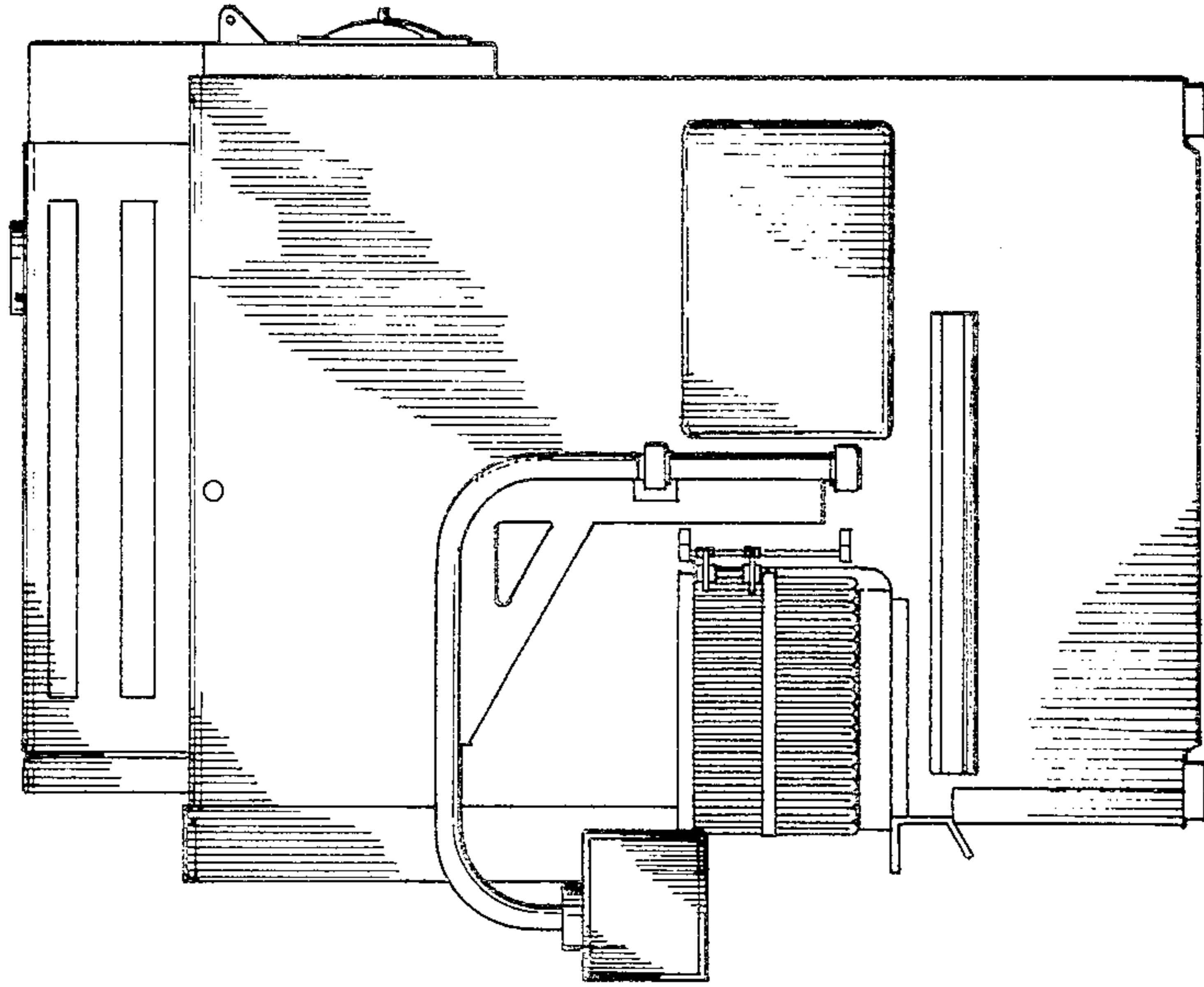


FIG. 4

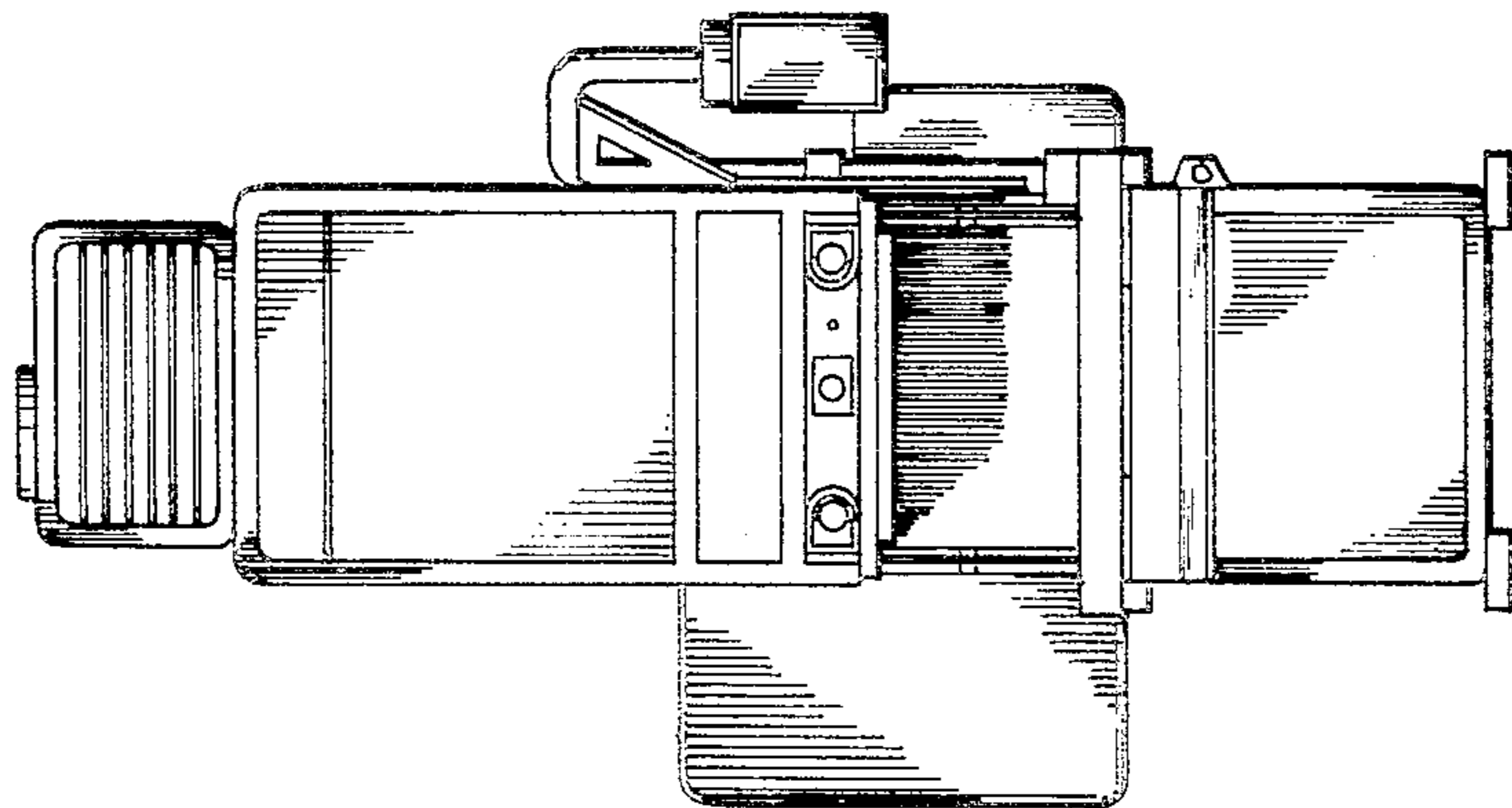


FIG. 2

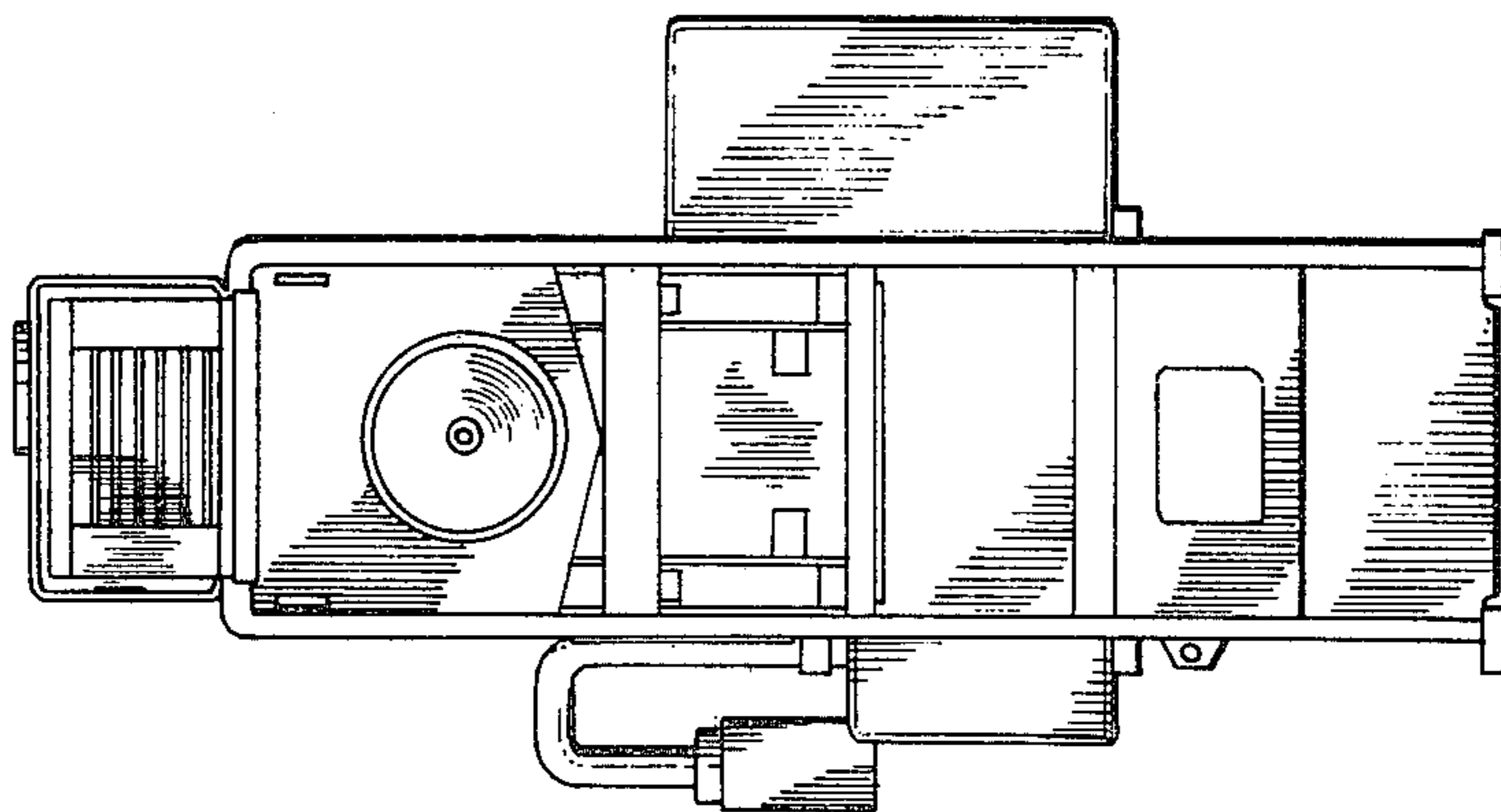


FIG. 5

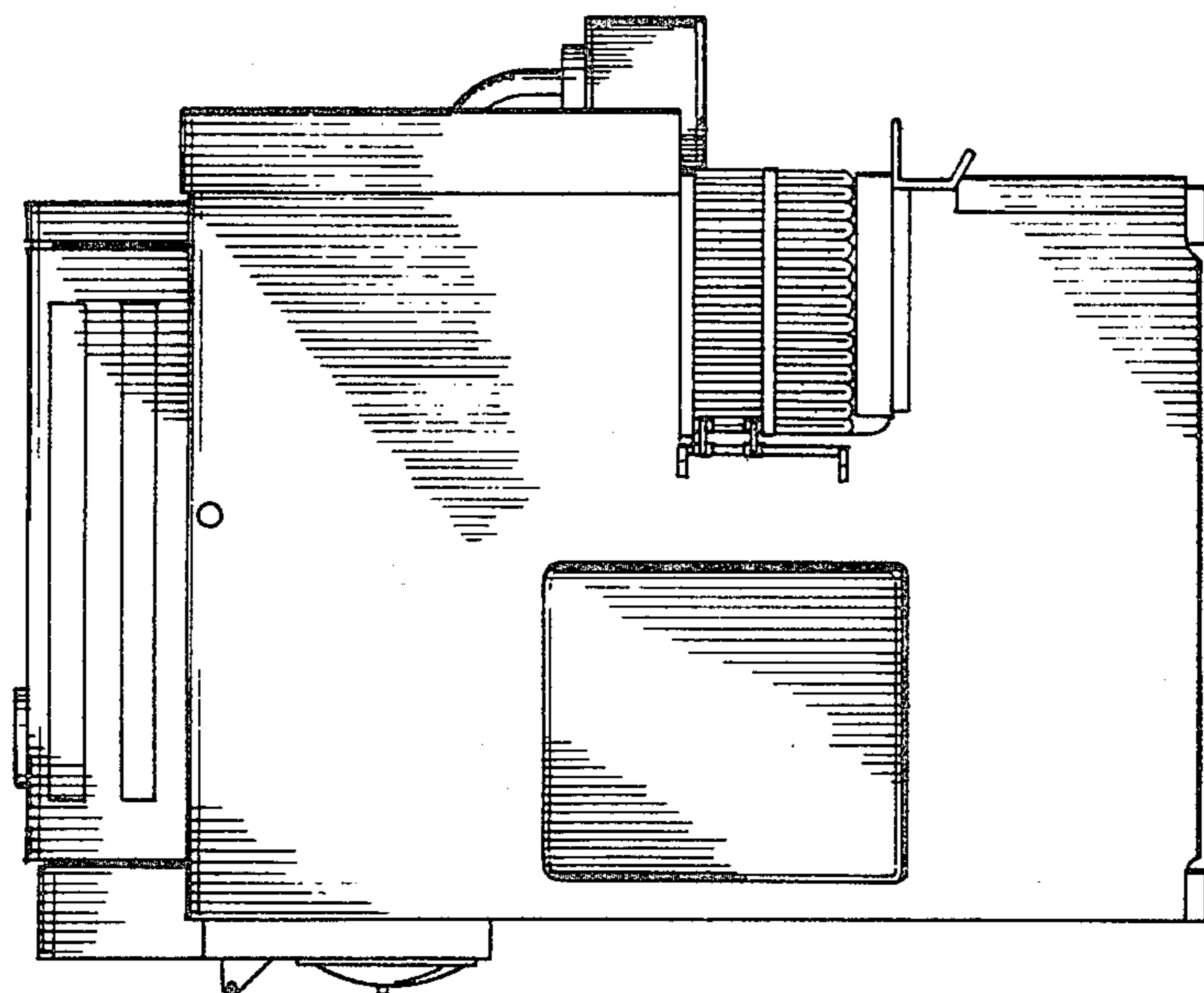


FIG. 3