

United States Patent [19]

Kuroki

[11] Patent Number: **Des. 281,429**

[45] Date of Patent: **** Nov. 19, 1985**

[54] SEWING MACHINE

[75] Inventor: **Nobufusa Kuroki**, Machida, Japan

[73] Assignee: **Janome Sewing Machine Co. Ltd.**,
Tokyo, Japan

[**] Term: **14 Years**

[21] Appl. No.: **464,734**

[22] Filed: **Feb. 7, 1983**

[30] Foreign Application Priority Data

Oct. 7, 1982 [JP] Japan 57-45475

[52] U.S. Cl. D15/69

[58] Field of Search D15/66, 69, 68, 70;
112/63, 258-261

[56] References Cited

U.S. PATENT DOCUMENTS

D. 220,066 3/1971 Eguchi et al. D15/69
D. 221,308 7/1971 Grange D15/69
D. 243,686 3/1977 Ito D15/68
D. 249,693 9/1978 Kasahara et al. D15/68
D. 270,913 10/1983 Kosugi D15/69

3,913,506 10/1975 Adams et al. D15/69 X
4,099,474 7/1978 Hamlett et al. 112/258
4,184,441 1/1980 Brown et al. D15/69 X
4,314,517 2/1982 Kasahara et al. 112/260

OTHER PUBLICATIONS

Bernina Catalog, p. 6, Bernina 830 Sewing Machine.

Primary Examiner—Bernard Ansher

Assistant Examiner—Linda Titolo

Attorney, Agent, or Firm—Michael J. Striker

[57] CLAIM

The ornamental design for a sewing machine, substantially as shown and described.

DESCRIPTION

FIG. 1 is a front elevational view of a sewing machine showing my new design;

FIG. 2 is a rear elevational view thereof;

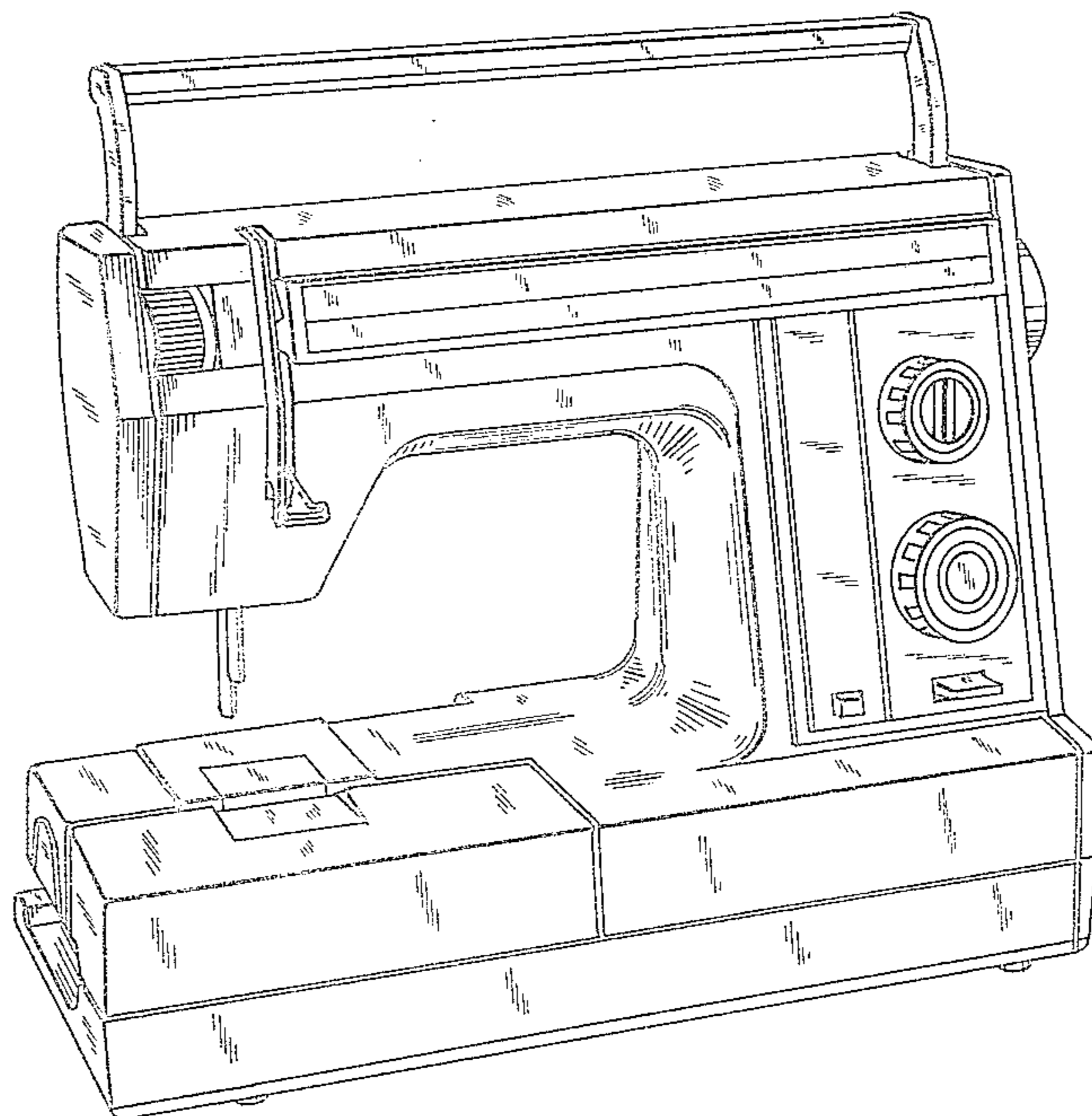
FIG. 3 is a top plan view thereof;

FIG. 4 is a bottom plan view thereof;

FIG. 5 is a left side elevational view thereof;

FIG. 6 is a right side elevational view thereof; and

FIG. 7 is a top front perspective view thereof.



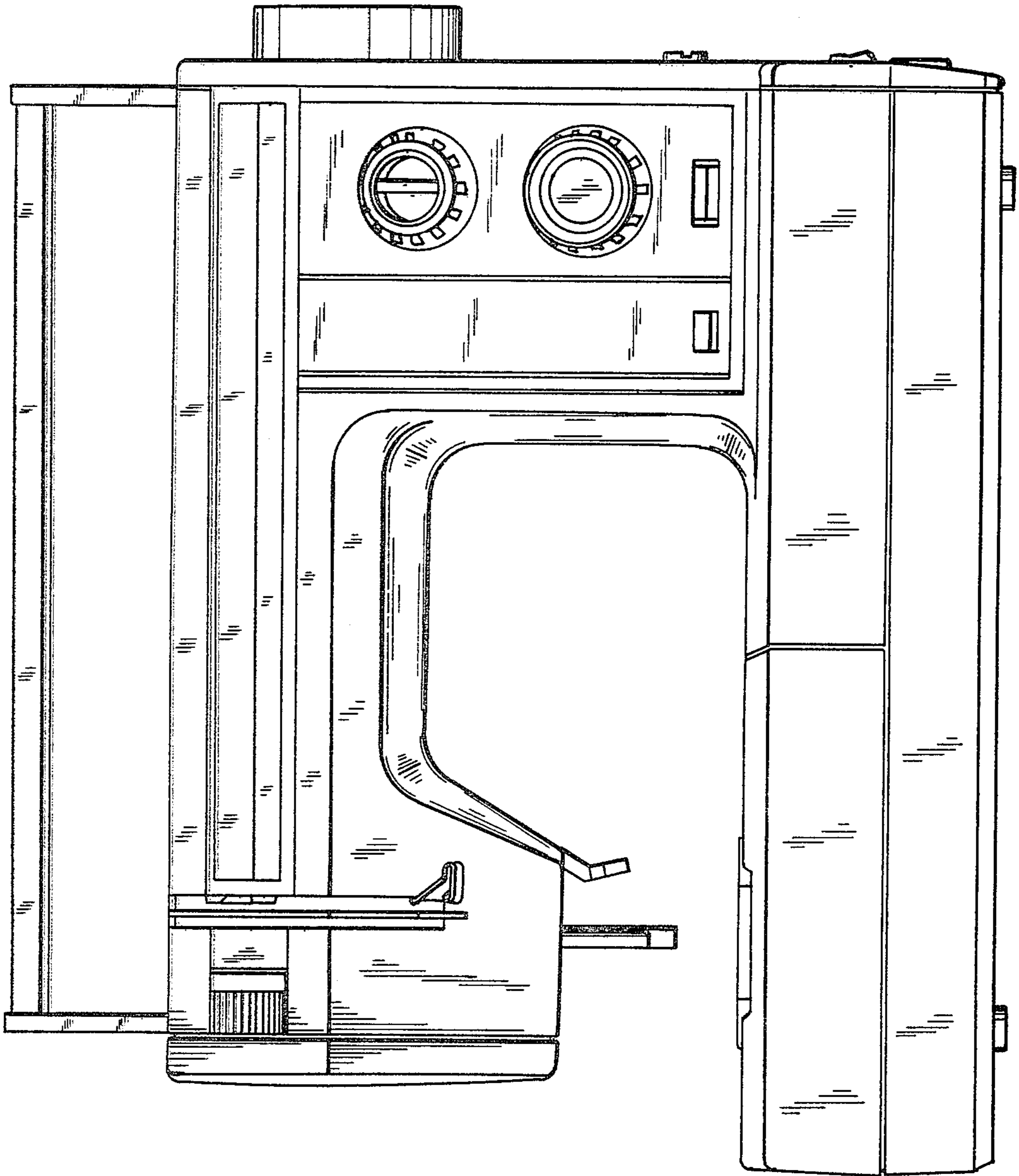


FIG. 1

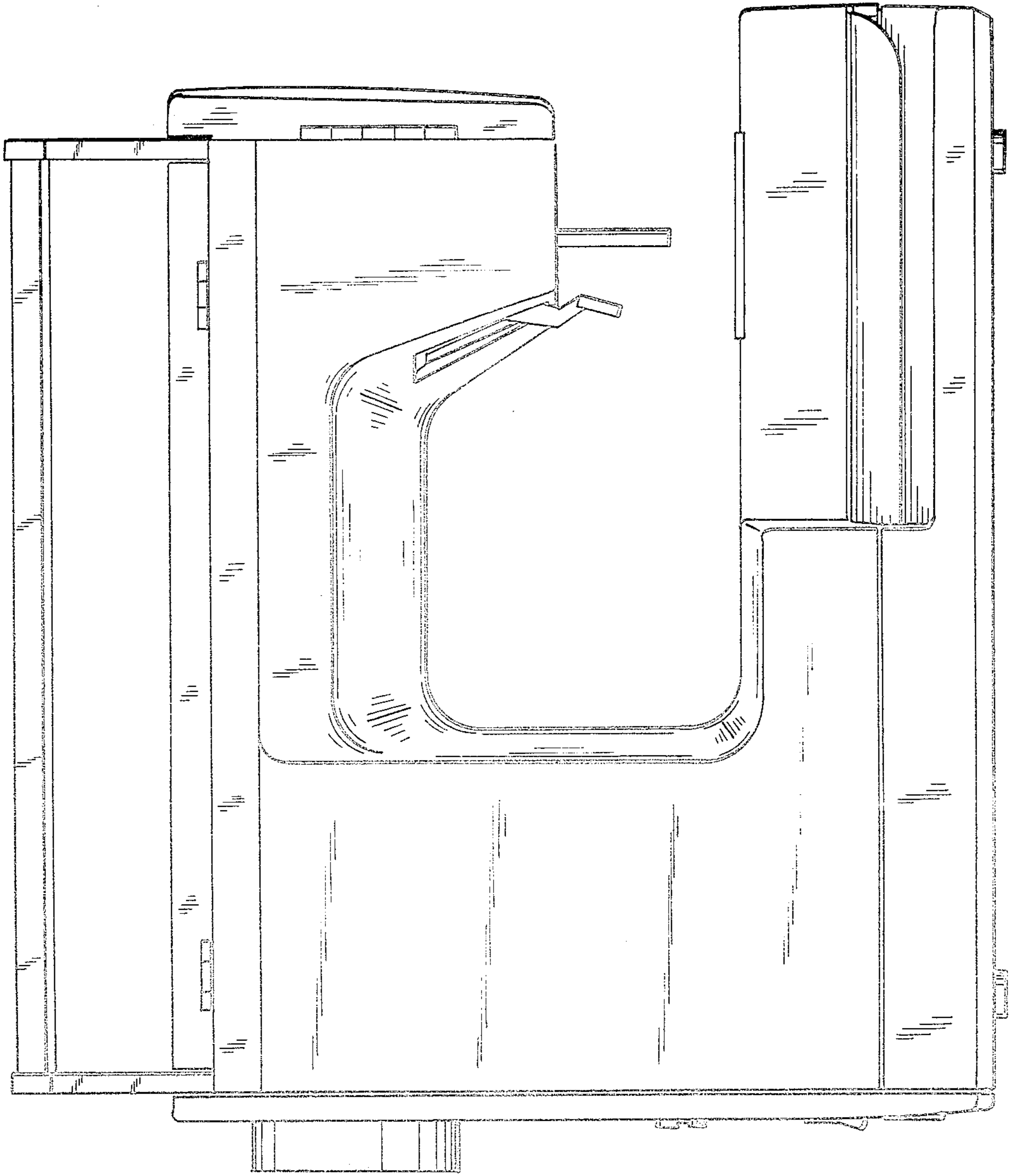


FIG. 2

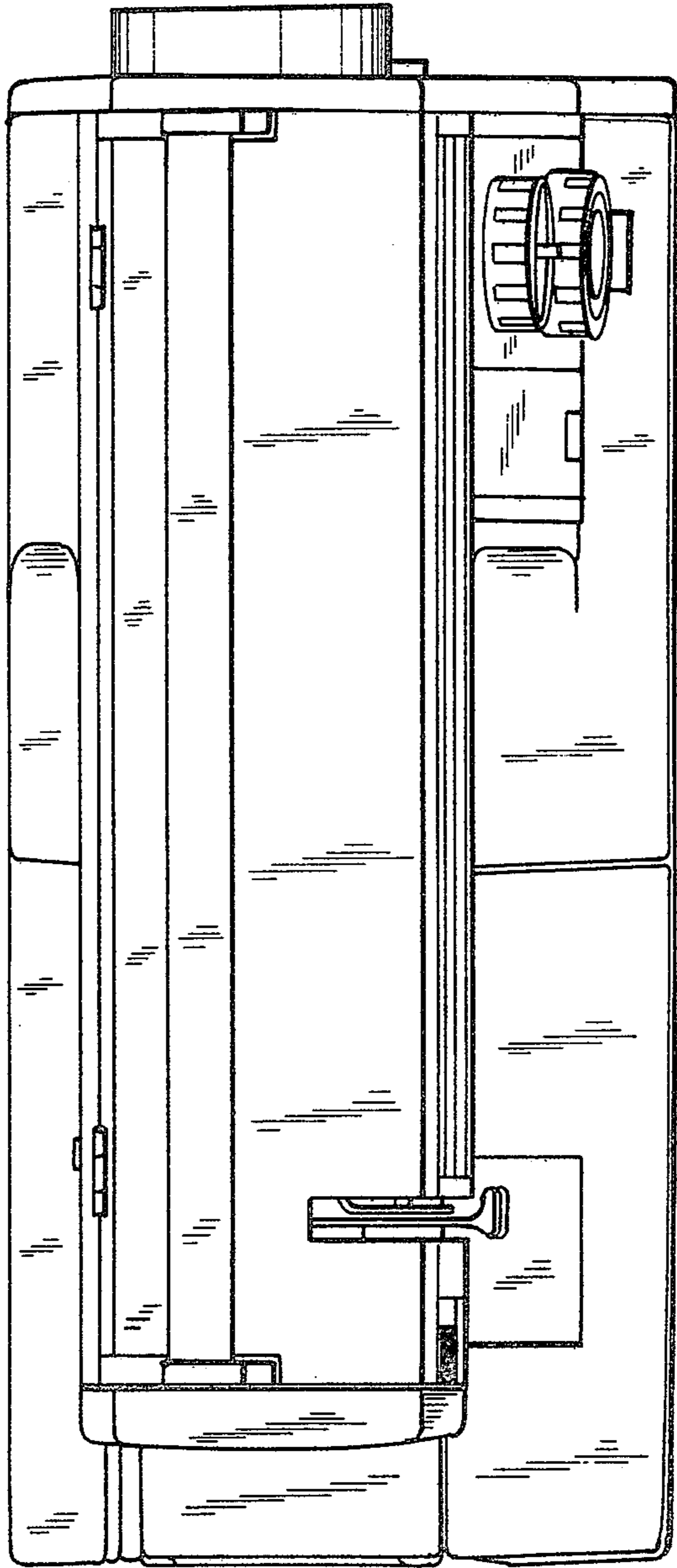


FIG. 3

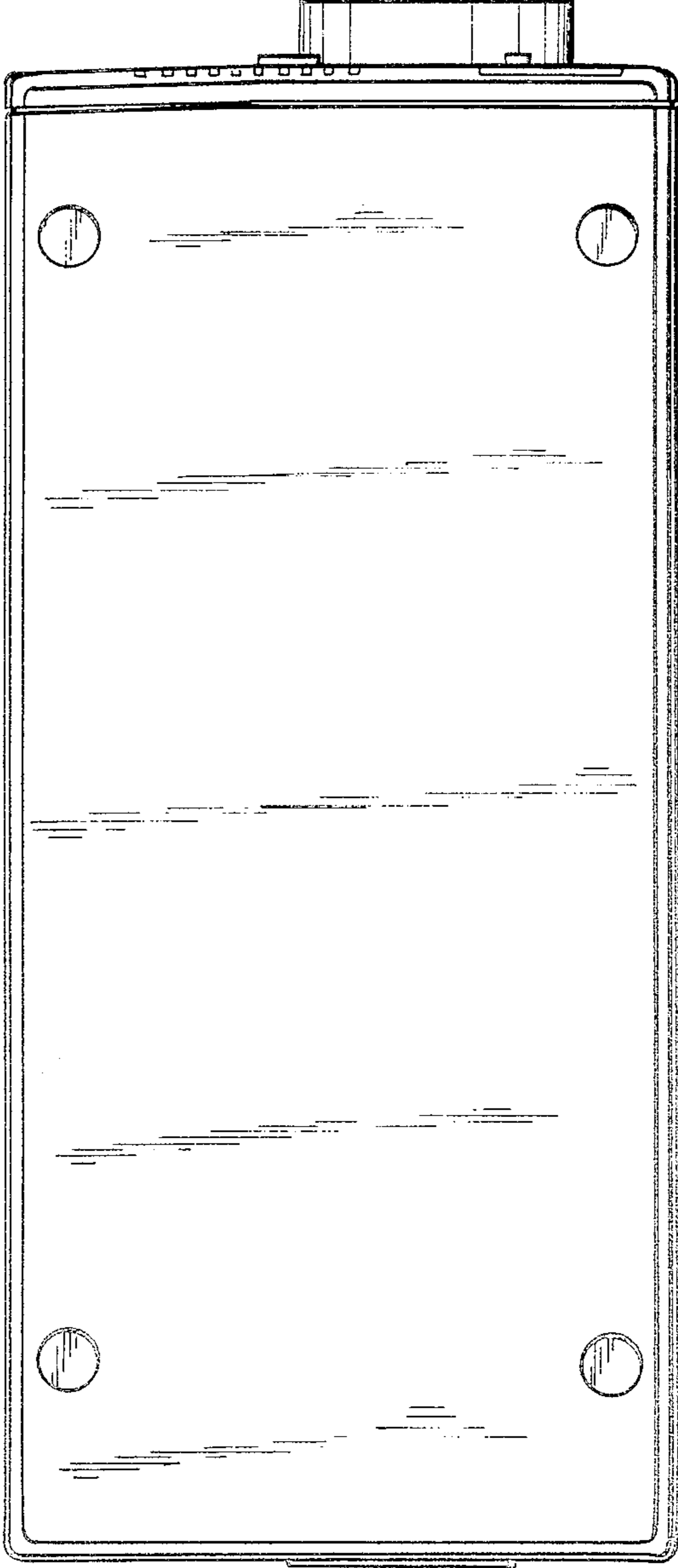


FIG. 4

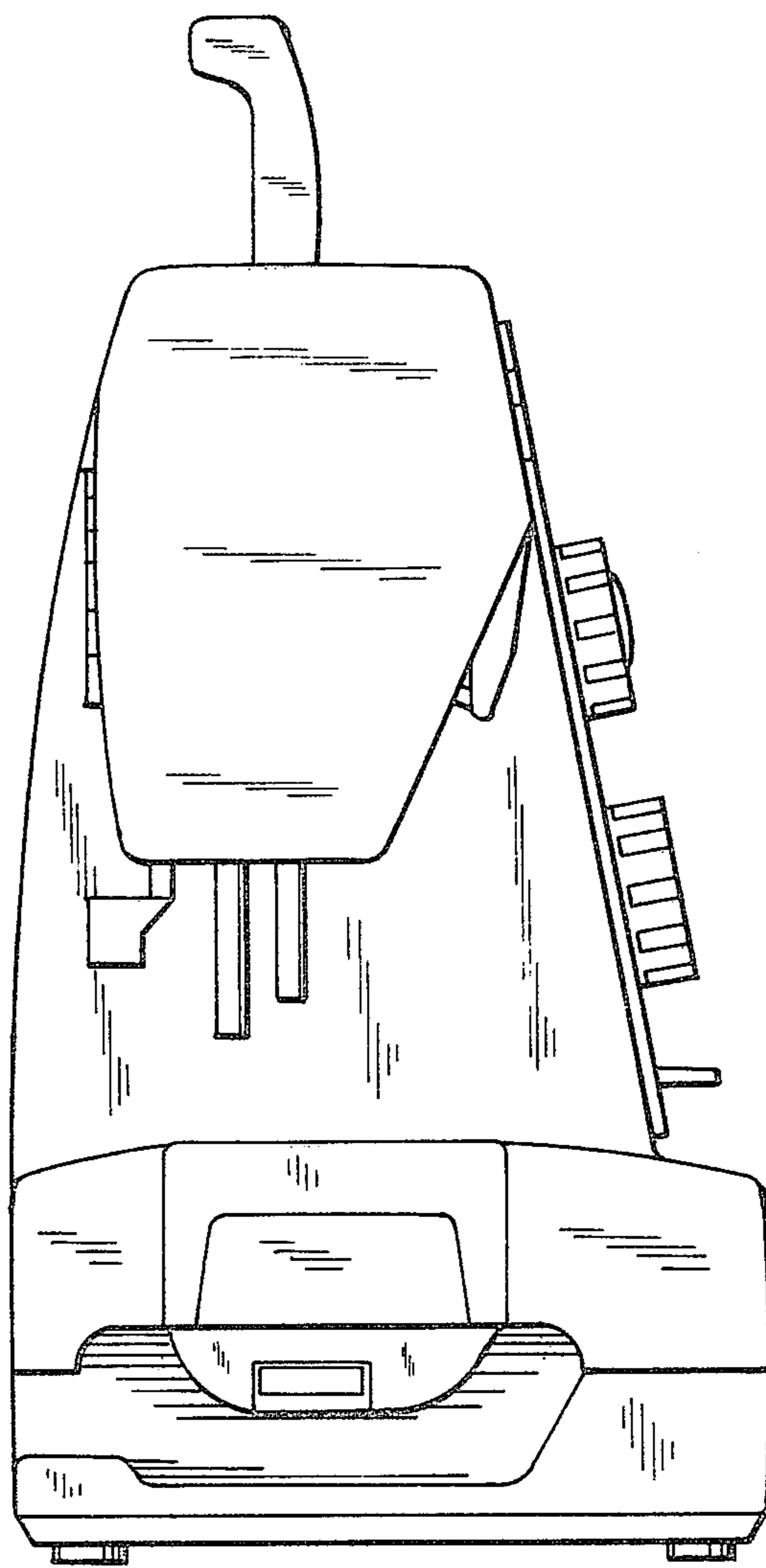


FIG. 5

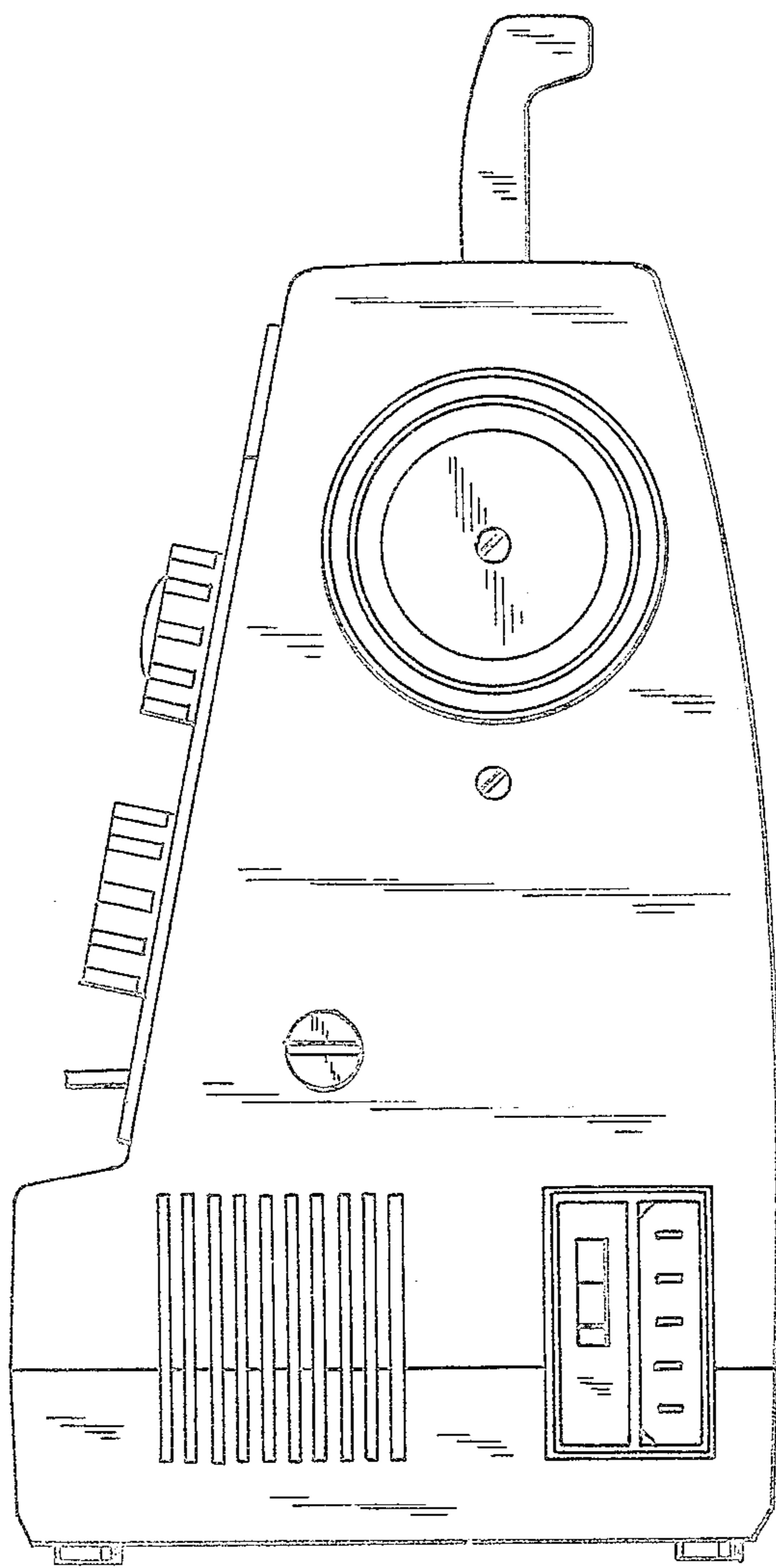


FIG. 6

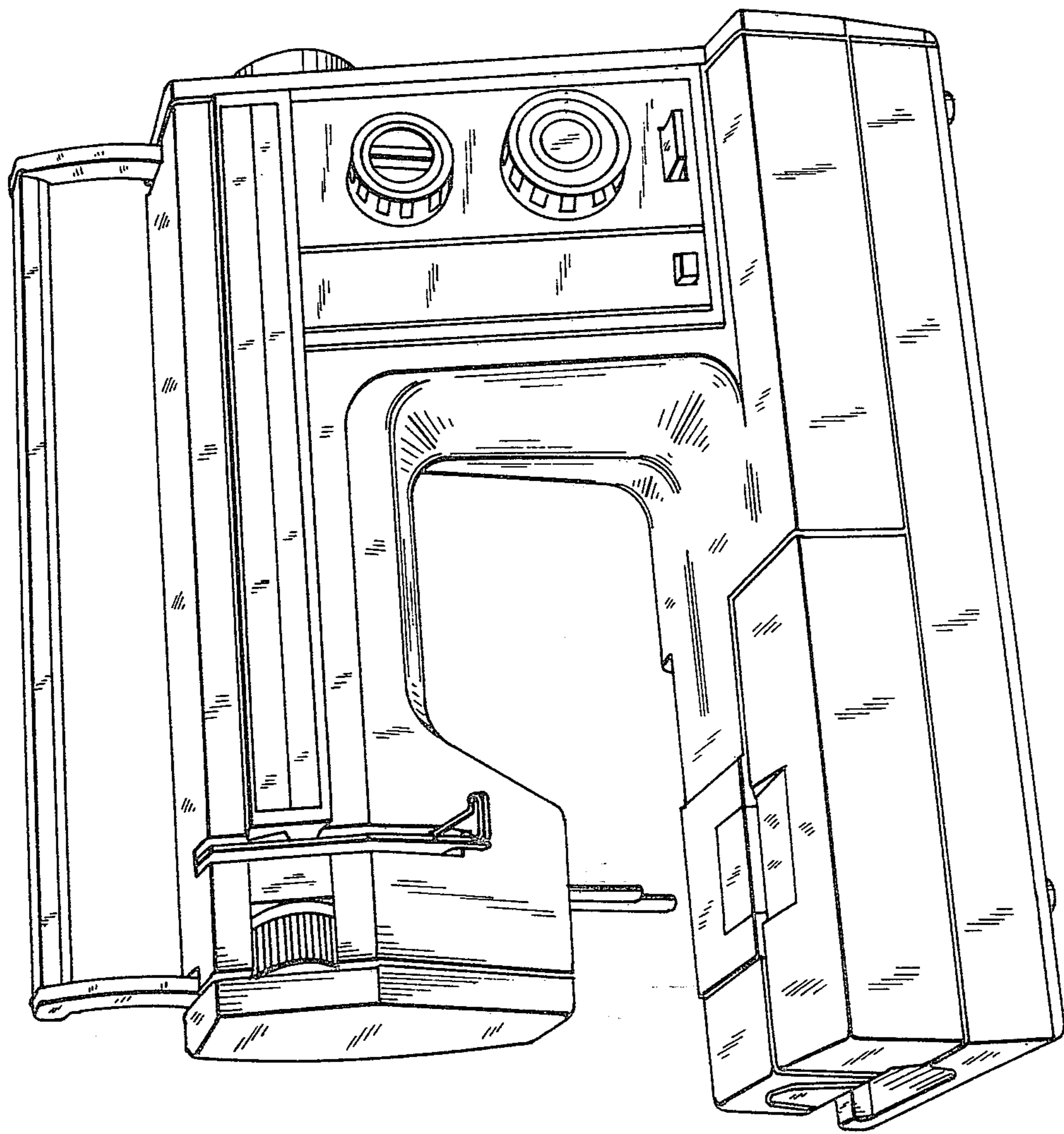


FIG. 7