

[54] **MINE CARRIER VEHICLE**

[75] Inventor: **Godfrey S. Kent**, Woodstock, Canada

[73] Assignee: **Timberjack Inc.**, Woodstock, Canada

[**] Term: **14 Years**

[21] Appl. No.: **376,870**

[22] Filed: **May 10, 1982**

[52] U.S. Cl. **D15/21**

[58] Field of Search **D15/21, 22, 25; D12/1; 180/317, 89.1**

[56] **References Cited**

U.S. PATENT DOCUMENTS

- D. 262,973 2/1982 Griffin et al. D15/21
- 3,336,997 8/1967 Yates et al. 280/12 R

Primary Examiner—James M. Gandy
Attorney, Agent, or Firm—C. H. Grace; C. J. Toddy

[57] **CLAIM**

The ornamental design for a mine carrier vehicle, as shown.

DESCRIPTION

FIG. 1 is a perspective view of a mine carrier vehicle showing my new design:

FIG. 2 is a top plan view thereof:

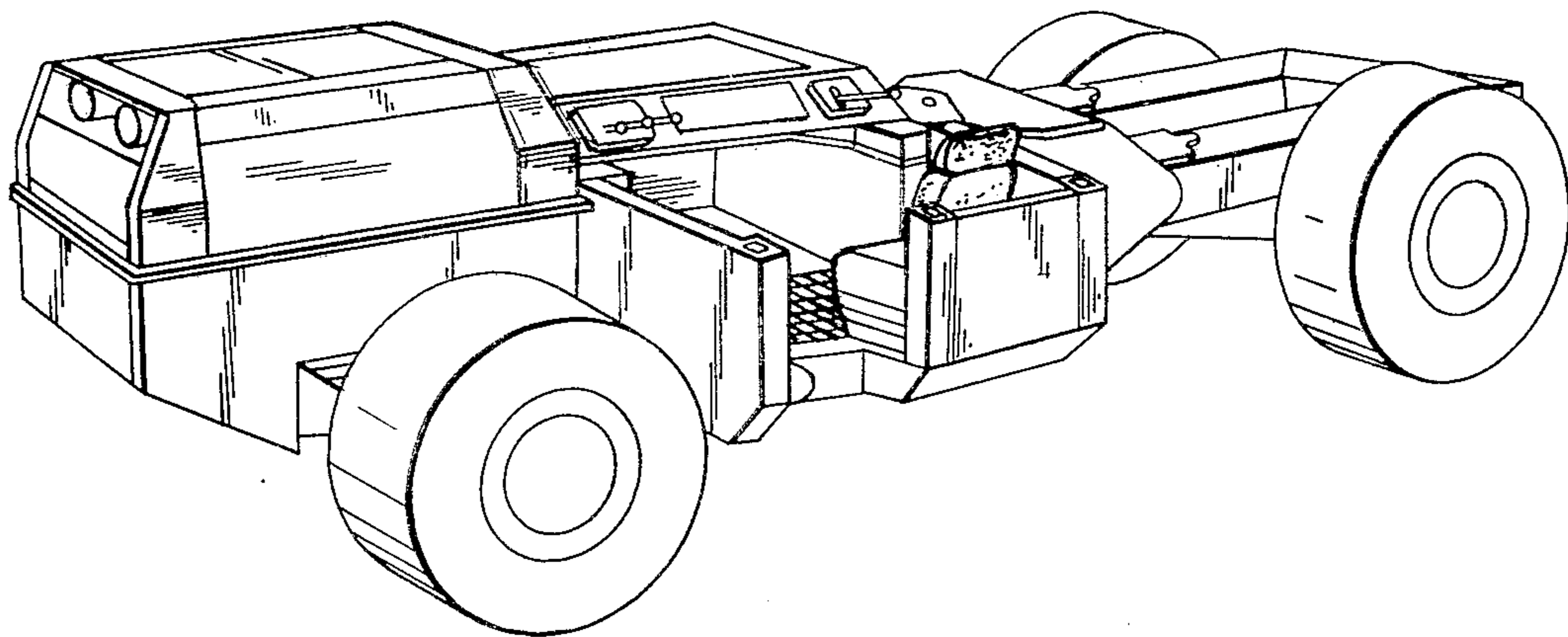
FIG. 3 is a bottom plan view thereof:

FIG. 4 is a side elevational view thereof:

FIG. 5 is a front elevational view thereof:

FIG. 6 is a rear elevational view thereof; and

FIG. 7 is a side elevational view thereof, opposite to that shown in FIG. 4.



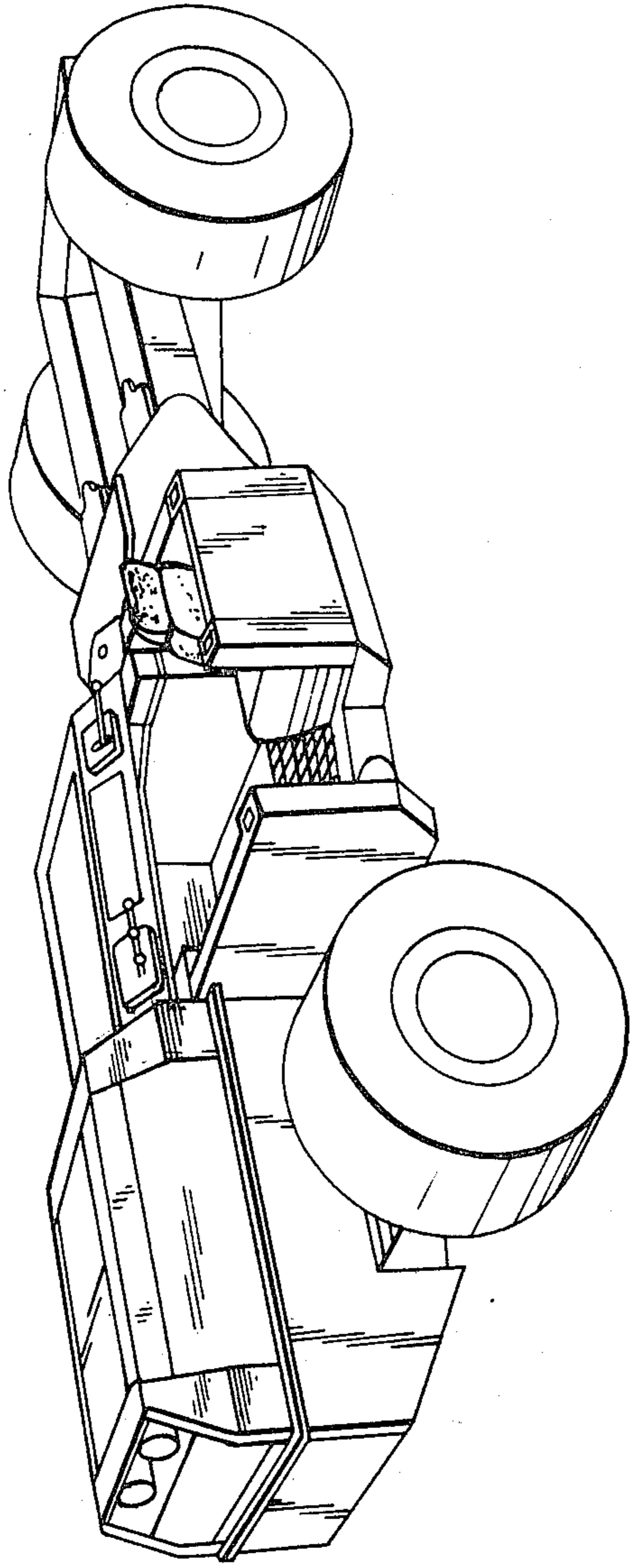


Fig. 1

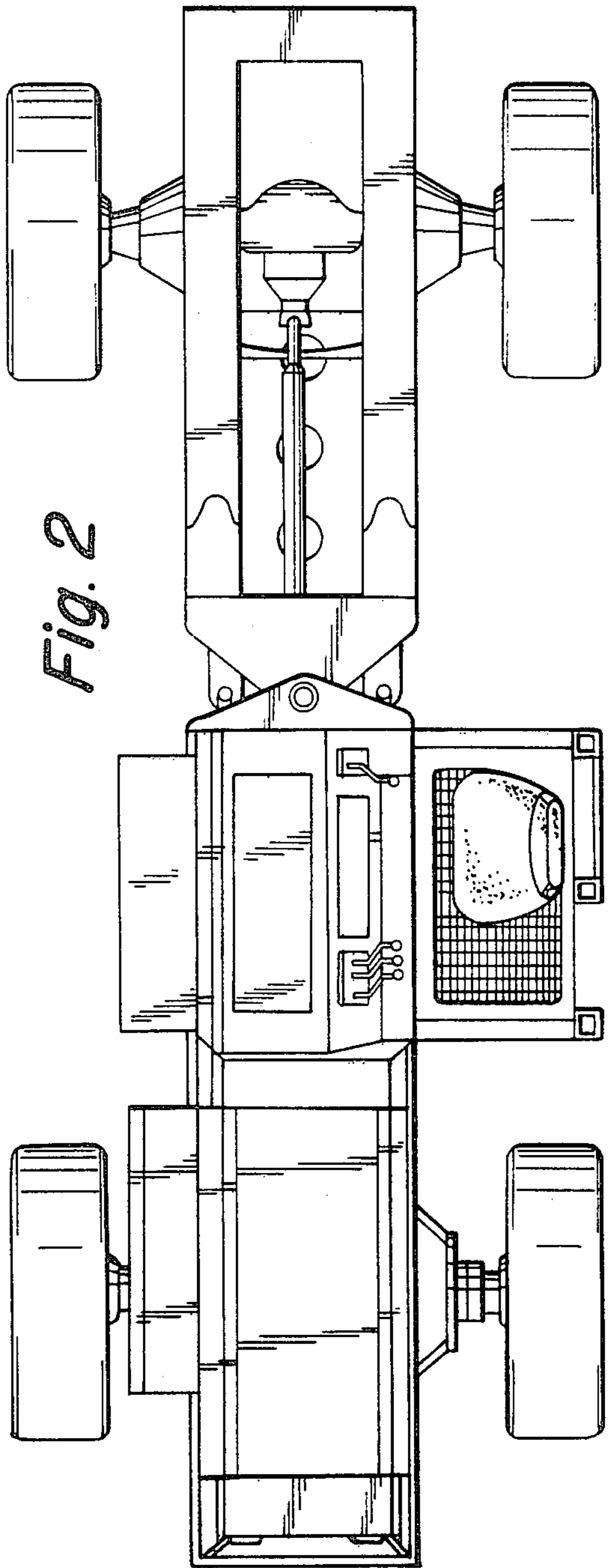


Fig. 2

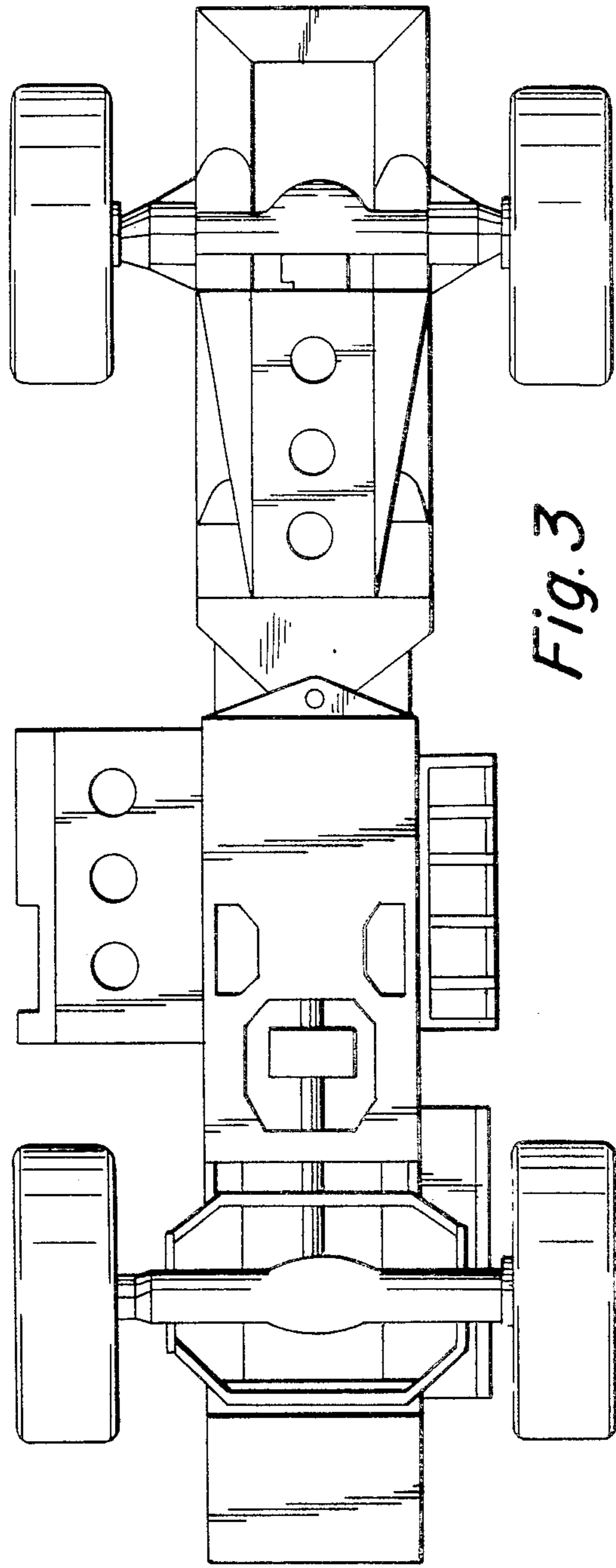


Fig. 3

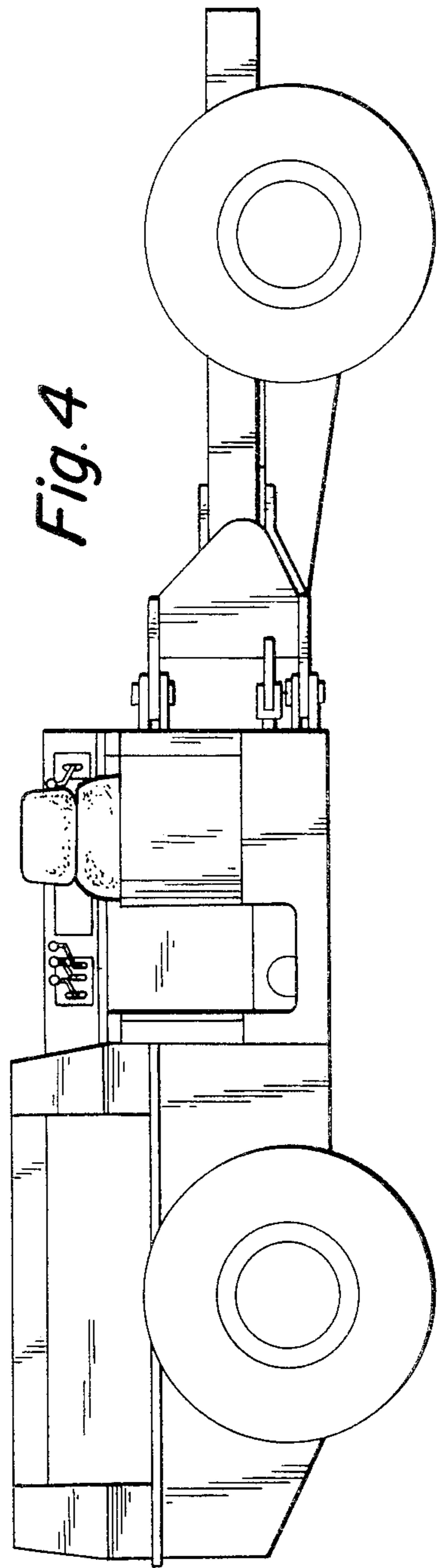


Fig. 4

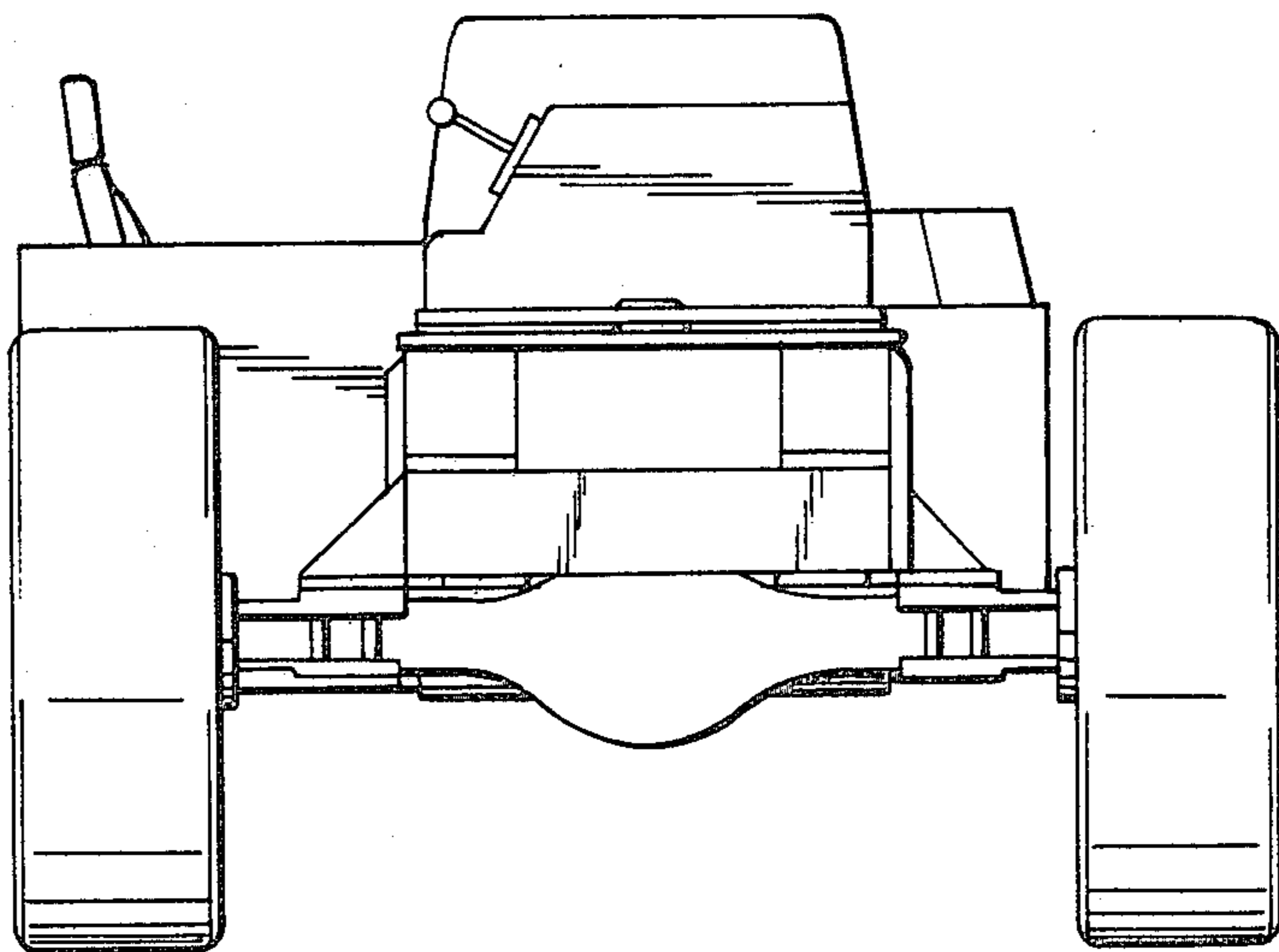
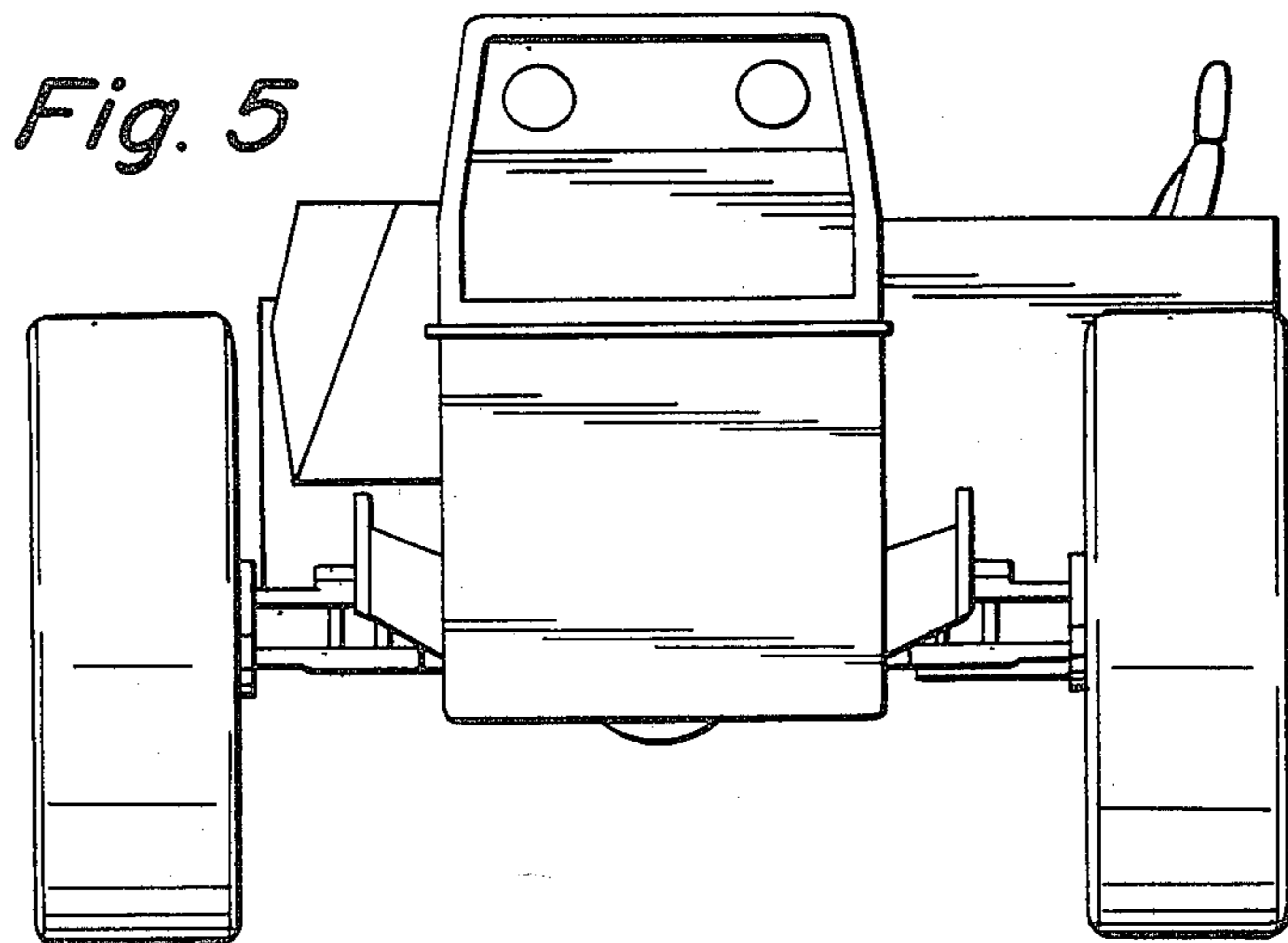


Fig. 6

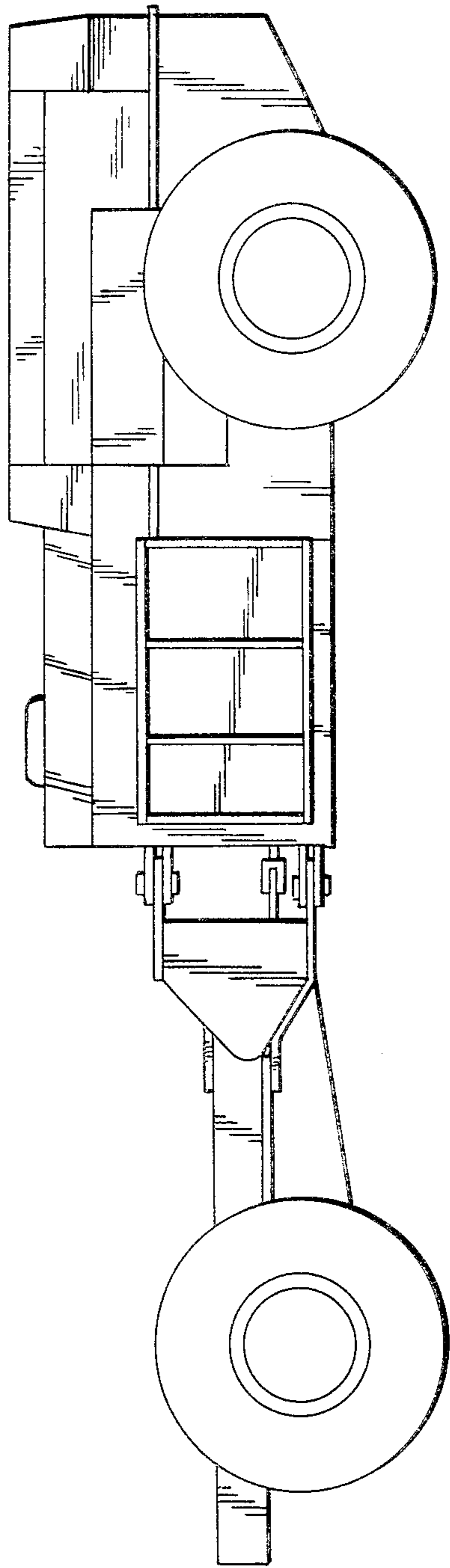


Fig. 7