

[54] DUAL PURPOSE MICROPHONE SUPPORTER

[76] Inventor: Maurice I. Rosenthal, 8900 Alto Cedro, Beverly Hills, Calif. 90210

[**] Term: 14 Years

[21] Appl. No.: 517,908

[22] Filed: Jul. 28, 1983

[52] U.S. Cl. D14/13

[58] Field of Search D14/13, 12; D8/373; 179/152, 153, 157; 84/379

[56] References Cited

U.S. PATENT DOCUMENTS

D. 159,223	7/1950	Olson	179/152
D. 226,752	4/1973	Iso	D8/373
D. 251,908	5/1979	Fujita	D14/13
385,473	7/1888	Mulhollan	84/379
862,497	8/1907	Mogridge	179/153

1,172,937 2/1916 Butcher D8/373

Primary Examiner—Jane E. Corrigan
Attorney, Agent, or Firm—L. Kenneth Rosenthal

[57] CLAIM

The ornamental design for a dual purpose microphone supporter, as shown and described.

DESCRIPTION

FIG. 1 is a perspective view of a dual purpose microphone supporter showing my new design, with the environmental microphone and user shown in broken lines;

FIG. 2 is a perspective view of the supporter shown as resting on a horizontal surface with an environmental microphone in broken lines;

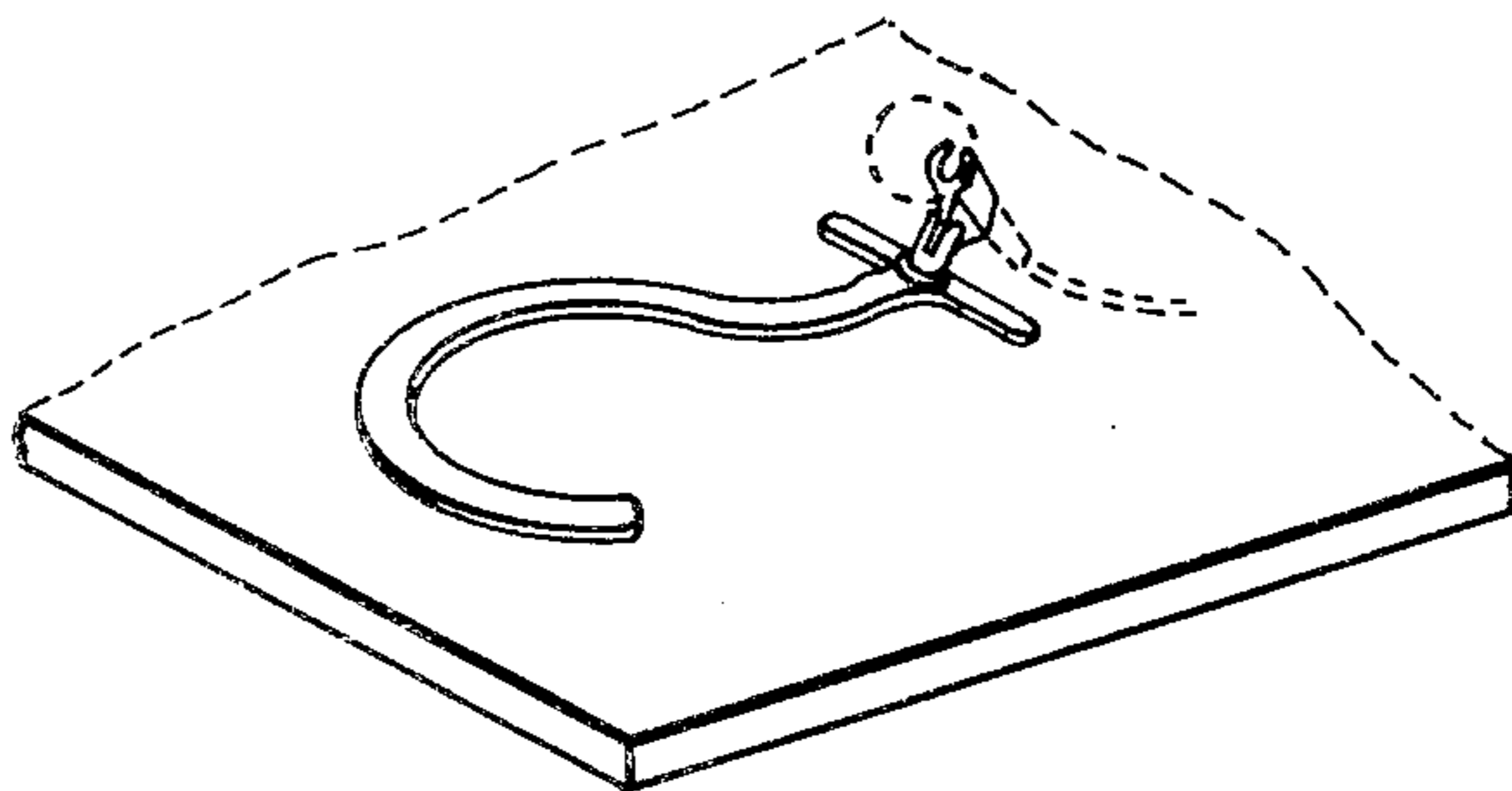
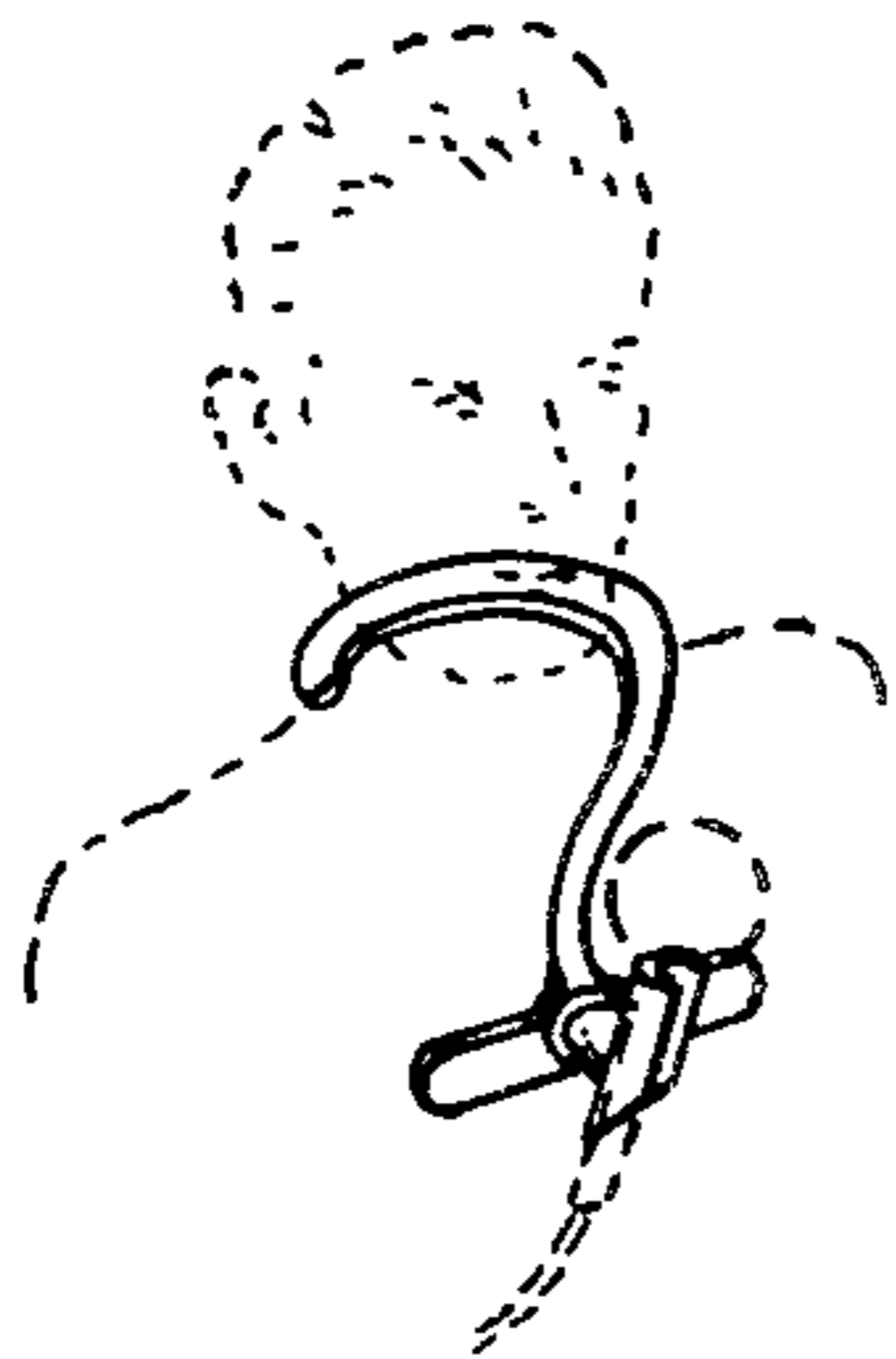
FIG. 3 is a left side elevational view thereof;

FIG. 4 is a front elevational view thereof;

FIG. 5 is right side elevational view thereof;

FIG. 6 is a bottom plane view; and

FIG. 7 is a top plane view.



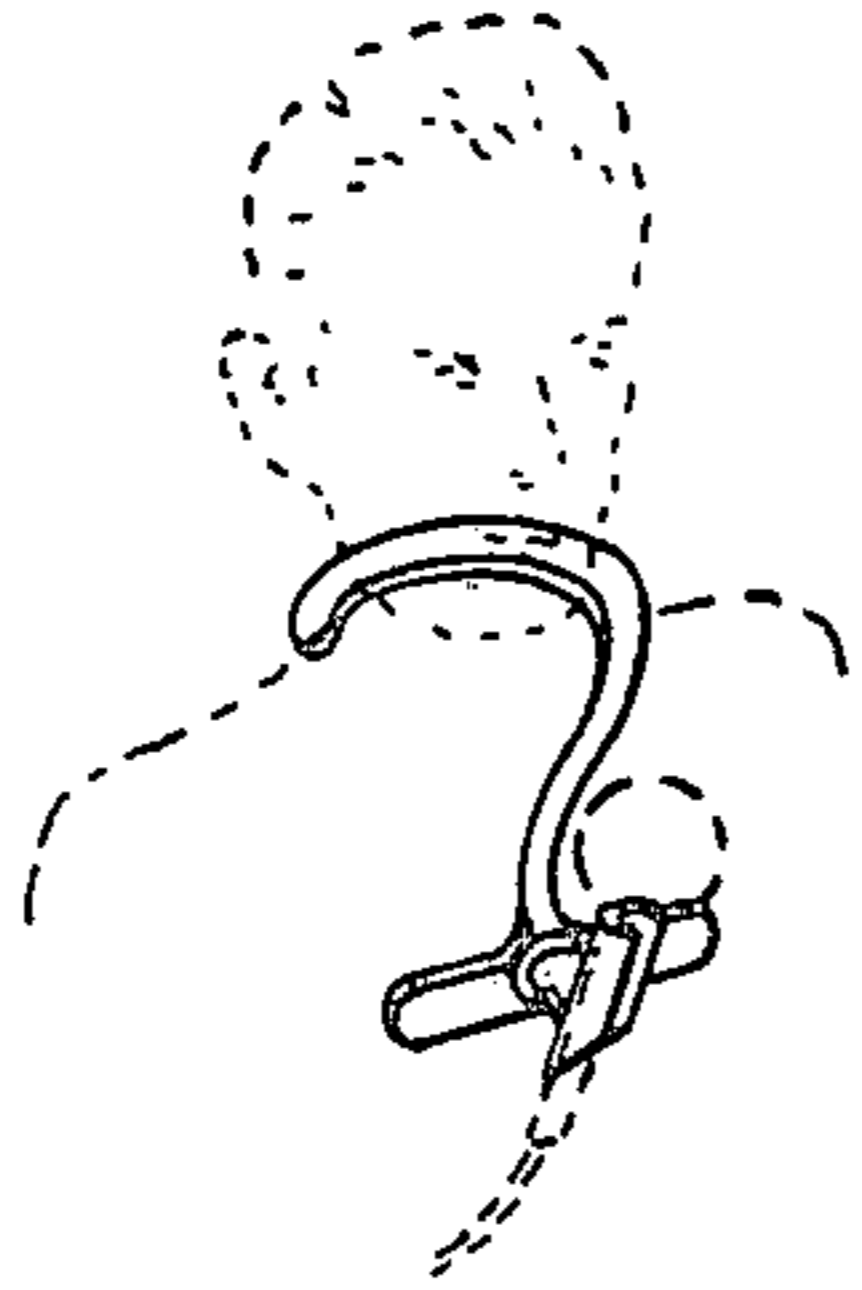


FIG. 1

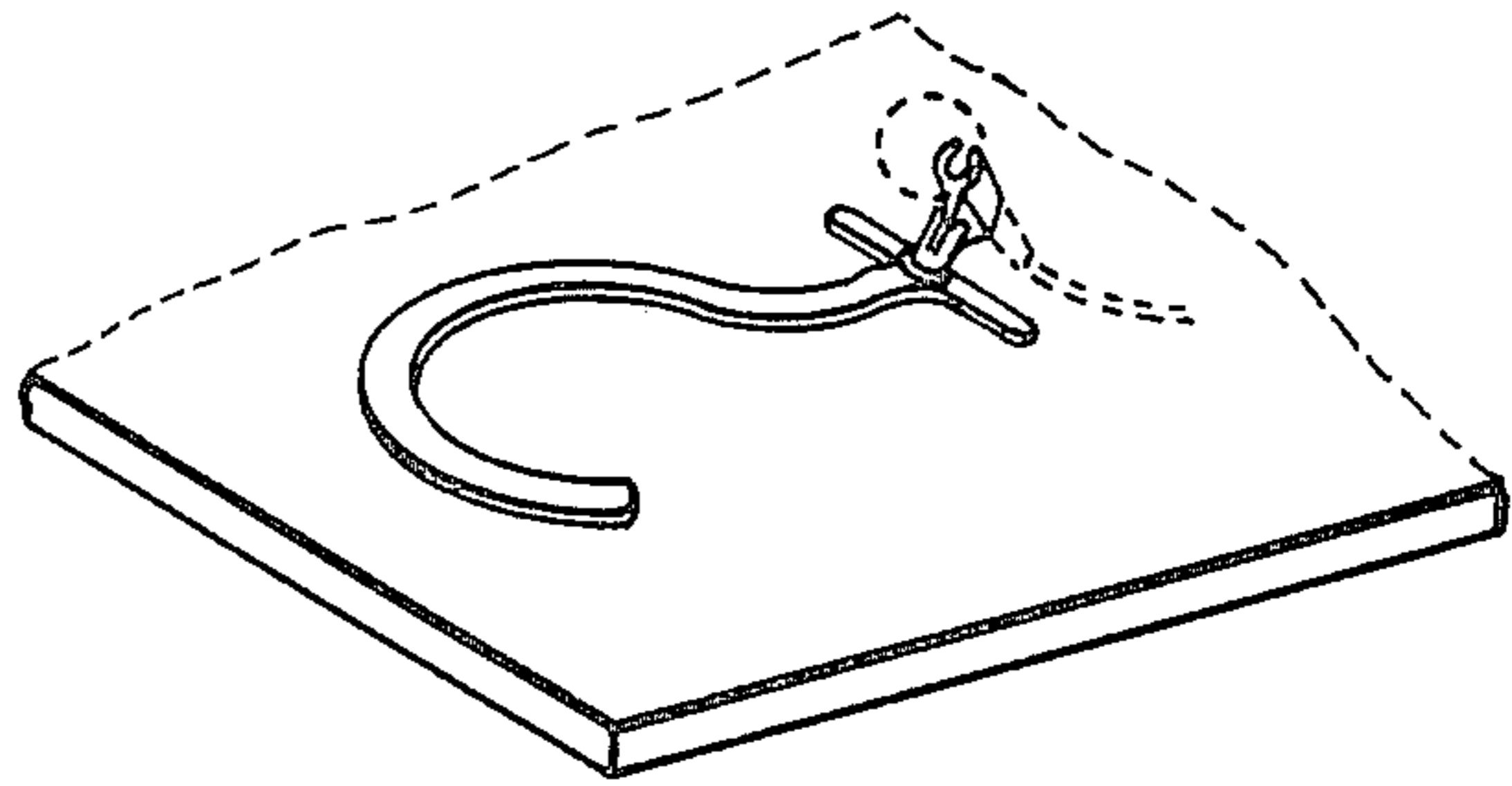


FIG. 2

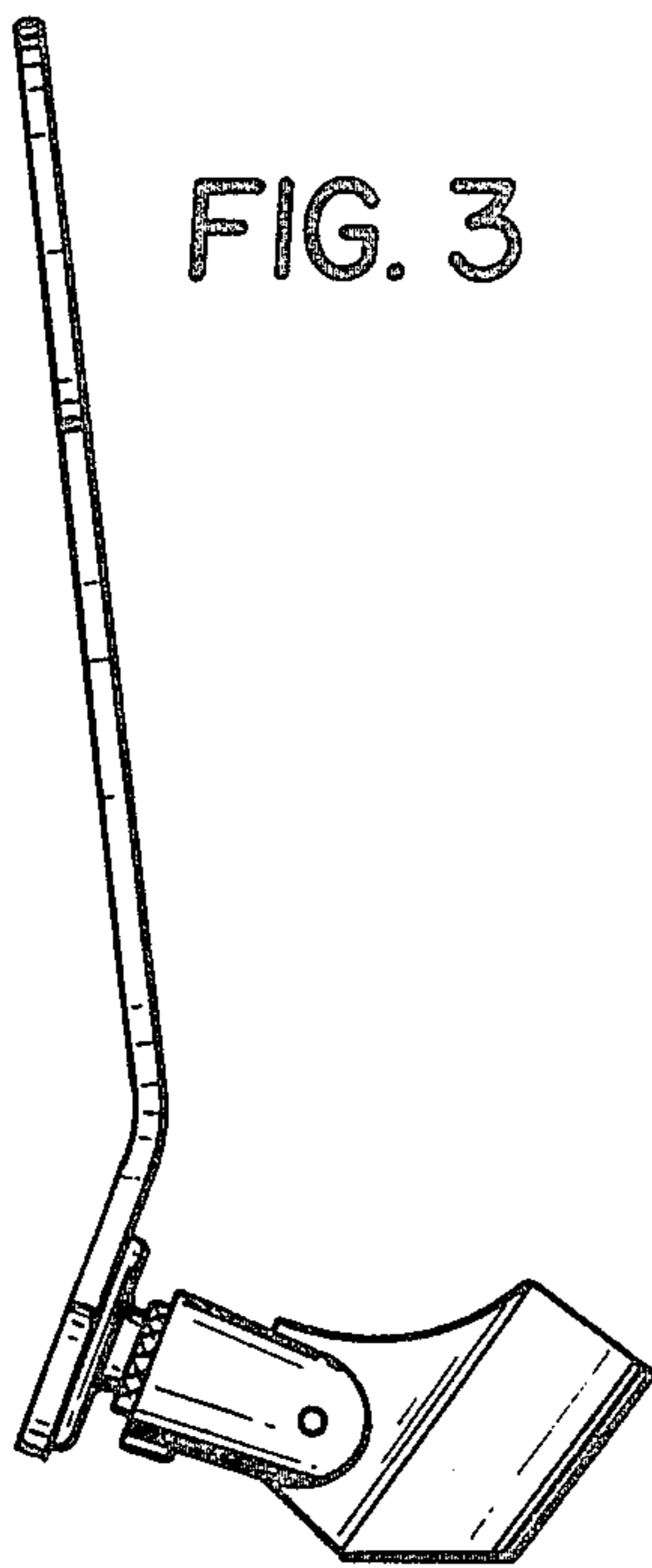


FIG. 3

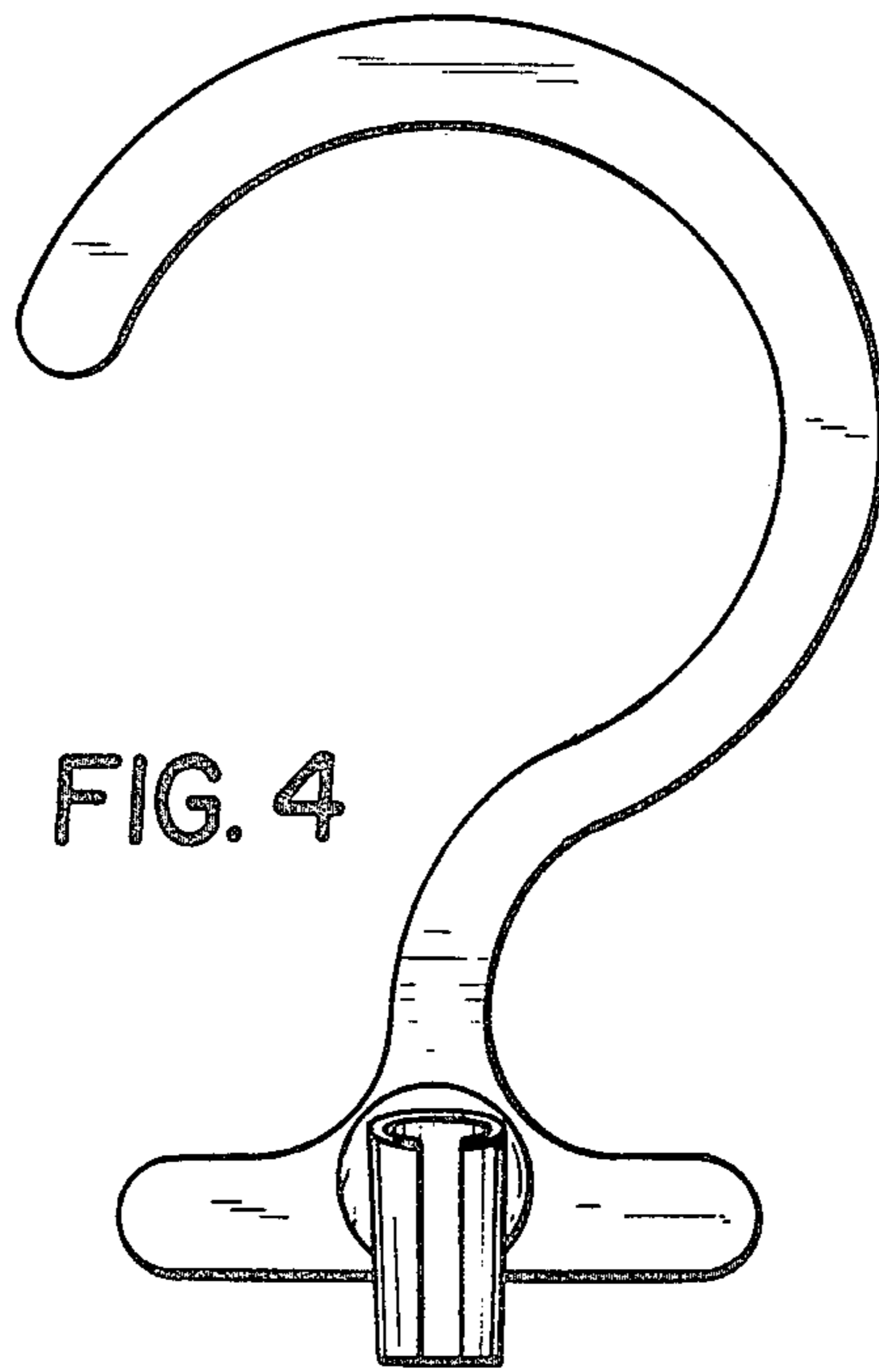


FIG. 4

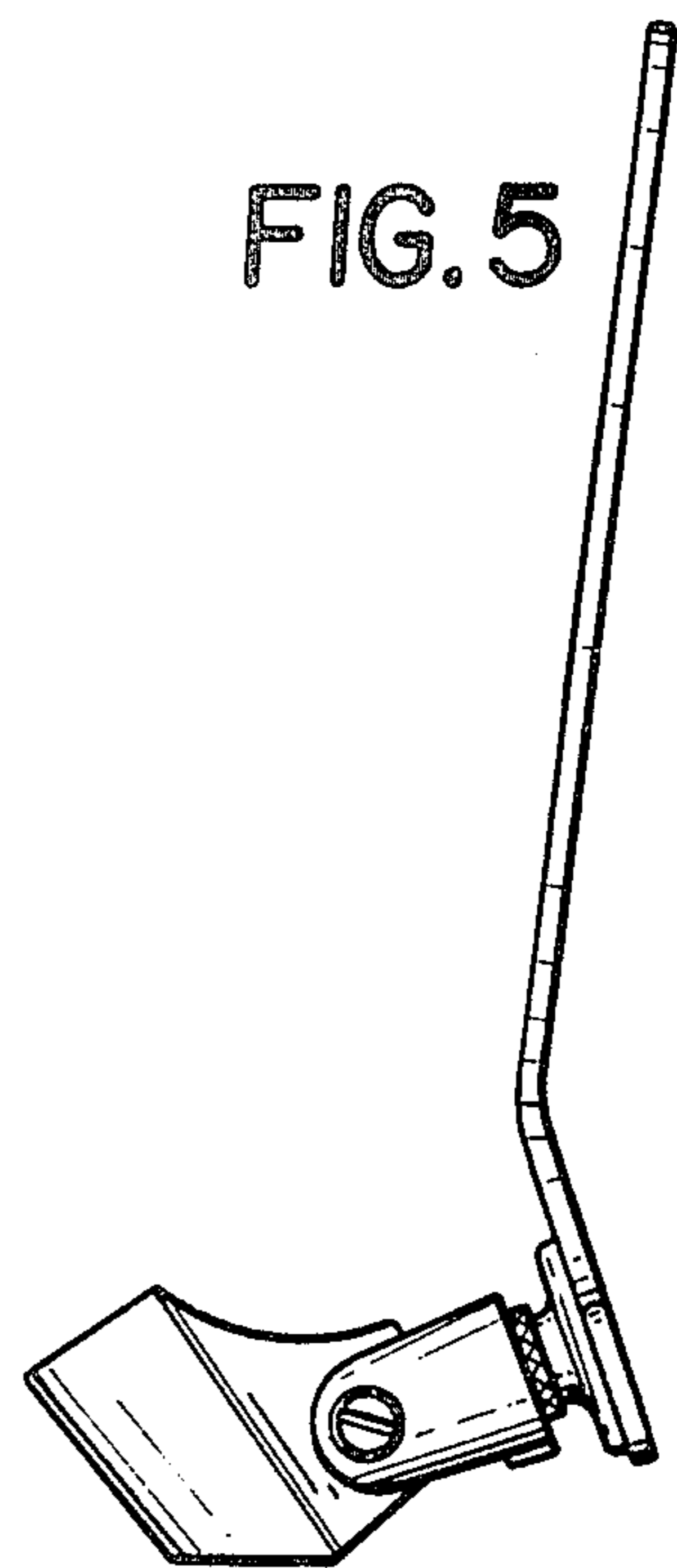


FIG. 5

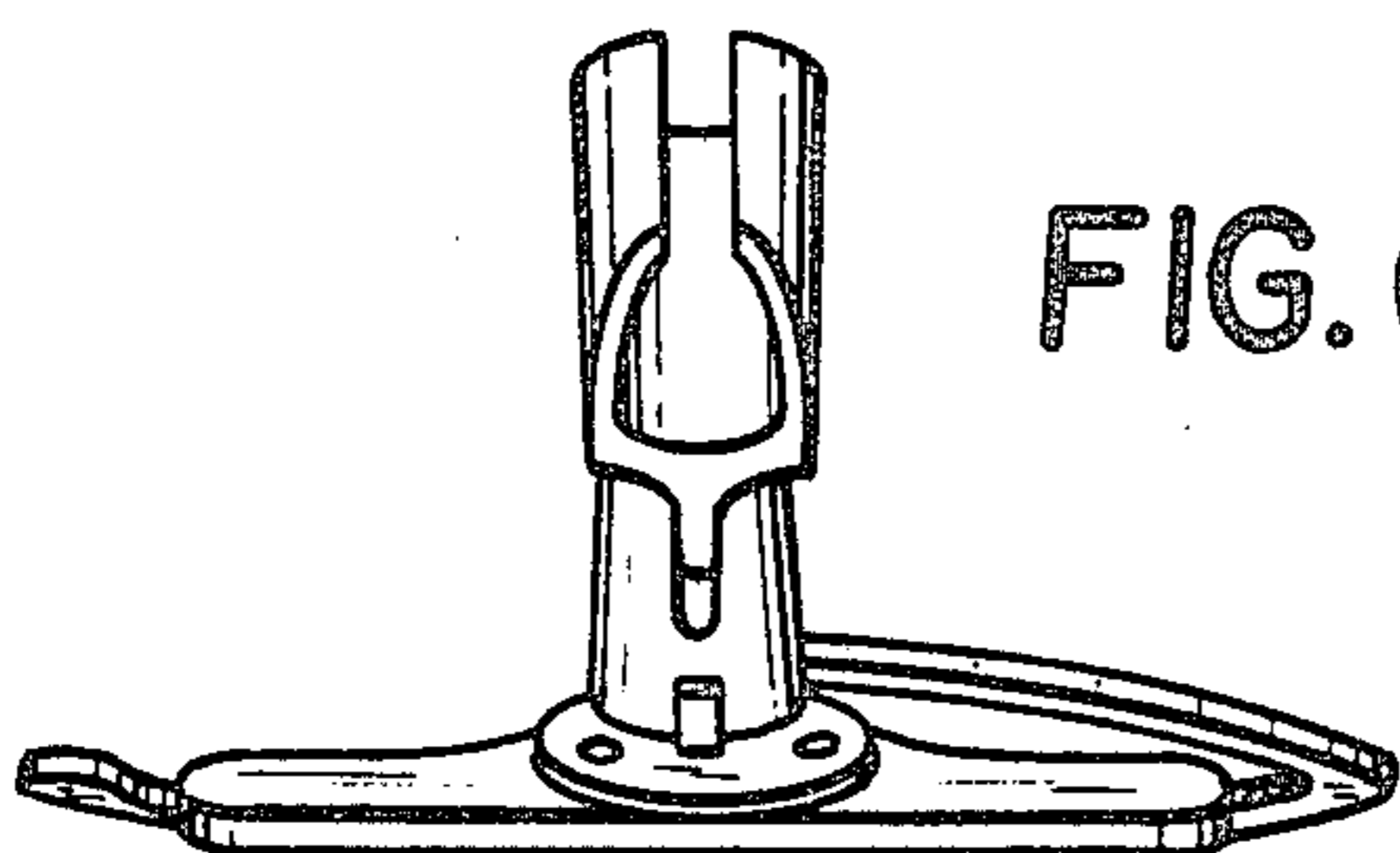


FIG. 6

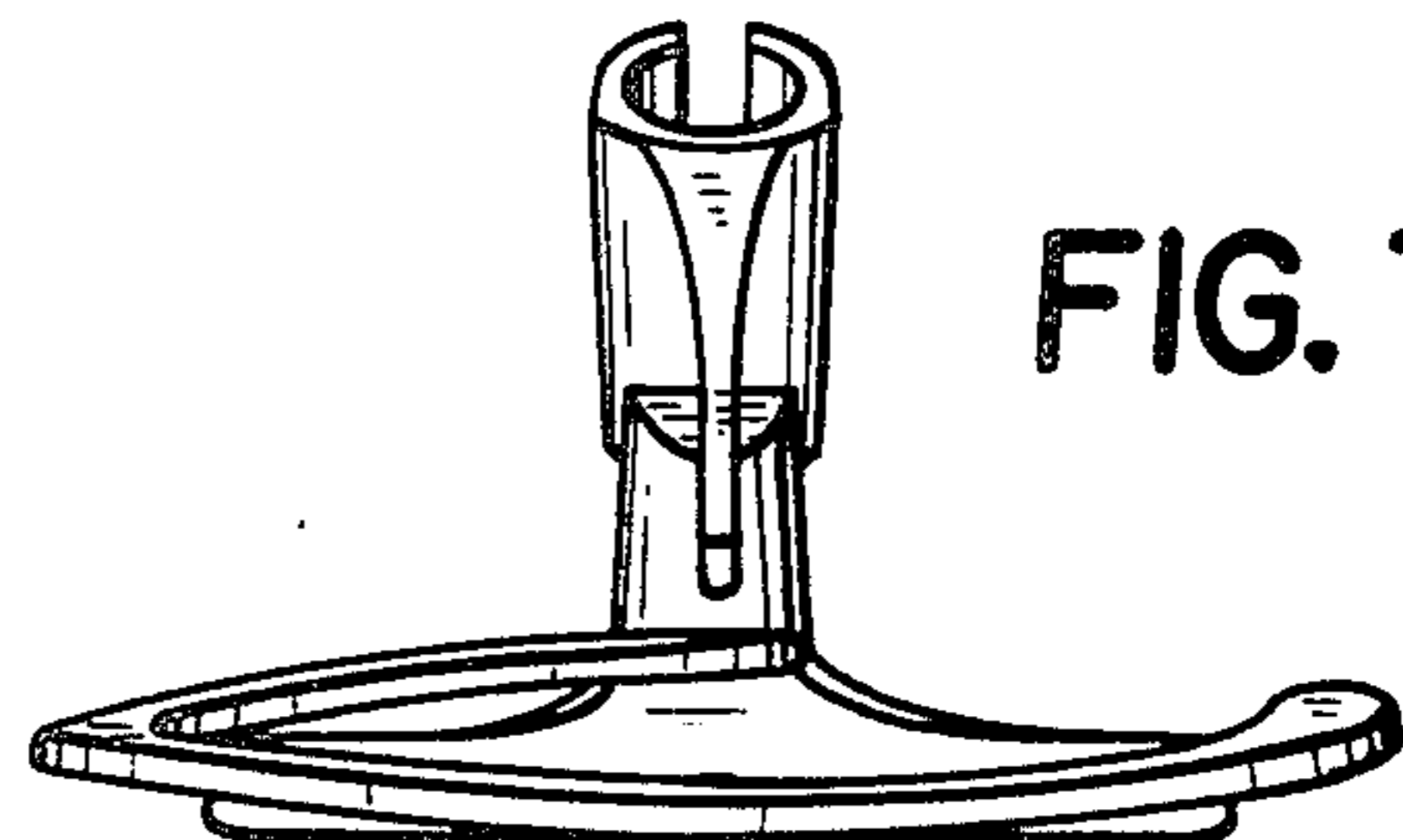


FIG. 7