

[54] FRONT CONTROL PANEL FOR A VEHICULAR COMBINED TAPE PLAYER AND RADIO OR THE LIKE

[75] Inventors: Robert H. Lewis, Farmington Hills; Hector J. Munoz, Canton, both of Mich.

[73] Assignee: Ford Motor Company, Dearborn, Mich.

[\*\*] Term: 14 Years

[21] Appl. No.: 538,020

[22] Filed: Sep. 30, 1983

[52] U.S. Cl. .... D14/10; D14/5; D14/6; D14/7; D14/68; D14/76

[58] Field of Search ..... D14/5-7, D14/68, 10, 76

[56] References Cited PUBLICATIONS

Pioneer Catalog #CS180, ©'80, p. 16, Item #KP-3500.

Evans '81-'82 Catalog, ©'81, p. 272y, Craig Model #T-618, Item #2.

Stereo Review, 8-82, p. 19, Concord HPL-130.

Merchandising, 1-83, p. 69, Reproduced Lechmere Ad, Sony Vehicular Cassette Player & Radio.

Primary Examiner—Jane E. Corrigan

Attorney, Agent, or Firm—Paul K. Godwin, Jr.; Robert D. Sanborn

[57] CLAIM

The ornamental design for a front control panel for a vehicular combined tape player and radio or the like, substantially as shown and described.

DESCRIPTION

FIG. 1 is a front, top and right side perspective view of a front control panel for a vehicular combined tape player and radio or the like showing our new design;

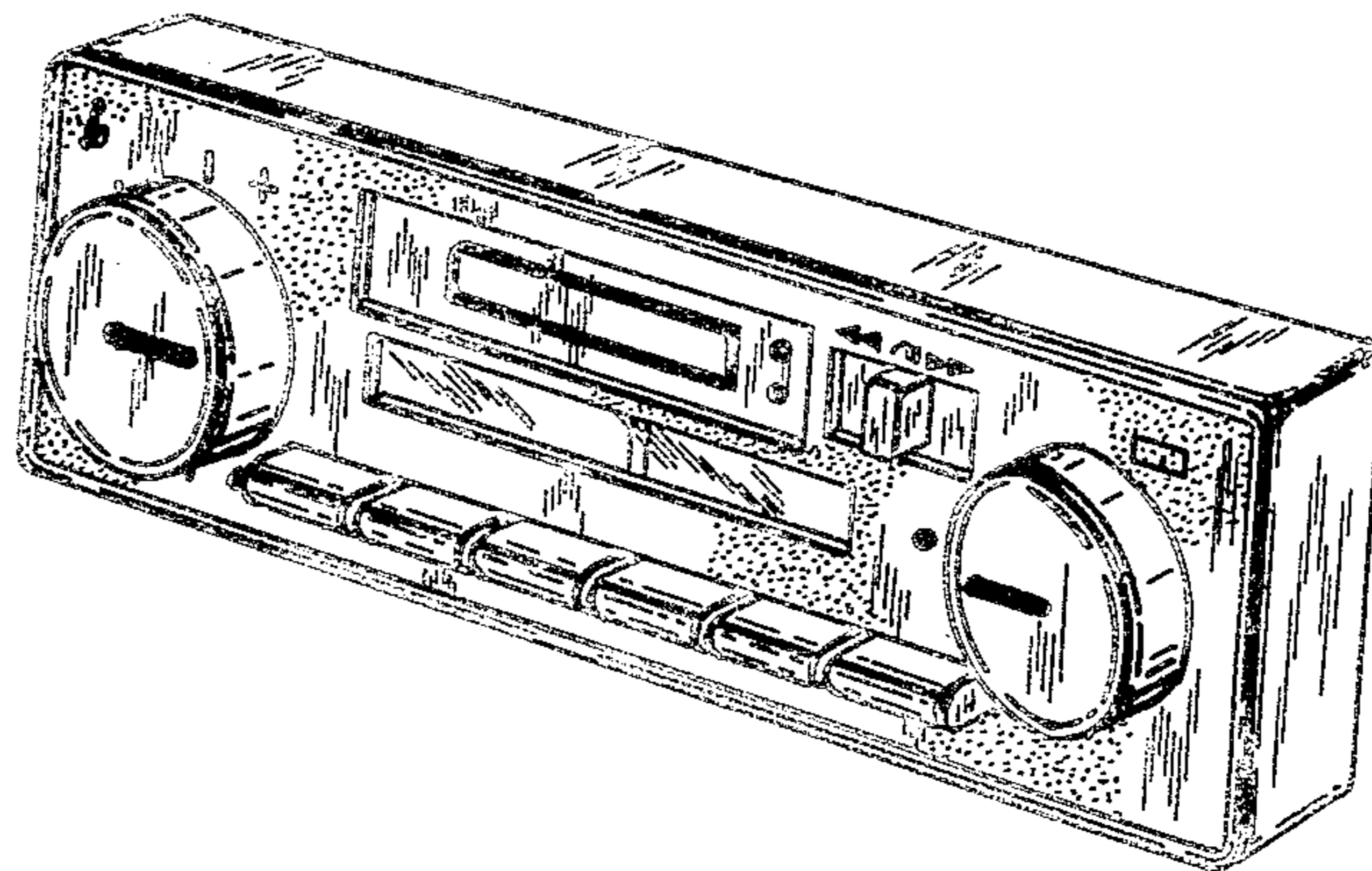
FIG. 2 is a front elevational view;

FIG. 3 is a top plan view;

FIG. 4 is a bottom plan view;

FIG. 5 is a left side elevational view; and

FIG. 6 is a right side elevational view.



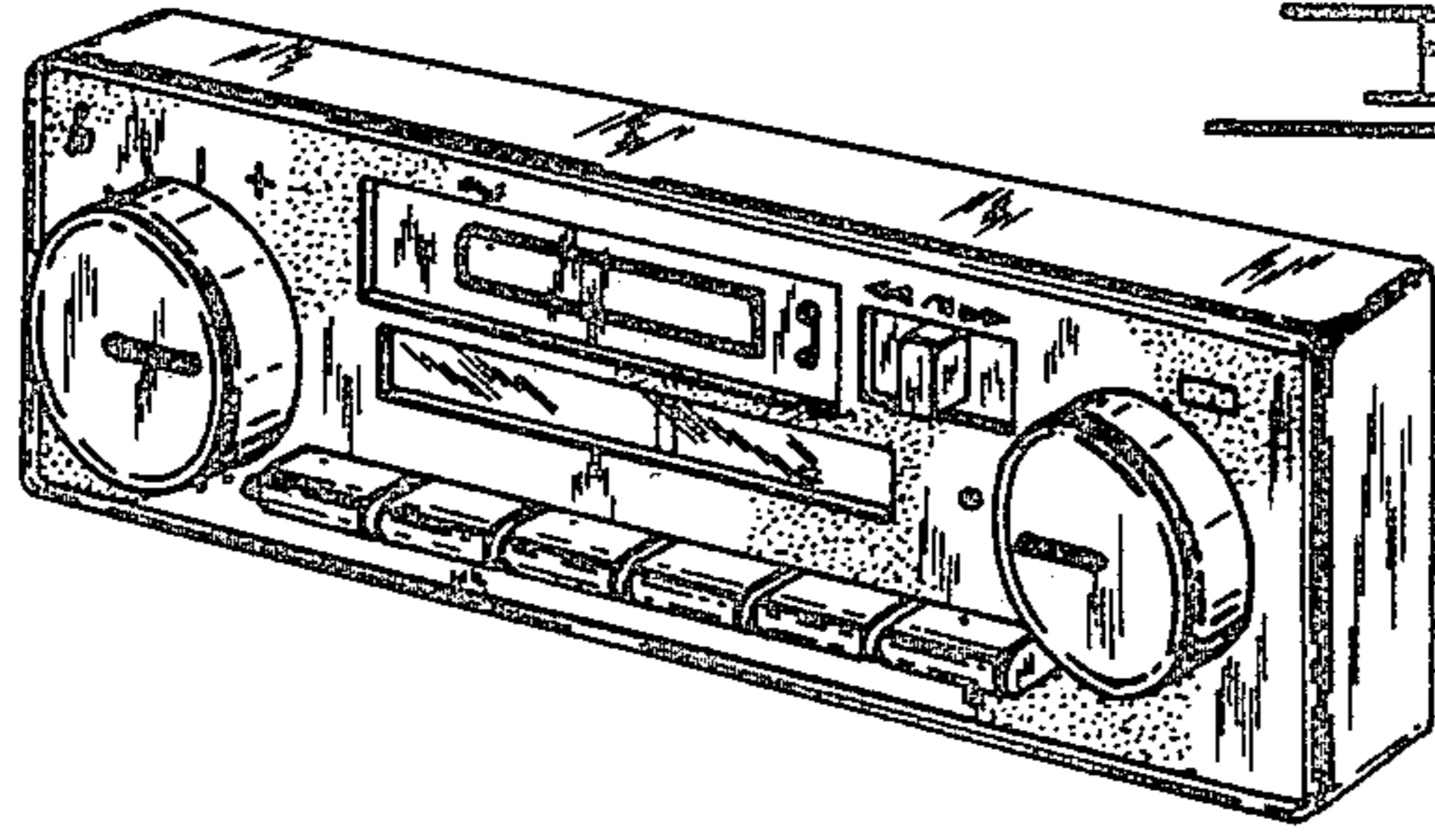


FIG. 1.

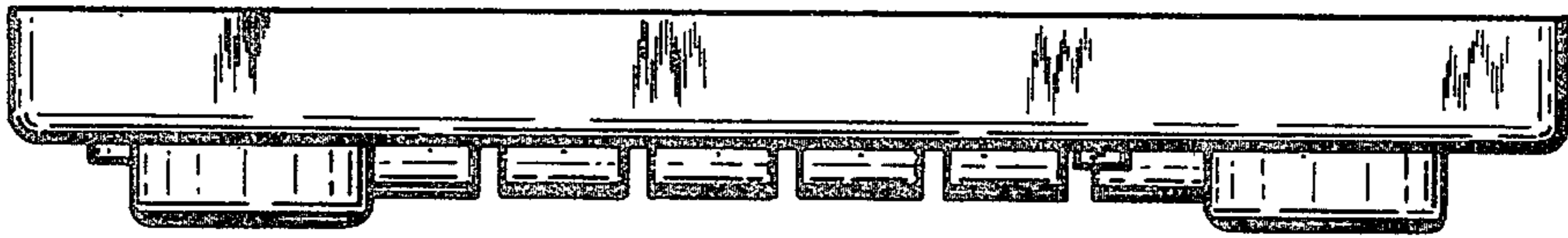


FIG. 2.

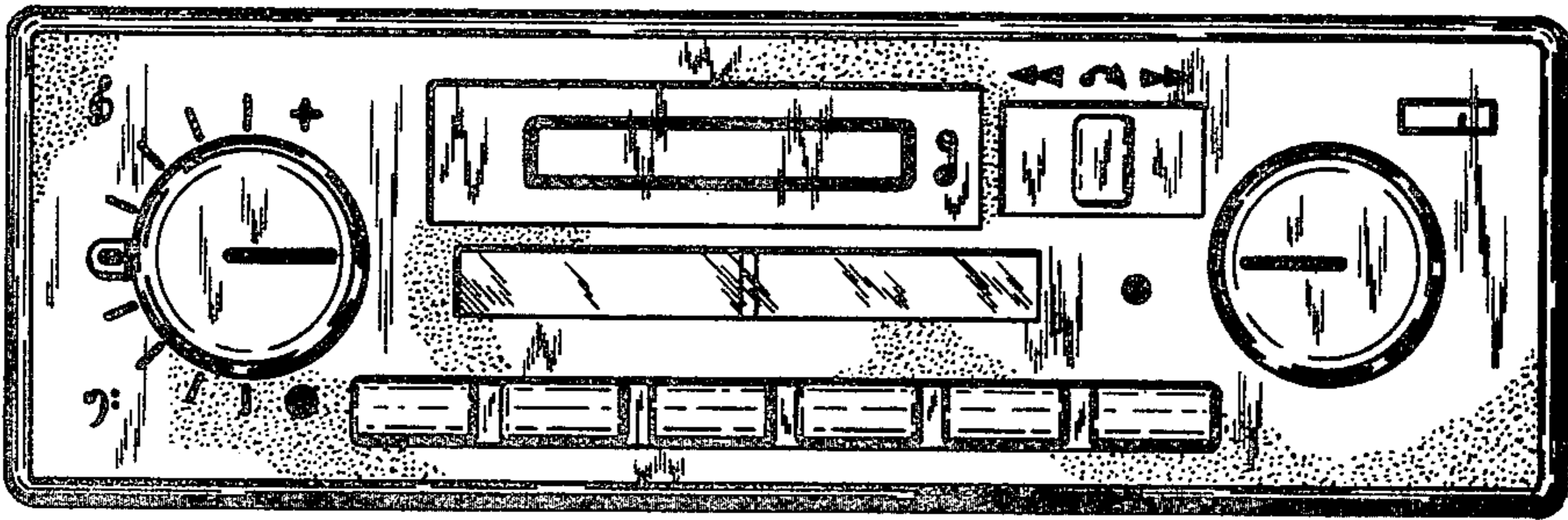


FIG. 3.

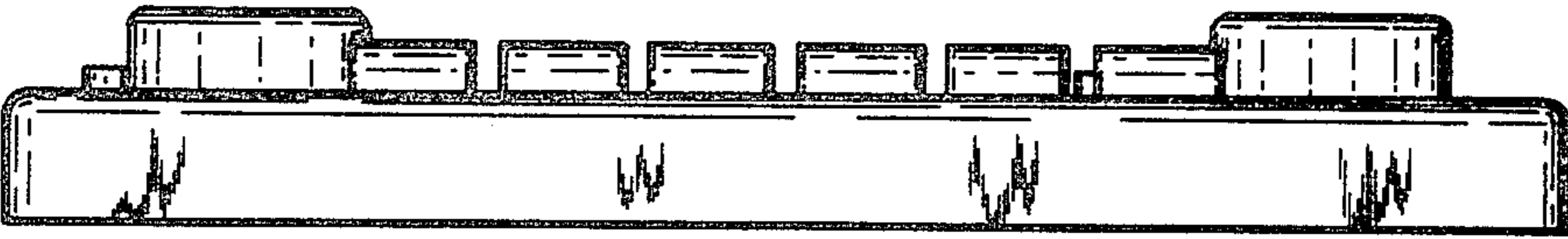


FIG. 4.

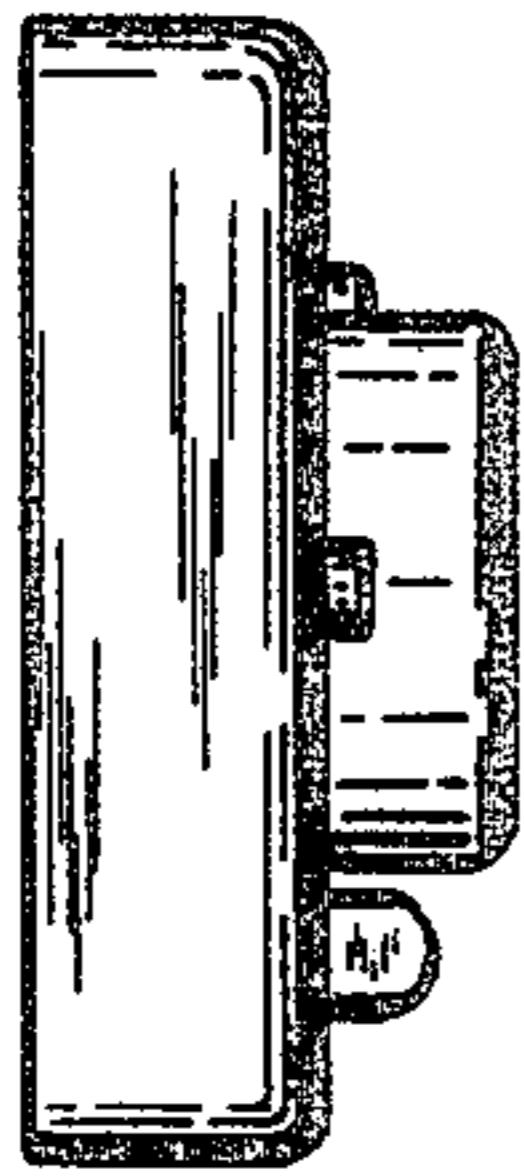


FIG. 5.



FIG. 6.