

[54] ELECTRICAL CONNECTOR

[75] Inventors: John H. Buscher, East Amherst; Michael E. Hoffman, Lockport, both of N.Y.

[73] Assignee: Eastman Machine Company, Buffalo, N.Y.

[\*\*] Term: 14 Years

[21] Appl. No.: 431,169

[22] Filed: Sep. 30, 1982

[52] U.S. Cl. .... D13/24; D13/28; D13/30

[58] Field of Search ..... D13/24, 26, 27, 28, D13/29, 30, 31; 339/91 R, 195 R, 195 A, 195 L, 195 M, 195 S, 196 A, 196 M, 196 R, 60, 207, 208, 210 R, 210 M, 210 T, 217 S, 61, 65, 66, 166 R, 107, 182, 183, 185, 186, 59 R

[56] References Cited

U.S. PATENT DOCUMENTS

- D. 227,990 7/1973 Brinser et al. .... D13/24
- D. 242,720 12/1976 Loforese ..... D13/30
- 2,891,103 6/1959 Swengel ..... 339/217 SX
- 4,008,940 2/1977 Foley ..... 339/91 R

FOREIGN PATENT DOCUMENTS

- 1915255 10/1970 Fed. Rep. of Germany ..... 339/66
- 2803359 8/1978 Fed. Rep. of Germany ... 339/210 M
- 1394871 3/1965 France ..... 339/208

OTHER PUBLICATIONS

Molex Products Company Brochure-Connector Model #1181.

Primary Examiner—Susan J. Lucas

Assistant Examiner—C. E. Heflin

Attorney, Agent, or Firm—Christel, Bean & Linihan

[57] CLAIM

The ornamental design for an electrical connector, substantially as shown.

DESCRIPTION

FIG. 1 is a top plan view of an electrical connector showing our new design;

FIG. 2 is a side elevational view thereof, the opposite side being identical;

FIG. 3 is a bottom plan view thereof;

FIG. 4 is an end elevational view thereof;

FIG. 5 is an opposite end elevational view thereof;

FIG. 6 is a perspective view thereof, with the receptacle portion being omitted for completeness of disclosure;

FIG. 7 is a perspective view thereof, with the plug portion being omitted for completeness of disclosure;

FIG. 8 is a top plan view of a modified form of an electrical connector showing our new design;

FIG. 9 is a side elevational view thereof, the opposite side being identical;

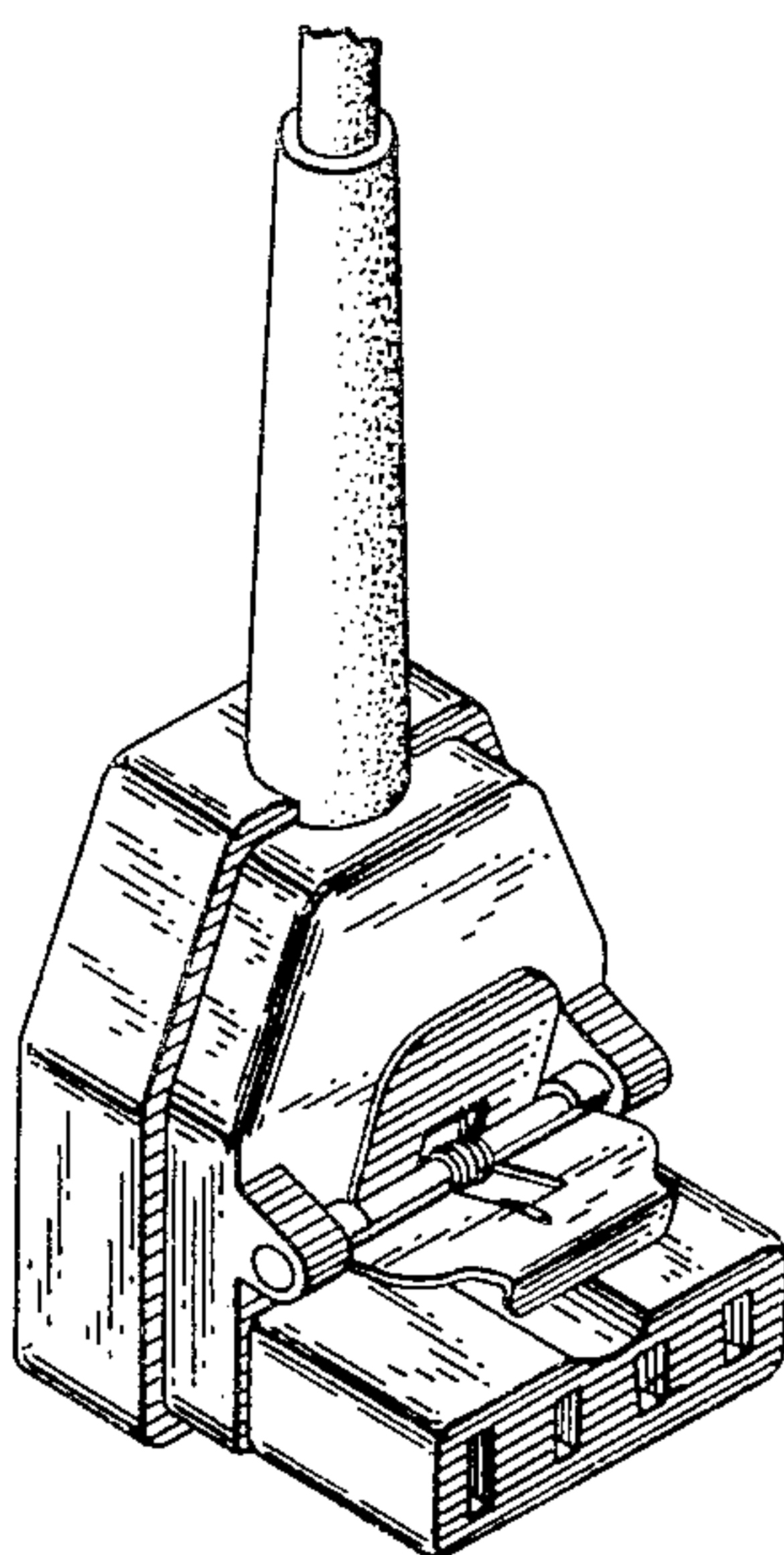
FIG. 10 is a bottom plan view thereof;

FIG. 11 is an end elevational view thereof;

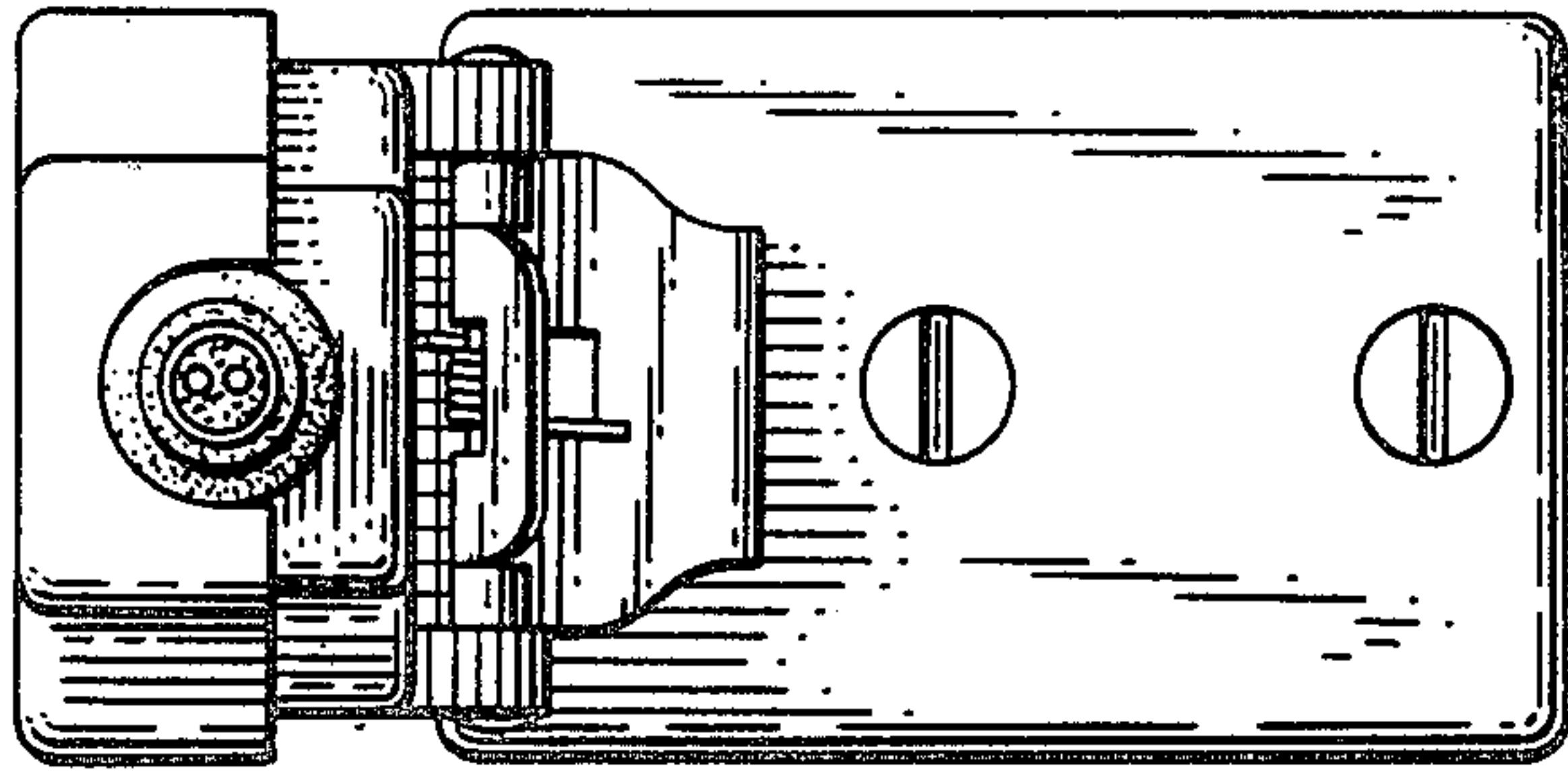
FIG. 12 is an opposite end elevational view thereof;

FIG. 13 is a perspective view thereof, with the receptacle portion being omitted for completeness of disclosure;

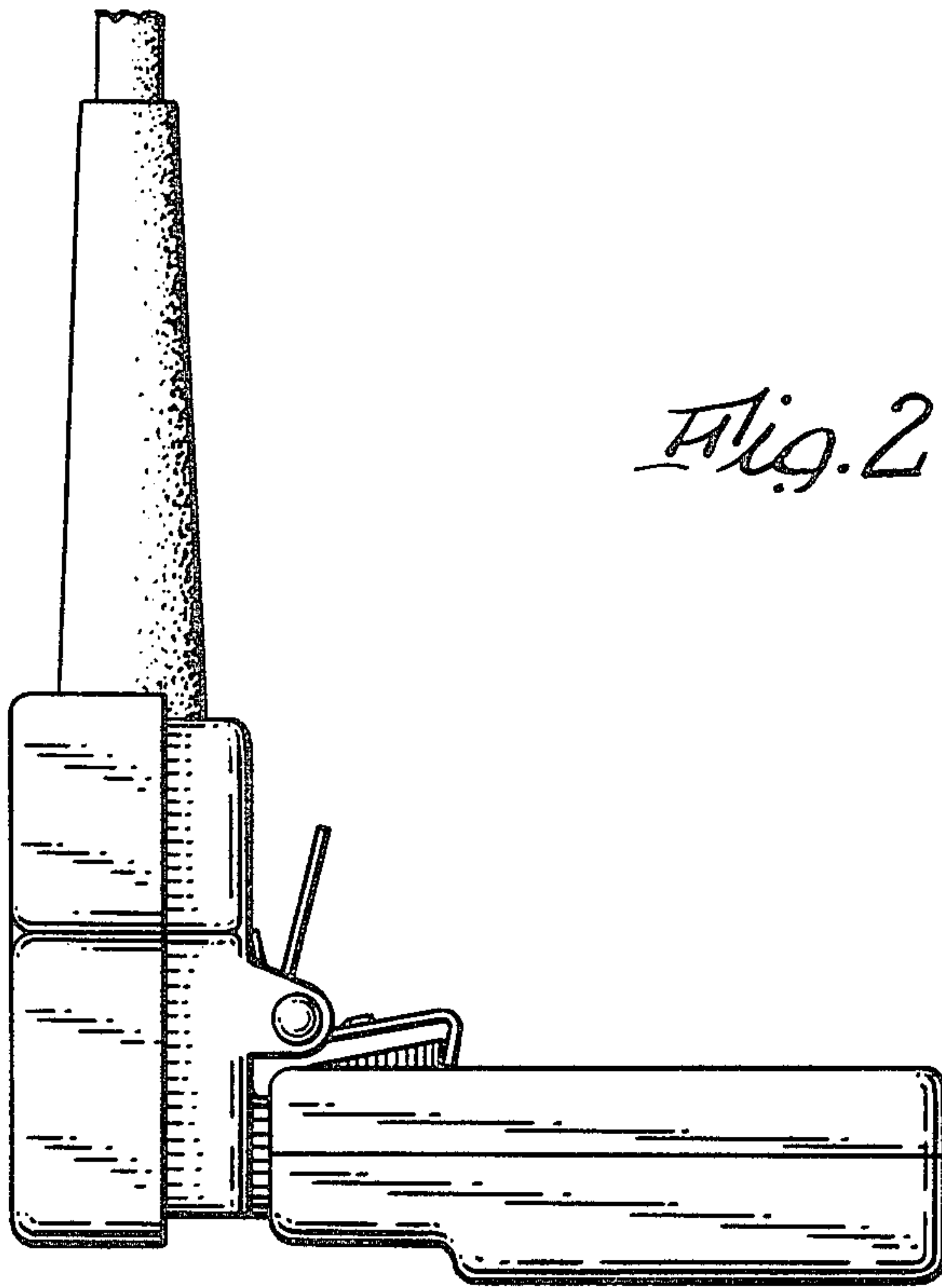
FIG. 14 is a perspective view thereof, with the plug portion being omitted for completeness of disclosure.



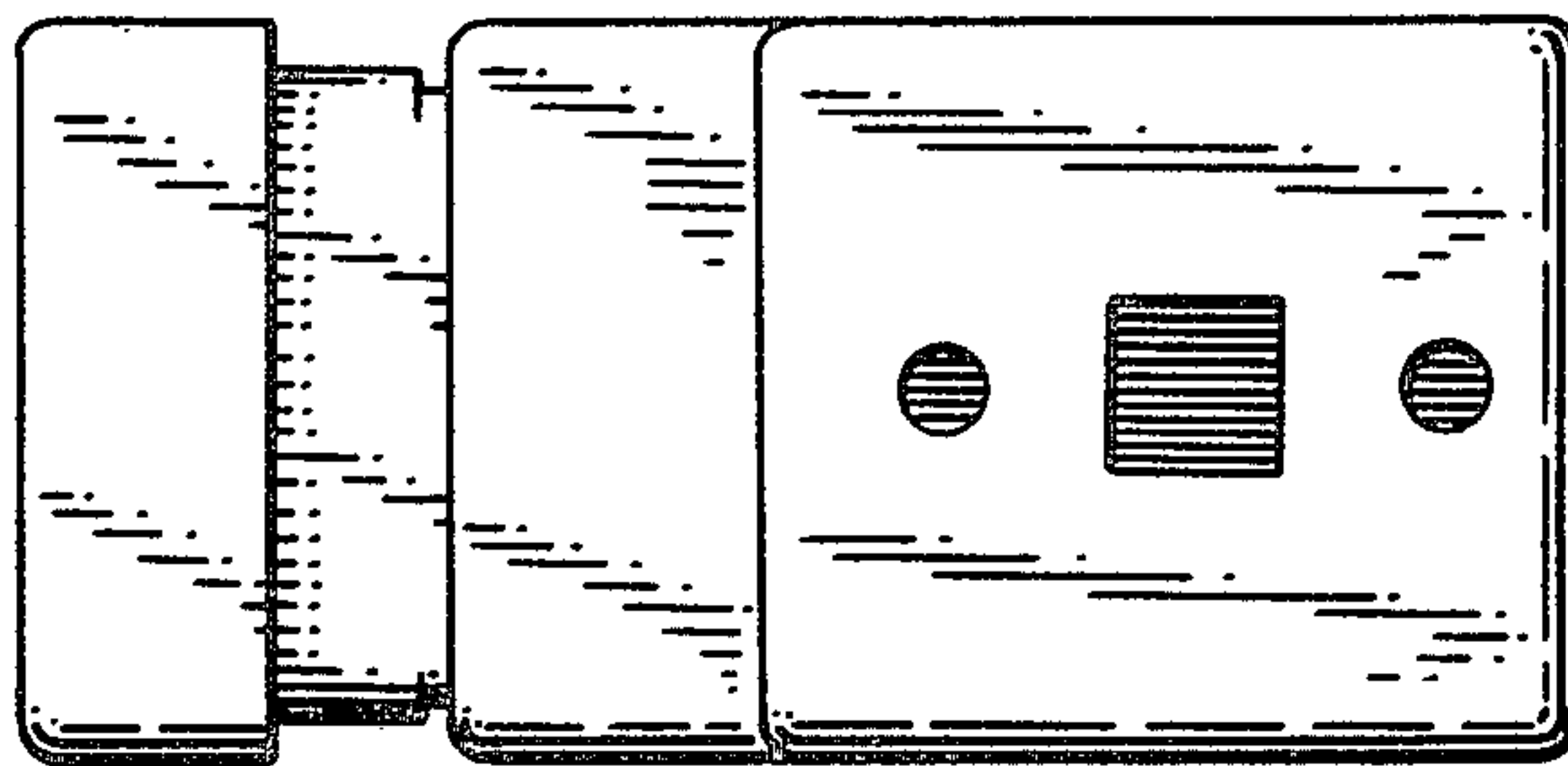
*Fig. 1*

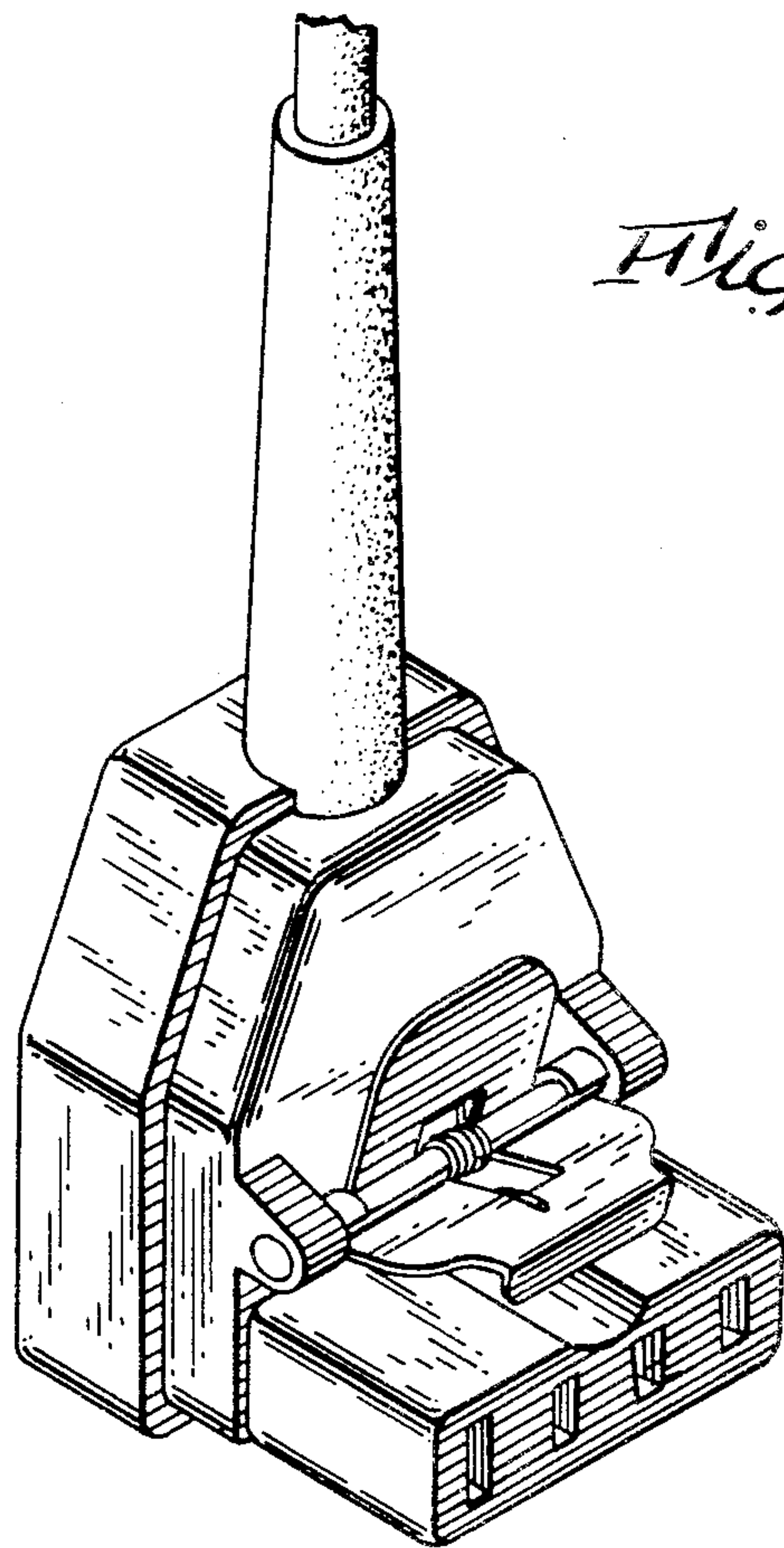


*Fig. 2*

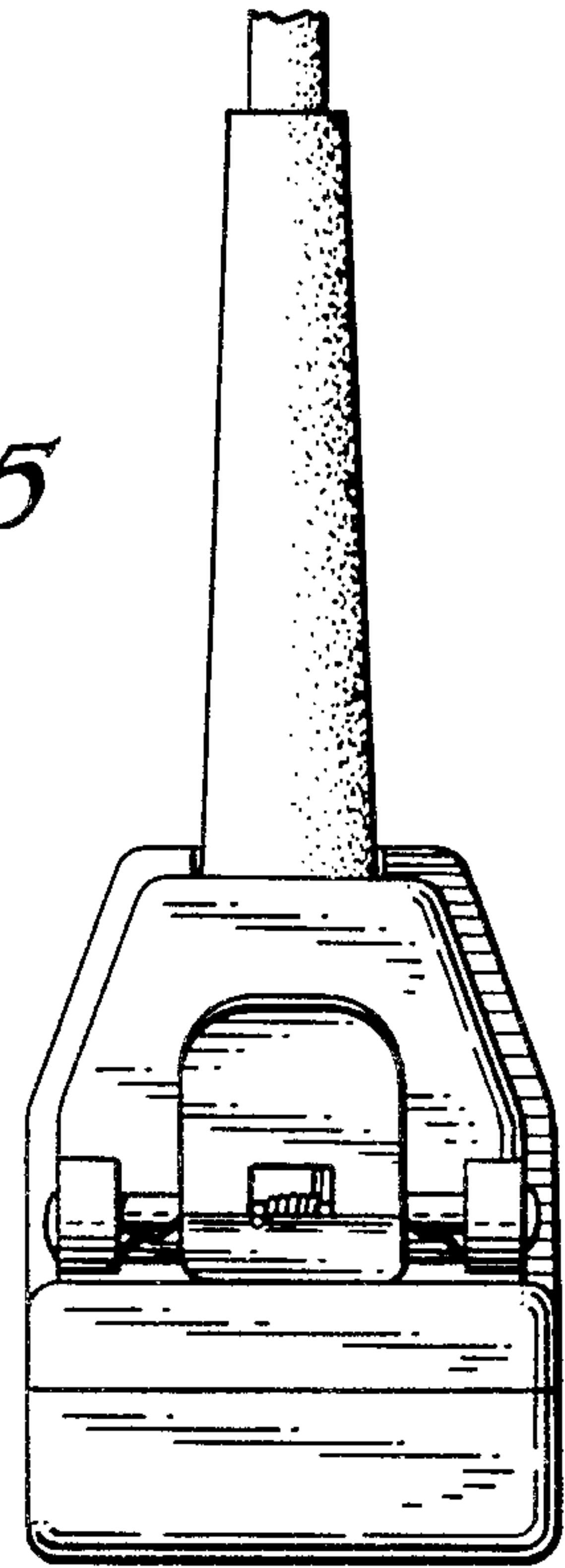


*Fig. 3*

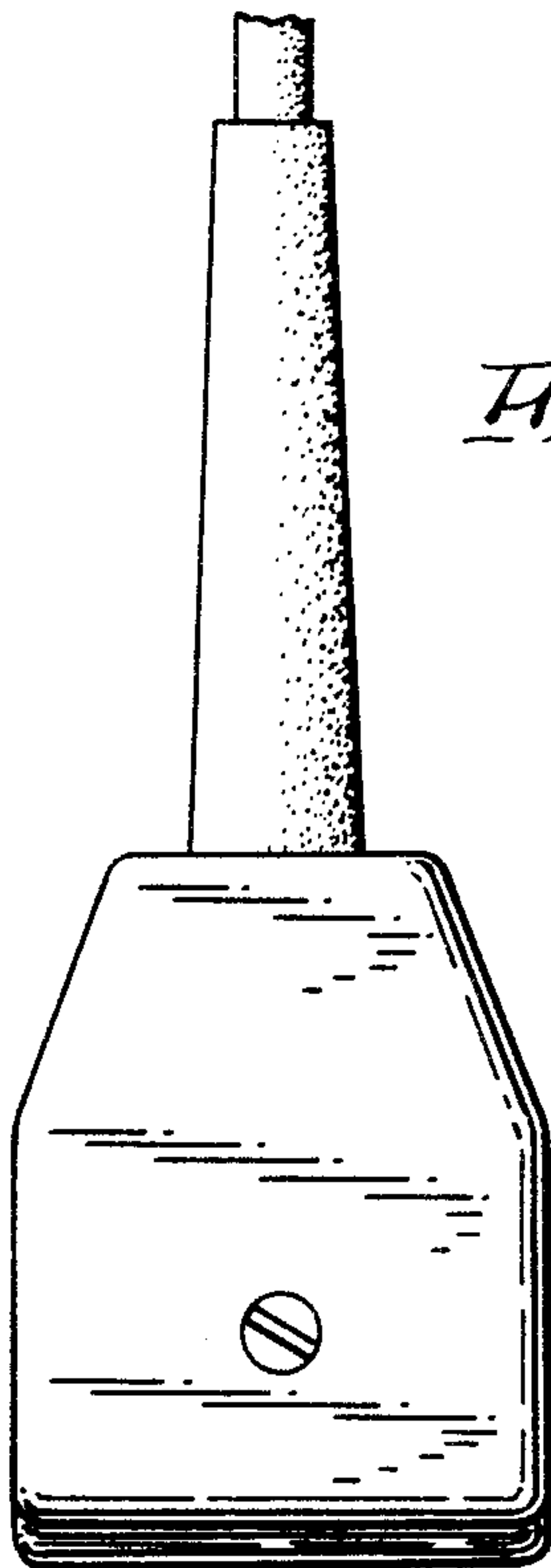




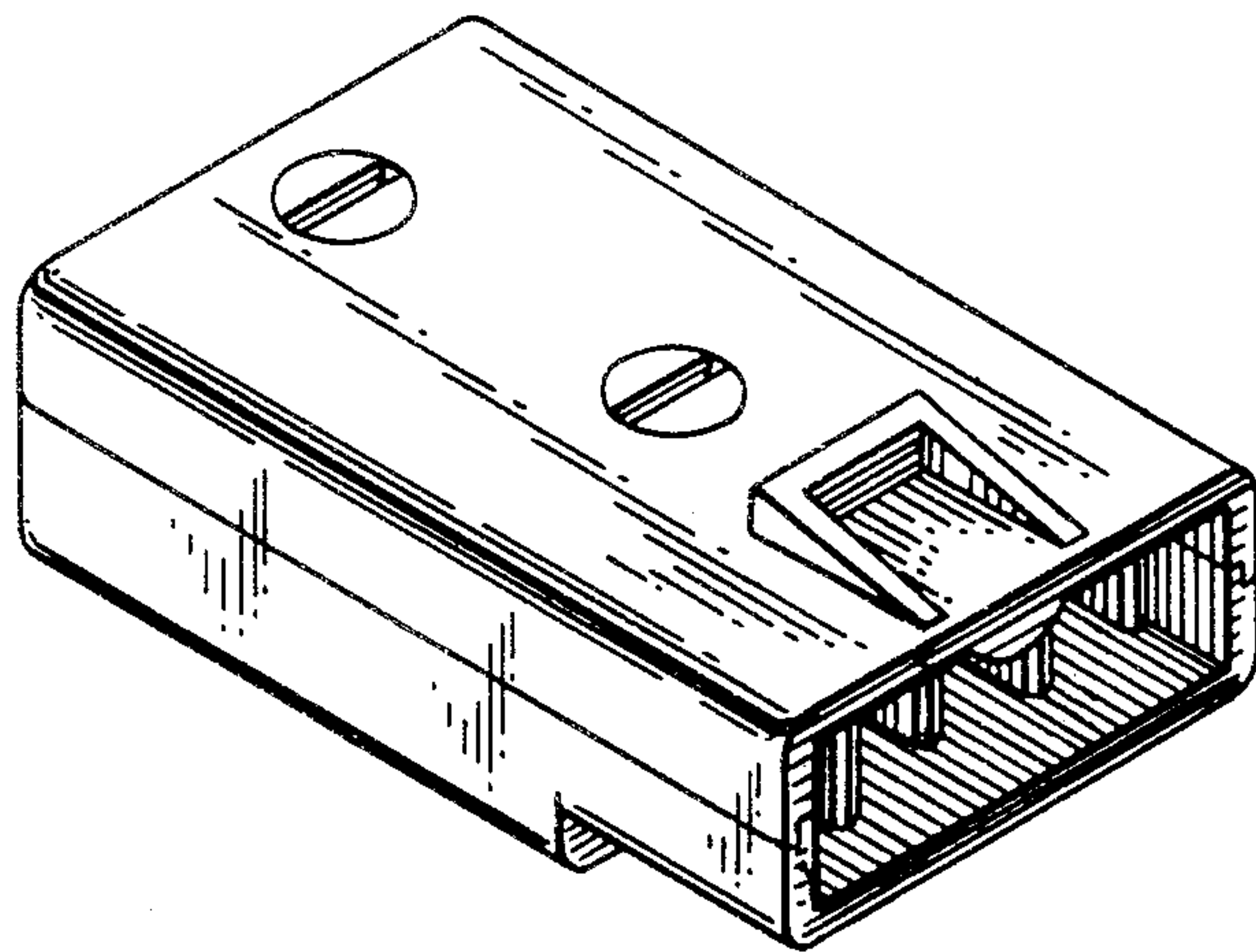
*Fig. 6*



*Fig. 5*



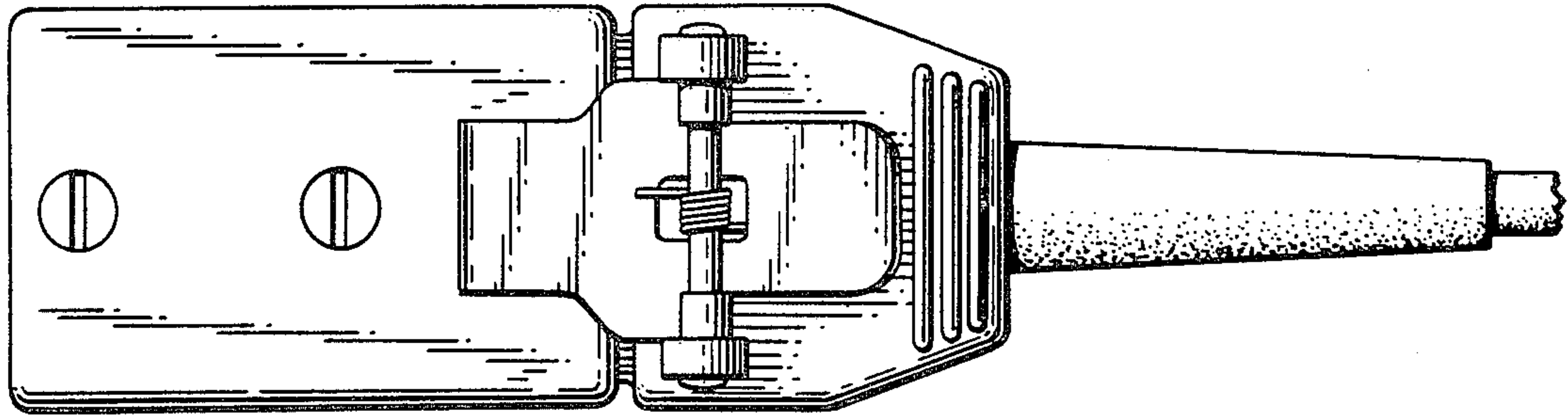
*Fig. 4*



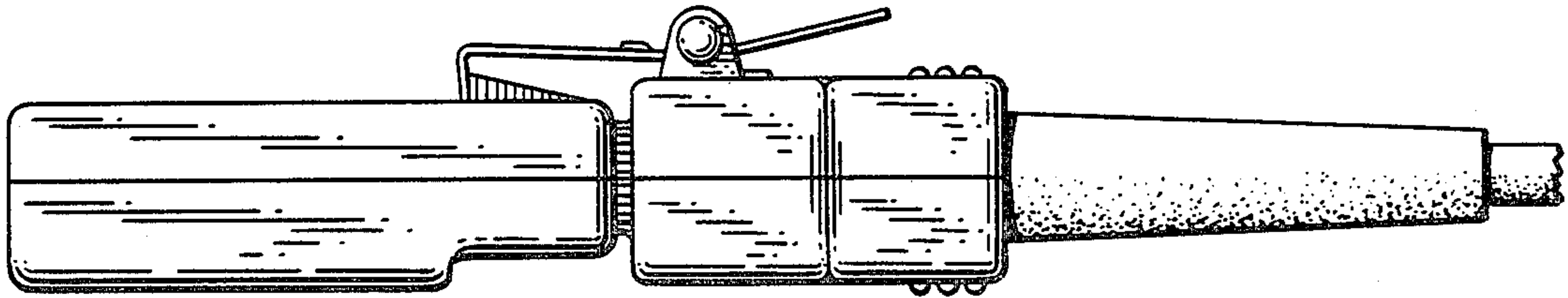
*Fig. 7*



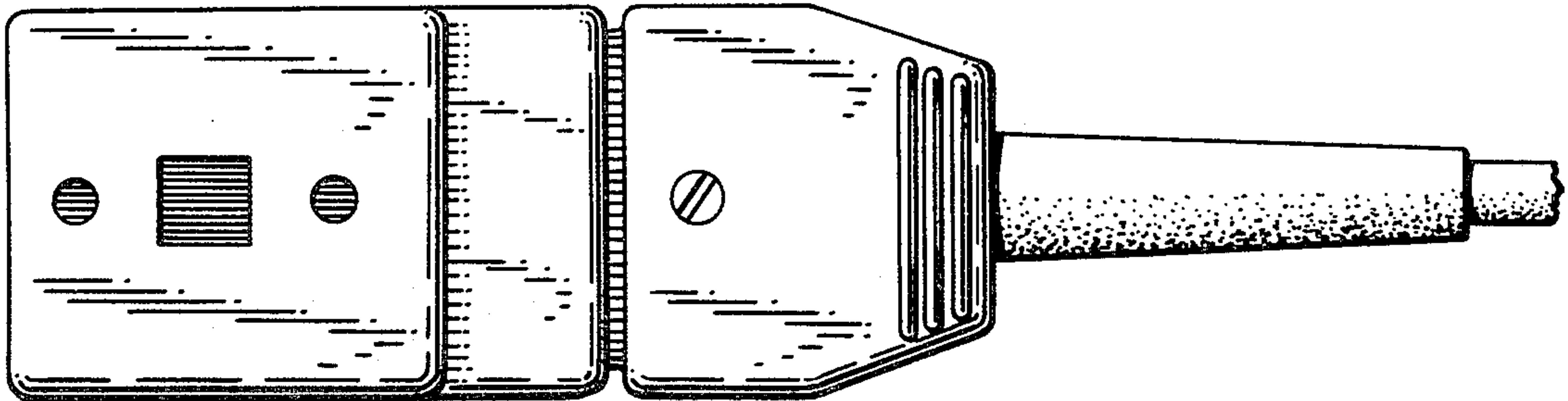
*Fig. 8*



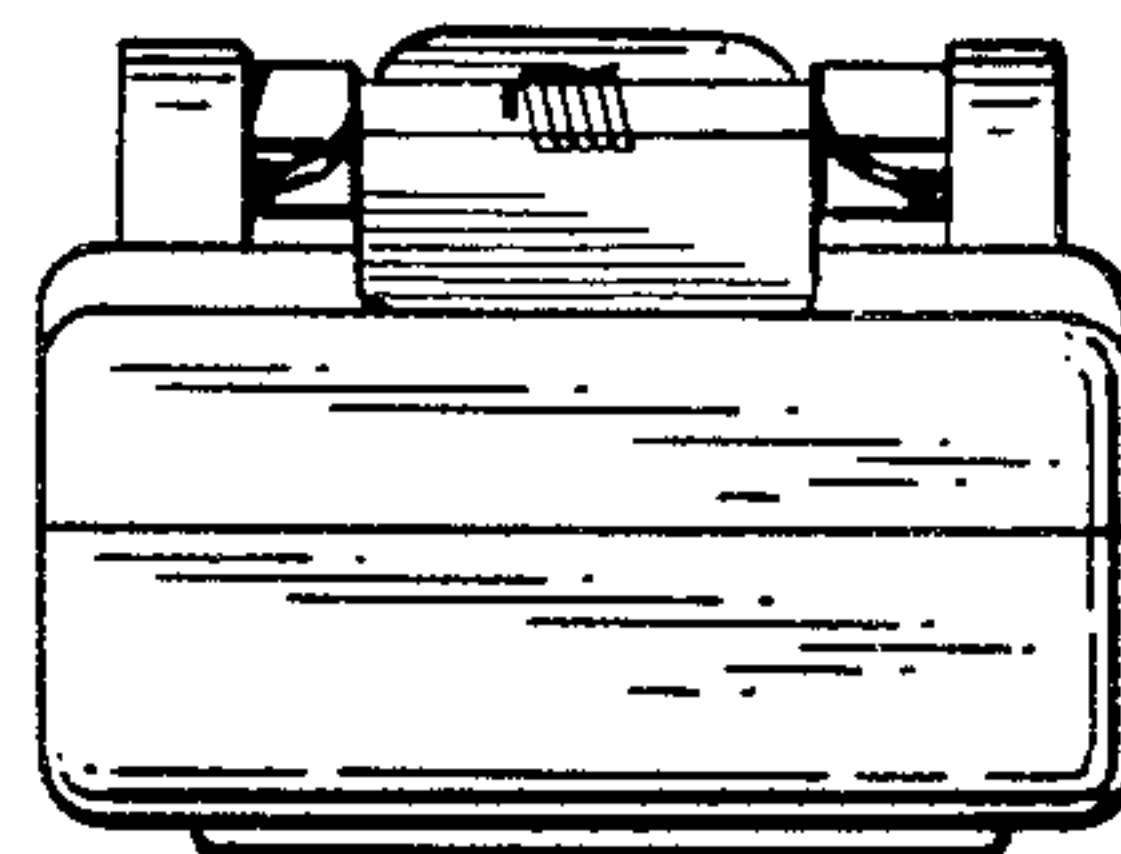
*Fig. 9*



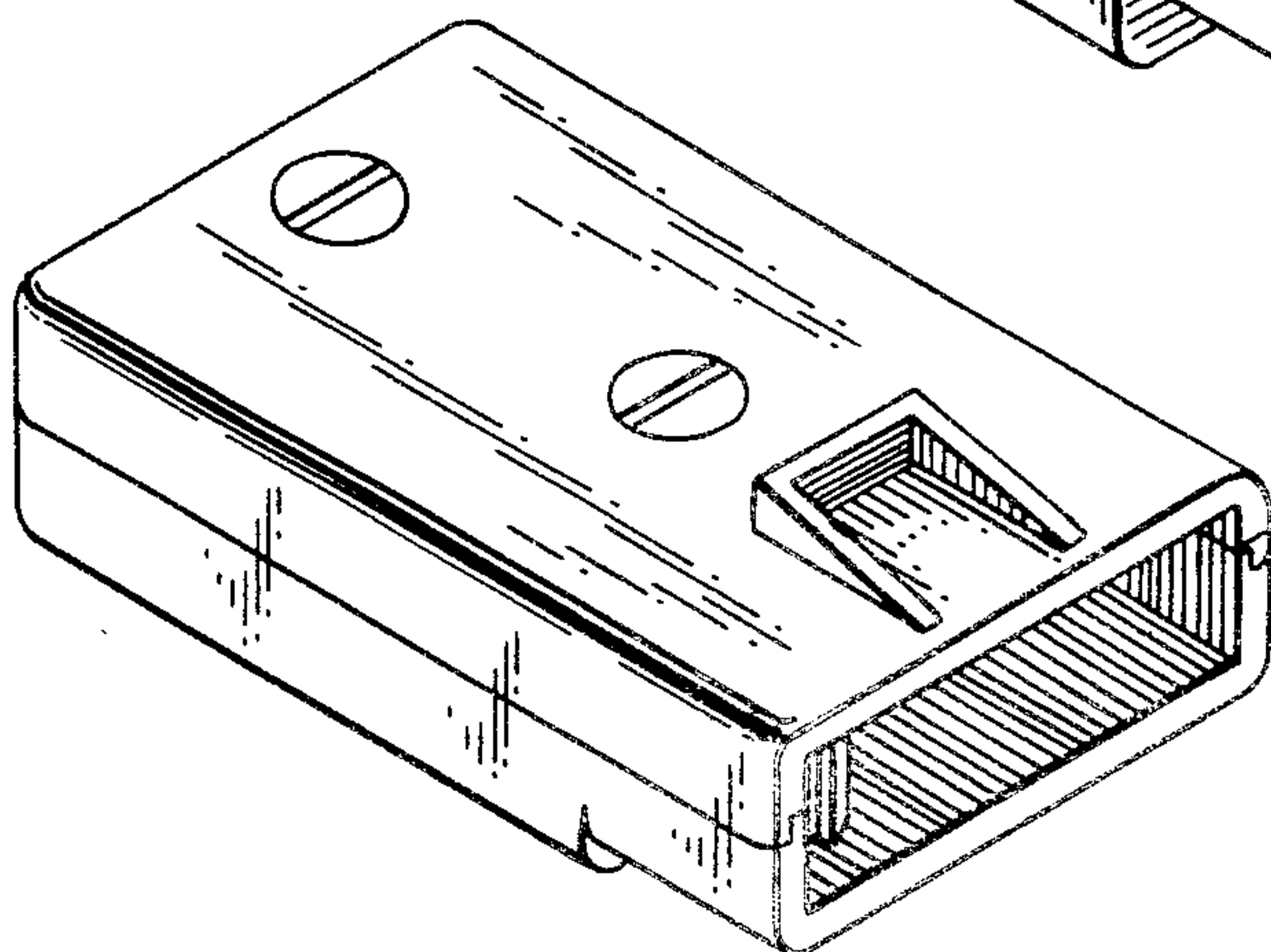
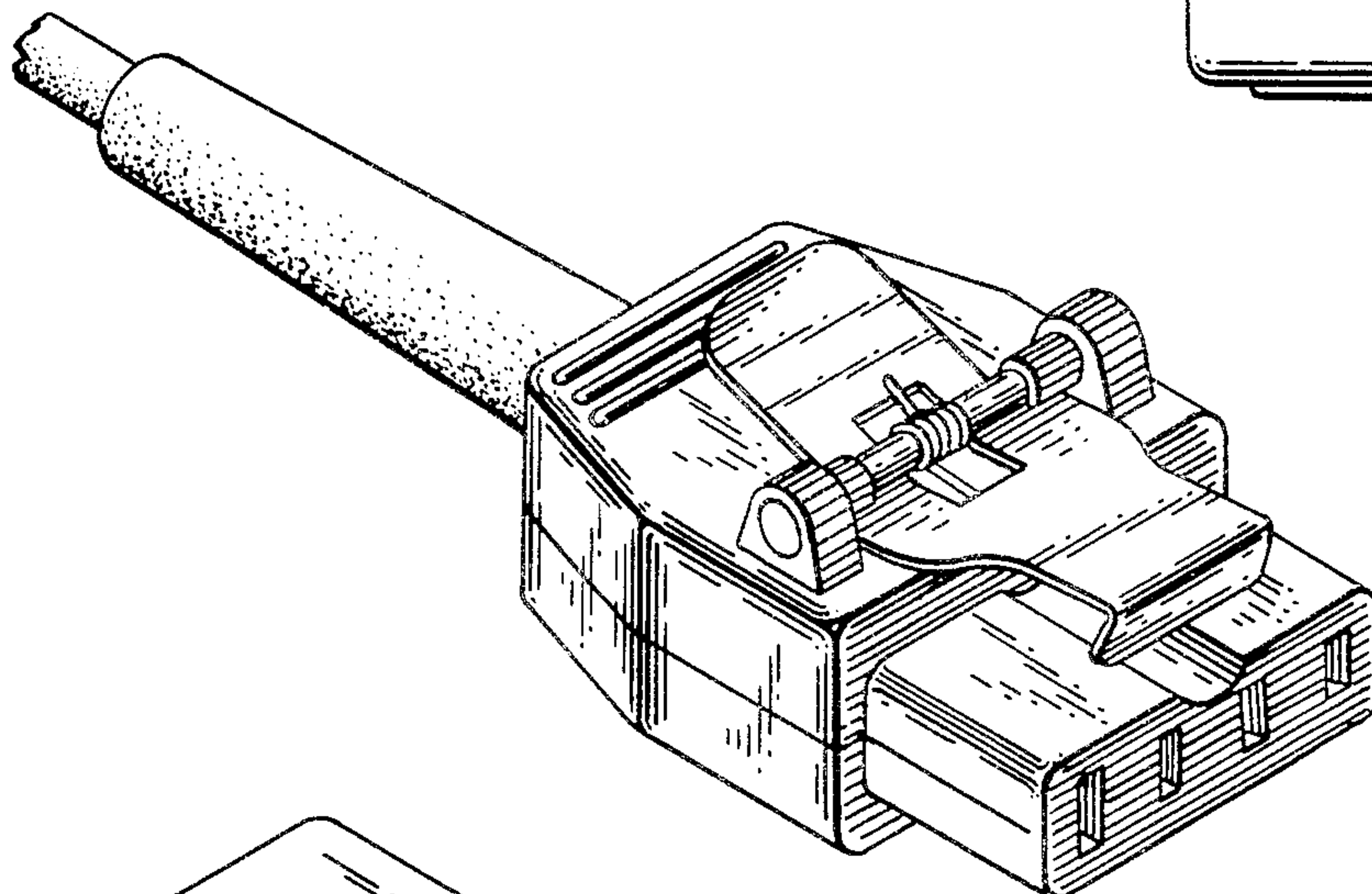
*Fig. 10*



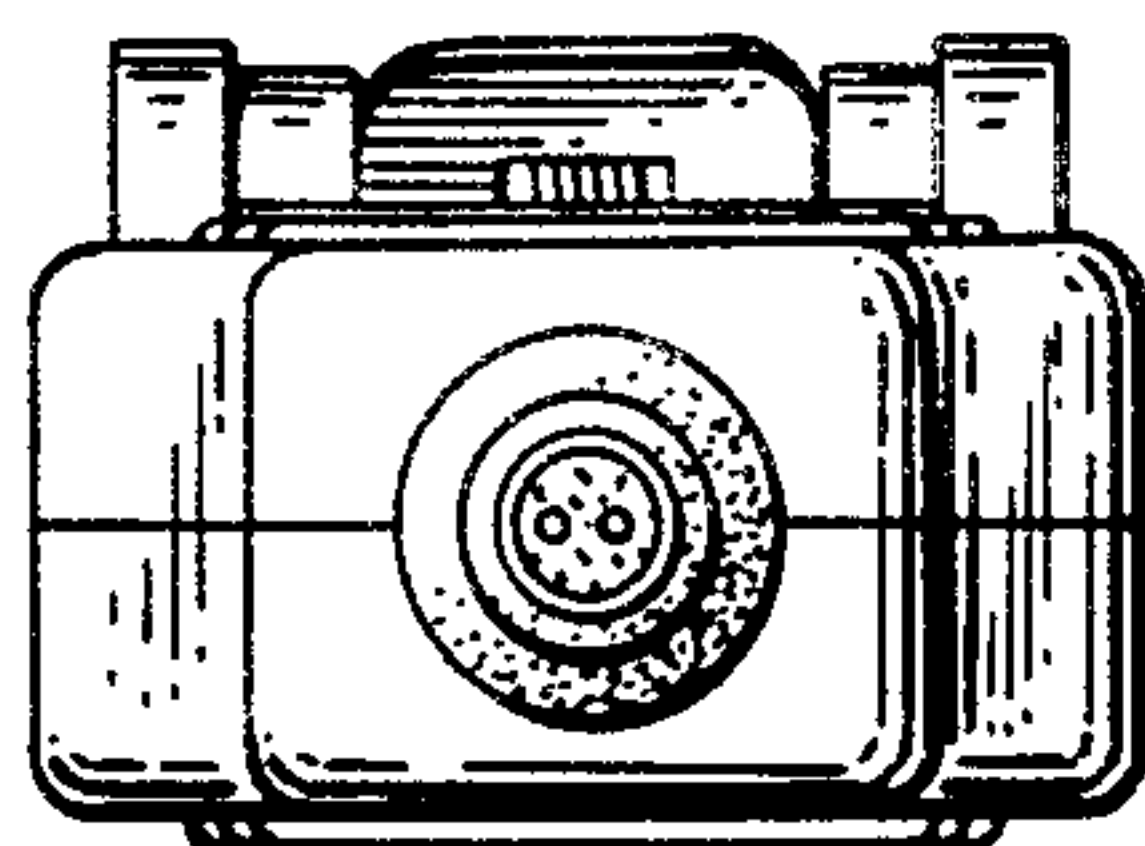
*Fig. 11*



*Fig. 13*



*Fig. 14*



*Fig. 12*