

[54] **MOTOR FOR ROTATING A SPIT**

[75] **Inventor: Hans Wolf, Pompton Lakes, N.J.**

[73] **Assignee: Vernitron Corporation, Lake Success, N.Y.**

[**] **Term: 14 Years**

[21] **Appl. No.: 520,260**

[22] **Filed: Aug. 4, 1983**

[52] **U.S. Cl. D13/2**

[58] **Field of Search D7/402; D13/1, 2, 3; 99/419, 420, 421**

[56] **References Cited**

U.S. PATENT DOCUMENTS

- D. 170,709 10/1953 Lund D13/1
- D. 185,673 7/1959 Lind D13/1
- D. 205,946 10/1966 Painter D13/2

- D. 230,937 3/1974 Bartasevich D13/2
- D. 242,759 12/1976 Painter et al. D13/2
- D. 259,322 5/1981 Lau D13/2
- D. 261,471 10/1981 Koziol D7/402

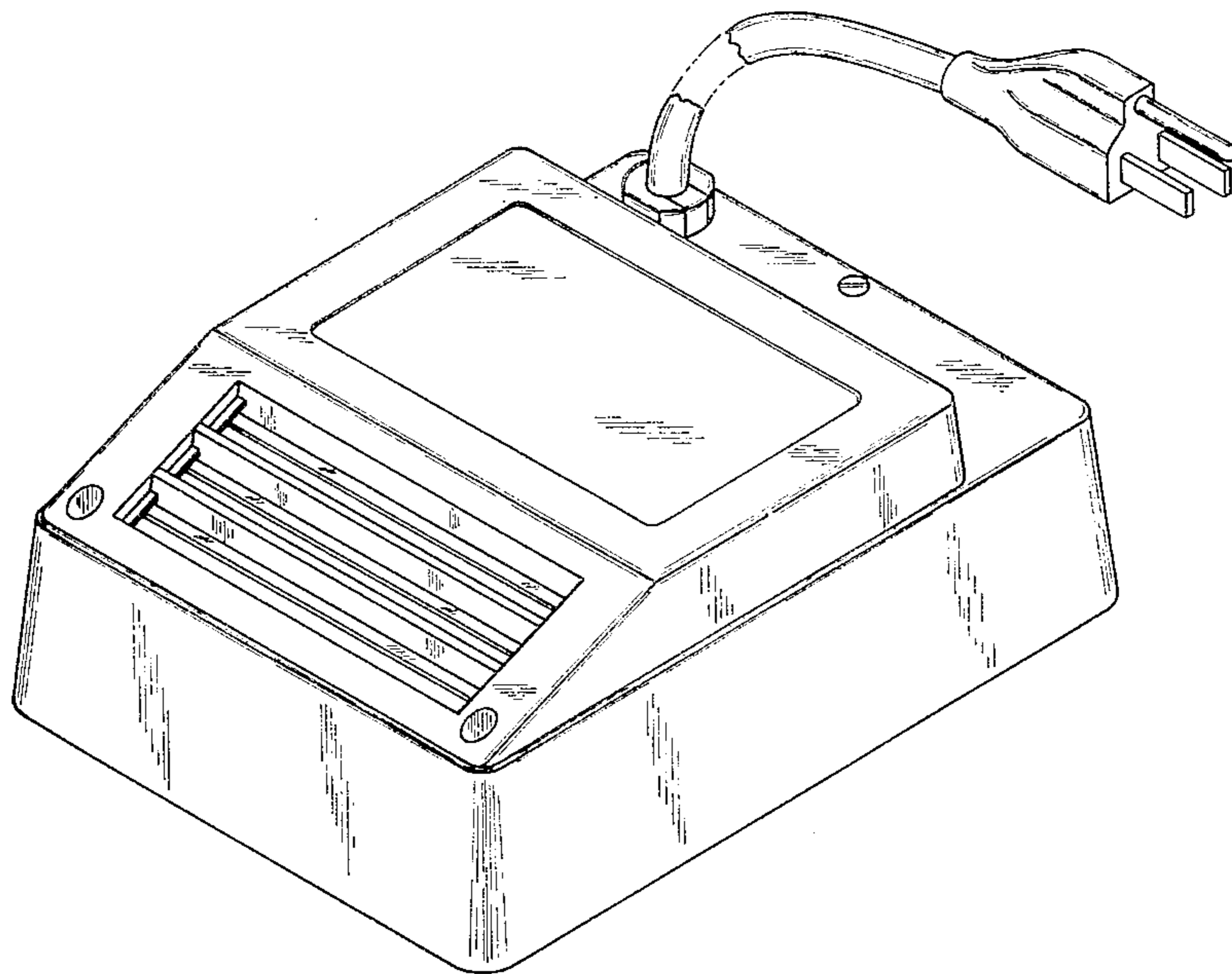
Primary Examiner—Wallace R. Burke
Assistant Examiner—Lynn Wilder
Attorney, Agent, or Firm—Edward H. Loveman

[57] **CLAIM**

The ornamental design of a motor for rotating a spit, as shown and described.

DESCRIPTION

FIG. 1 is a top plan view of a motor for rotating a spit showing my new design;
FIG. 2 is a bottom plan view thereof;
FIG. 3 is a front elevational view thereof;
FIG. 4 is a rear elevational view thereof; and
FIG. 5 is a left side elevational view thereof;
FIG. 6 is a perspective view thereof.



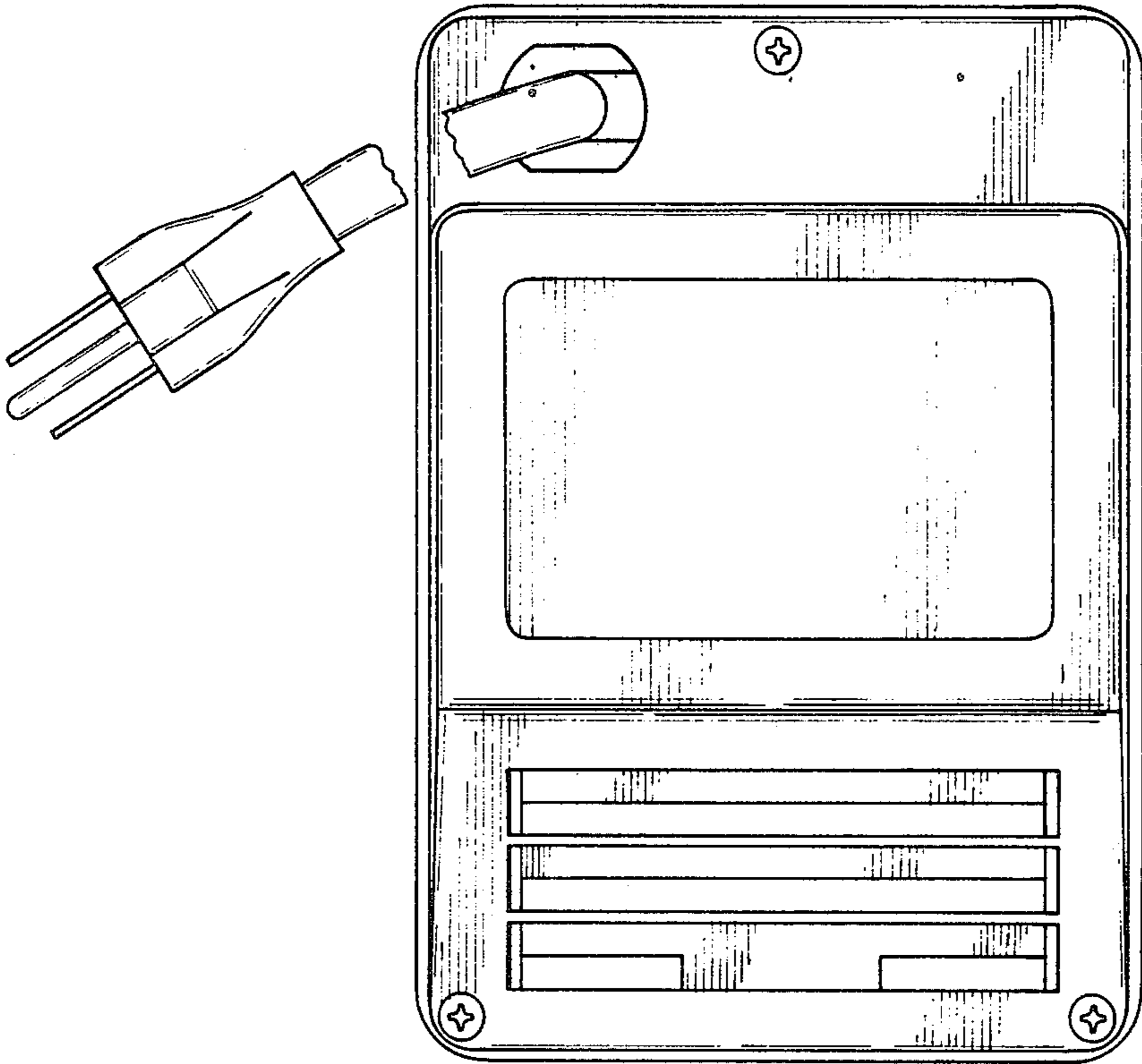


FIG. 1

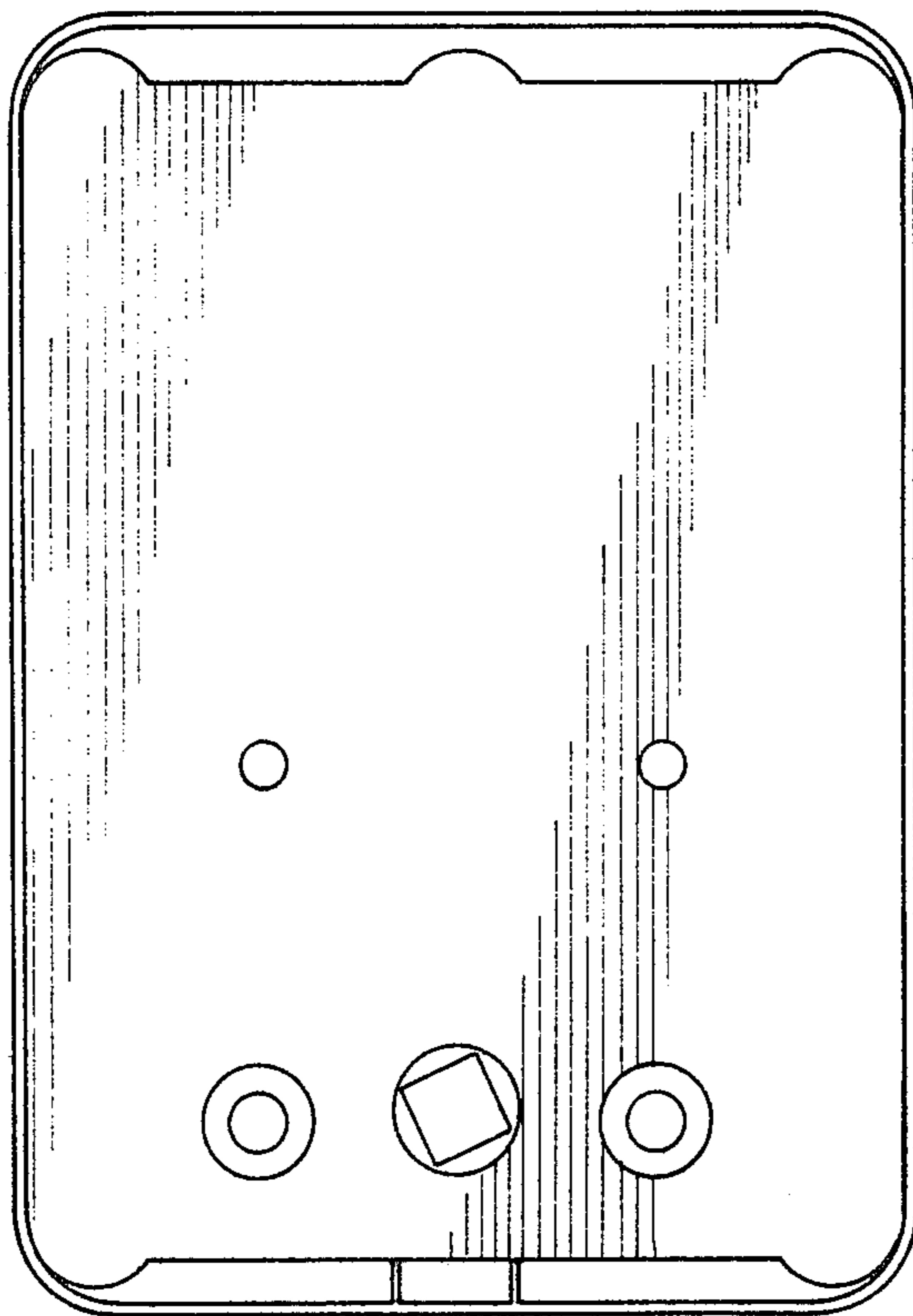


FIG. 2

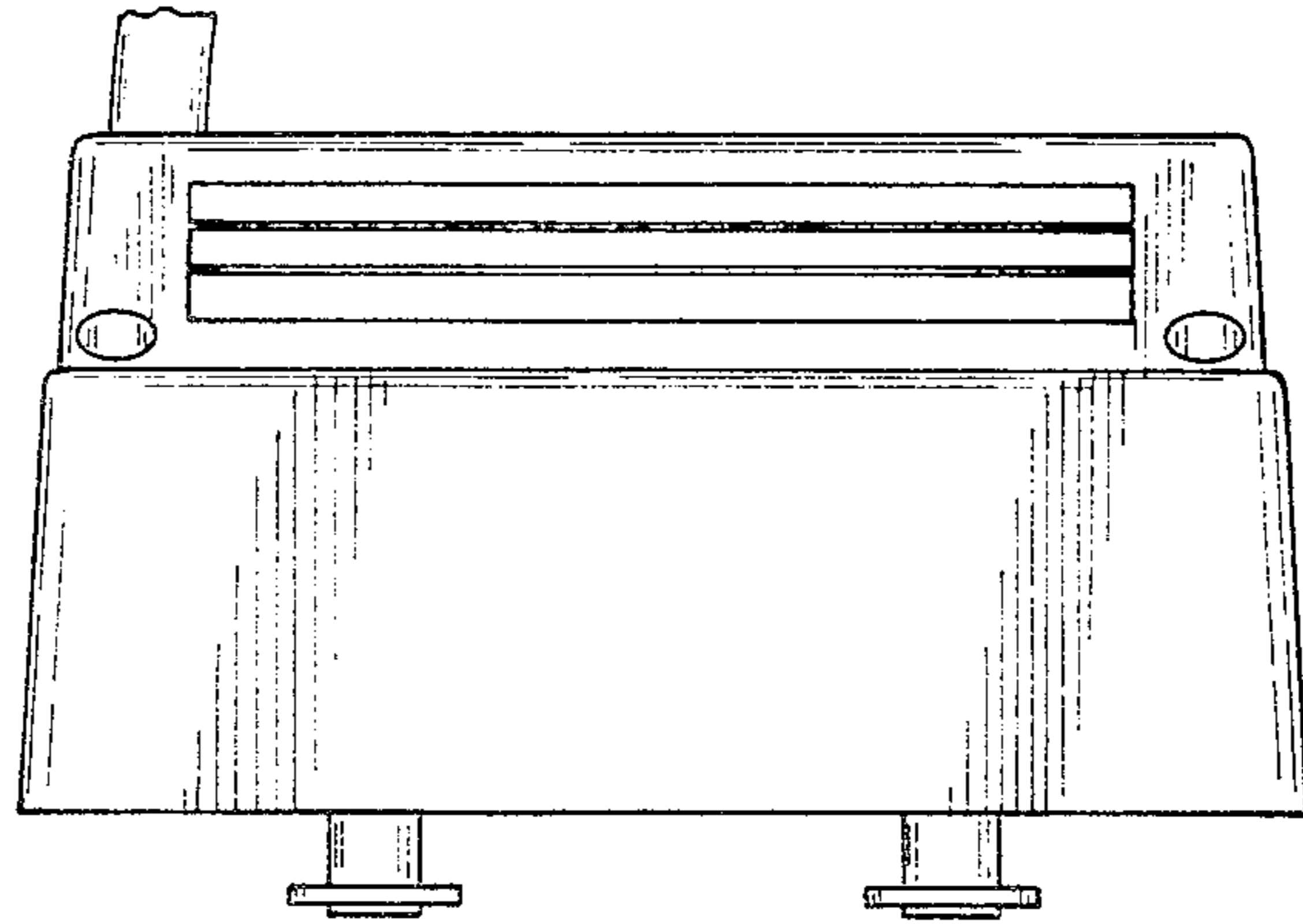


FIG.3

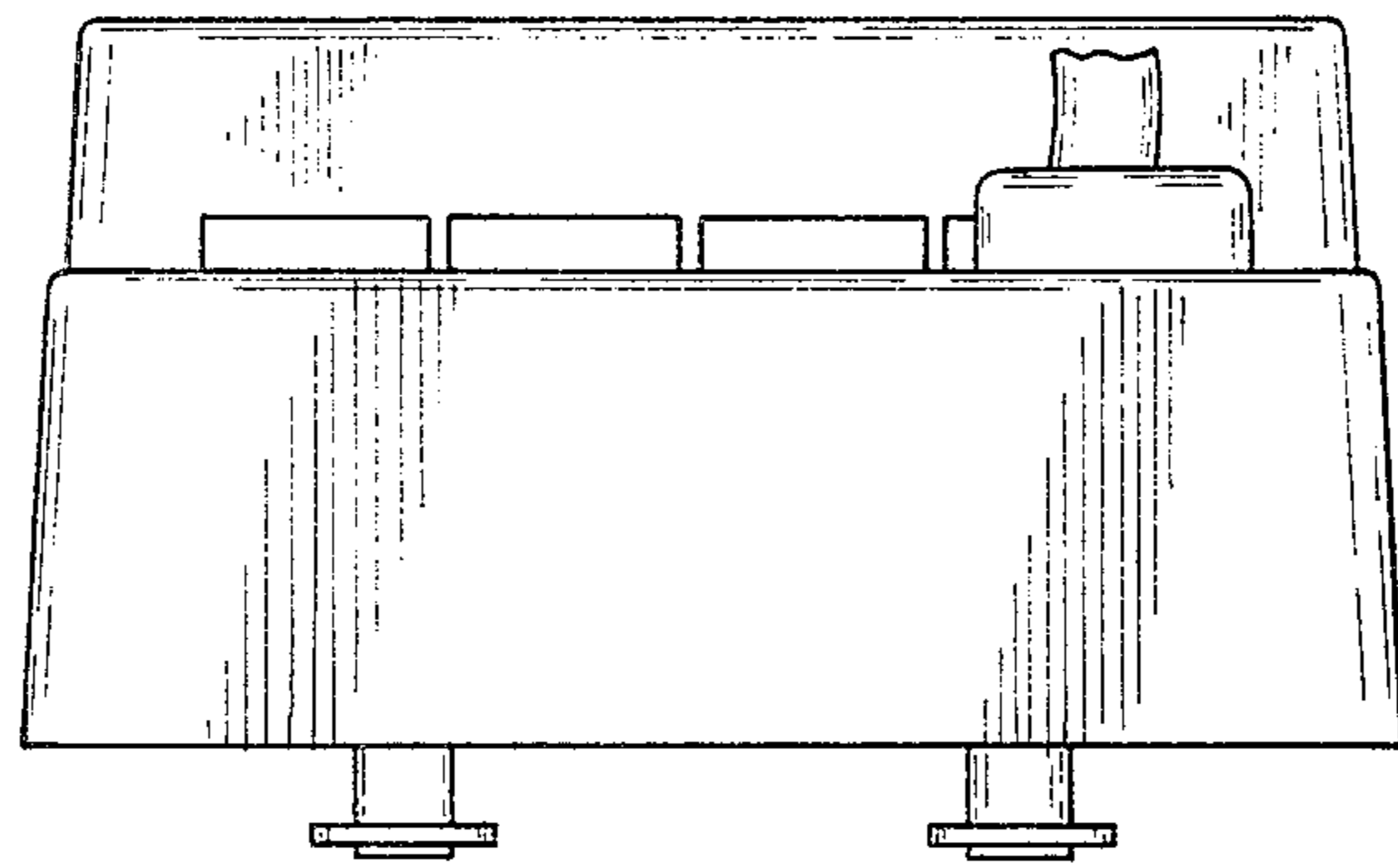


FIG.4

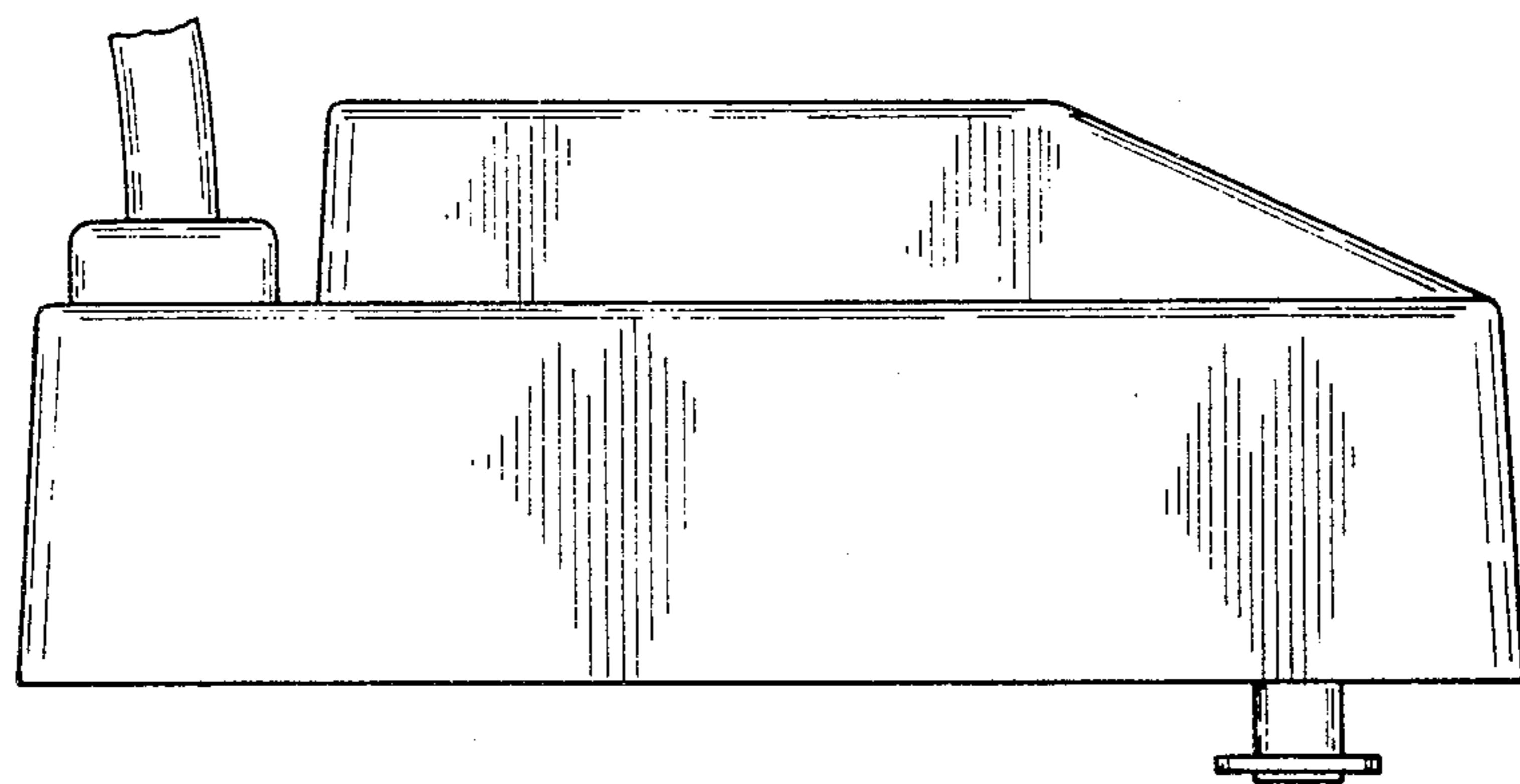


FIG.5

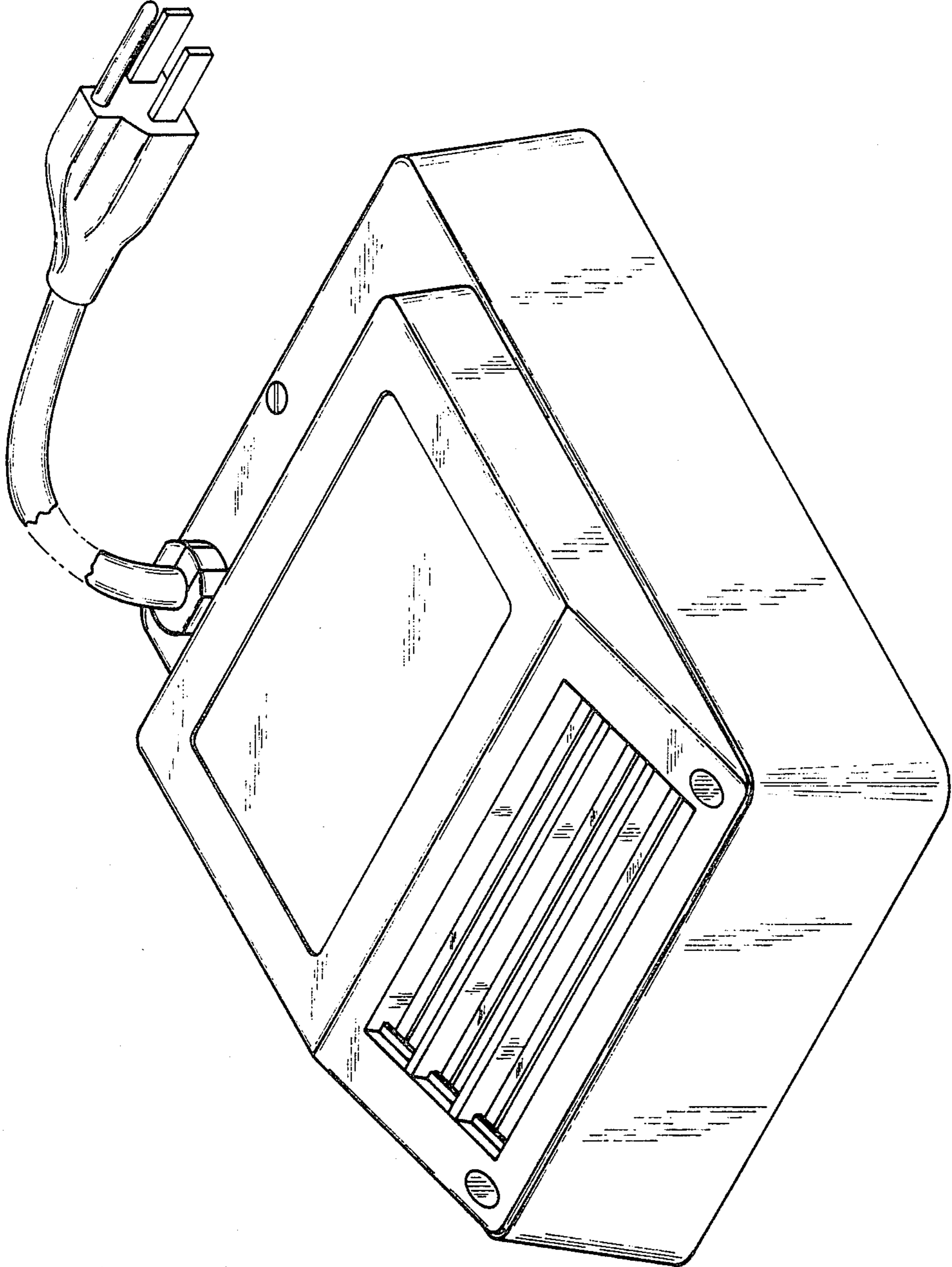


FIG.6