

[54] POSITIVE DISPLACEMENT DIAPHRAGM FLUID METER HOUSING

[75] Inventor: Irwin A. Hicks, Radnor, Pa.

[73] Assignee: The Singer Company, Stamford, Conn.

[**] Term: 14 Years

[21] Appl. No.: 494,597

[22] Filed: May 13, 1983

[52] U.S. Cl. D10/99

[58] Field of Search D10/99; 73/274, 431

[56] References Cited

U.S. PATENT DOCUMENTS

D. 155,145	9/1949	Gilmore	D10/99
D. 192,534	4/1962	Gilmore	D10/99
D. 203,473	1/1966	Shaw et al.	D10/99
2,765,658	10/1956	Rondeau et al.	73/274
3,425,275	2/1969	Russall, Jr. et al.	73/274
3,425,275	2/1969	Russall, Jr. et al.	73/274

FOREIGN PATENT DOCUMENTS

392092	9/1965	Switzerland	73/274
392092	9/1965	Switzerland	73/274

Primary Examiner—Bernard Ansher
Assistant Examiner—Terry Pfeffer
Attorney, Agent, or Firm—David L. Davis; Robert E. Smith; Edward L. Bell

[57] CLAIM

The ornamental design for a positive displacement diaphragm fluid meter housing, as shown and described.

DESCRIPTION

FIG. 1 is a front perspective view of a positive displacement diaphragm fluid meter housing showing my new design;
FIG. 1 is a front perspective view of a positive displacement diaphragm fluid meter housing showing my new design;
FIG. 2 is a front elevational view thereof;
FIG. 3 is a right side elevational view thereof, the opposite side being a mirror image;
FIG. 4 is a top plan view thereof;
FIG. 5 is a bottom plan view thereof; and
FIG. 6 is a rear elevational view thereof.

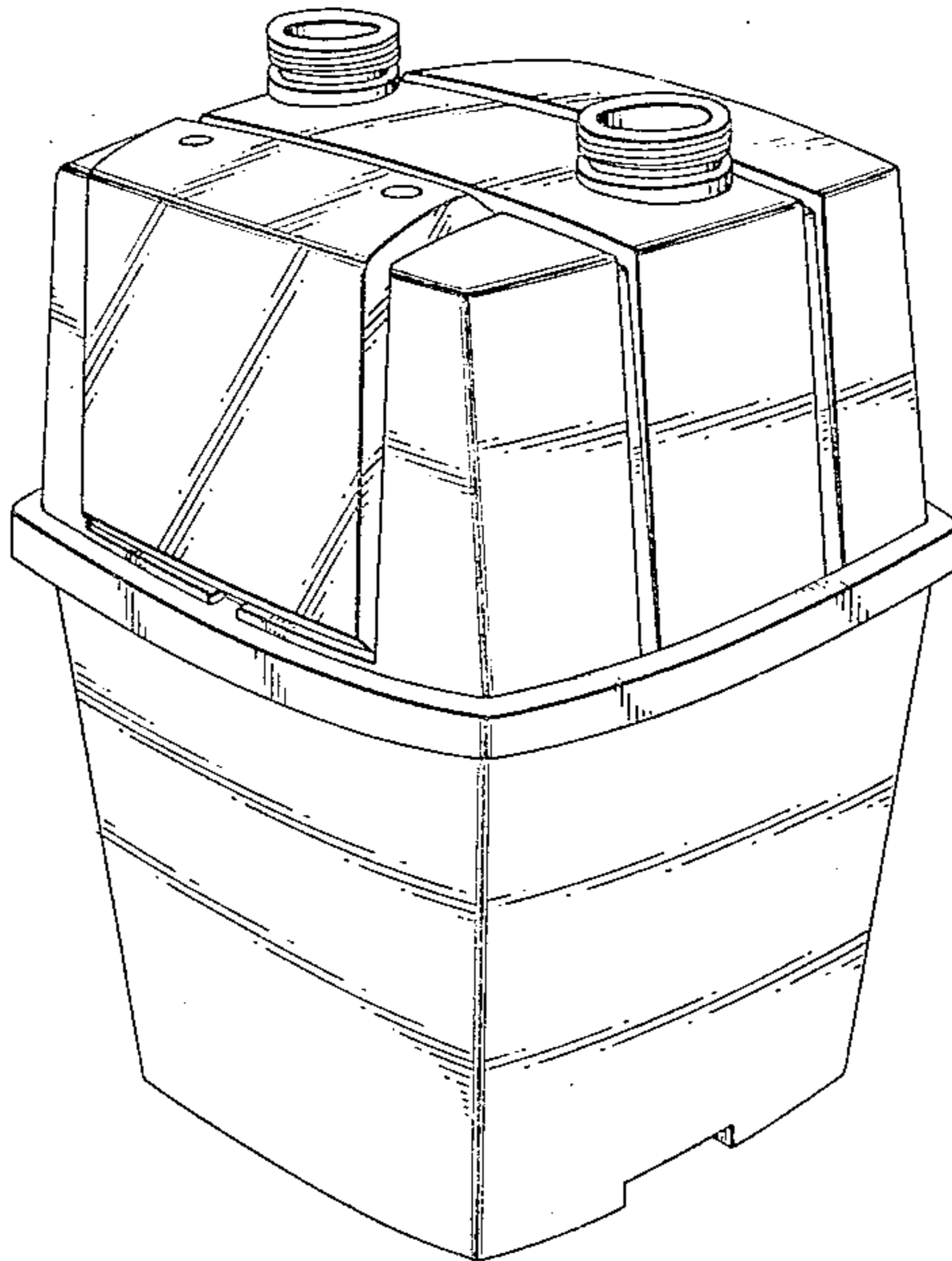


Fig. 1

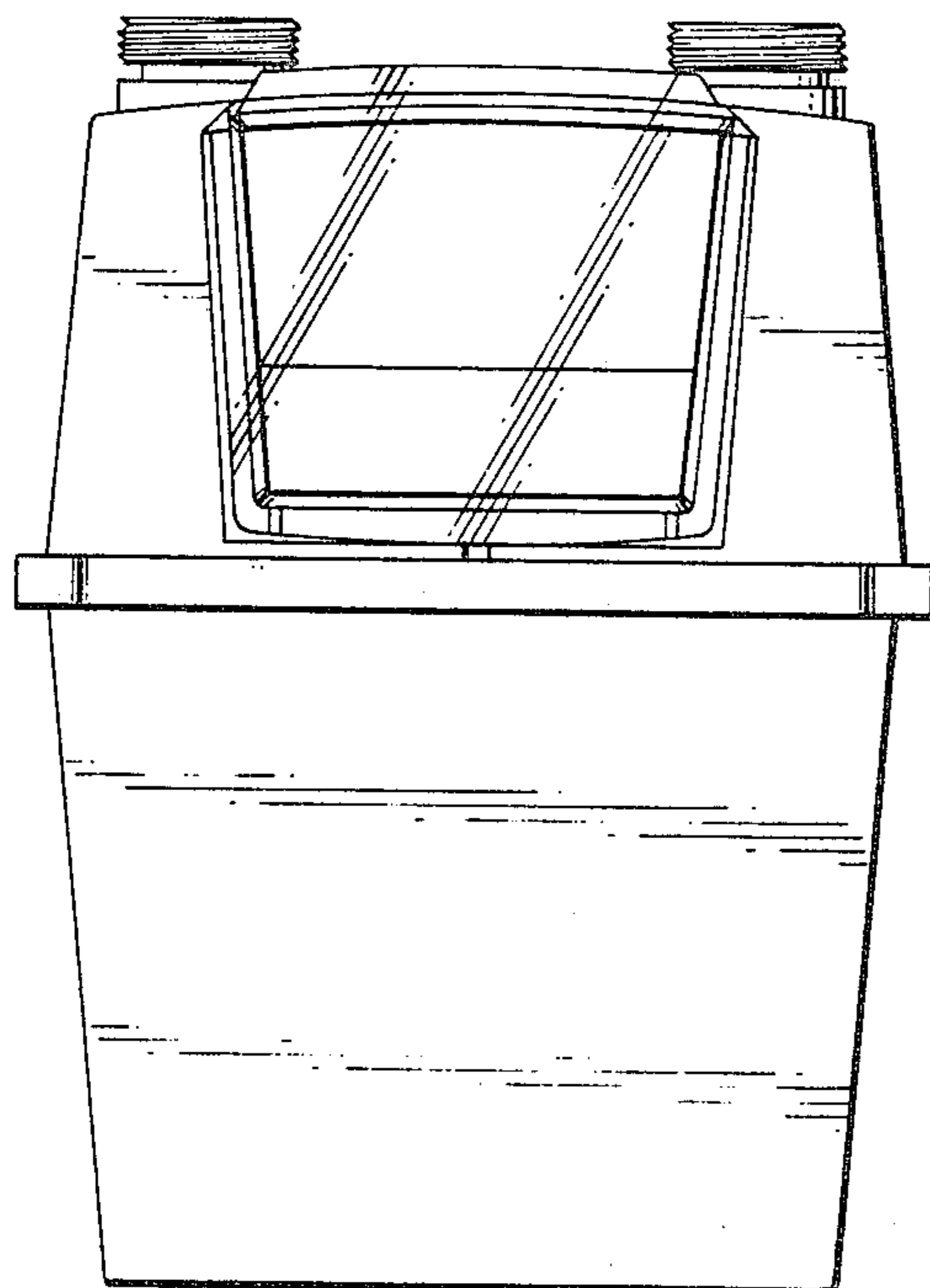
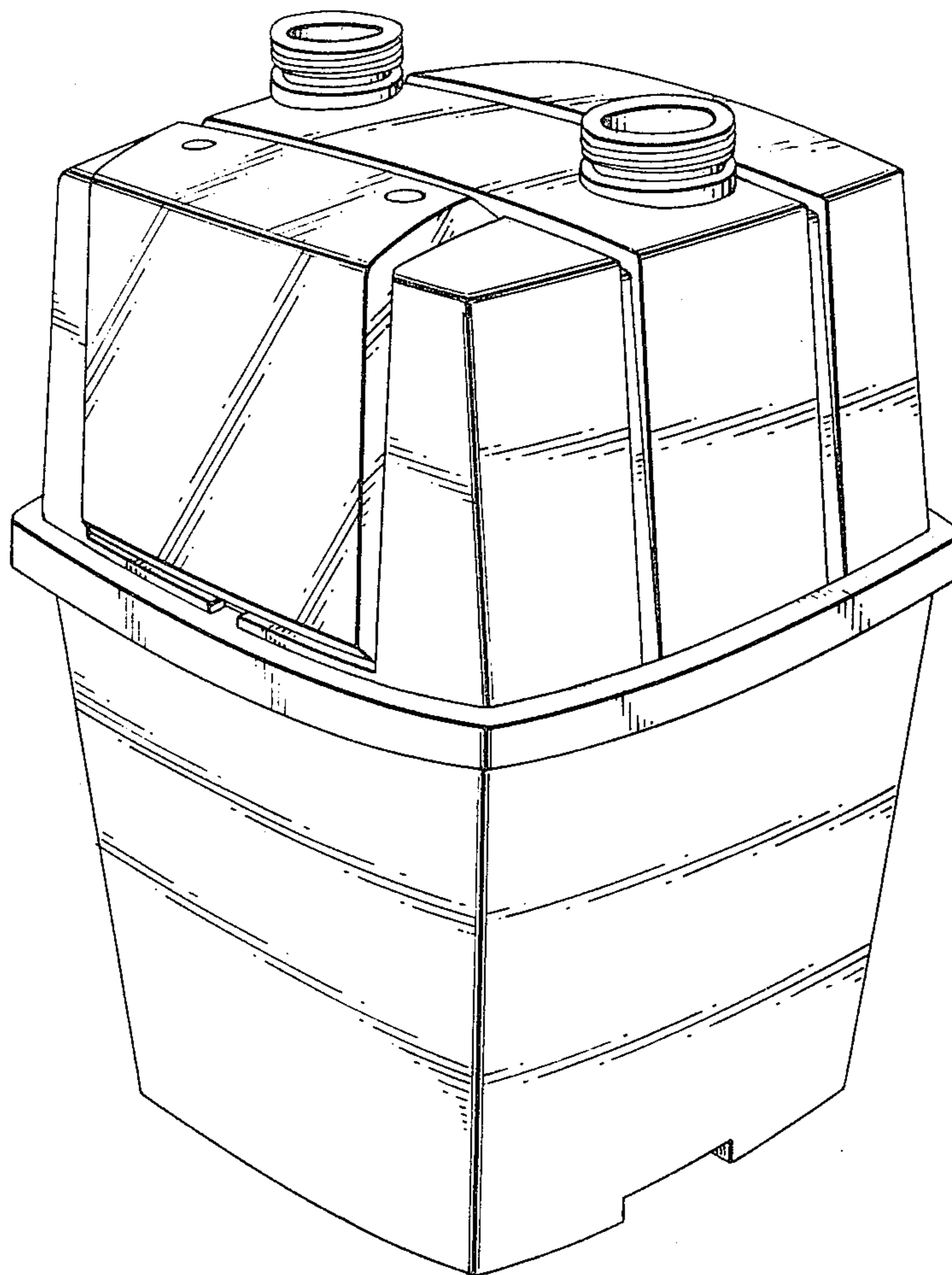


Fig. 2

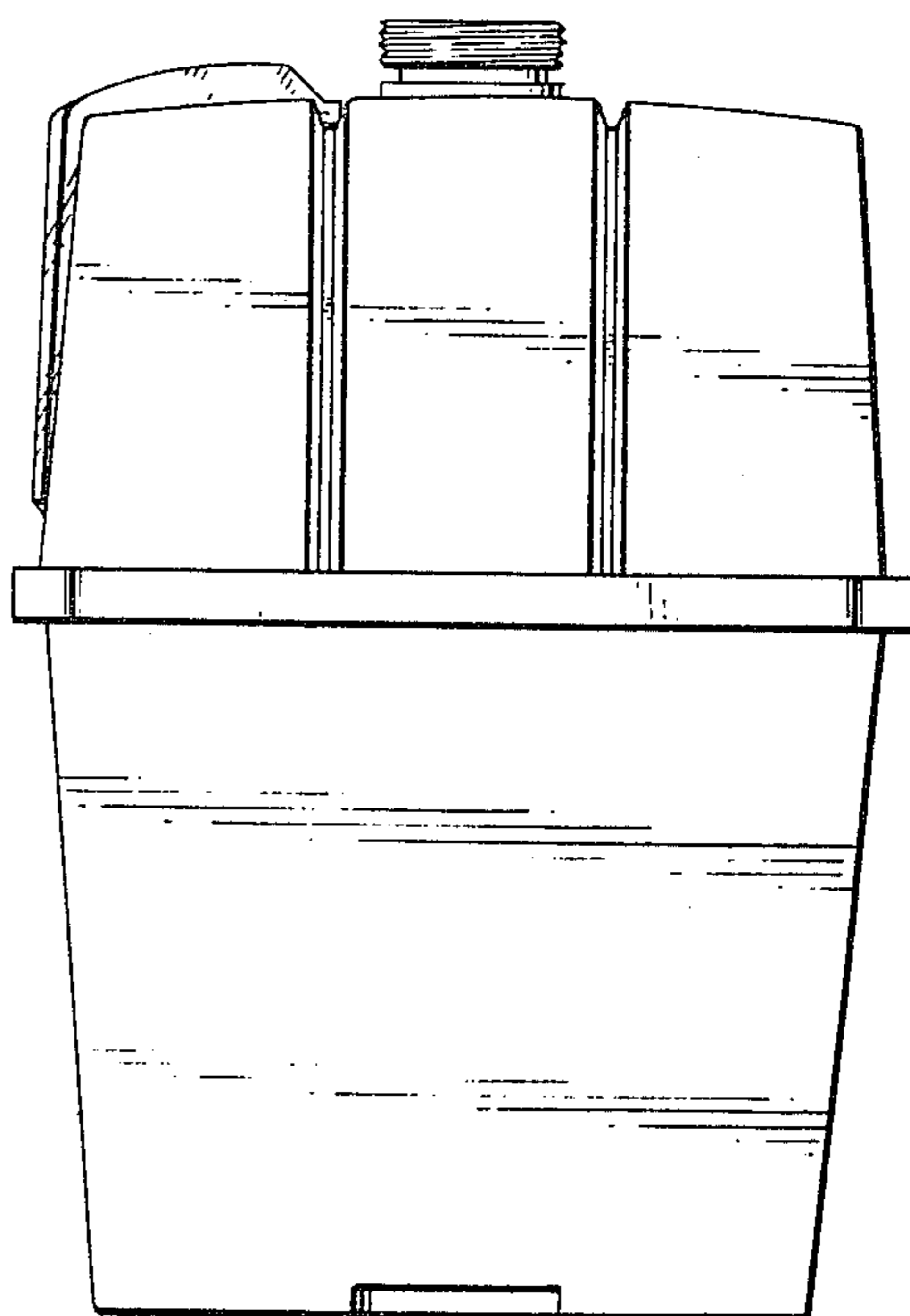


Fig. 3

Fig. 4

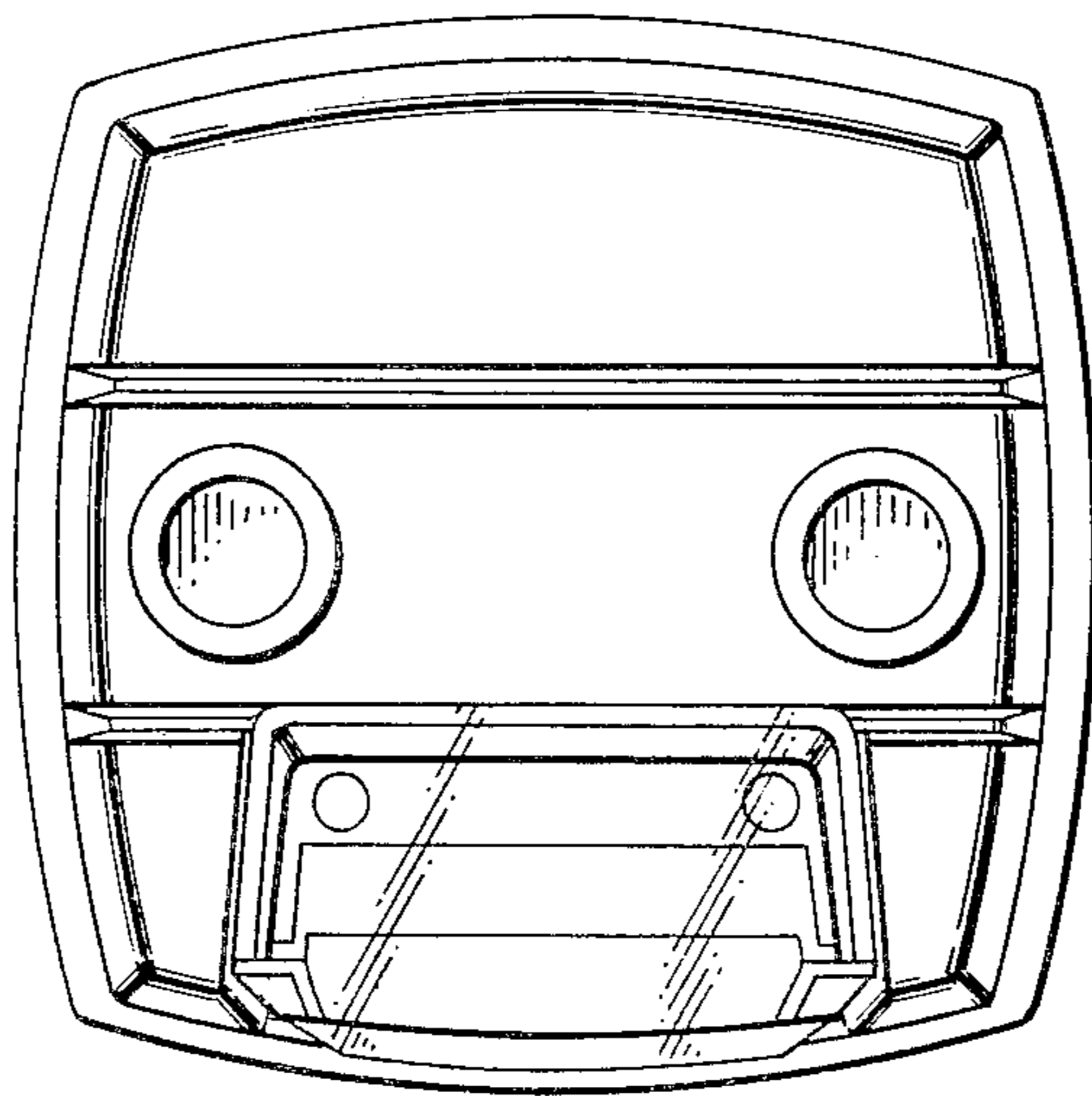


Fig. 5

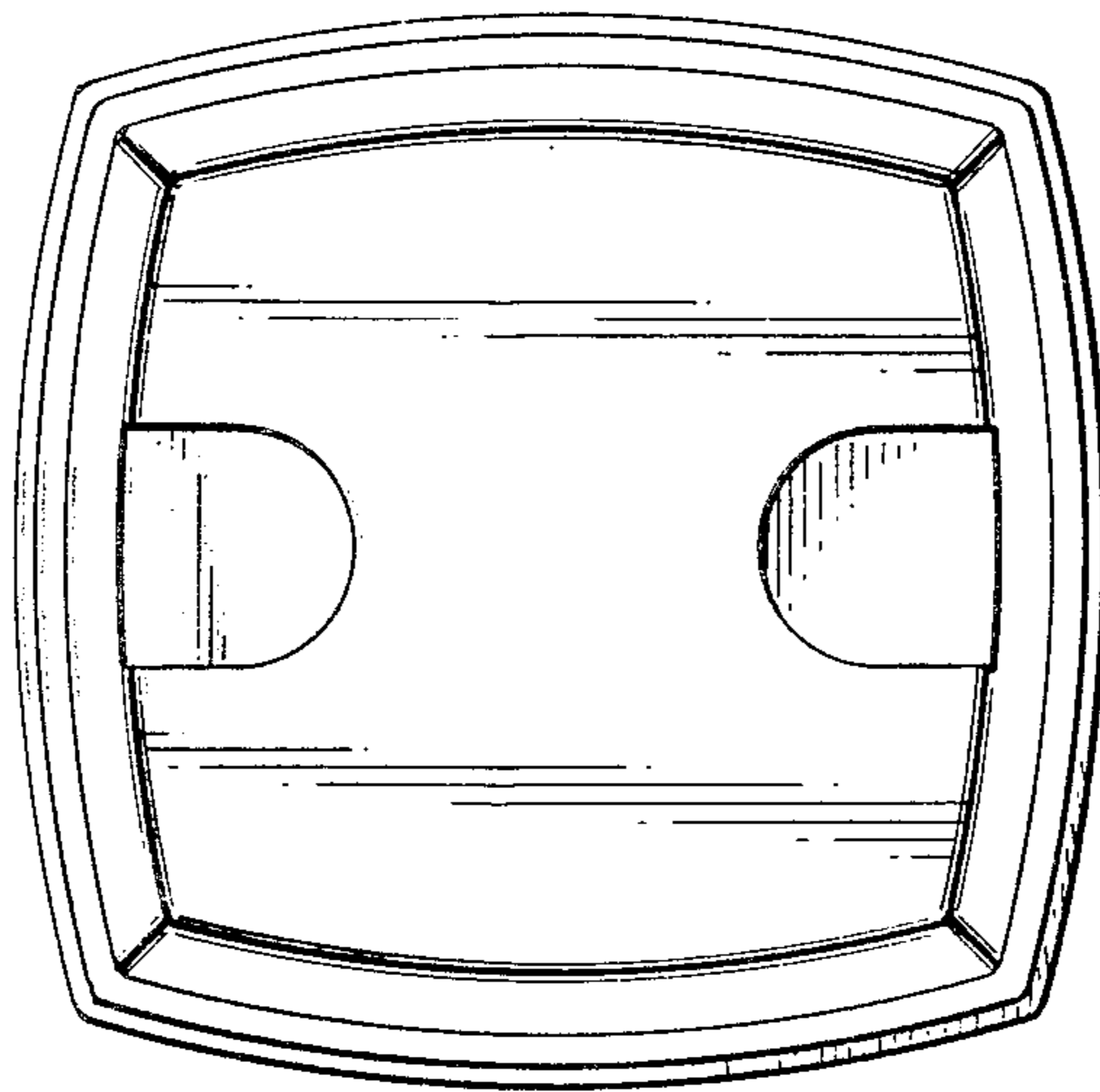


Fig. 6

