

[54] **PROGRAMMABLE MULTIMETER HOUSING**

[75] **Inventor: John P. O'Connell, Halesowen, England**

[73] **Assignee: Fisons plc, Ipswich, England**

[**] **Term: 14 Years**

[21] **Appl. No.: 442,695**

[22] **Filed: Nov. 18, 1982**

[52] **U.S. Cl. D10/78**

[58] **Field of Search D13/40, 41; D14/100, D14/107, 114; 324/72.5, 151, 156; D10/75, 78**

[56] **References Cited**

U.S. PATENT DOCUMENTS

- D. 192,116 1/1962 Inhelder D10/75
- D. 260,762 9/1981 Peroni D13/75
- 3,757,218 9/1973 Oliverio et al. 324/156

FOREIGN PATENT DOCUMENTS

2043358 10/1980 United Kingdom 324/156

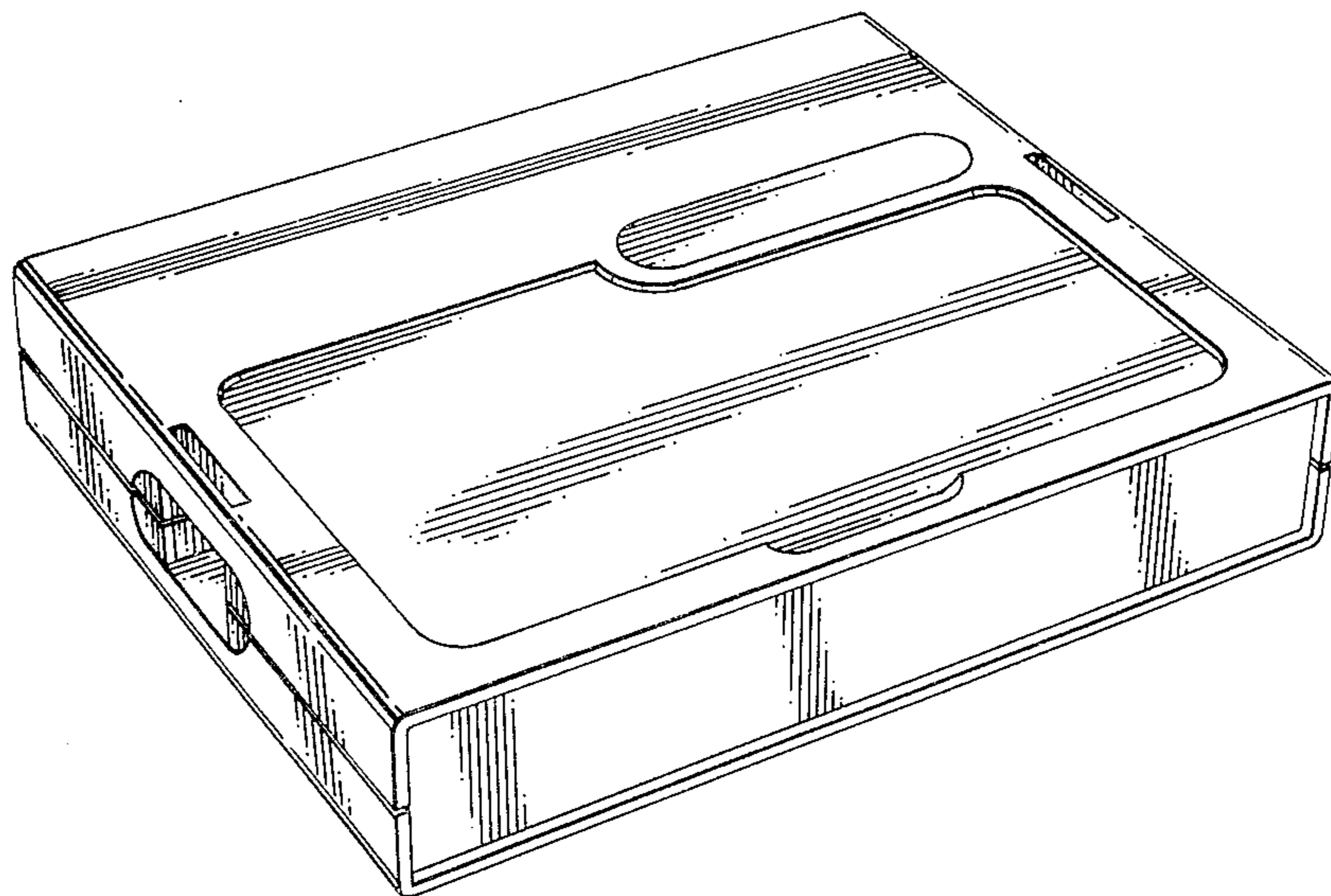
Primary Examiner—Susan J. Lucas
Attorney, Agent, or Firm—Marshall, O'Toole, Gerstein, Murray & Bicknell

[57] **CLAIM**

The ornamental design for a programmable multimeter housing, as shown and described.

DESCRIPTION

FIG. 1 is a perspective view from above and one side of a programmable multimeter housing showing my new design;
FIG. 2 is a top plan view thereof on an enlarged scale;
FIG. 3 is a bottom plan view thereof on an enlarged scale;
FIG. 4 is a front elevational view thereof on an enlarged scale;
FIG. 5 is a rear elevational view thereof on an enlarged scale;
FIG. 6 is a side elevational view thereof on an enlarged scale, the opposite side being a mirror image.



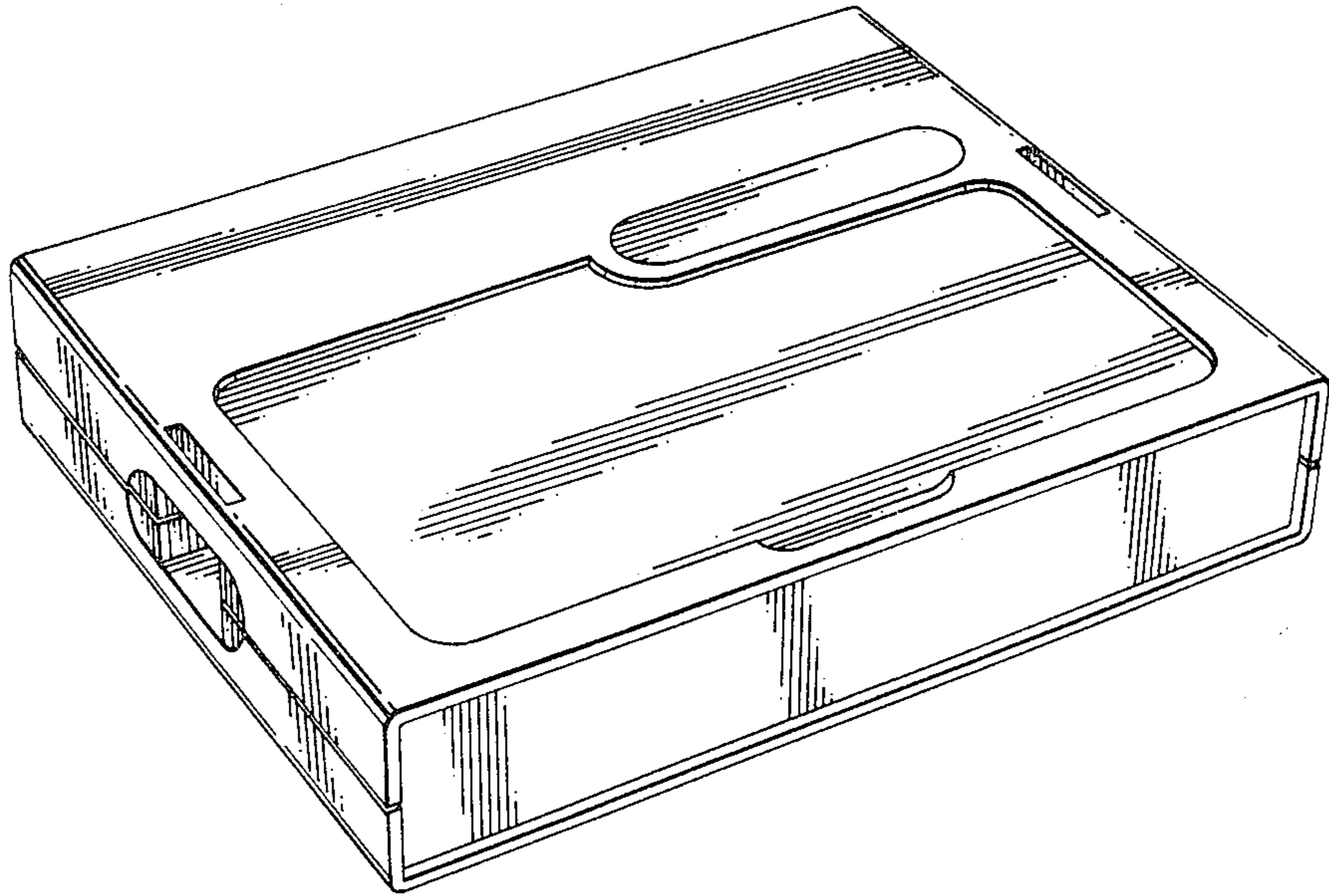


Fig. 1.

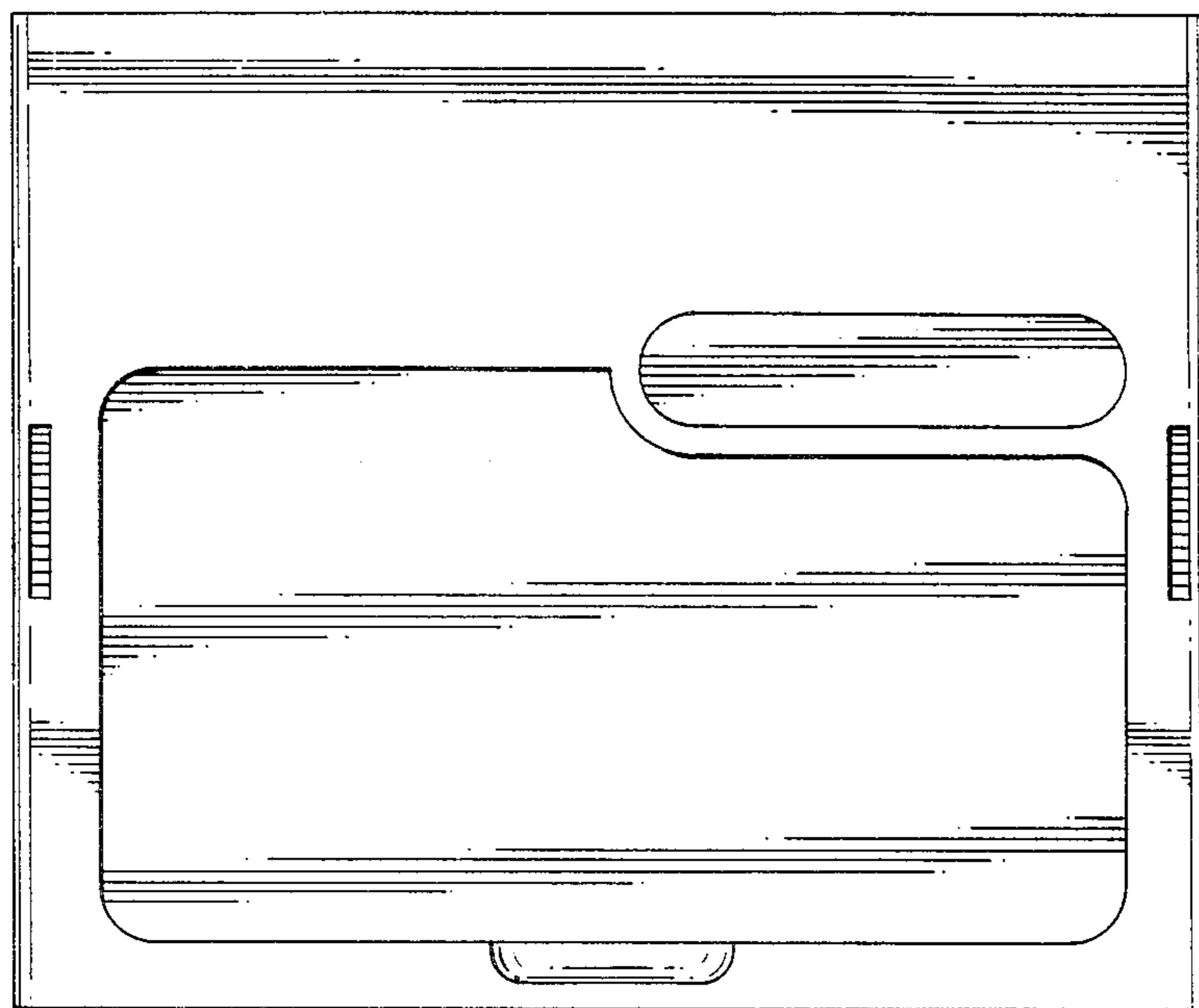


Fig. 2.

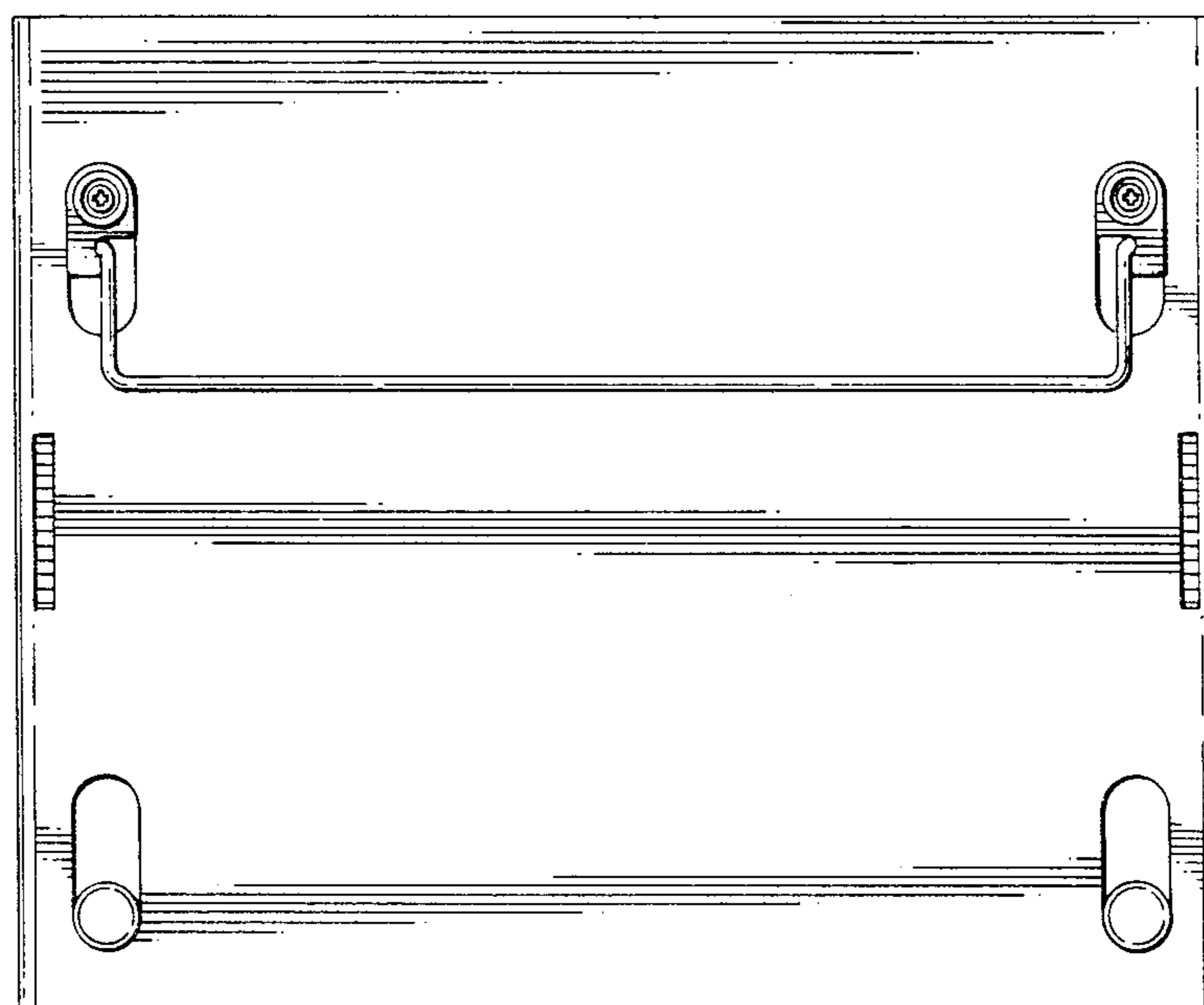


Fig. 3.

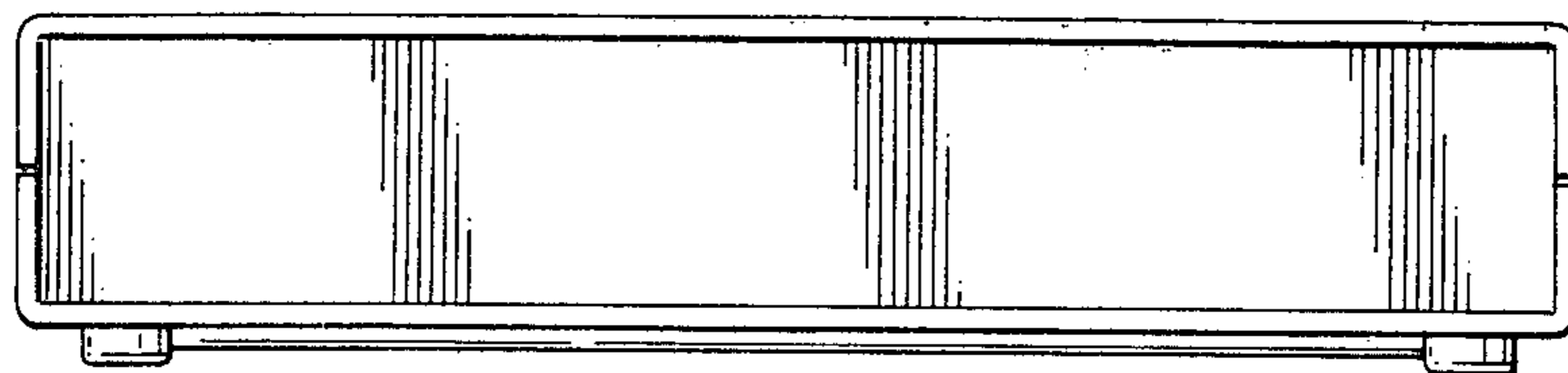


Fig. 4.

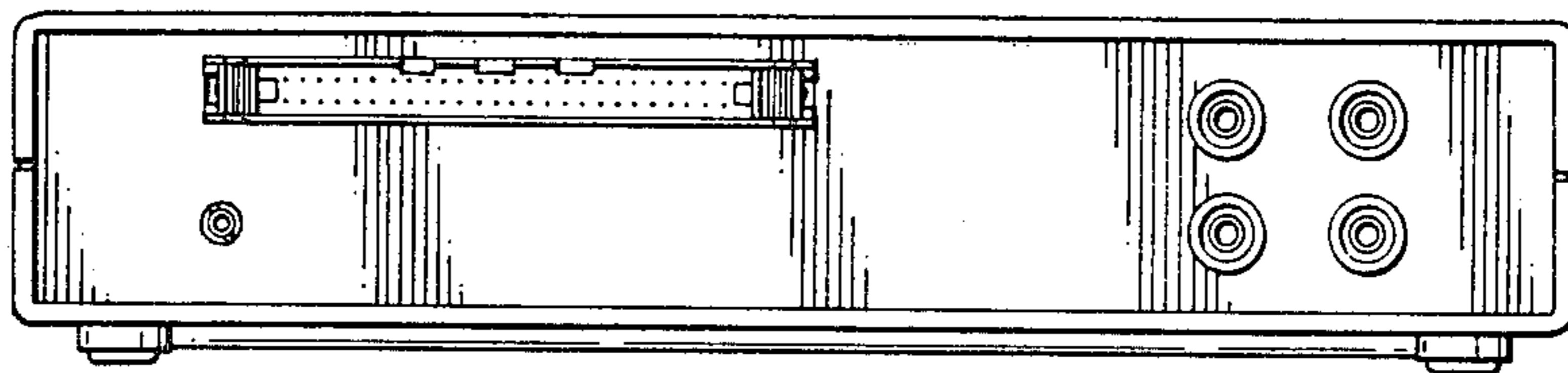


Fig. 5.

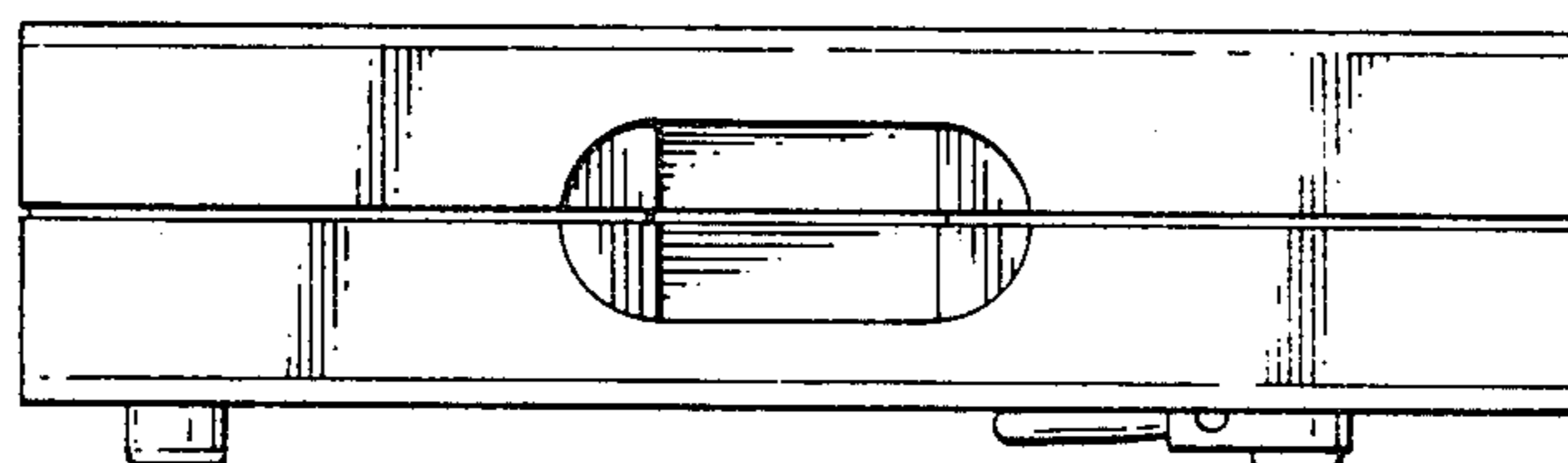


Fig. 6.